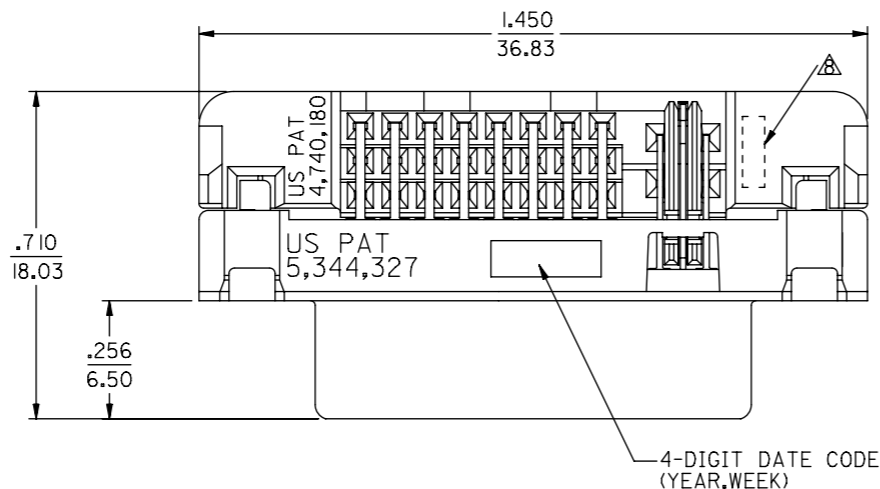


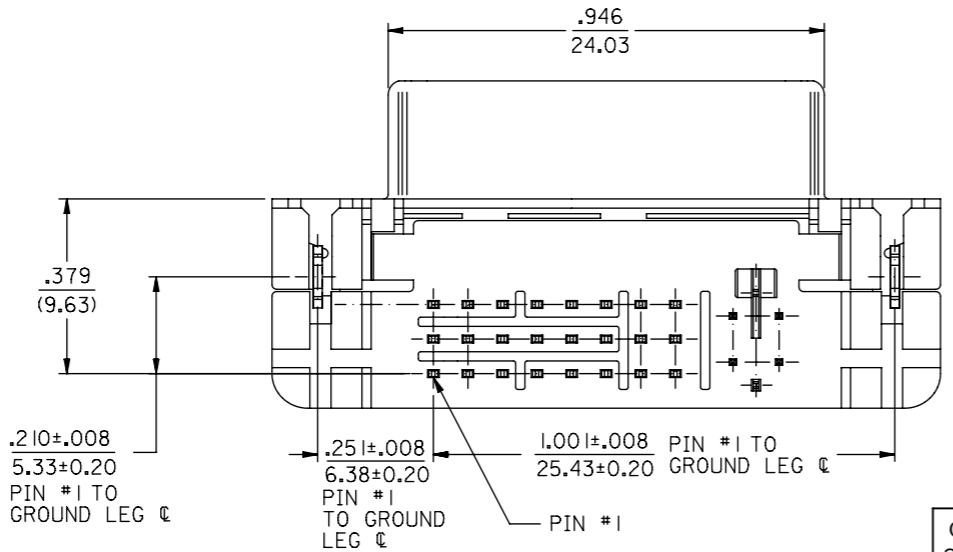
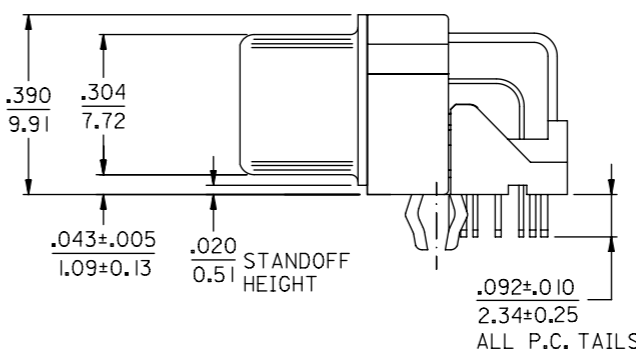
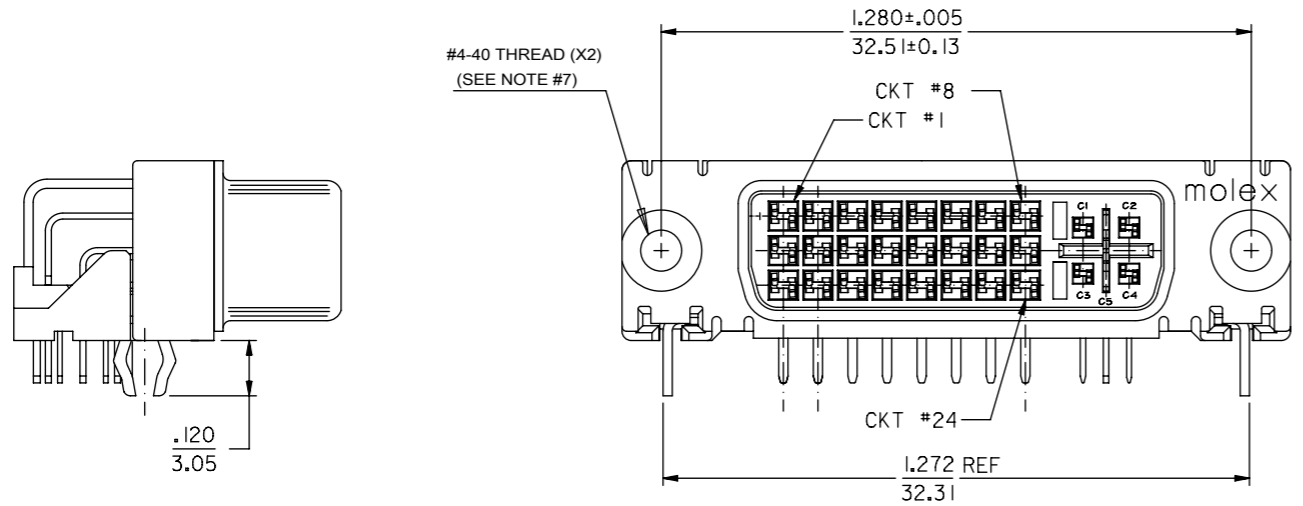


**THE DATASHEET OF**  
**74320-9010**





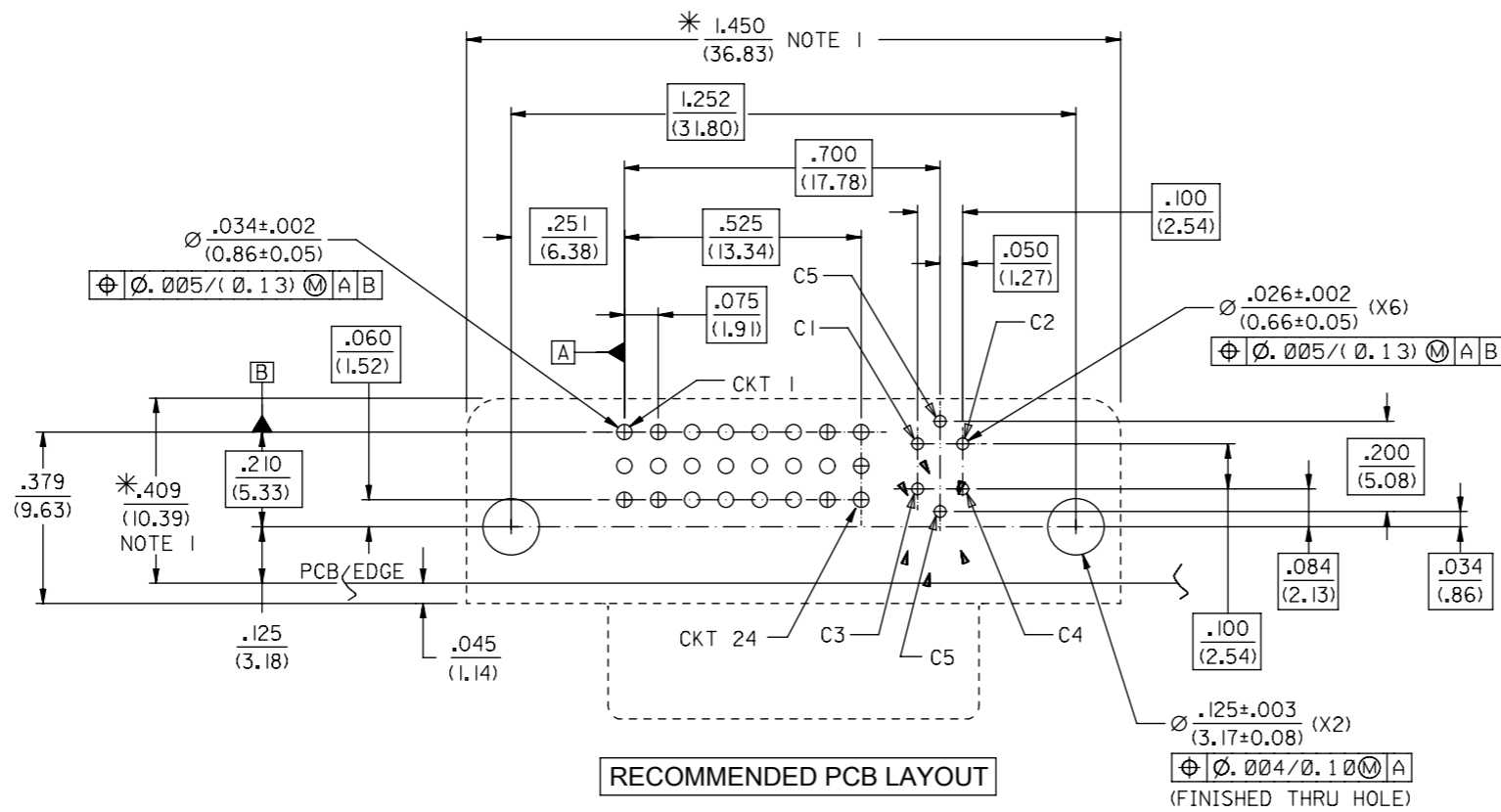
- NOTES:
- MATERIAL:  
SHIELD: DEEP DRAW STEEL;  
HOUSING: LCP, UL94V-0, NATURAL (WHITE);  
TAIL ALIGNER: LCP, UL94V-0, NATURAL (WHITE);  
CONTACT: COPPER ALLOY.
  - PLATING: SEE SHEET 2.
  - PRODUCT CONFORMS TO MOLEX PRODUCT SPECIFICATION NUMBER PS-74320-001.
  - SEE SHEET 2 FOR RECOMMENDED PANEL CUT-OUT AND P.C.B. LAYOUT.
  - PARTS WILL BE PACKAGED IN TRAYS PER PK-74320-010.
  - PRODUCT CONFORMS TO DDWG DVI SPECIFICATION. REFER TO THIS SPECIFICATION FOR CONNECTOR MATING DIMENSIONS.
  - RECOMMENDED MOUNTING HARDWARE IS MOLEX P/N 71781-0001 OR 82007-0300 OR 88780-6066. REFER TO PRODUCT SPECIFICATION NUMBER PS-74320-001 FOR THIS APPLICATION TORQUE REQUIREMENT FOR ASSMBLING MOUNTING HARDWARE.
- ⚠ CAVITY ID AND MANUFACTURING PLANT CODE.



74320-9014	2
74320-9010	1
PART NUMBER	PLATING OPTION

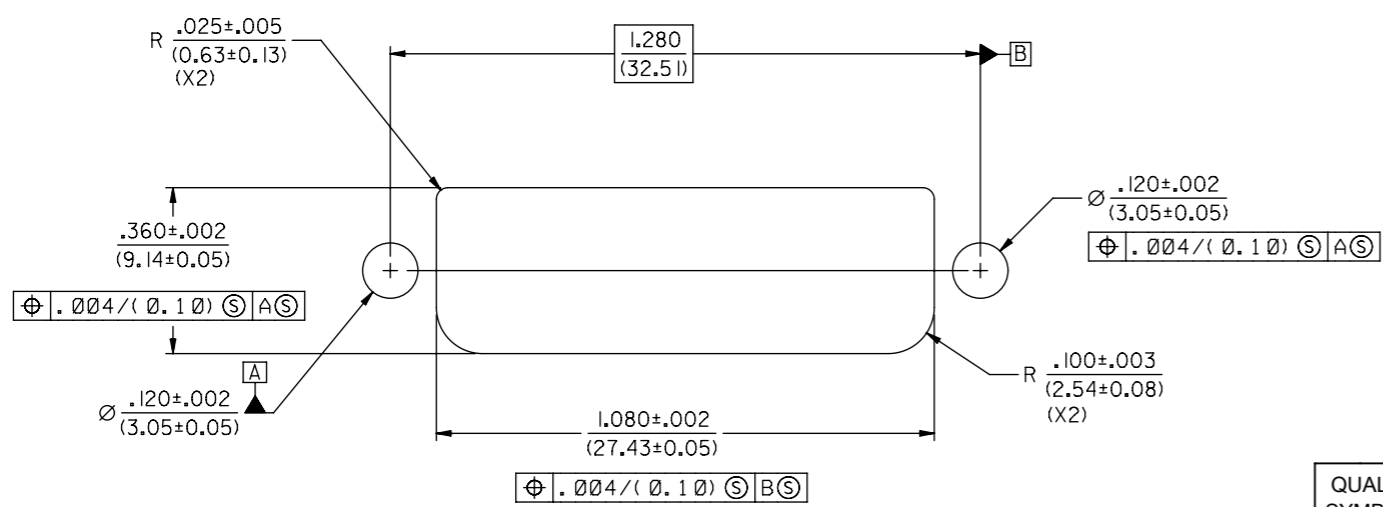
THIS DRAWING CONTAINS INFORMATION THAT IS PROPRIETARY TO MOLEX ELECTRONIC TECHNOLOGIES, LLC AND SHOULD NOT BE USED WITHOUT WRITTEN PERMISSION												
<b>QUALITY SYMBOLS</b> FA = 0 FE = 0 FB = 0 FV = 0 FC = 0 FX = 0 FS = 0 FT = 0	<b>CHANGE SHELL PLATING</b> EC NO: 118825 DRWN: XQZHANG CHK'D: XQZHANG REV APPR: AYIN	GENERAL TOLERANCES (UNLESS SPECIFIED)		DIMENSION UNITS	SCALE							
		ANGULAR TOL ± 1.0 °		INCH	1:1							
		4 PLACES ± 0.01	DRWN BY		DATE		<b>DVI-I RIGHT ANGLE RECEPTACLE CONNECTOR, W/FORKLOCK</b>					
		3 PLACES ± 0.01	XJSONG		2011/08/18							
		2 PLACES ± 0.01	CHK'D BY		DATE		<b>PRODUCT CUSTOMER DRAWING</b>					
1 PLACE ±	XJSONG		2011/08/18									
0 PLACES ±	APPR BY		DATE		SERIES: 74320 MATERIAL NUMBER: SEE TABLE CUSTOMER: GENERAL MARKET							
DRAFT WHERE APPLICABLE MUST REMAIN WITHIN DIMENSIONS		RZHANG		2011/08/22								
		DRAWING SIZE	THIRD ANGLE PROJECTION			DOCUMENT NUMBER		DOC TYPE	DOC PART	SHEET NUMBER		
		A3				SD-74320-026		PSD	000	1 OF 2		

RELEASE STATUS	RELEASE DATE
----------------	--------------



RECOMMENDED PCB LAYOUT

COMPONENT SIDE OF PCB SHOWN  
\* THESE DIMENSIONS REPRESENT CONNECTOR OVERLAY ON PCB.



RECOMMENDED PANEL CUT-OUT  
PANEL THICKNESS: .030"-.040"

PLATING OPTIONS:

PLATING OPTION #1:

OUT SHIELD -- 60u" (1.5um) MIN. SOLDERABLE NICKEL OVER  
30u" (0.75um) MIN. COPPER OVERALL.  
.075" (1.91mm) CONTACTS -- 30u" (0.75um) MIN. SELECT GOLD AND  
100u" (2.50um) MIN. SELECT PURE TIN  
OVER 50u" (1.27um) MIN. NICKEL OVERALL.

PLATING OPTION #2:

OUT SHIELD -- 60u" (1.5um) MIN. SOLDERABLE NICKEL OVER  
30u" (0.75um) MIN. COPPER OVERALL.  
.075" (1.91mm) CONTACTS -- SELECT GOLD FLASH AND  
100u" (2.50um) MIN. SELECT PURE TIN  
OVER 50u" (1.27um) MIN. NICKEL OVERALL.

THIS DRAWING CONTAINS INFORMATION THAT IS PROPRIETARY TO MOLEX ELECTRONIC TECHNOLOGIES, LLC AND SHOULD NOT BE USED WITHOUT WRITTEN PERMISSION																																	
QUALITY SYMBOLS	CHANGE SHELL PLATING	EC NO: 118825	DRWN: XQZHANG	CHK'D: XQZHANG	APPR: AYIN	GENERAL TOLERANCES (UNLESS SPECIFIED)		DIMENSION UNITS	SCALE																								
						ANGULAR TOL ± 1.0 °		INCH	1:1																								
▽A = 0	▽B = 0	▽C = 0	▽D = 0	▽E = 0	▽F = 0	4 PLACES ± 0.01	3 PLACES ± 0.01	2 PLACES ± 0.01	1 PLACE ±																								
▽G = 0	▽H = 0	▽I = 0	▽J = 0	▽K = 0	▽L = 0	0 PLACES ±	DRAFT WHERE APPLICABLE MUST REMAIN WITHIN DIMENSIONS		DRAWING SIZE																								
▽M = 0	▽N = 0	▽O = 0	▽P = 0	▽Q = 0	▽R = 0	DRAFT WHERE APPLICABLE MUST REMAIN WITHIN DIMENSIONS		A3	THIRD ANGLE PROJECTION																								
▽S = 0	▽T = 0	▽U = 0	▽V = 0	▽W = 0	▽X = 0	DRAFT WHERE APPLICABLE MUST REMAIN WITHIN DIMENSIONS		<table border="1"> <tr> <td colspan="2">DRWN BY</td> <td colspan="2">DATE</td> </tr> <tr> <td colspan="2">XJSONG</td> <td colspan="2">2011/08/18</td> </tr> <tr> <td colspan="2">CHK'D BY</td> <td colspan="2">DATE</td> </tr> <tr> <td colspan="2">XJSONG</td> <td colspan="2">2011/08/18</td> </tr> <tr> <td colspan="2">APPR BY</td> <td colspan="2">DATE</td> </tr> <tr> <td colspan="2">RZHANG</td> <td colspan="2">2011/08/22</td> </tr> </table>		DRWN BY		DATE		XJSONG		2011/08/18		CHK'D BY		DATE		XJSONG		2011/08/18		APPR BY		DATE		RZHANG		2011/08/22	
DRWN BY		DATE																															
XJSONG		2011/08/18																															
CHK'D BY		DATE																															
XJSONG		2011/08/18																															
APPR BY		DATE																															
RZHANG		2011/08/22																															
RELEASE STATUS		RELEASE DATE		SERIES		MATERIAL NUMBER		CUSTOMER																									
				74320		SEE TABLE		GENERAL MARKET																									
DOCUMENT NUMBER				DOC TYPE		DOC PART		SHEET NUMBER																									
SD-74320-026				PSD		000		2 OF 2																									



DVI-I RIGHT ANGLE  
RECEPTACLE CONNECTOR, W/FORKLOCK

PRODUCT CUSTOMER DRAWING

## Looking for pricing, stock, or lifecycle information?

Click below to explore more details on WIN SOURCE:

 [View 74320-9010 on WIN SOURCE](#)

 [Molex, LLC Information](#)

## Optimize Your Supply Chain with WIN SOURCE Solutions

-  Global Sourcing Solution
-  Obsolete Management
-  Cost Control Management
-  Shortage Management
-  Alternative Solution
-  Excess Inventory Management