



**THE DATASHEET OF  
D6L90 F2 LFS**



# D6 SPST Momentary Key Switches

## Features/Benefits

- Easy X, Y coding on single side PCB
- Positive tactile feedback
- High temperature
- Wide variety of colors & styles
- RoHS compliant and compatible

## Typical Applications

- Video
- Electronic games
- Appliances



## Construction

FUNCTION: momentary  
 CONTACT ARRANGEMENT: 1 make contact (SPST), NO  
 DISTANCE BETWEEN BUTTON CENTERS, MIN.: 12,7 (0.500)  
 TERMINALS: PC pins

## Electrical

SWITCHING POWER MAX.: 3 VA  
 SWITCHING VOLTAGE MAX.: 32 V DC  
 SWITCHING CURRENT MAX.: 100 mA DC  
 DIELECTRIC STRENGTH (50 Hz / 1 min): 250 V  
 OPERATING LIFE with max. switching power: (2,5x10<sup>5</sup> operations)  
 CONTACT RESISTANCE: ≤100 mΩ  
 INSULATION RESISTANCE: ≥10<sup>8</sup> Ω  
 BOUNCE TIME: ≤10 ms

## Packaging

The D6 switches are delivered in boxes containing 10 trays with 250 pieces each: Total 2,500 pieces per box.  
 The D6 buttons are delivered in bulk with 2500 pieces per box.

## Mechanical

SWITCHING TRAVEL:  
 Version F1: 0.2mm ≤ Te ≤ 1.0 mm  
 Version F2: 0.3mm ≤ Te ≤ 1.1 mm  
 OPERATING FORCE:  
 Version F1: 0.8N ≤ Fa ≤ 1.8N  
 Version F2: 2.0N ≤ Fa ≤ 3.5N

## Environmental

OPERATING TEMPERATURE: -20°C to 85°C.

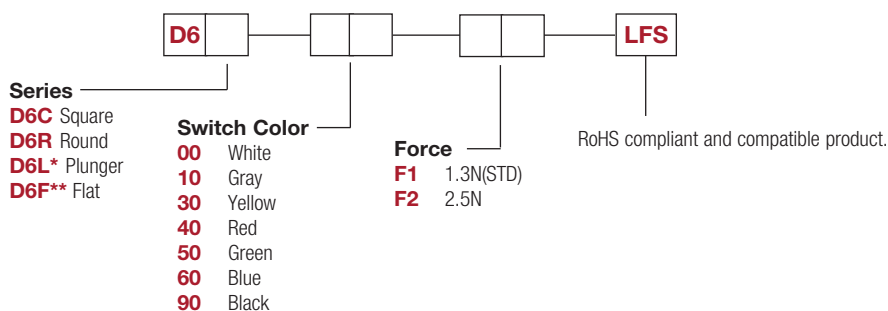
## Process

SOLDERABILITY:  
 Wave soldering, compatible with lead free soldering profile  
 Hand soldering, 350°C for 3 seconds

## How To Order

Our easy build-a-switch concept allows you to mix and match options to create the switch you need. To order, select desired option from each category and place it in the appropriate box.

### Switch



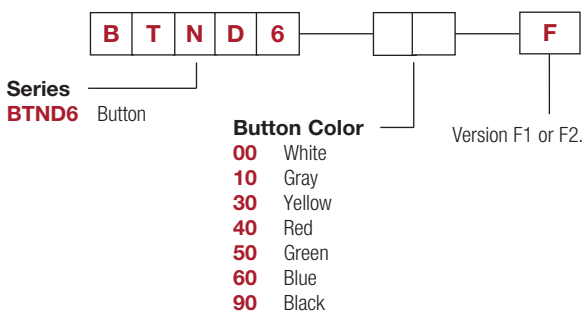
\*Available only in color 90 (black).

\*\* Available only in color 90 (black) and 00 (white).

### Button

Buttons can be ordered separately.  
 Shipped in bulk.

D6 button for use with D6C only.

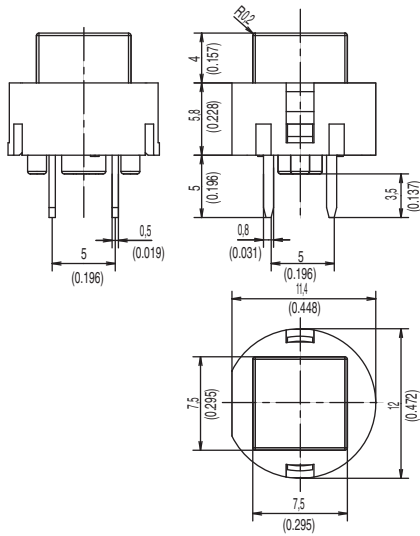
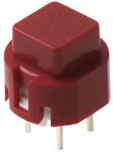


Dimensions are shown: mm  
 Specifications and dimensions subject to change

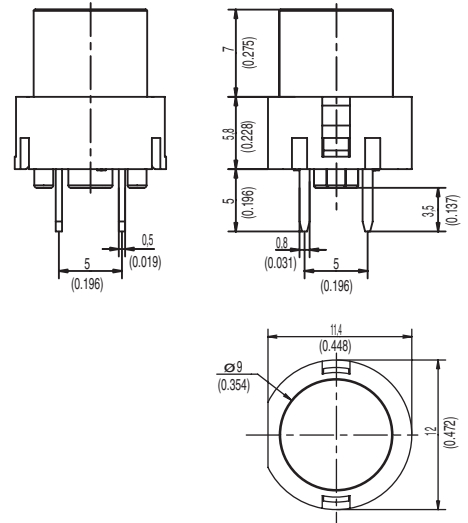
# D6 SPST Momentary Key Switches

SERIES

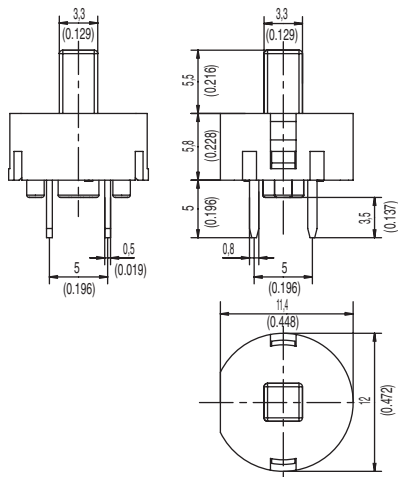
**D6C**



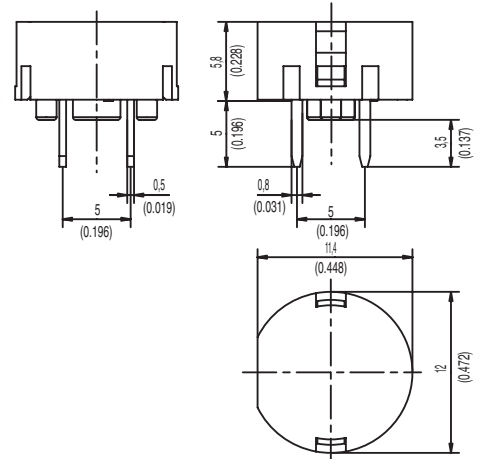
**D6R**



**D6L** ONLY AVAILABLE IN BLACK



**D6F**



Key Switches



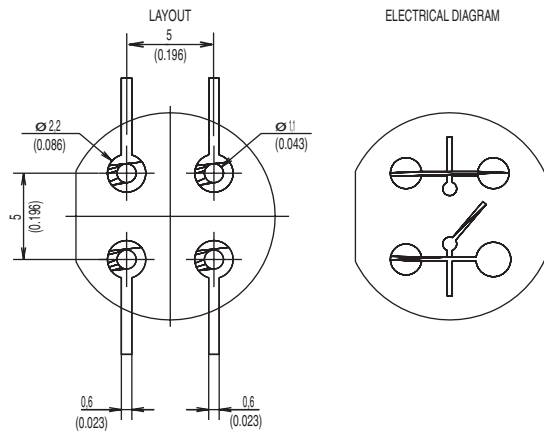
Dimensions are shown: mm  
Specifications and dimensions subject to change

# D6 SPST Momentary Key Switches

## SWITCH COLORS

OPTION CODE	SWITCH COLOR
00	WHITE
10	GRAY
30	YELLOW
40	RED
50	GREEN
60	BLUE
90	BLACK

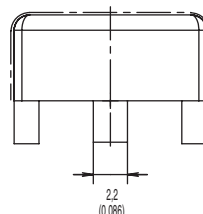
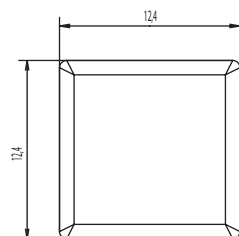
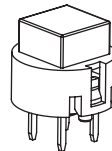
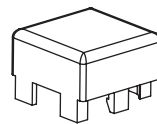
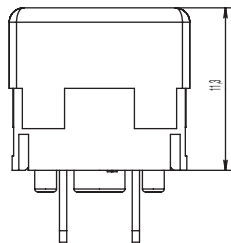
## PCB LAYOUT



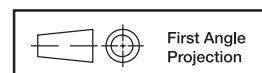
## BUTTON AVAILABLE

**BTND6** Buttons must be ordered separately. Shipped in bulk.

**NOTE:** Only compatible with D6C.



OPTION CODE	BUTTON COLOR
00	WHITE
10	GRAY
30	YELLOW
40	RED
50	GREEN
60	BLUE
90	BLACK



Dimensions are shown: mm  
Specifications and dimensions subject to change

## Looking for pricing, stock, or lifecycle information?

Click below to explore more details on WIN SOURCE:

- [View D6L90 F2 LFS on WIN SOURCE](#)
- [C&K Components Information](#)

## Optimize Your Supply Chain with WIN SOURCE Solutions

- ✓ Global Sourcing Solution
- ✓ Obsolete Management
- ✓ Cost Control Management
- ✓ Shortage Management
- ✓ Alternative Solution
- ✓ Excess Inventory Management