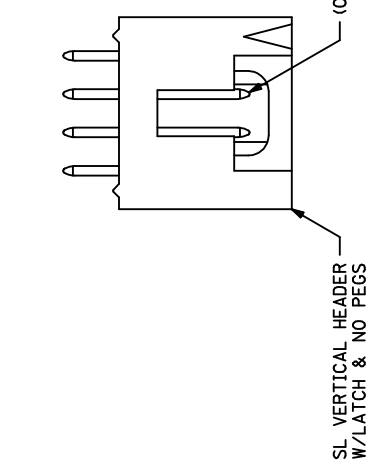




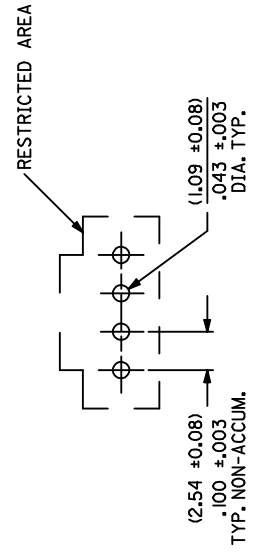
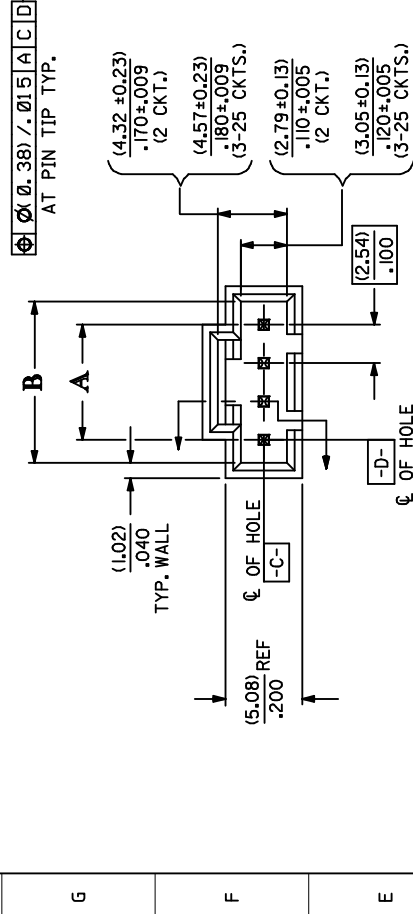
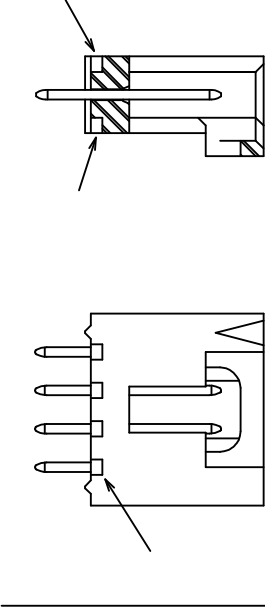
THE DATASHEET OF
705430003



13 12 11 10 9 8 7 6 5 4



ALTERNATIVE CORING MANUFACTURER'S OPTION



- NOTES:**
- HEADER MATERIAL: GLASS FILLED POLYESTER; UL 94V-0, COLOR: BLACK
PIN MATERIAL: PHOSPHOR BRONZE
 - FINISHES:
BRIGHT TIN - 3.81 MICROMETERS/150 MICROINCHES MINIMUM BRIGHT TIN PLATE
OVER NICKEL UNDERPLATE OVERALL
MATTE TIN - 3.81 MICROMETERS/150 MICROINCHES MINIMUM MATTE TIN PLATE
OVER NICKEL UNDERPLATE OVERALL
15 GOLD - 0.38 MICROMETERS/15 MICROINCHES MINIMUM GOLD PLATE IN MATE AREA
OVER NICKEL UNDERPLATE OVERALL
30 GOLD - 0.76 MICROMETERS/30 MICROINCHES MINIMUM GOLD PLATE IN MATE AREA
OVER NICKEL UNDERPLATE OVERALL
 - REFER TO MOLEX PRODUCT SPECIFICATION PS-70541
 - PACKAGING SPECIFICATION: SEE CHARTS
 - HEADER TO BE USED WITH OPTION "G" 70400 AND 70430 SERIES SL CONNECTORS
 - PARTS CONFORM TO CLASS B REQUIREMENTS OF COSMETIC SPECIFICATION PS-45499-002.

RECOMMENDED PC BOARD LAYOUT
(FOR USE WITH (1.57)/.062 THICK BOARD)



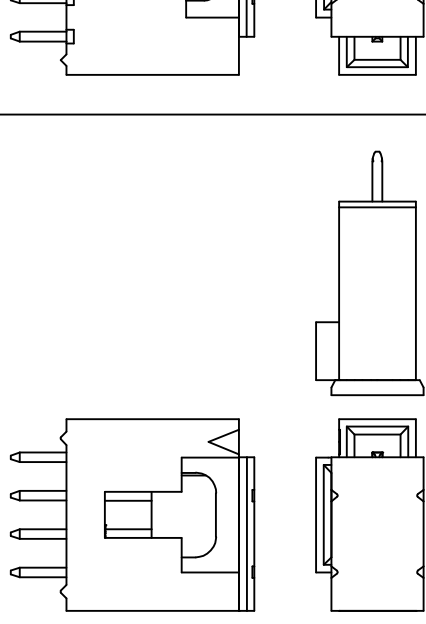
QUALITY SYMBOLS	GENERAL TOLERANCES (UNLESS SPECIFIED)	DIMENSION STYLE
$\nabla = 0$	4 PLACES \pm INCH	MM/IN
$\nabla = 0$	3 PLACES \pm ---	DRAWN BY
$\nabla = 0$	2 PLACES ± 0.13	AAB
	1 PLACE ± 0.25	CHECKED BY
	0 PLACE \pm ---	MJM
	ANGULAR $\pm 1/2^\circ$	APPROVED BY
	DRAFT WHERE APPLICABLE MUST REMAIN WITHIN DIMENSIONS	MAZ
		MATERIAL NO.
		SEE TABLE
		SIZE THIS DRAWING CONTAINED AND SH

DESCRIPTION	DATE
APP:FSM1TH	1987/09/22
CHKD:JDFOX	1987/09/22
DRWN:MK1PPER	1987/09/22
FC NO: UCP206-3086	
ADD 74053-0338	
M1	

CIRCUIT SIZE	ENGINEERING NUMBER 70543	D REF	E +0.25/.010	MATING AREA FINISH	PC TAIL AREA FINISH	PACKAGING:
3-25	-0337-0359	(3.30) .130	(6.10) .240	BRIGHT TIN	BRIGHT TIN	705430001-PK (TUBE WITH P&P CAP)

CIRCUIT SIZE	ITEM NUMBER	ITEM NUMBER	ITEM NUMBER
3			
4	70543-0338		
5			
6			
7			
8			
9			
10			
11			
12			
13			
14			
15			
16			
17			
18			
19			
20			
21			
22			
23			
24			
25			

PICK & PLACE CAP POSITION
EVEN CIRCUITS



EC NO: UCP2016-3086	DRW:MK1PPER	2016/02/04	M1	REV
CH:KDJDFOX	2012/02/04	DESCRIPTION		
APP:FSMITH	2016/03/10			
SEE SHEET 1				
DRAFT WHERE APPLICABLE MUST REMAIN WITHIN DIMENSIONS				
ANGULAR ±1/2°				
0 PLACE ± --- ± ---				
1 PLACE ± 0.25 ± ---				
2 PLACES ± 0.13 ± .010				
3 PLACES ± --- ± .005				
4 PLACES ± --- ± ---				
QUALITY SYMBOLS	GENERAL TOLERANCES (UNLESS SPECIFIED)	INCH	MM	
△=0				
▽=0				
△=0				
MATERIAL NO. SEE CHART				
SIZE THIS DRAWING CONTAINED AND IS INCORPORATED AND IS				

Looking for pricing, stock, or lifecycle information?

Click below to explore more details on WIN SOURCE:

 [View 705430003 on WIN SOURCE](#)

 [Molex, LLC Information](#)

Optimize Your Supply Chain with WIN SOURCE Solutions

-  Global Sourcing Solution
-  Obsolete Management
-  Cost Control Management
-  Shortage Management
-  Alternative Solution
-  Excess Inventory Management