



**THE DATASHEET OF
67996-120HLF**



PRODUCT NUMBER

XXXXX-XYHPLF

LEAD FREE OPTION

SEE NOTE 1,13

SPECIAL OPTIONS

SEE NOTE 1 OR 10

HIGH TEMPERATURE PLASTIC

SEE NOTE 1

NO OF

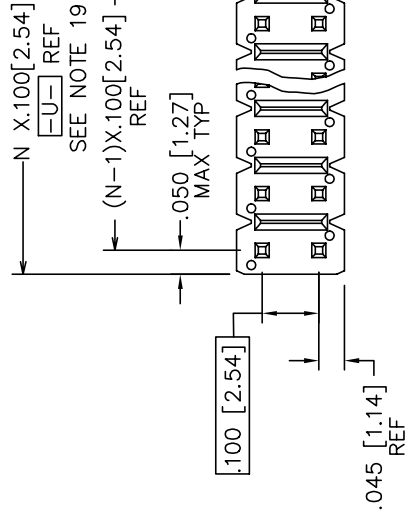
POSITIONS

SEE NOTE 1

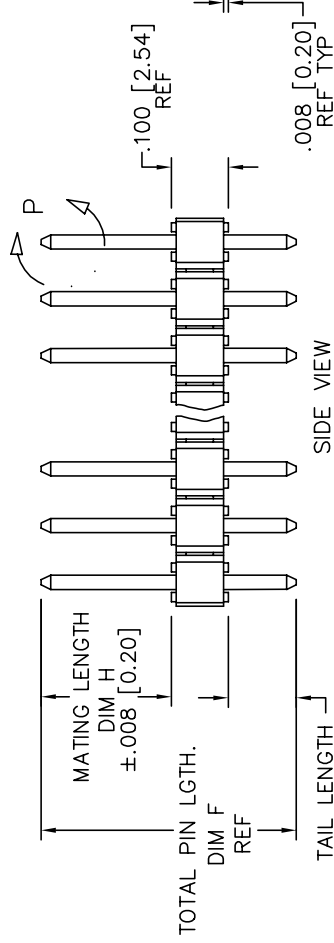
PIN PLATING

SEE SHEET 2

BASE PART NO.



TOP VIEW



SIDE VIEW

67996-X XX-XXX XXX LF

TAIL LENGTH (EXAMPLE BELOW)

3.0mm=030 12.8mm=128

(SEE NOTE 16 & 17)

MATING LENGTH (EXAMPLE BELOW)

5.0mm=050 25.5mm=255

(SEE NOTE 16 & 17)

TOTAL NUMBER OF POSITIONS

FROM 2 (2X1) THRU 72 (2X36) POS.

PIN PLATING (SEE NOTE 14)

1=0.76µm Au

4= PURE TIN

8=0.36µm Au

BASE PART NO.

DOUBLE ROW

φ.040 [1.02]±.003 [0.08] TYP

→.100 [2.54]±.003 [0.08] TYP

NON-ACCUMULATIVE

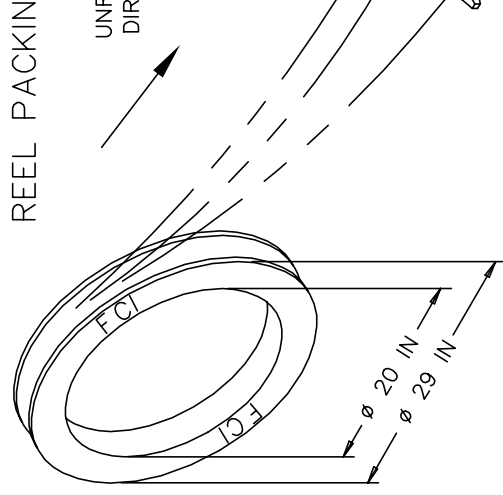
→.100 [2.54]±.003 [0.08] TYP

→.100 [2.54]±.003 [0.08] TYP

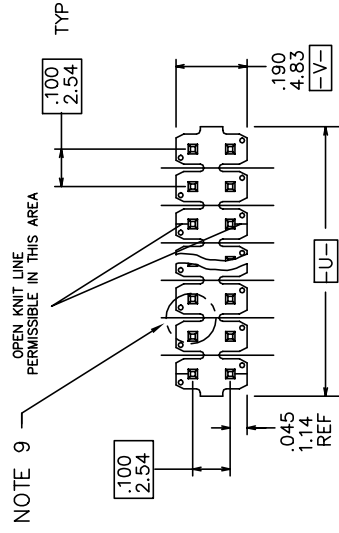
RECOMMENDED HOLE PATTERN

mat'l. code		surface	
NOTE 2 & 3		ISO 1302	
itr	ecn no/dr	date	tolerances unless
DF	N11-0180	J.Z	2011-05-31
DG	ELX-N-13471	J.Z	2011-11-16
DH	ELX-N-16105	ZK	2013-10-22
			angles
			linea
			0°±2°
			dr
			T.BREWB./
			engr
			T:HANI
			chr
			J:MURRP
			appd
			T:HANI
sheet	revision	DH	...
index	sheet	1	...

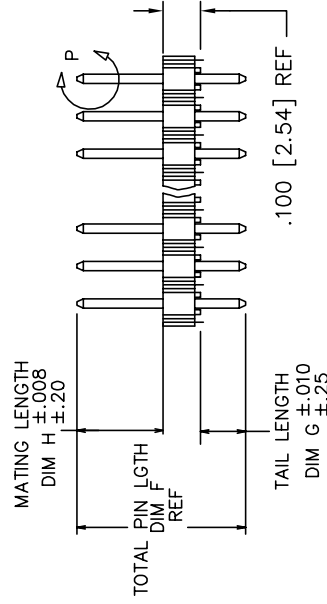
1 | 2 | 3 | 4



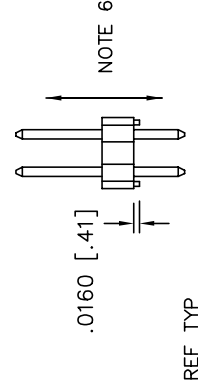
BERGSTRIPTM HEADER



DOUBLE ROW TOP VIEW



DOUBLE ROW SIDE VIEW



REF TYP

END VIEW
DOUBLE ROW

1 | 2 | 3

mat'l. code	surface	ISO 1302	✓
tr ecn no	date	tolerances unless	
DH	angles	lineal	
	$0^{\circ}\pm 2^{\circ}$	dr	T.BREWB/A
	engr	chr	T.HANN
	appr	sheet	J.MURP
	revision	sheet	T.HANN
	index	sheet	

4 PDS: Rev

PRODUCT NUMBER	TOT. PIN LGTH.		TAIL LENGTH		MATING LENGTH		PACKAGING	NOTES	BERGSTrip™ AVAILABLE	LF OPTION
	DIM F	DIM F	DIM G	DIM G	DIM H	DIM H				
	ENGLISH METRIC	ENGLISH METRIC	ENGLISH METRIC	ENGLISH METRIC	ENGLISH METRIC	ENGLISH METRIC				
55005-XYH	0.597	15.16	0.095	2.41	0.402	10.21	POLY BAGS	-	YES	OB
55030-XYH	0.630	16.00	0.150	3.81	0.380	9.65	POLY BAGS	-	YES	NOTE 1,13
67996-XY	0.425	10.80	0.095	2.41	0.230	5.84	POLY BAGS/TUBES	-	YES	
67997-XY	0.450	11.43	0.120	3.05	0.230	5.84	POLY BAGS/TUBES	-	YES	
67997-XYH	0.450	11.43	0.120	3.05	0.230	5.84	POLY BAGS/TUBES	-	YES	
67998-XY	0.525	13.34	0.107	2.72	0.318	8.08	POLY BAGS/TUBES	-	YES	
67999-XY	0.548	13.92	0.130	3.30	0.318	8.08	POLY BAGS	-	NO	
68438-XY	0.555	14.10	0.225	5.72	0.230	5.84	POLY BAGS/TUBES	-	NO	OB
68439-XY	0.720	18.29	0.120	3.05	0.500	12.70	POLY BAGS	-	NO	OB
68464-XY	0.650	16.51	0.120	3.05	0.430	10.92	POLY BAGS/TUBES	-	NO	
68481-XY	0.480	12.19	0.095	2.41	0.285	7.24	POLY BAGS/TUBES	-	NO	
68482-XY	0.938	23.83	0.318	8.08	0.520	13.21	POLY BAGS	-	NO	
68491-XY	0.475	12.07	0.120	3.05	0.255	6.48	POLY BAGS/TUBES	-	NO	
68600-XY	0.825	20.96	0.115	2.92	0.610	15.49	POLY BAGS	-	NO	OB
68601-XY	0.620	15.75	0.120	3.05	0.400	10.16	POLY BAGS	-	NO	OB
68602-XY	0.480	12.19	0.150	3.81	0.230	5.84	POLY BAGS	-	YES	
68690-XY	0.533	13.54	0.115	2.92	0.318	8.08	POLY BAGS	-	NO	
68691-XY	0.538	13.67	0.120	3.05	0.318	8.08	POLY BAGS	-	YES	
68692-XY	0.430	10.92	0.100	2.54	0.230	5.84	POLY BAGS	-	NO	
68693-XY	0.938	23.83	0.520	13.21	0.318	8.08	POLY BAGS	-	NO	
68716-XY	0.828	21.03	0.410	10.41	0.318	8.08	POLY BAGS	-	NO	OB
68734-XY	0.615	15.62	0.230	5.84	0.285	7.24	POLY BAGS	-	NO	OB
68737-XY	0.440	11.18	0.110	2.79	0.230	5.84	POLY BAGS	-	YES	
68738-XY	0.615	15.62	0.115	2.92	0.400	10.16	POLY BAGS	-	NO	OB
68739-XY	0.486	12.34	0.156	3.96	0.230	5.84	POLY BAGS	-	NO	
68743-XY	0.638	16.21	0.220	5.59	0.318	8.08	POLY BAGS	-	NO	
68740-XY	0.838	21.29	0.420	10.67	0.318	8.08	POLY BAGS	-	NO	OB
68779-XY	0.736	18.69	0.318	8.08	0.318	8.08	POLY BAGS	-	NO	
68783-XY	0.375	9.53	0.045	1.14	0.230	5.84	POLY BAGS	-	NO	OB
68799-XY	0.925	23.50	0.595	15.11	0.230	5.84	POLY BAGS	-	NO	OB

FCconnect.com



C

Copyright FC

D

form: A3

mat'l. code	surface
NOTE 2 & 3	ISO 1302 ✓
ltr ecn no	date
DH	tolerances unless
	angles
	lineal
	dr
	T.BREWA/
	engr
	chr
	J.MURP
	T.HANN
	appd
sheet index	revision sheet

4 PDS: Rev

3

2

1

PRODUCT NUMBER	TOT. PIN LGTH.		TAIL LENGTH		MATING LENGTH		PACKAGING	NOTES	BERGSTRIPTM AVAILABLE
	DIM F	DIM F	DIM G	DIM G	DIM H	DIM H			
	ENGLISH	METRIC	ENGLISH	METRIC	ENGLISH	METRIC			
69132 -XYX	0.760	19.30	0.120	3.05	0.540	13.72	POLY-BAGS/TUBES		NO
69133-XYX	0.615	15.62	0.285	7.24	0.230	5.84	POLY BAGS	-	NO
69157-XYX	0.410	10.41	0.110	2.79	0.200	5.08	POLY BAGS	-	NO
71217 -XYXH	1.000	25.40	0.450	11.43	0.450	11.43	POLY-BAGS		NO
71222 -XYXH	0.850	21.59	0.250	6.35	0.500	12.70	POLY-BAGS		NO
72273 -XYXH	0.725	18.42	0.110	2.79	0.515	13.08	POLY-BAGS		NO
72448 -XYXH	0.658	16.71	0.172	4.37	0.386	9.80	POLY-BAGS		NO
72455 -XYXH	0.598	15.19	0.180	4.57	0.318	8.08	POLY-BAGS		NO
72455 =632HG	0.598	15.19	0.180	4.57	0.318	8.08	GPAX	NOTE 1	NO
73503 -XYXH	0.420	10.67	0.120	3.05	0.200	5.08	POLY-BAGS		NO
73596 -XYXH	0.795	20.19	0.110	2.79	0.585	14.86	POLY-BAGS		NO
74317 -XYXH	0.532	13.51	0.309	7.85	0.123	3.12	POLY-BAGS	NOTE 11	NO
74318 -XYXH	0.592	15.04	0.369	9.37	0.123	3.12	POLY-BAGS	NOTE 11	NO
74999 -XYXH	0.508	12.90	0.090	2.29	0.318	8.08	POLY-BAGS		NO
78212 -XYX	0.710	18.03	0.350	8.89	0.260	6.60	POLY-BAGS		NO
78233-XYX	0.568	14.43	0.150	3.81	0.318	8.08	POLY BAGS	-	NO
78269 -XYX	0.385	9.78	0.095	2.41	0.190	4.83	POLY-BAGS		NO
78286 -XYX	0.500	12.70	0.160	4.06	0.240	6.10	POLY-BAGS/TUBES		NO
78932-XYX	UNAVAILABLE	UNAVAILABLE	UNAVAILABLE	UNAVAILABLE	UNAVAILABLE	UNAVAILABLE		-	-
78933 -XYX	0.695	17.65	0.285	7.24	0.310	7.87	POLY-BAGS		NO
78988 -XYX	0.540	13.72	0.135	3.43	0.305	7.75	POLY-BAGS		NO
78989-XYX	UNAVAILABLE	UNAVAILABLE	UNAVAILABLE	UNAVAILABLE	UNAVAILABLE	UNAVAILABLE		-	-
78990-XYX	UNAVAILABLE	UNAVAILABLE	UNAVAILABLE	UNAVAILABLE	UNAVAILABLE	UNAVAILABLE		-	-
78991-XYX	UNAVAILABLE	UNAVAILABLE	UNAVAILABLE	UNAVAILABLE	UNAVAILABLE	UNAVAILABLE		-	-
78992-XYX	UNAVAILABLE	UNAVAILABLE	UNAVAILABLE	UNAVAILABLE	UNAVAILABLE	UNAVAILABLE		-	-
78993-XYX	UNAVAILABLE	UNAVAILABLE	UNAVAILABLE	UNAVAILABLE	UNAVAILABLE	UNAVAILABLE		-	-
78994-XYX	UNAVAILABLE	UNAVAILABLE	UNAVAILABLE	UNAVAILABLE	UNAVAILABLE	UNAVAILABLE		-	-



mat'l. code		surface	
NOTE 2 & 3		ISO 1302	
ltr	ecn no	dr	date
tolerances unless			
DH		angles	lineal
		0°±2'	
		dr	T.BREWA/
		engr	T.HANN
		chr	J.MURP
		appd	T.HANN
sheet index	revision	sheet	

PRODUCT NUMBER	TOT. PIN LGTH.		TAIL LENGTH		MATING LENGTH		PACKAGING	NOTES	BERGSTRIPTM AVAILABLE
	DIM F	DIM F	DIM G	DIM G	DIM H	DIM H			
	ENGLISH	METRIC	ENGLISH	METRIC	ENGLISH	METRIC			
78995--XYX	UNAVAILABLE	UNAVAILABLE	UNAVAILABLE	UNAVAILABLE	UNAVAILABLE	UNAVAILABLE		-	N
78996--XYX	UNAVAILABLE	UNAVAILABLE	UNAVAILABLE	UNAVAILABLE	UNAVAILABLE	UNAVAILABLE		-	N
-79242--XYX	0.930	23.62	0.340	8.64	0.490	12.45	POLY BAGS		NO
-79243--XYX	1.230	31.24	0.390	9.91	0.740	18.80	POLY BAGS		NO
79244--XYX	UNAVAILABLE	UNAVAILABLE	UNAVAILABLE	UNAVAILABLE	UNAVAILABLE	UNAVAILABLE		-	N
-79268--XYX	1.020	25.91	0.120	3.05	0.800	20.32	POLY BAGS		NO
-79271--XYX	1.100	27.94	0.500	12.70	0.500	12.70	POLY BAGS		NO
79425--XYX	0.410	10.41	0.120	3.05	0.190	4.83	POLY BAGS	-	NO
79821--XYX	0.730	18.54	0.200	5.08	0.430	10.92	POLY BAGS	-	NO
-84610--XYX	0.380	9.65	0.120	3.05	0.160	4.06	POLY BAGS		NO
-84760--XYX	0.870	22.09	0.150	3.81	0.620	15.74	POLY BAGS		NO
-84784--XYX	1.130	28.70	0.122	3.09	0.908	23.06	POLY BAGS		NO
-84934--XYX	1.375	34.93	0.625	15.88	0.650	16.51	POLY BAGS		NO
-84976--XYX	0.730	18.54	0.400	10.16	0.230	5.84	POLY BAGS		NO
86503--XYX	0.470	11.94	0.120	3.05	0.250	6.35	POLY BAGS	-	NO
-86581--XYX	0.450	11.43	0.120	3.05	0.230	5.84	POLY BAGS	NOTE 8	NO
-86817--XYX	0.925	23.50	0.120	3.05	0.705	17.91	POLY BAGS		NO
-86827--XYX	0.700	17.78	0.120	3.05	0.480	12.19	POLY BAGS		NO
86832--XYX	0.525	13.34	0.100	2.54	0.325	8.26	POLY BAGS	-	NO
-86834--XYX	1.335	33.91	0.585	14.86	0.650	16.51	POLY BAGS		NO
-86836--XYX	0.870	22.10	0.120	3.05	0.650	16.51	POLY BAGS		NO
86837--XYX	0.600	15.24	0.120	3.05	0.380	9.65	POLY BAGS	-	NO
-87037--XYX	1.240	31.50	0.120	3.05	1.020	25.91	POLY BAGS		NO
87052--XYX	0.990	25.15	0.120	3.05	0.770	19.56	POLY BAGS	-	NO
-87203--XYX	0.545	13.84	0.150	3.81	0.295	7.49	POLY BAGS		NO
-87344--XYX	1.375	34.93	0.219	5.56	1.056	26.82	POLY BAGS		NO

A

B

C

D

FCIconnect.com



Copyright FCI

form: A3

mat'l. code		surface	
NOTE 2 & 3		ISO 1302	
ltr	ecn no	dr	date
tolerances unless			
DH		angles	lineal
		0°±2'	
		dr	T.BREWBA
		engr	T.HANN
		chr	J.MURP
		appd	T.HANN
sheet index	revision	sheet	

4

3

4

PDS: Rev

PRODUCT NUMBER	TOT. PIN LGTH.		TAIL LENGTH		MATING LENGTH		PACKAGING	NOTES	BERGSTRIPTM AVAILABLE
	DIM F	DIM F	DIM G	DIM G	DIM H	DIM H			
	ENGLISH	METRIC	ENGLISH	METRIC	ENGLISH	METRIC			
87345 -XY	1.218	30.94	0.406	10.31	0.712	18.08	POLY BAGS		NO
87348 -XY	0.930	23.62	0.100	2.54	0.730	18.54	POLY BAGS		NO
87349 -XY	0.890	22.61	0.110	2.79	0.680	17.27	POLY BAGS		NO
87381 -XY	0.645	16.38	0.100	2.54	0.445	11.30	POLY BAGS		NO
87382 -XY	0.675	17.15	0.100	2.54	0.475	12.07	POLY BAGS		NO
87503 -XYH	0.630	16.00	0.110	2.79	0.420	10.67	POLY BAGS		NO
87869 -XY	0.690	17.53	0.230	5.84	0.360	9.14	POLY BAGS		NO
87894-XYY	0.588	14.94	0.170	4.32	0.318	8.08	POLY BAGS	-	NO
87900-XYY	0.940	23.88	0.120	3.05	0.720	18.29	POLY BAGS	-	NO
87901-XYY	1.040	26.42	0.120	3.05	0.820	20.83	POLY BAGS	-	NO
87903 -XY	0.963	24.46	0.337	8.56	0.526	13.36	POLY BAGS		NO
88797 -XY	0.950	24.13	0.320	8.13	0.530	13.46	POLY BAGS		NO
88812 -XY	0.415	10.54	0.085	2.16	0.230	5.84	POLY BAGS/TUBES	NOTE 8	NO
88886 -XY	1.306	33.17	0.276	7.01	0.930	23.62	POLY BAGS		NO
89446 -XY	0.930	23.62	0.120	3.05	0.710	18.03	POLY BAGS		NO
89540 -XY	0.760	19.30	0.280	7.11	0.380	9.65	POLY BAGS		NO
89542 -XY	1.065	27.05	0.125	3.18	0.840	21.34	POLY BAGS		NO
89639 -XY	1.260	32.00	0.118	3.00	1.042	26.47	POLY BAGS		NO
91828 -XY	0.450	11.43	0.120	3.05	0.230	5.84	TUBES		NO
92417-XYY	0.530	13.46	0.110	2.79	0.320	8.13	POLY BAGS	-	NO
93216 -XYH	0.573	14.55	0.155	3.94	0.318	8.08	POLY BAGS/TUBES		NO
93216=632HG	0.573	14.55	0.155	3.94	0.318	8.08	GPAX	NOTE 1	NO
93217 -XYH	0.395	10.03	0.095	2.41	0.200	5.08	POLY BAGS		NO
93254-XYY	0.563	14.30	0.110	2.79	0.353	8.97	POLY BAGS	-	NO

A

B

C

D

Falconnect.com



Copyright FCI

form: A3

mat'l. code		surface	
NOTE 2 & 3		ISO 1302	
ltr	ecn no	date	tolerances unless
DH			angles
			lineal
			dr
			T.BREWBA
			engr
			T.HANN
			chr
			J.MURP
			appd
			T.HANN
sheet index	revision	sheet	

4

1

2

3

4

PDS: Rev

PRODUCT NUMBER	TOT. PIN LGTH.		TAIL LENGTH		MATING LENGTH		PACKAGING	NOTES	BERGSTRIIP AVAILABLE
	DIM F	DIM F	DIM G	DIM G	DIM H	DIM H			
	ENGLISH	METRIC	ENGLISH	METRIC	ENGLISH	METRIC			
94010 - XYH	0.756	19.20	0.350	8.89	0.306	7.77	POLY BAGS		NO
94532 - XYH	1.250	31.75	0.450	11.43	0.700	17.78	POLY BAGS		NO
95105 - XY	0.370	9.40	0.126	3.20	0.144	3.66	POLY BAGS		NO
95645 - XYH	0.350	8.89	0.100	2.54	0.150	3.81	POLY BAGS		NO
95652 - XYH	0.500	12.70	0.070	1.78	0.330	8.38	POLY BAGS		NO
95665 - XYH	0.835	21.21	0.335	8.51	0.400	10.16	POLY BAGS		NO
95687-XYH	0.820	20.83	0.360	9.14	0.360	9.14	POLY BAGS	-	NO
95712 - XYH	1.090	27.69	0.110	2.79	0.880	22.35	POLY BAGS		NO
95727 - XYH	0.825	20.96	0.110	2.79	0.615	15.62	POLY BAGS		NO
98181 - XYH	0.760	19.30	0.218	5.54	0.442	11.23	POLY BAGS		NO
98217 - XYH	0.756	19.20	0.328	8.33	0.328	8.33	POLY BAGS		NO
98329 - XYH	0.930	23.62	0.415	10.54	0.415	10.54	POLY BAGS		NO
98854 - XYH	0.450	11.43	0.120	3.05	0.230	5.84	TUBES		NO
10017852-XYH	0.450	11.43	0.125	3.18	0.225	5.72	POLYBAGS		NO
10074747-XYH	0.850	21.59	0.520	13.21	0.230	5.84	POLYBAGS		NO

A

B

Falconnect.com



C

Copyright FCI

D

form: A3

1

2



3

4 PDS: Rev

mat'l. code		surface	
NOTE 2 & 3		ISO 1302	
ltr	ecn no	dr	date
DH			
		tolerances unless	
		angles	lineal
		0°±2'	
		dr	T.BREWB/A
		engr	T.HANN
		chr	J.MURP
		appd	T.HANN
sheet	revision		
index	sheet		

Looking for pricing, stock, or lifecycle information?

Click below to explore more details on WIN SOURCE:

-  [View 67996-120HLF on WIN SOURCE](#)
-  [Amphenol FCI Information](#)

Optimize Your Supply Chain with WIN SOURCE Solutions

-  Global Sourcing Solution
-  Obsolete Management
-  Cost Control Management
-  Shortage Management
-  Alternative Solution
-  Excess Inventory Management