



**THE DATASHEET OF**  
**67996-108HLF**



PRODUCT NUMBER

XXXXX-XYHPLF

LEAD FREE OPTION

SEE NOTE 1,13

SPECIAL OPTIONS

SEE NOTE 1 OR 10

HIGH TEMPERATURE PLASTIC

SEE NOTE 1

NO OF

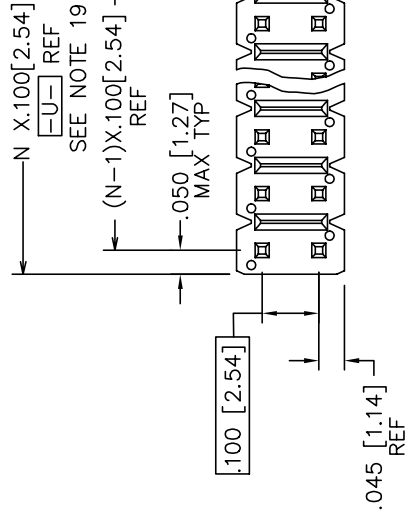
POSITIONS

SEE NOTE 1

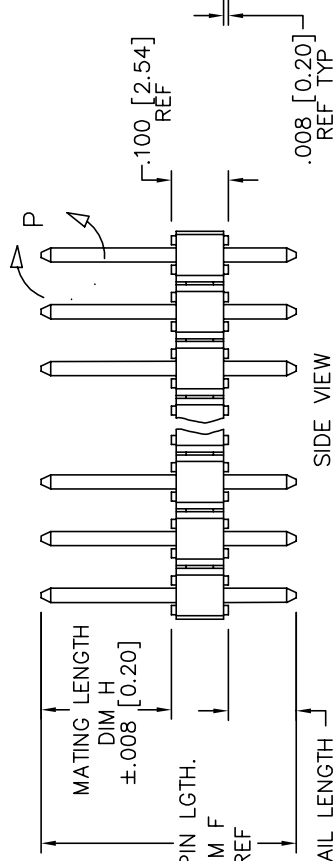
PIN PLATING

SEE SHEET 2

BASE PART NO.



TOP VIEW



SIDE VIEW

67996-X XX-XXX XXX LF

TAIL LENGTH (EXAMPLE BELOW)

3.0mm=030 12.8mm=128

(SEE NOTE 16 & 17)

MATING LENGTH (EXAMPLE BELOW)

5.0mm=050 25.5mm=255

(SEE NOTE 16 & 17)

TOTAL NUMBER OF POSITIONS

FROM 2 (2X1) THRU 72 (2X36) POS.

PIN PLATING (SEE NOTE 14)

1=0.76µm Au

4= PURE TIN

8=0.36µm Au

BASE PART NO.

DOUBLE ROW

Copyright FCI



Fciconnect.com

itr	ecn	no	dr	date	surface
DF	N11	-0180	J.Z	2011-05-31	ISO 1302
DG	ELX-N	-13471	J.Z	2011-11-16	tolerances unless
DH	ELX-N	-16105	ZK	2013-10-22	angles
					linea
					0° ±2°
					dr
					T.BREWB./
					engr
					T.HANI
					chr
					J.MURRP
					appd
					T.HANI

sheet	revision	DH	...	DH
index	sheet	1	...	8

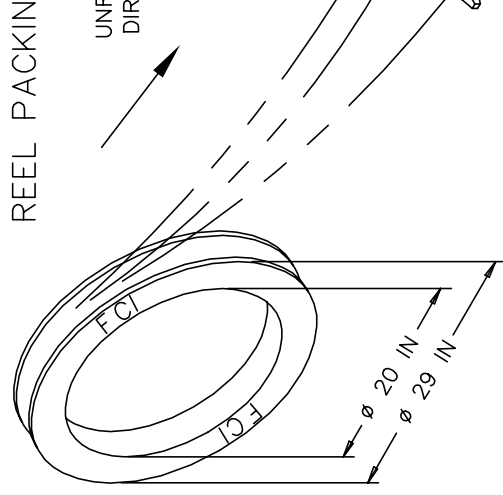
form: A3

2

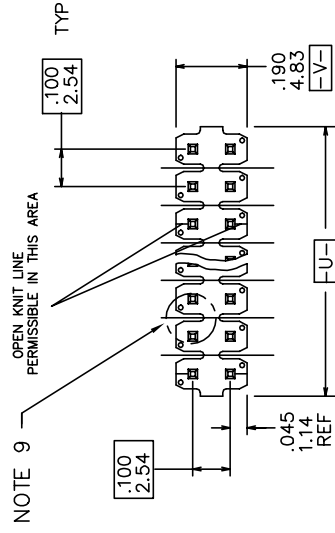
3

4PDS: Rev

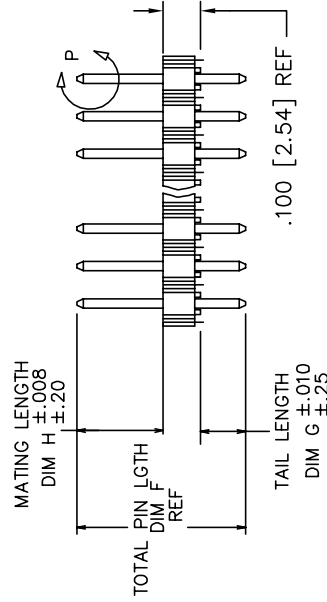




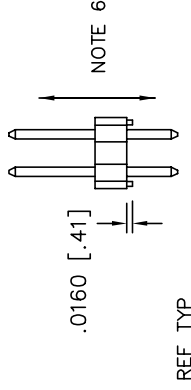
BERGSTRIPTM HEADER



DOUBLE ROW TOP VIEW



DOUBLE ROW SIDE VIEW



END VIEW DOUBLE ROW

mat'l. code	surface	ISO 1302	√
tr ecn no	date	tolerances unless	
DH		angles	lineal
		0°±2°	
		dr	T.BREWBA
		engr	T.HANN
		chr	J.MURP
		appd	T.HANN
sheet index	revision sheet		

PRODUCT NUMBER	TOT. PIN LGTH.		TAIL LENGTH		MATING LENGTH		PACKAGING	NOTES	BERGSTRIIP™ AVAILABLE	LF OPTION
	DIM F	DIM F	DIM G	DIM G	DIM H	DIM H				
	ENGLISH METRIC	ENGLISH METRIC	ENGLISH METRIC	ENGLISH METRIC	ENGLISH METRIC	ENGLISH METRIC				
<del>55005-XYXH</del>	<del>0.597</del>	<del>15.16</del>	<del>0.095</del>	<del>2.41</del>	<del>0.402</del>	<del>10.21</del>	<del>POLY BAGS</del>	<del>-</del>	<del>YES</del>	<del>OB</del>
<del>55030-XYXH</del>	<del>0.630</del>	<del>16.00</del>	<del>0.150</del>	<del>3.81</del>	<del>0.380</del>	<del>9.65</del>	<del>POLY BAGS</del>	<del>-</del>	<del>YES</del>	<del>NOTE 1,13</del>
<del>67996-XYX</del>	<del>0.425</del>	<del>10.80</del>	<del>0.095</del>	<del>2.41</del>	<del>0.230</del>	<del>5.84</del>	<del>POLY BAGS/TUBES</del>	<del>-</del>	<del>YES</del>	
<del>67997-XYX</del>	<del>0.450</del>	<del>11.43</del>	<del>0.120</del>	<del>3.05</del>	<del>0.230</del>	<del>5.84</del>	<del>POLY BAGS/TUBES</del>	<del>-</del>	<del>YES</del>	
<del>67997-XYXH</del>	<del>0.450</del>	<del>11.43</del>	<del>0.120</del>	<del>3.05</del>	<del>0.230</del>	<del>5.84</del>	<del>POLY BAGS/TUBES</del>	<del>-</del>	<del>YES</del>	
<del>67998-XYX</del>	<del>0.525</del>	<del>13.34</del>	<del>0.107</del>	<del>2.72</del>	<del>0.318</del>	<del>8.08</del>	<del>POLY BAGS/TUBES</del>	<del>-</del>	<del>YES</del>	
<del>67999-XYX</del>	<del>0.548</del>	<del>13.92</del>	<del>0.130</del>	<del>3.30</del>	<del>0.318</del>	<del>8.08</del>	<del>POLY BAGS</del>	<del>-</del>	<del>NO</del>	
<del>68438-XYX</del>	<del>0.555</del>	<del>14.10</del>	<del>0.225</del>	<del>5.72</del>	<del>0.230</del>	<del>5.84</del>	<del>POLY BAGS/TUBES</del>	<del>-</del>	<del>NO</del>	<del>OB</del>
<del>68439-XYX</del>	<del>0.720</del>	<del>18.29</del>	<del>0.120</del>	<del>3.05</del>	<del>0.500</del>	<del>12.70</del>	<del>POLY BAGS</del>	<del>-</del>	<del>NO</del>	<del>OB</del>
<del>68464-XYX</del>	<del>0.650</del>	<del>16.51</del>	<del>0.120</del>	<del>3.05</del>	<del>0.430</del>	<del>10.92</del>	<del>POLY BAGS/TUBES</del>	<del>-</del>	<del>NO</del>	
<del>68481-XYX</del>	<del>0.480</del>	<del>12.19</del>	<del>0.095</del>	<del>2.41</del>	<del>0.285</del>	<del>7.24</del>	<del>POLY BAGS/TUBES</del>	<del>-</del>	<del>NO</del>	
<del>68482-XYX</del>	<del>0.938</del>	<del>23.83</del>	<del>0.318</del>	<del>8.08</del>	<del>0.520</del>	<del>13.21</del>	<del>POLY BAGS</del>	<del>-</del>	<del>NO</del>	
<del>68491-XYX</del>	<del>0.475</del>	<del>12.07</del>	<del>0.120</del>	<del>3.05</del>	<del>0.255</del>	<del>6.48</del>	<del>POLY BAGS/TUBES</del>	<del>-</del>	<del>NO</del>	
<del>68600-XYX</del>	<del>0.825</del>	<del>20.96</del>	<del>0.115</del>	<del>2.92</del>	<del>0.610</del>	<del>15.49</del>	<del>POLY BAGS</del>	<del>-</del>	<del>NO</del>	<del>OB</del>
<del>68601-XYX</del>	<del>0.620</del>	<del>15.75</del>	<del>0.120</del>	<del>3.05</del>	<del>0.400</del>	<del>10.16</del>	<del>POLY BAGS</del>	<del>-</del>	<del>NO</del>	<del>OB</del>
<del>68602-XYX</del>	<del>0.480</del>	<del>12.19</del>	<del>0.150</del>	<del>3.81</del>	<del>0.230</del>	<del>5.84</del>	<del>POLY BAGS</del>	<del>-</del>	<del>YES</del>	
<del>68690-XYX</del>	<del>0.533</del>	<del>13.54</del>	<del>0.115</del>	<del>2.92</del>	<del>0.318</del>	<del>8.08</del>	<del>POLY BAGS</del>	<del>-</del>	<del>NO</del>	
<del>68691-XYX</del>	<del>0.538</del>	<del>13.67</del>	<del>0.120</del>	<del>3.05</del>	<del>0.318</del>	<del>8.08</del>	<del>POLY BAGS</del>	<del>-</del>	<del>YES</del>	
<del>68692-XYX</del>	<del>0.430</del>	<del>10.92</del>	<del>0.100</del>	<del>2.54</del>	<del>0.230</del>	<del>5.84</del>	<del>POLY BAGS</del>	<del>-</del>	<del>NO</del>	
<del>68693-XYX</del>	<del>0.938</del>	<del>23.83</del>	<del>0.520</del>	<del>13.21</del>	<del>0.318</del>	<del>8.08</del>	<del>POLY BAGS</del>	<del>-</del>	<del>NO</del>	
<del>68716-XYX</del>	<del>0.828</del>	<del>21.03</del>	<del>0.410</del>	<del>10.41</del>	<del>0.318</del>	<del>8.08</del>	<del>POLY BAGS</del>	<del>-</del>	<del>NO</del>	<del>OB</del>
<del>68734-XYX</del>	<del>0.615</del>	<del>15.62</del>	<del>0.230</del>	<del>5.84</del>	<del>0.285</del>	<del>7.24</del>	<del>POLY BAGS</del>	<del>-</del>	<del>NO</del>	<del>OB</del>
<del>68737-XYX</del>	<del>0.440</del>	<del>11.18</del>	<del>0.110</del>	<del>2.79</del>	<del>0.230</del>	<del>5.84</del>	<del>POLY BAGS</del>	<del>-</del>	<del>YES</del>	
<del>68738-XYX</del>	<del>0.615</del>	<del>15.62</del>	<del>0.115</del>	<del>2.92</del>	<del>0.400</del>	<del>10.16</del>	<del>POLY BAGS</del>	<del>-</del>	<del>NO</del>	<del>OB</del>
<del>68739-XYX</del>	<del>0.486</del>	<del>12.34</del>	<del>0.156</del>	<del>3.96</del>	<del>0.230</del>	<del>5.84</del>	<del>POLY BAGS</del>	<del>-</del>	<del>NO</del>	
<del>68743-XYX</del>	<del>0.638</del>	<del>16.21</del>	<del>0.220</del>	<del>5.59</del>	<del>0.318</del>	<del>8.08</del>	<del>POLY BAGS</del>	<del>-</del>	<del>NO</del>	
<del>68740-XYX</del>	<del>0.838</del>	<del>21.29</del>	<del>0.420</del>	<del>10.67</del>	<del>0.318</del>	<del>8.08</del>	<del>POLY BAGS</del>	<del>-</del>	<del>NO</del>	<del>OB</del>
<del>68779-XYX</del>	<del>0.736</del>	<del>18.69</del>	<del>0.318</del>	<del>8.08</del>	<del>0.318</del>	<del>8.08</del>	<del>POLY BAGS</del>	<del>-</del>	<del>NO</del>	
<del>68763-XYX</del>	<del>0.375</del>	<del>9.53</del>	<del>0.045</del>	<del>1.14</del>	<del>0.230</del>	<del>5.84</del>	<del>POLY BAGS</del>	<del>-</del>	<del>NO</del>	<del>OB</del>
<del>68799-XYX</del>	<del>0.925</del>	<del>23.50</del>	<del>0.595</del>	<del>15.11</del>	<del>0.230</del>	<del>5.84</del>	<del>POLY BAGS</del>	<del>-</del>	<del>NO</del>	<del>OB</del>

FCconnect.com



Copyright FCI

mat'l. code	surface
NOTE 2 & 3	ISO 1302 ✓
ltr ecn no	date
DH	tolerances unless
	angles
	lineal
	dr
	T.BREWBA
	T.HANN
	engr
	chr
	J.MURP
	T.HANN
sheet index	revision sheet

form: A3

3

2

1

4 PDS: Rev

PRODUCT NUMBER	TOT. PIN LGTH.		TAIL LENGTH		MATING LENGTH		PACKAGING	NOTES	BERGSTRIPTM AVAILABLE
	DIM F	DIM F	DIM G	DIM G	DIM H	DIM H			
	ENGLISH	METRIC	ENGLISH	METRIC	ENGLISH	METRIC			
<del>69132--XYX</del>	<del>0.760</del>	<del>19.30</del>	<del>0.120</del>	<del>3.05</del>	<del>0.540</del>	<del>13.72</del>	<del>POLY-BAGS/TUBES</del>		<del>NO</del>
69133--XYX	0.615	15.62	0.285	7.24	0.230	5.84	POLY BAGS	-	NO
69157--XYX	0.410	10.41	0.110	2.79	0.200	5.08	POLY BAGS	-	NO
<del>71217--XYH</del>	<del>1.000</del>	<del>25.40</del>	<del>0.450</del>	<del>11.43</del>	<del>0.450</del>	<del>11.43</del>	<del>POLY-BAGS</del>		<del>NO</del>
<del>71222--XYH</del>	<del>0.850</del>	<del>21.59</del>	<del>0.250</del>	<del>6.35</del>	<del>0.500</del>	<del>12.70</del>	<del>POLY-BAGS</del>		<del>NO</del>
<del>72273--XYH</del>	<del>0.725</del>	<del>18.42</del>	<del>0.110</del>	<del>2.79</del>	<del>0.515</del>	<del>13.08</del>	<del>POLY-BAGS</del>		<del>NO</del>
<del>72448--XYH</del>	<del>0.658</del>	<del>16.71</del>	<del>0.172</del>	<del>4.37</del>	<del>0.386</del>	<del>9.80</del>	<del>POLY-BAGS</del>		<del>NO</del>
<del>72455--XYH</del>	<del>0.598</del>	<del>15.19</del>	<del>0.180</del>	<del>4.57</del>	<del>0.318</del>	<del>8.08</del>	<del>POLY-BAGS</del>		<del>NO</del>
72455=632HG	0.598	15.19	0.180	4.57	0.318	8.08	GPAX	NOTE 1	NO
<del>73503--XYH</del>	<del>0.420</del>	<del>10.67</del>	<del>0.120</del>	<del>3.05</del>	<del>0.200</del>	<del>5.08</del>	<del>POLY-BAGS</del>		<del>NO</del>
<del>73596--XYH</del>	<del>0.795</del>	<del>20.19</del>	<del>0.110</del>	<del>2.79</del>	<del>0.585</del>	<del>14.86</del>	<del>POLY-BAGS</del>		<del>NO</del>
<del>74317--XYH</del>	<del>0.532</del>	<del>13.51</del>	<del>0.309</del>	<del>7.85</del>	<del>0.123</del>	<del>3.12</del>	<del>POLY-BAGS</del>	NOTE 11	NO
<del>74318--XYH</del>	<del>0.592</del>	<del>15.04</del>	<del>0.369</del>	<del>9.37</del>	<del>0.123</del>	<del>3.12</del>	<del>POLY-BAGS</del>	NOTE 11	NO
<del>74999--XYH</del>	<del>0.508</del>	<del>12.90</del>	<del>0.090</del>	<del>2.29</del>	<del>0.318</del>	<del>8.08</del>	<del>POLY-BAGS</del>		<del>NO</del>
<del>78212--XYX</del>	<del>0.710</del>	<del>18.03</del>	<del>0.350</del>	<del>8.89</del>	<del>0.260</del>	<del>6.60</del>	<del>POLY-BAGS</del>		<del>NO</del>
78233--XYX	0.568	14.43	0.150	3.81	0.318	8.08	POLY BAGS	-	NO
<del>78269--XYX</del>	<del>0.385</del>	<del>9.78</del>	<del>0.095</del>	<del>2.41</del>	<del>0.190</del>	<del>4.83</del>	<del>POLY-BAGS</del>		<del>NO</del>
<del>78286--XYX</del>	<del>0.500</del>	<del>12.70</del>	<del>0.160</del>	<del>4.06</del>	<del>0.240</del>	<del>6.10</del>	<del>POLY-BAGS/TUBES</del>		<del>NO</del>
78932--XYX	UNAVAILABLE	UNAVAILABLE	UNAVAILABLE	UNAVAILABLE	UNAVAILABLE	UNAVAILABLE		-	-
<del>78933--XYX</del>	<del>0.695</del>	<del>17.65</del>	<del>0.285</del>	<del>7.24</del>	<del>0.310</del>	<del>7.87</del>	<del>POLY-BAGS</del>		<del>NO</del>
<del>78988--XYX</del>	<del>0.540</del>	<del>13.72</del>	<del>0.135</del>	<del>3.43</del>	<del>0.305</del>	<del>7.75</del>	<del>POLY-BAGS</del>		<del>NO</del>
78989--XYX	UNAVAILABLE	UNAVAILABLE	UNAVAILABLE	UNAVAILABLE	UNAVAILABLE	UNAVAILABLE		-	-
78990--XYX	UNAVAILABLE	UNAVAILABLE	UNAVAILABLE	UNAVAILABLE	UNAVAILABLE	UNAVAILABLE		-	-
78991--XYX	UNAVAILABLE	UNAVAILABLE	UNAVAILABLE	UNAVAILABLE	UNAVAILABLE	UNAVAILABLE		-	-
78992--XYX	UNAVAILABLE	UNAVAILABLE	UNAVAILABLE	UNAVAILABLE	UNAVAILABLE	UNAVAILABLE		-	-
78993--XYX	UNAVAILABLE	UNAVAILABLE	UNAVAILABLE	UNAVAILABLE	UNAVAILABLE	UNAVAILABLE		-	-
78994--XYX	UNAVAILABLE	UNAVAILABLE	UNAVAILABLE	UNAVAILABLE	UNAVAILABLE	UNAVAILABLE		-	-



mat'l. code		surface	
NOTE 2 & 3		ISO 1302 ✓	
ltr	ecn no	dr	date
tolerances unless			
DH		angles	lineal
		0°±2'	
		dr	T.BREWA/
		engr	T.HANN
		chr	J.MURP
		appd	T.HANN
sheet index	revision	sheet	

PRODUCT NUMBER	TOT. PIN LGTH.		TAIL LENGTH		MATING LENGTH		PACKAGING	NOTES	BERGSTRIPTM AVAILABLE
	DIM F	DIM G	DIM F	DIM G	DIM H	DIM H			
	ENGLISH	METRIC	ENGLISH	METRIC	ENGLISH	METRIC			
78995--XYX	UNAVAILABLE	UNAVAILABLE	UNAVAILABLE	UNAVAILABLE	UNAVAILABLE	UNAVAILABLE		-	N
78996--XYX	UNAVAILABLE	UNAVAILABLE	UNAVAILABLE	UNAVAILABLE	UNAVAILABLE	UNAVAILABLE		-	N
-79242--XYX	0.930	23.62	0.340	8.64	0.490	12.45	POLY BAGS		NO
-79243--XYX	1.230	31.24	0.390	9.91	0.740	18.80	POLY BAGS		NO
79244--XYX	UNAVAILABLE	UNAVAILABLE	UNAVAILABLE	UNAVAILABLE	UNAVAILABLE	UNAVAILABLE		-	N
-79268--XYX	1.020	25.91	0.120	3.05	0.800	20.32	POLY BAGS		NO
-79271--XYX	1.100	27.94	0.500	12.70	0.500	12.70	POLY BAGS		NO
79425--XYX	0.410	10.41	0.120	3.05	0.190	4.83	POLY BAGS	-	NO
79821--XYX	0.730	18.54	0.200	5.08	0.430	10.92	POLY BAGS	-	NO
-84610--XYX	0.380	9.65	0.120	3.05	0.160	4.06	POLY BAGS		NO
-84760--XYX	0.870	22.09	0.150	3.81	0.620	15.74	POLY BAGS		NO
-84784--XYX	1.130	28.70	0.122	3.09	0.908	23.06	POLY BAGS		NO
-84934--XYX	1.375	34.93	0.625	15.88	0.650	16.51	POLY BAGS		NO
-84976--XYX	0.730	18.54	0.400	10.16	0.230	5.84	POLY BAGS		NO
86503--XYX	0.470	11.94	0.120	3.05	0.250	6.35	POLY BAGS	-	NO
-86581--XYX	0.450	11.43	0.120	3.05	0.230	5.84	POLY BAGS	NOTE 8	NO
-86817--XYX	0.925	23.50	0.120	3.05	0.705	17.91	POLY BAGS		NO
-86827--XYX	0.700	17.78	0.120	3.05	0.480	12.19	POLY BAGS		NO
86832--XYX	0.525	13.34	0.100	2.54	0.325	8.26	POLY BAGS	-	NO
-86834--XYX	1.335	33.91	0.585	14.86	0.650	16.51	POLY BAGS		NO
-86836--XYX	0.870	22.10	0.120	3.05	0.650	16.51	POLY BAGS		NO
86837--XYX	0.600	15.24	0.120	3.05	0.380	9.65	POLY BAGS	-	NO
-87037--XYX	1.240	31.50	0.120	3.05	1.020	25.91	POLY BAGS		NO
87052--XYX	0.990	25.15	0.120	3.05	0.770	19.56	POLY BAGS	-	NO
-87203--XYX	0.545	13.84	0.150	3.81	0.295	7.49	POLY BAGS		NO
-87344--XYX	1.375	34.93	0.219	5.56	1.056	26.82	POLY BAGS		NO

A

B

C

D

Falconnect.com



Copyright FCI

form: A3

mat'l. code		surface	
NOTE 2 & 3		ISO 1302	
ltr	ecn no	dr	date
tolerances unless			
DH		angles	lineal
		0°±2'	
		dr	T.BREWB/A
		engr	T.HANN
		chr	J.MURP
		appd	T.HANN
sheet index	revision	sheet	

3

2

1

form: A3

D

4

PDS: Rev



PRODUCT NUMBER	TOT. PIN LGTH.		TAIL LENGTH		MATING LENGTH		PACKAGING	NOTES	BERGSTRIIP AVAILABLE
	DIM F	DIM F	DIM G	DIM G	DIM H	DIM H			
	ENGLISH	METRIC	ENGLISH	METRIC	ENGLISH	METRIC			
<del>94010</del> - <del>XYH</del>	<del>0.756</del>	<del>19.20</del>	<del>0.350</del>	<del>8.89</del>	<del>0.306</del>	<del>7.77</del>	<del>POLY BAGS</del>		<del>NO</del>
<del>94532</del> - <del>XYH</del>	<del>1.250</del>	<del>31.75</del>	<del>0.450</del>	<del>11.43</del>	<del>0.700</del>	<del>17.78</del>	<del>POLY BAGS</del>		<del>NO</del>
<del>95105</del> - <del>XY</del>	<del>0.370</del>	<del>9.40</del>	<del>0.126</del>	<del>3.20</del>	<del>0.144</del>	<del>3.66</del>	<del>POLY BAGS</del>		<del>NO</del>
<del>95645</del> - <del>XYH</del>	<del>0.350</del>	<del>8.89</del>	<del>0.100</del>	<del>2.54</del>	<del>0.150</del>	<del>3.81</del>	<del>POLY BAGS</del>		<del>NO</del>
<del>95652</del> - <del>XYH</del>	<del>0.500</del>	<del>12.70</del>	<del>0.070</del>	<del>1.78</del>	<del>0.330</del>	<del>8.38</del>	<del>POLY BAGS</del>		<del>NO</del>
<del>95665</del> - <del>XYH</del>	<del>0.835</del>	<del>21.21</del>	<del>0.335</del>	<del>8.51</del>	<del>0.400</del>	<del>10.16</del>	<del>POLY BAGS</del>		<del>NO</del>
95687-XYH	0.820	20.83	0.360	9.14	0.360	9.14	POLY BAGS	-	NO
<del>95712</del> - <del>XYH</del>	<del>1.090</del>	<del>27.69</del>	<del>0.110</del>	<del>2.79</del>	<del>0.880</del>	<del>22.35</del>	<del>POLY BAGS</del>		<del>NO</del>
<del>95727</del> - <del>XYH</del>	<del>0.825</del>	<del>20.96</del>	<del>0.110</del>	<del>2.79</del>	<del>0.615</del>	<del>15.62</del>	<del>POLY BAGS</del>		<del>NO</del>
<del>98181</del> - <del>XYH</del>	<del>0.760</del>	<del>19.30</del>	<del>0.218</del>	<del>5.54</del>	<del>0.442</del>	<del>11.23</del>	<del>POLY BAGS</del>		<del>NO</del>
<del>98217</del> - <del>XYH</del>	<del>0.756</del>	<del>19.20</del>	<del>0.328</del>	<del>8.33</del>	<del>0.328</del>	<del>8.33</del>	<del>POLY BAGS</del>		<del>NO</del>
<del>98329</del> - <del>XYH</del>	<del>0.930</del>	<del>23.62</del>	<del>0.415</del>	<del>10.54</del>	<del>0.415</del>	<del>10.54</del>	<del>POLY BAGS</del>		<del>NO</del>
<del>98854</del> - <del>XYH</del>	<del>0.450</del>	<del>11.43</del>	<del>0.120</del>	<del>3.05</del>	<del>0.230</del>	<del>5.84</del>	<del>TUBES</del>		<del>NO</del>
10017852-XYH	0.450	11.43	0.125	3.18	0.225	5.72	POLYBAGS		NO
10074747-XYH	0.850	21.59	0.520	13.21	0.230	5.84	POLYBAGS		NO

A

B

Falconnect.com



C

Copyright FCI

D

form: A3

1

2



3

4 PDS: Rev

mat'l. code		surface	
NOTE 2 & 3		ISO 1302	
ltr	ecn no	dr	date
DH			
		tolerances unless	
		angles	lineal
		0°±2'	
		dr	T.BREWB/A
		engr	T.HANN
		chr	J.MURP
		appd	T.HANN
sheet	revision		
index	sheet		

## Looking for pricing, stock, or lifecycle information?

Click below to explore more details on WIN SOURCE:

-  [View 67996-108HLF on WIN SOURCE](#)
-  [Amphenol FCI Information](#)

## Optimize Your Supply Chain with WIN SOURCE Solutions

-  Global Sourcing Solution
-  Obsolete Management
-  Cost Control Management
-  Shortage Management
-  Alternative Solution
-  Excess Inventory Management