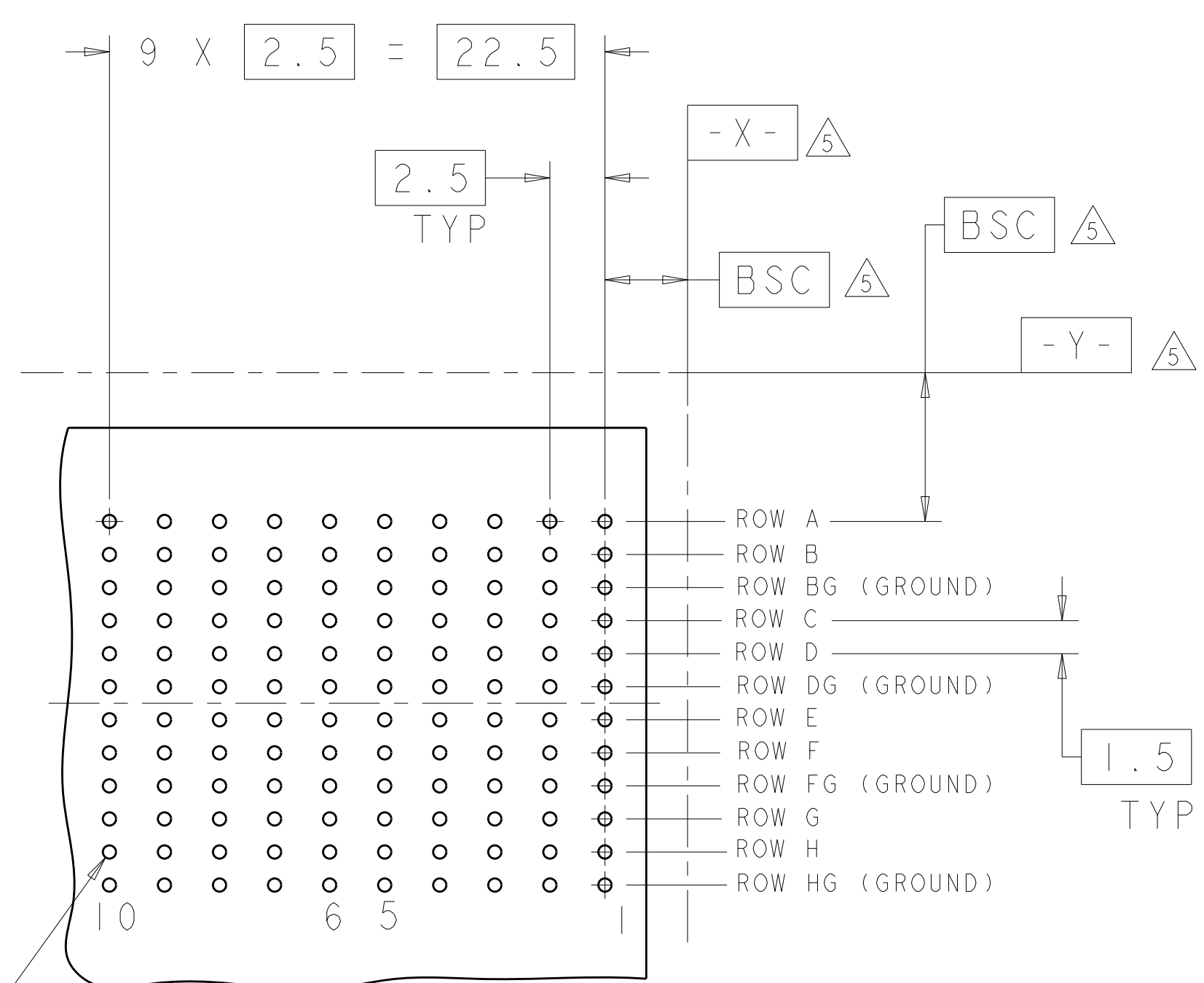
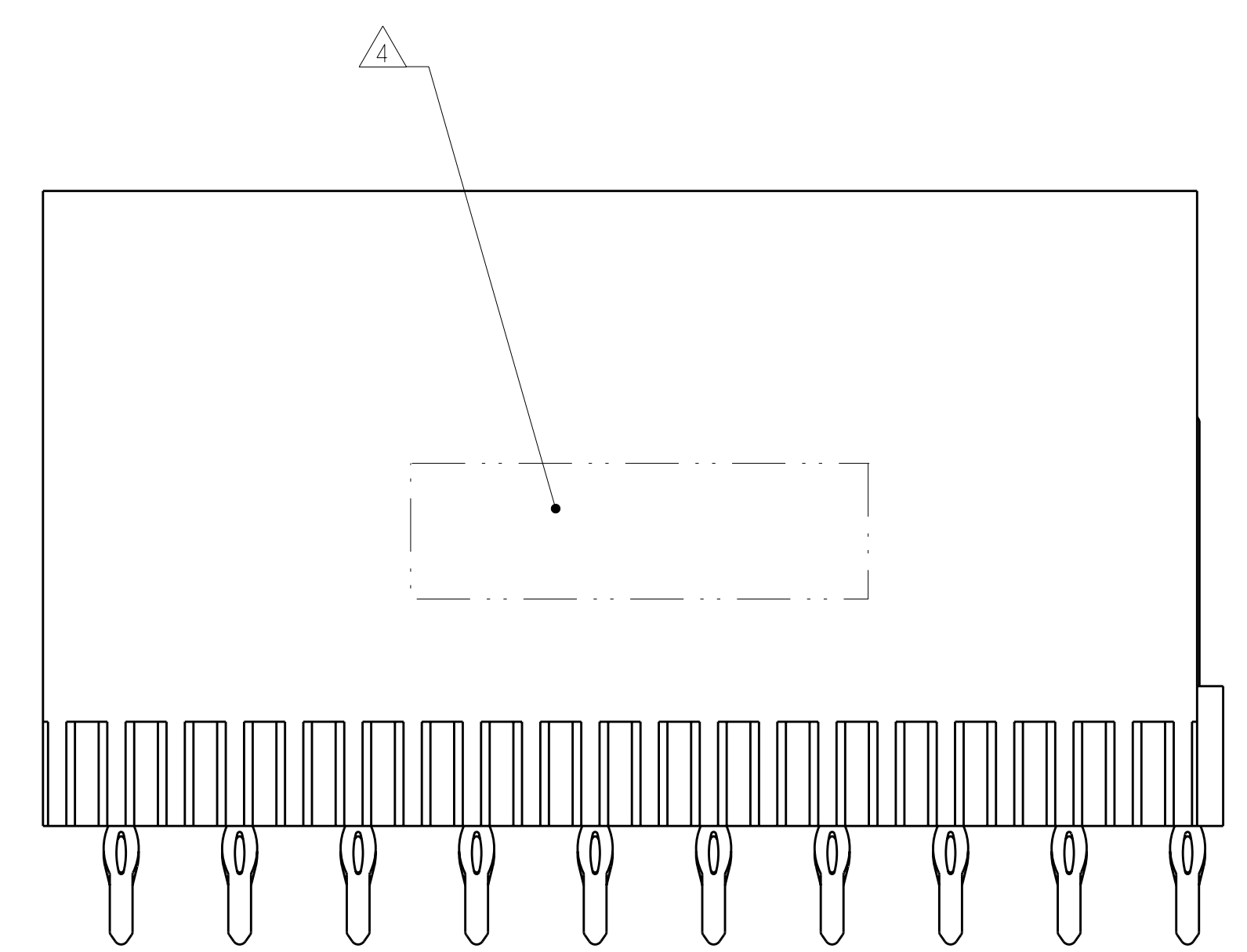
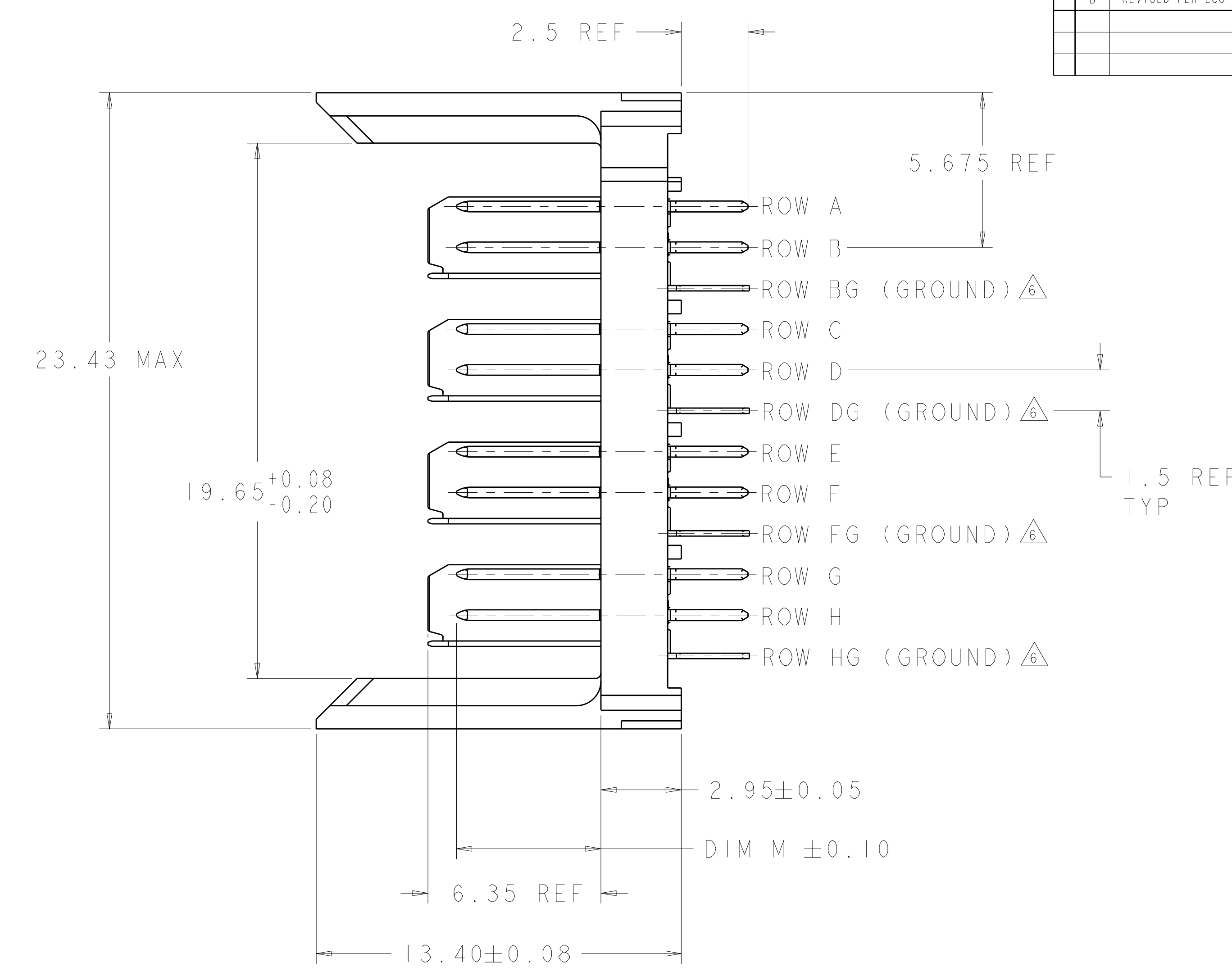
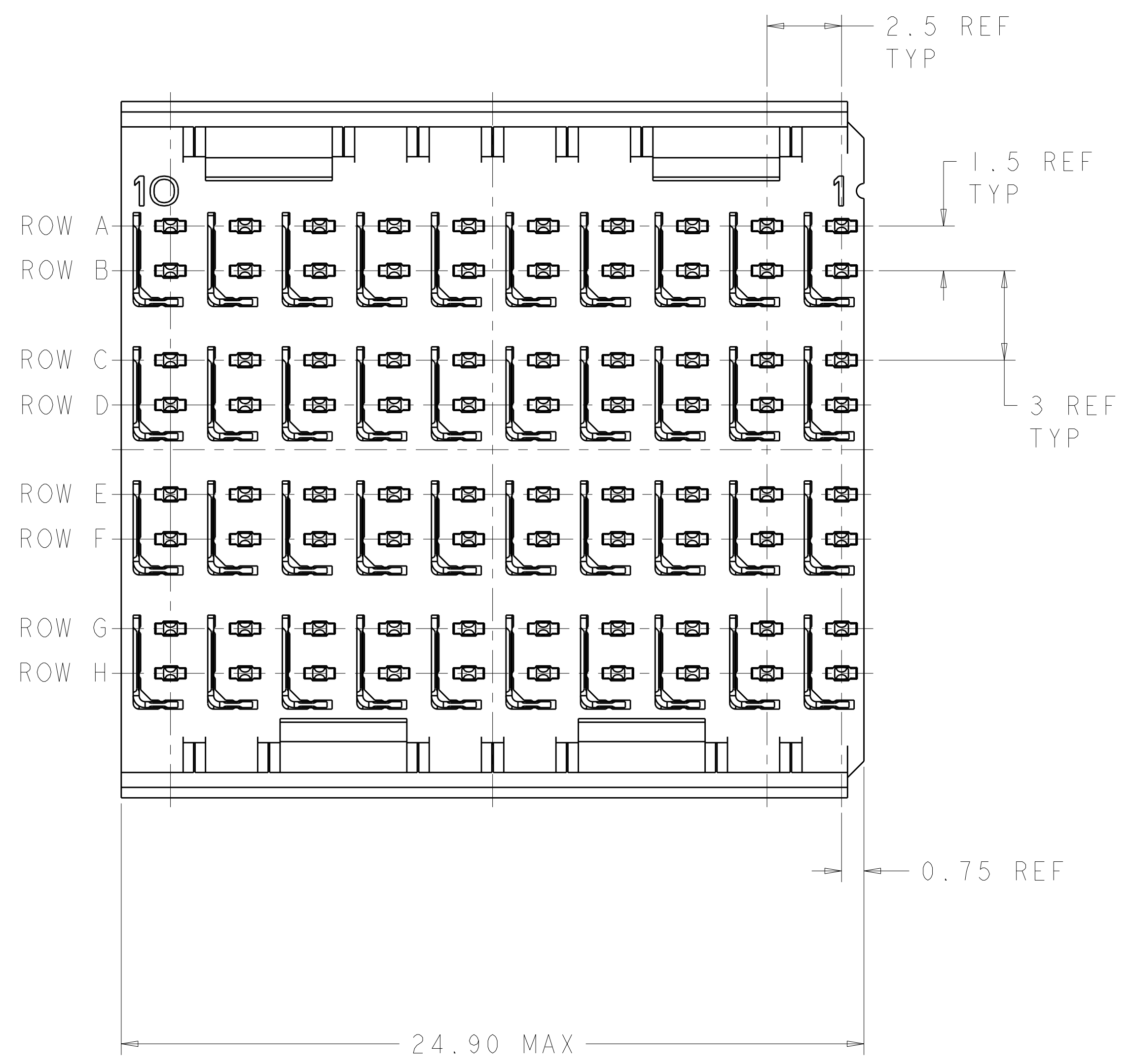


| LOC | | DIST | | REVISIONS | | | |
|-----|----|------|-----|---------------------------|---------|-----|------|
| AD | 00 | P | LTR | DESCRIPTION | DATE | DWN | APVD |
| | | B | | REVISED PER ECO-12-000118 | 17JAN12 | KH | DY |



- ① REFERENCE APPLICATION SPEC 114-13059 FOR RECOMMENDED PLATED THRU HOLE DIAMETER AND PLATING THICKNESSES.
- ② MATERIAL:
CONTACT AND SHIELD - PHOSPHOR BRONZE
HOUSING - GLASS FILLED POLYESTER, UL 94V-0.
- ③ FINISH: SIGNAL AND GROUND CONTACTS:
MATING AREA: MEETS THE PERFORMANCE REQUIREMENTS OF PRODUCT SPECIFICATION 108-2055; BASED ON TELCORDIA GR-1217-CORE, APPLICATIONS IN UNCONTROLLED ENVIRONMENTS
COMPLIANT PIN AREA: 0.5µm MIN MATTE TIN OVER BASE PLATING
- ④ CONNECTOR MARKED WITH PART NUMBER AND DATE CODE.
- ⑤ DATUMS AND BASIC DIMENSIONS ESTABLISHED BY CUSTOMER.
- ⑥ THE FOUR GROUNDS IN EACH COLUMN ARE COMMONED.
- 7. CONTACT AREA LUBRICATED WITH BELLCORE APPROVED LUBRICANT. TECHNICAL REFERENCE: GR-1217-CORE, ISSUE 1, NOVEMBER 1995.

⊕ Ø0.05Ⓢ X Y
 ALL PLATED THRU HOLES

RECOMMENDED PC BOARD LAYOUT, BACKPLANE, COMPONENT SIDE SHOWN
 SCALE 4:1

| | |
|-------|-------------|
| 3.80 | 6469002-2 |
| 5.30 | 6469002-1 |
| DIM M | PART NUMBER |

| | | | |
|--|---|-------------------------------|--|
| THIS DRAWING IS A CONTROLLED DOCUMENT. | | DWN S. J. MAGARO 17JUN2004 | TE Connectivity |
| DIMENSIONS: mm | | CHK R. A. PATTERSON 17JUN2004 | |
| TOLERANCES UNLESS OTHERWISE SPECIFIED: | | APVD P. PATTERSON 16AUG2007 | NAME |
| 9 PLC | ± | PRODUCT SPEC | HEADER ASSEMBLY, 4 PAIR, 2.5mm TAIL, 25mm HMZd |
| 3 PLC | ± | APPLICATION SPEC | |
| 5 PLC | ± | WEIGHT | |
| 4 PLC | ± | CUSTOMER DRAWING | |
| ANGLES | ± | SCALE 3:1 | |
| FINISH | ± | SHEET 1 OF 1 | |

Looking for pricing, stock, or lifecycle information?

Click below to explore more details on WIN SOURCE:

 [View 6469002-1 on WIN SOURCE](#)

 [TE Connectivity](#) Information

Optimize Your Supply Chain with WIN SOURCE Solutions

-  Global Sourcing Solution
-  Obsolete Management
-  Cost Control Management
-  Shortage Management
-  Alternative Solution
-  Excess Inventory Management