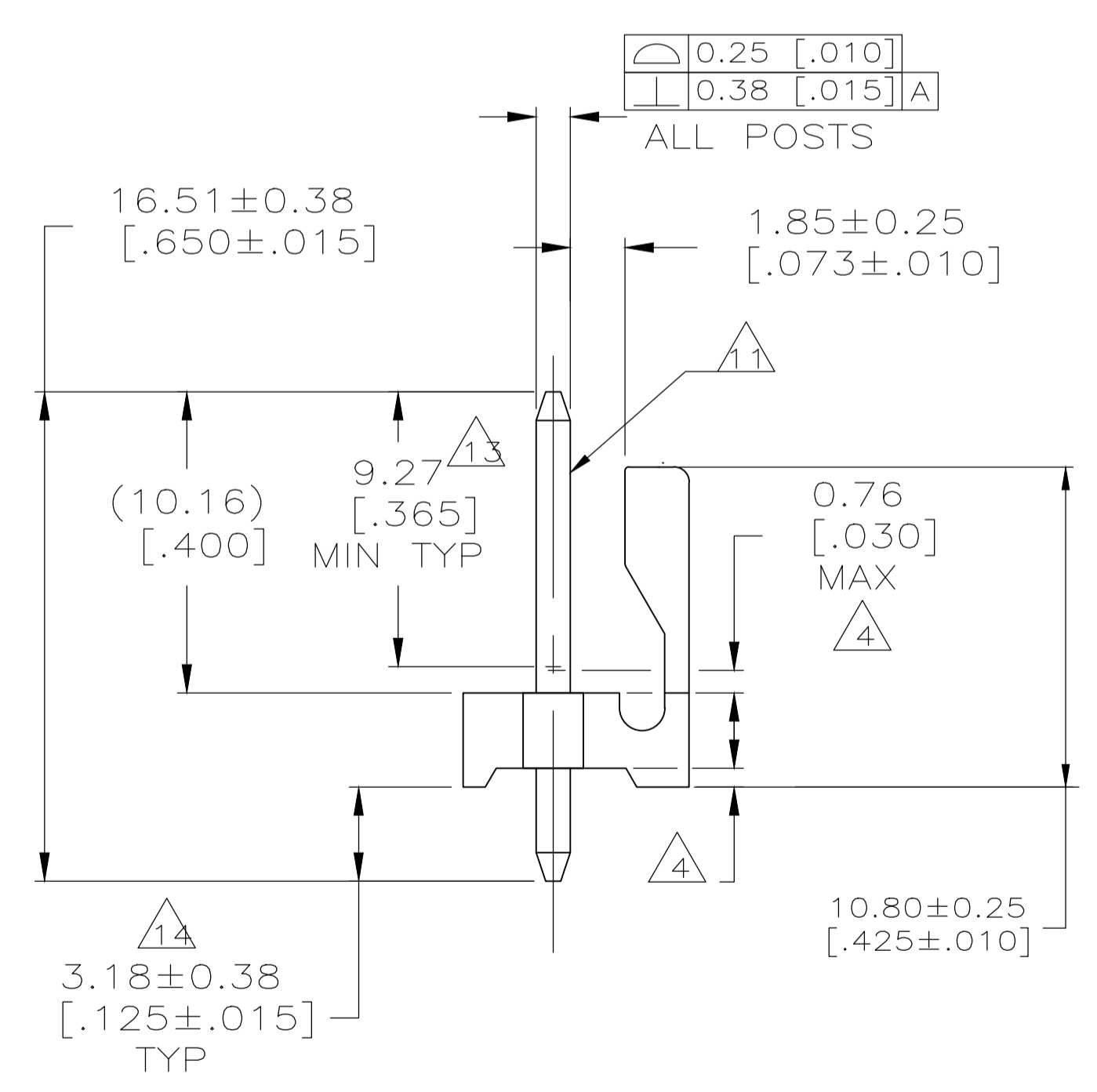
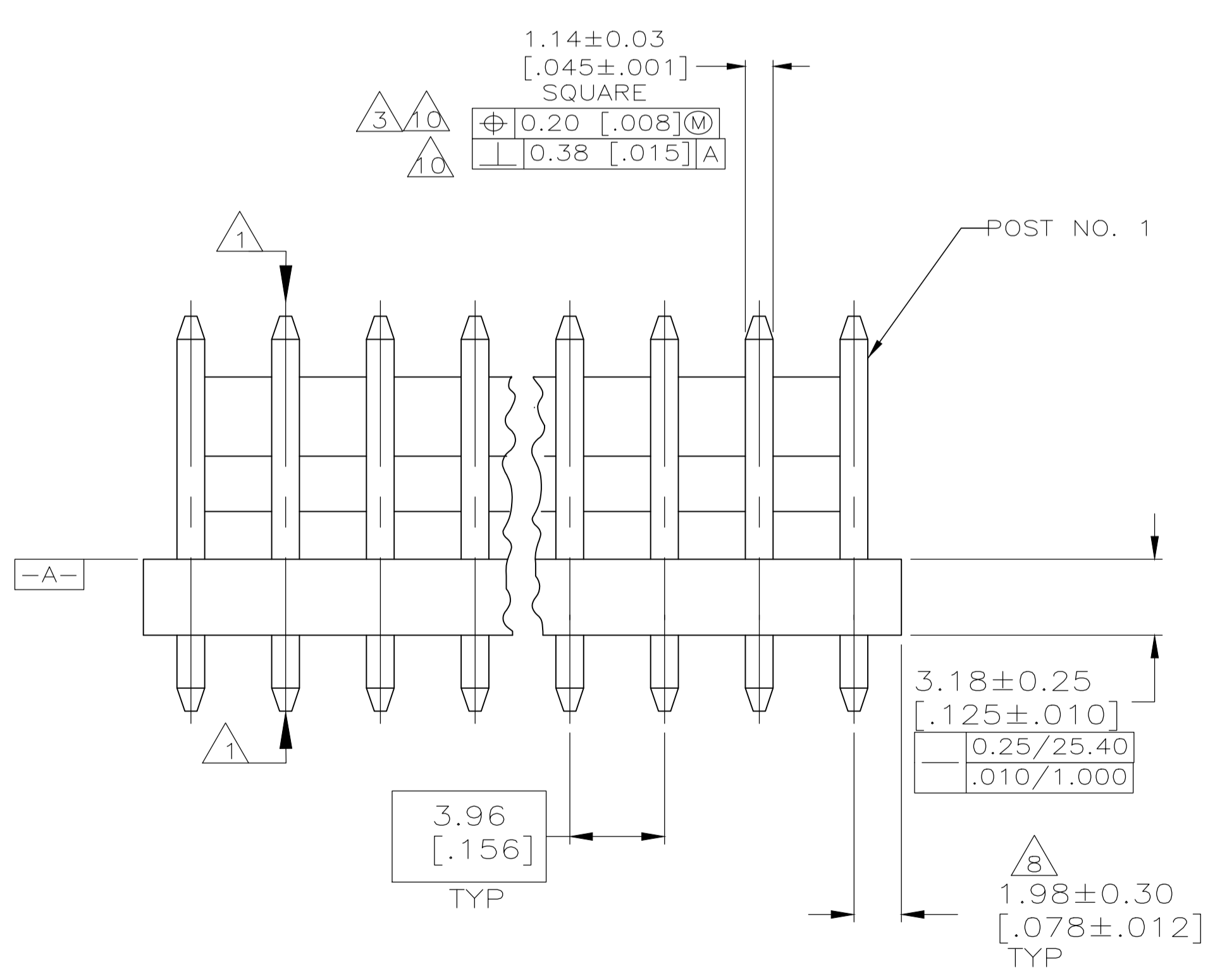
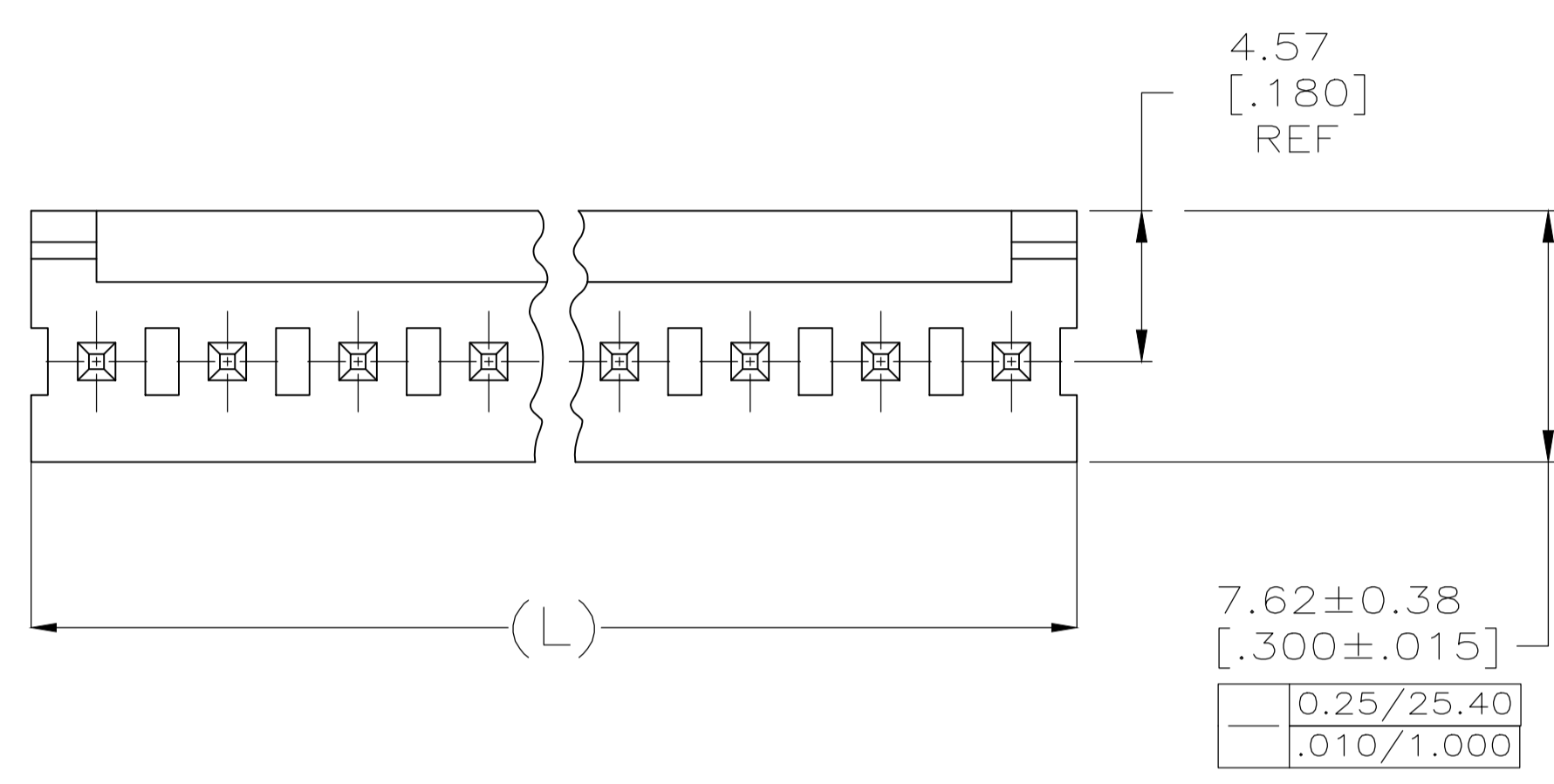
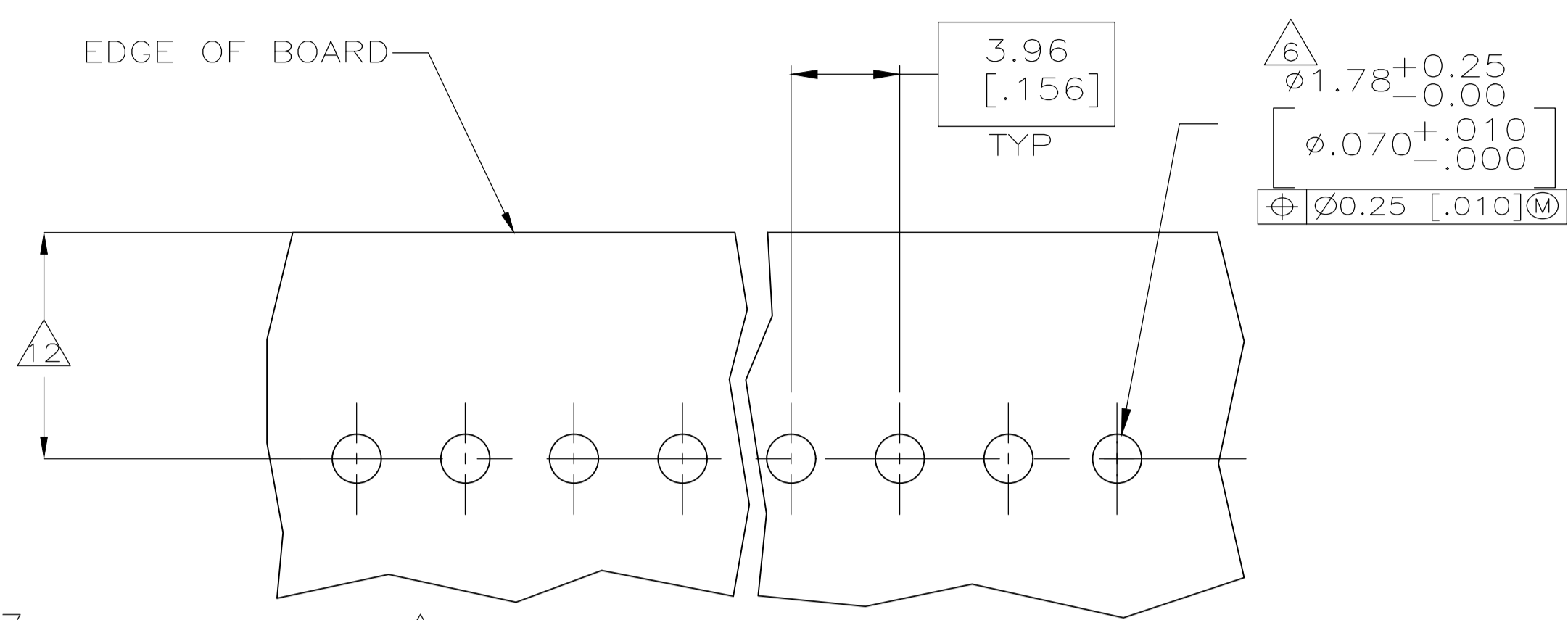




THE DATASHEET OF
3-641208-5



REVISIONS				
P	LTR	DESCRIPTION	DATE	BY
AC3		REVISED PER ECR-18-007590	21JUN2018	BDA SG



- 1 POST TO WITHSTAND 13 NEWTONS (3 LBS) MINIMUM AXIAL FORCE IN BOTH DIRECTIONS SHOWN WITHOUT DISLODGING.
- 2 TOLERANCES APPLY TO SOLDER SIDE OF BOARD.
- 3 MEASURED AT SURFACE -A-
- 4 PLASTIC FLASH PERMITTED IN THIS AREA.
- 5 PARTS COMPLY WITH AMP SOLDERABILITY SPEC. NO. 109-11-2.
- 6 ONE HOLE MAY BE UNDERSIZED 1.65/1.52 [.065/.060] DIA. FOR ASSEMBLY RETENTION DURING WAVE SOLDERING.
- 7 MATERIAL: HEADER-THERMOPLASTIC POLYESTER GLASS-FILLED 94V-0 (NATURAL) POST-COPPER ALLOY (SEE NOTES 13 & 14 FOR PLATING)
- 8 COORDINATE DIMENSION APPLIES FROM CENTER OF ACTUAL FEATURE.
- 9 PLASTIC BURRS CAUSED BY CUT-OFF TOOLING ARE PERMITTED WITHIN THE MAXIMUM TOLERANCE ENVELOPE.
- 10 POST TO BE MEASURED WHEN STRIP IS HELD FLAT.
- 11 POST MUST WITHSTAND TWO 90° BENDS AGAINST EXTRUSION WITHOUT BREAKING.
- 12 DIMENSION SHOULD BE 4.45 [.175] MIN WHEN MATING WITH A MTA-156 CONNECTOR ASSEMBLY OR A SL-156 CONNECTOR ASSEMBLY.
- 13 PLATING: GOLD PLATE AREA, 0.00076 [.000030] GOLD OR 0.00008 [.000003] MIN GOLD FLASH OVER 0.00068 [.000027] PALLADIUM NICKEL, PER TE CONNECTIVITY'S DISCRETION, ALL SIDES, OVER NICKEL UNDERPLATE, 0.00127 [.000050] MIN, ALL SIDES AND ENTIRE LENGTH OF POST.
- 14 PLATING: BRIGHT TIN/LEAD (93/7) PLATE AREA, 0.00381-0.00889 [.000150-.000350] THICK, ALL FOUR SIDES 3.18 [.125] MINIMUM FOR -2 THRU -24. MATTE TIN PLATE AREA 0.00381-0.00889 [.000150-.000350] THICK ALL FOUR SIDES, 3.18 [.125] FOR -32 THRU -54.
- 15 OBSOLETE PARTS: OBSOLETE CIS STREAMLINING PER D.RENAUD/D.SINISI
- 16 OBSOLETE PARTS
- 17 VALUES FOR UL 61800-5-1

Flam	RTIe deg C	HWI	HAI	CTI
VO	120	PLC1	PLC0	PLC3_UL746

LEAD FREE	DIM (L)			NO. OF POSN	ASSEMBLY	LEAD	DIM (L)			NO. OF POSN	ASSEMBLY
	mm	[INCHES]	mm								
	95.10	[3.744]	24	5-641208-4	95.10	[3.744]	24	2-641208-4	15		
	91.14	[3.588]	23	5-641208-3	91.14	[3.588]	23	2-641208-3	15		
	87.17	[3.432]	22	5-641208-2	87.17	[3.432]	22	2-641208-2	15		
	83.21	[3.276]	21	5-641208-1	83.21	[3.276]	21	2-641208-1	15		
	79.25	[3.120]	20	5-641208-0	79.25	[3.120]	20	2-641208-0	16		
	75.29	[2.964]	19	4-641208-9	75.29	[2.964]	19	1-641208-9	15		
	71.32	[2.808]	18	4-641208-8	71.32	[2.808]	18	1-641208-8	16		
	67.36	[2.652]	17	4-641208-7	67.36	[2.652]	17	1-641208-7	16		
	63.40	[2.496]	16	4-641208-6	63.40	[2.496]	16	1-641208-6	16		
	59.44	[2.340]	15	4-641208-5	59.44	[2.340]	15	1-641208-5	16		
	55.47	[2.184]	14	4-641208-4	55.47	[2.184]	14	1-641208-4	16		
	51.51	[2.028]	13	4-641208-3	51.51	[2.028]	13	1-641208-3	16		
	47.55	[1.872]	12	4-641208-2	47.55	[1.872]	12	1-641208-2	16		
	43.59	[1.716]	11	4-641208-1	43.59	[1.716]	11	1-641208-1	16		
	39.62	[1.560]	10	4-641208-0	39.62	[1.560]	10	1-641208-0	16		
	35.66	[1.404]	9	3-641208-9	35.66	[1.404]	9	—641208-9	16		
	31.70	[1.248]	8	3-641208-8	31.70	[1.248]	8	—641208-8	16		
	27.74	[1.092]	7	3-641208-7	27.74	[1.092]	7	—641208-7	16		
	23.77	[.936]	6	3-641208-6	23.77	[.936]	6	641208-6	16		
	19.81	[.780]	5	3-641208-5	19.81	[.780]	5	—641208-5	16		
	15.85	[.624]	4	3-641208-4	15.85	[.624]	4	641208-4	16		
	11.89	[.468]	3	3-641208-3	11.89	[.468]	3	—641208-3	16		
	7.92	[.312]	2	3-641208-2	7.92	[.312]	2	—641208-2	16		
	DIM (L)		NO. OF POSN	ASSEMBLY	DIM (L)		NO. OF POSN	ASSEMBLY			

THIS DRAWING IS A CONTROLLED DOCUMENT.

DIMENSIONS: mm [INCHES]	TOLERANCES UNLESS OTHERWISE SPECIFIED:	DIN S. HOOVER 07-NOV-2002	TE Connectivity Ltd.
0 PLC ±	1 PLC ±	D. ROSSI 07-NOV-2002	NAME
2 PLC ±	3 PLC ±	D. ROSSI 07-NOV-2002	PRODUCT SPEC
4 PLC ±	ANGLES ±	APPLICATION SPEC	SIZE CASE CODE DRAWING NO
MATERIAL	FINISH	WEIGHT	A1 00779 C=641208
		CUSTOMER DRAWING	SCALE 5:1 SHEET 1 OF 1 REV AC3

MTA-156 HDR ASSY,FRCTN LCK, STRAIGHT, .045 SQUARE POST .000030 GOLD

Looking for pricing, stock, or lifecycle information?

Click below to explore more details on WIN SOURCE:

 [View 3-641208-5 on WIN SOURCE](#)

 [TE Connectivity](#) Information

Optimize Your Supply Chain with WIN SOURCE Solutions

-  Global Sourcing Solution
-  Obsolete Management
-  Cost Control Management
-  Shortage Management
-  Alternative Solution
-  Excess Inventory Management