



THE DATASHEET OF
638207-6



4

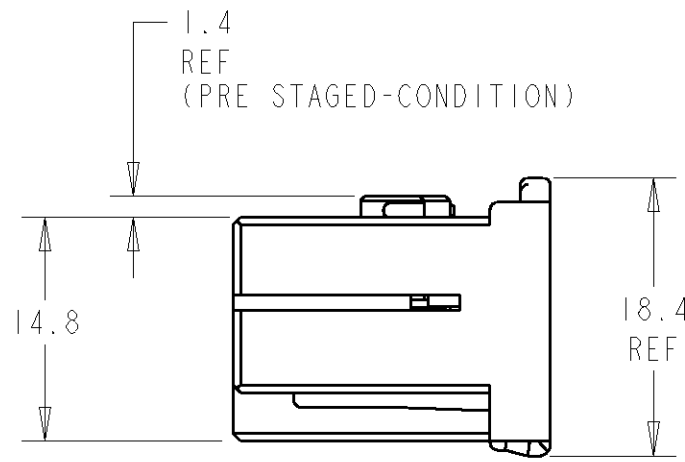
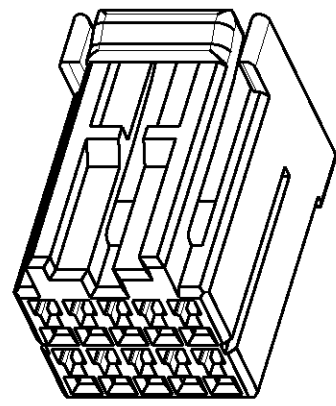
3

2

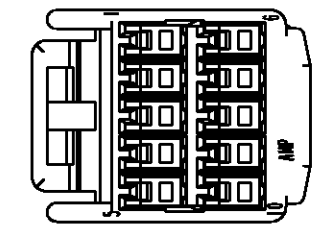
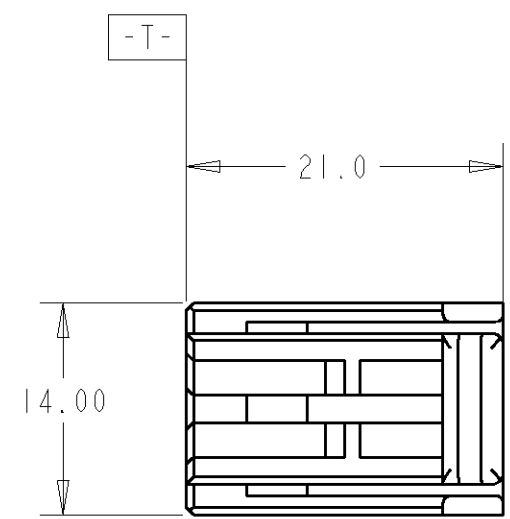
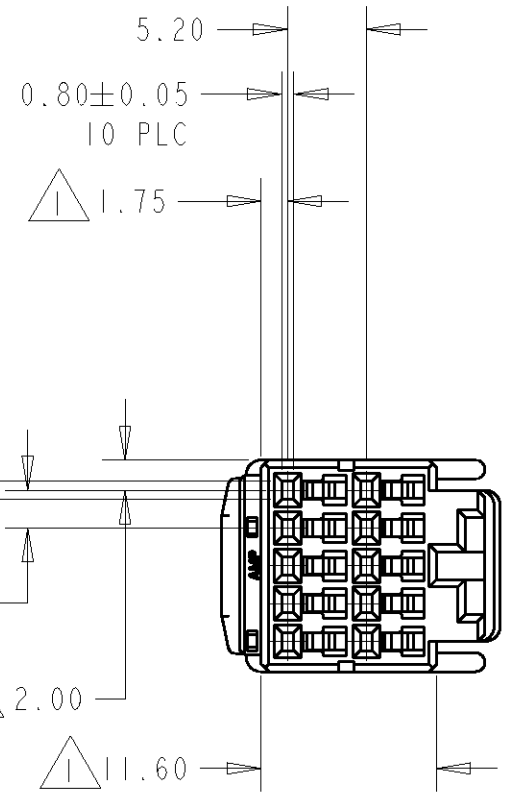
1

THIS DRAWING IS UNPUBLISHED. RELEASED FOR PUBLICATION 20
 © COPYRIGHT 19 BY TYCO ELECTRONICS CORPORATION. ALL RIGHTS RESERVED.

LOC	DIST	REVISIONS				
P	LTR	DESCRIPTION	DATE	DWN	APVD	
FX	55	E1	REV PER ECR 05-001267	18SEP2007	RGV	RMC



- 1. MUST BE KEPT BETWEEN AND 2.00mm FROM
- 2. APPLIED CONTACT PART NUMBERS: 175265 TIN PLATING
175266 SELECT GOLD PLATING




WHITE	ORANGE	638207-8
WHITE	GRAY	638207-6
LOCK PLATE COLOR	HOUSING COLOR	PART NUMBER

THIS DRAWING IS A CONTROLLED DOCUMENT FOR TYCO ELECTRONICS CORPORATION IT IS SUBJECT TO CHANGE AND THE CONTROLLING ENGINEERING ORGANIZATION SHOULD BE CONTACTED FOR THE LATEST REVISION.

DIMENSIONS: mm	TOLERANCES UNLESS OTHERWISE SPECIFIED: 0 PLC ±- 1 PLC ±0.3 2 PLC ±0.15 3 PLC ±- 4 PLC ±- ANGLES ±1°	DWN Y. PETERSON 27APR98 CHK S. KROEGER 27APR98 APVD S. KROEGER 27APR98	AMP Incorporated Harrisburg, PA 17105-3608	
MATERIAL PBT	FINISH -	PRODUCT SPEC 108-5342 APPLICATION SPEC -	NAME 040 MULTILOCK, 10 POSITION PLUG ASSY, KEY A	
		WEIGHT -	SIZE A3	CAGE CODE 00779
		CUSTOMER DRAWING	DRAWING NO C-638207	RESTRICTED TO -
			SCALE 2:1	SHEET 1 OF 1 REV E1

Looking for pricing, stock, or lifecycle information?

Click below to explore more details on WIN SOURCE:

 [View 638207-6 on WIN SOURCE](#)

 [TE Connectivity](#) Information

Optimize Your Supply Chain with WIN SOURCE Solutions

-  Global Sourcing Solution
-  Obsolete Management
-  Cost Control Management
-  Shortage Management
-  Alternative Solution
-  Excess Inventory Management