

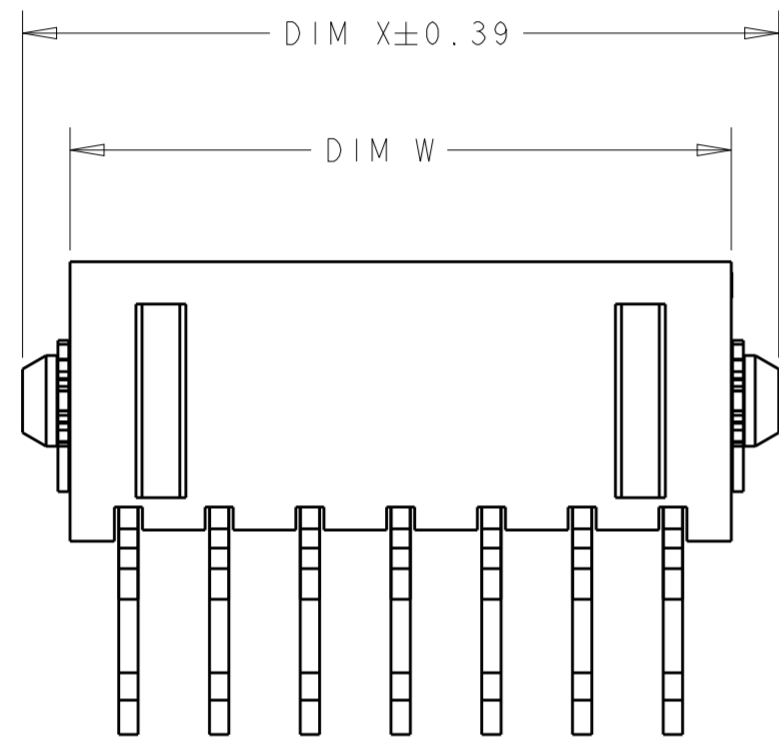
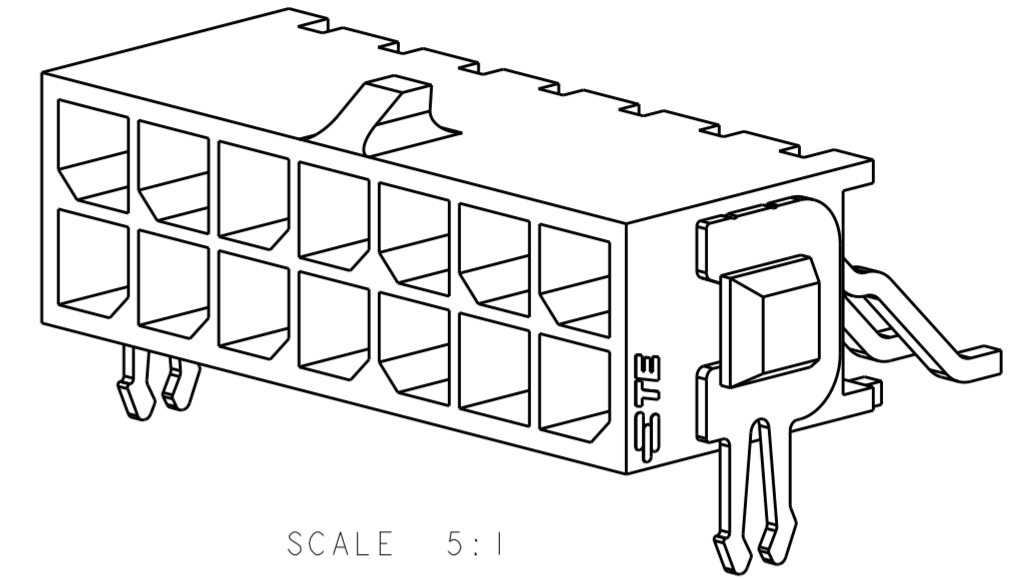
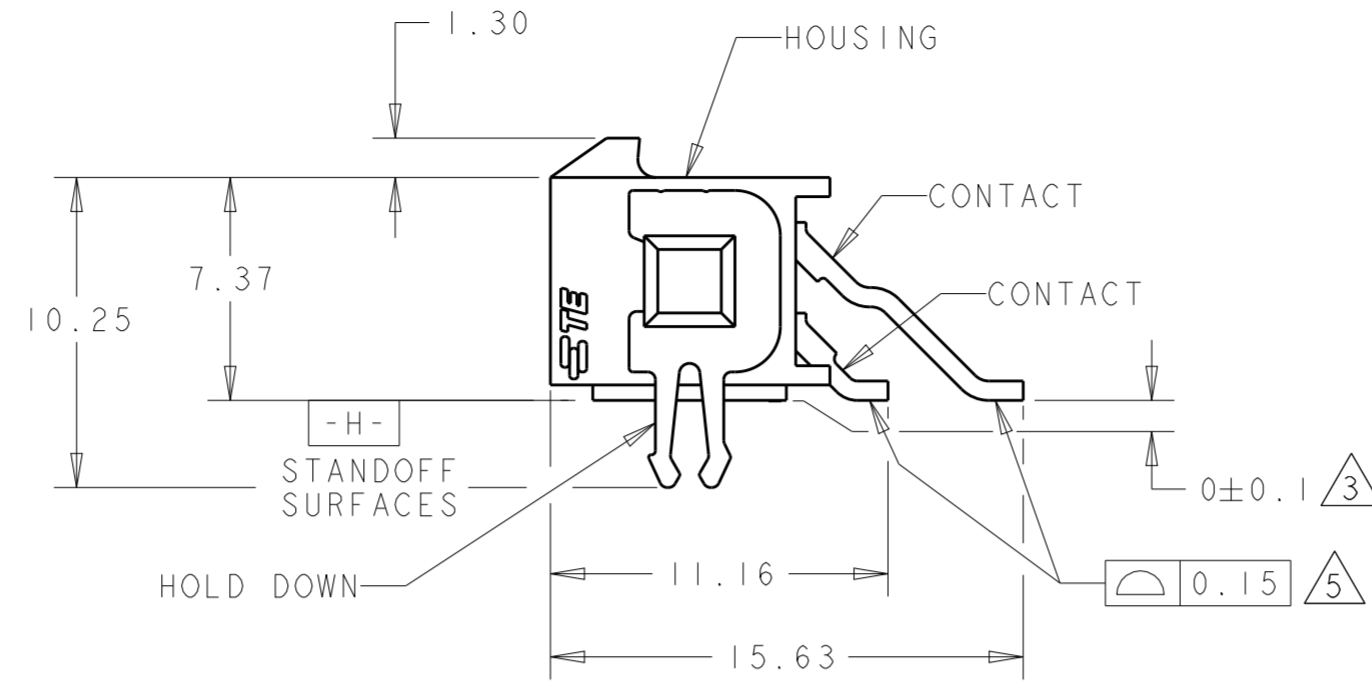
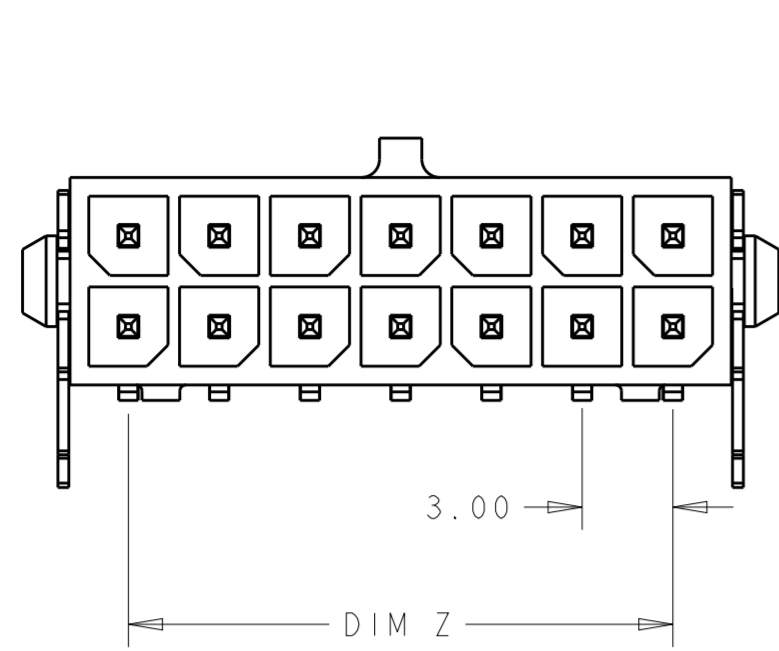


THE DATASHEET OF
3-794624-8

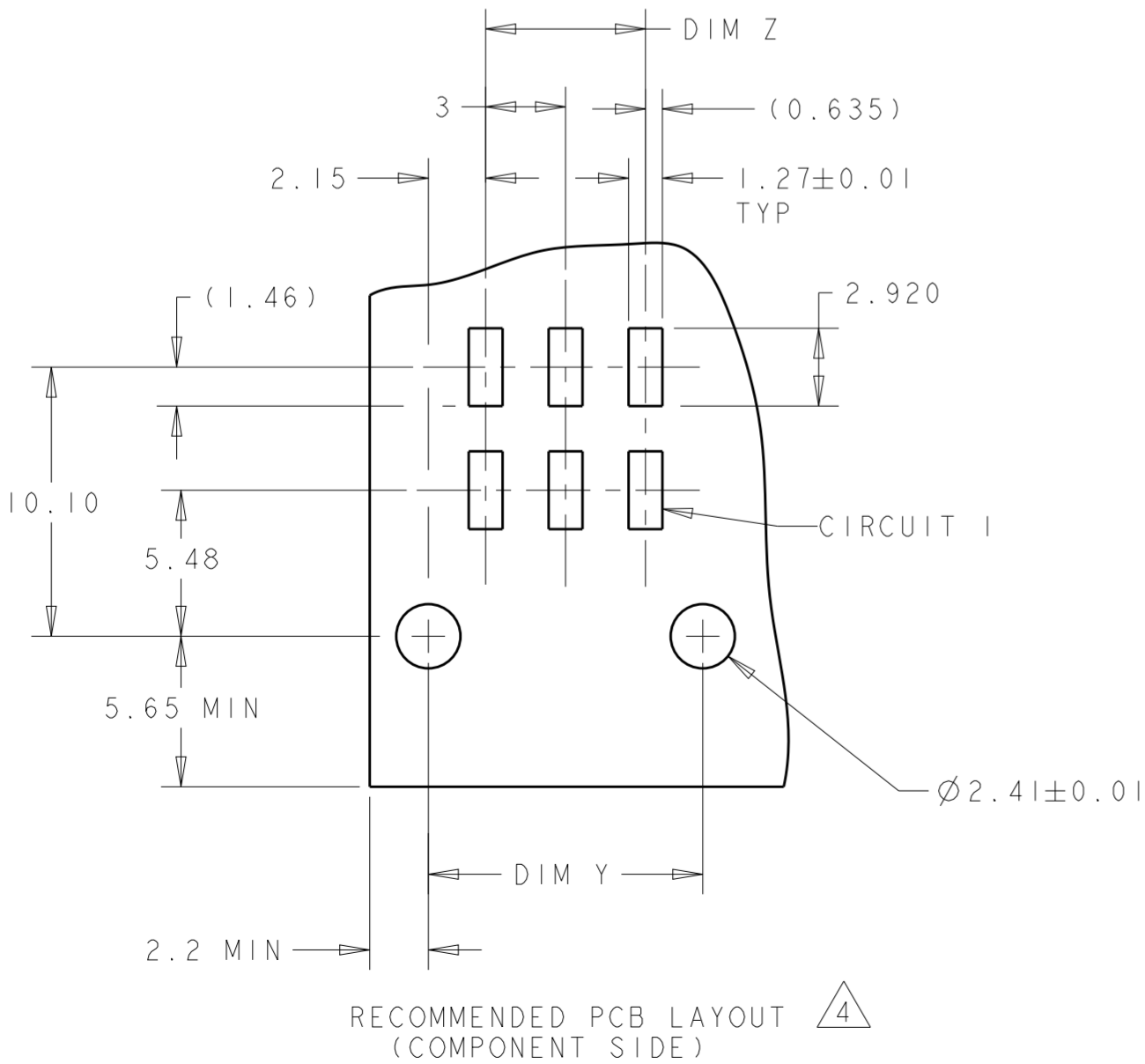


THIS DRAWING IS UNPUBLISHED. RELEASED FOR PUBLICATION 20
 © COPYRIGHT 20 BY - ALL RIGHTS RESERVED.

REVISIONS					
P	LTR	DESCRIPTION	DATE	DWN	APVD
G1		REVISED PER ECR-16-011494	22JUN2017	NK	CX
G2		ECO-19-006502	30APR2019	AP	WS



- 1 MATERIAL;
CONTACTS - BRASS.
HOUSING - UL 94V-0 RATED HIGH TEMP NYLON,
COLOR; BLACK.
HOLD DOWNS - PHOSPHOR BRONZE.
- 2 FINISH;
CONTACTS - 2.54µm MINIMUM TIN-LEAD OVER 1.27µm
MINIMUM NICKEL.
HOLD DOWNS - 2.54µm TIN LEAD.
- 3 DIMENSION APPLIES TO SOLDERTAIL SURFACES
AND STANDOFF SURFACES.
- 4 RECOMMENDED PC BOARD THICKNESS OF 1.57.
- 5 ALL SOLDERTAILS.
- 6 FINISH;
CONTACTS - 2.54µm MINIMUM MATTE TIN OVER 1.27µm
MINIMUM NICKEL.




36.86	37.30	33.00	40.00	24	5-794624-4	
33.86	34.30	30.00	37.00	22	5-794624-2	
30.86	31.30	27.00	34.00	20	5-794624-0	
27.86	28.30	24.00	31.00	18	4-794624-8	
24.86	25.30	21.00	28.00	16	4-794624-6	
21.86	22.30	18.00	25.00	14	4-794624-4	
18.86	19.30	15.00	22.00	12	4-794624-2	
15.86	16.30	12.00	19.00	10	4-794624-0	
12.86	13.30	9.00	16.00	8	3-794624-8	
9.86	10.30	6.00	13.00	6	3-794624-6	
6.86	7.30	3.00	10.00	4	3-794624-4	
3.86	4.30	-	7.00	2	3-794624-2	
SUPERSEDED BY 5-794624-4	36.86	37.30	33.00	40.00	24	2-794624-4
SUPERSEDED BY 5-794624-2	33.86	34.30	30.00	37.00	22	2-794624-2
SUPERSEDED BY 5-794624-0	30.86	31.30	27.00	34.00	20	2-794624-0
SUPERSEDED BY 4-794624-8	27.86	28.30	24.00	31.00	18	1-794624-8
SUPERSEDED BY 4-794624-6	24.86	25.30	21.00	28.00	16	1-794624-6
SUPERSEDED BY 4-794624-4	21.86	22.30	18.00	25.00	14	1-794624-4
SUPERSEDED BY 4-794624-2	18.86	19.30	15.00	22.00	12	1-794624-2
SUPERSEDED BY 4-794624-0	15.86	16.30	12.00	19.00	10	1-794624-0
SUPERSEDED BY 3-794624-8	12.86	13.30	9.00	16.00	8	794624-8
SUPERSEDED BY 3-794624-6	9.86	10.30	6.00	13.00	6	794624-6
SUPERSEDED BY 3-794624-4	6.86	7.30	3.00	10.00	4	794624-4
SUPERSEDED BY 3-794624-2	3.86	4.30	-	7.00	2	794624-2

FINISH	DIM W	DIM Y	DIM Z	DIM X	NO. OF POSN.	ASSEMBLY
1	36.86	37.30	33.00	40.00	24	5-794624-4
2	33.86	34.30	30.00	37.00	22	5-794624-2
3	30.86	31.30	27.00	34.00	20	5-794624-0
4	27.86	28.30	24.00	31.00	18	4-794624-8
5	24.86	25.30	21.00	28.00	16	4-794624-6
6	21.86	22.30	18.00	25.00	14	4-794624-4
7	18.86	19.30	15.00	22.00	12	4-794624-2
8	15.86	16.30	12.00	19.00	10	4-794624-0
9	12.86	13.30	9.00	16.00	8	3-794624-8
10	9.86	10.30	6.00	13.00	6	3-794624-6
11	6.86	7.30	3.00	10.00	4	3-794624-4
12	3.86	4.30	-	7.00	2	3-794624-2

THIS DRAWING IS A CONTROLLED DOCUMENT.		DWN S. HOOVER 23-MAR-2005	STE TE Connectivity	
DIMENSIONS: mm		CHK C. JONES 23-MAR-2005	NAME SURFACE MOUNT, RIGHT ANGLE, MECH. HOLD DOWN, ASSEMBLY, TIN HEADER, DUAL ROW, MICRO MATE-N-LOK (TM)	
TOLERANCES UNLESS OTHERWISE SPECIFIED:		APVD C. JONES 23-MAR-2005	PRODUCT SPEC 108-1836	
0 PLC ±		APPLICATION SPEC 114-13000		
1 PLC ±		WEIGHT -		
2 PLC ±0.13		SIZE A20779		
3 PLC ±		CAGE CODE C-794624		
4 PLC ±		DRAWING NO. 794624		
ANGLES ±		RESTRICTED TO -		
FINISH SEE TABLE		SCALE 4:1 SHEET 1 OF 1 REV G2		
MATERIAL 1		CUSTOMER DRAWING		

Looking for pricing, stock, or lifecycle information?

Click below to explore more details on WIN SOURCE:

 [View 3-794624-8 on WIN SOURCE](#)

 [TE Connectivity](#) Information

Optimize Your Supply Chain with WIN SOURCE Solutions

-  Global Sourcing Solution
-  Obsolete Management
-  Cost Control Management
-  Shortage Management
-  Alternative Solution
-  Excess Inventory Management