

4

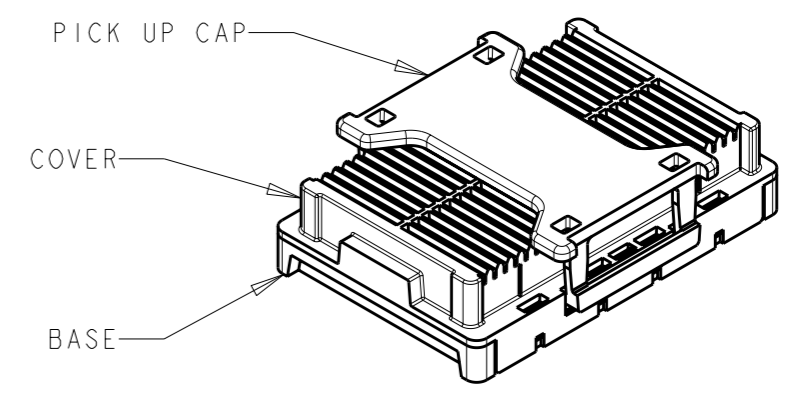
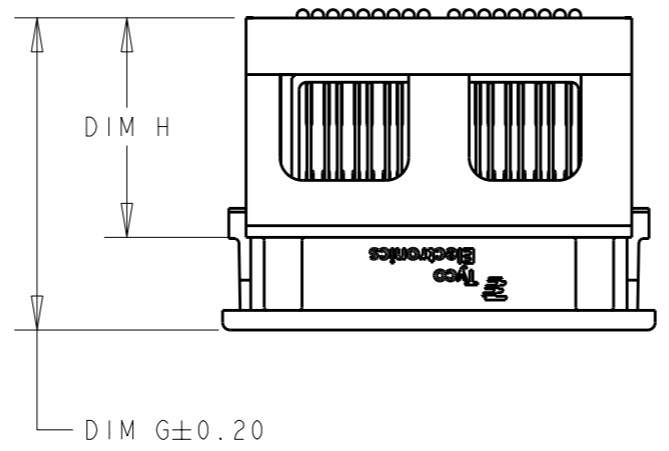
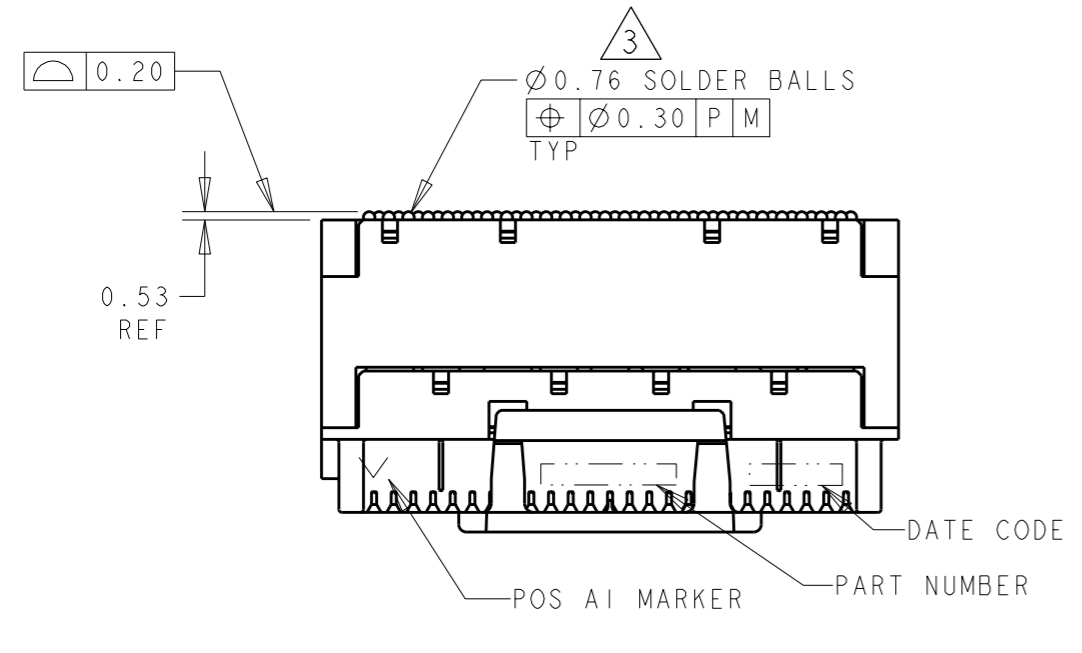
3

2

1

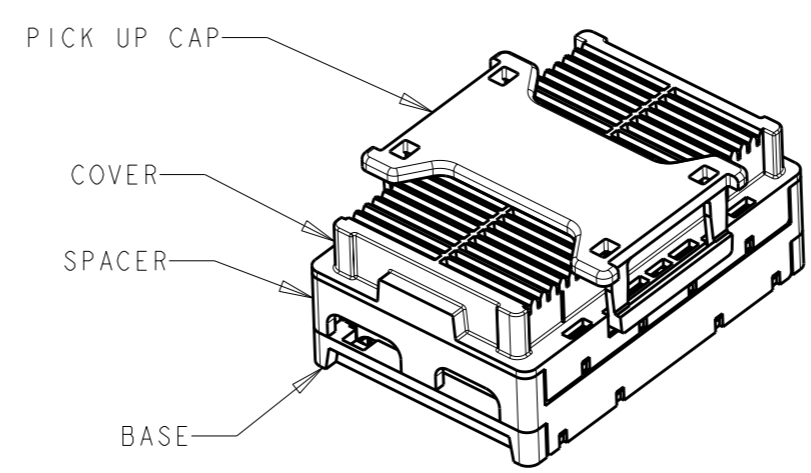
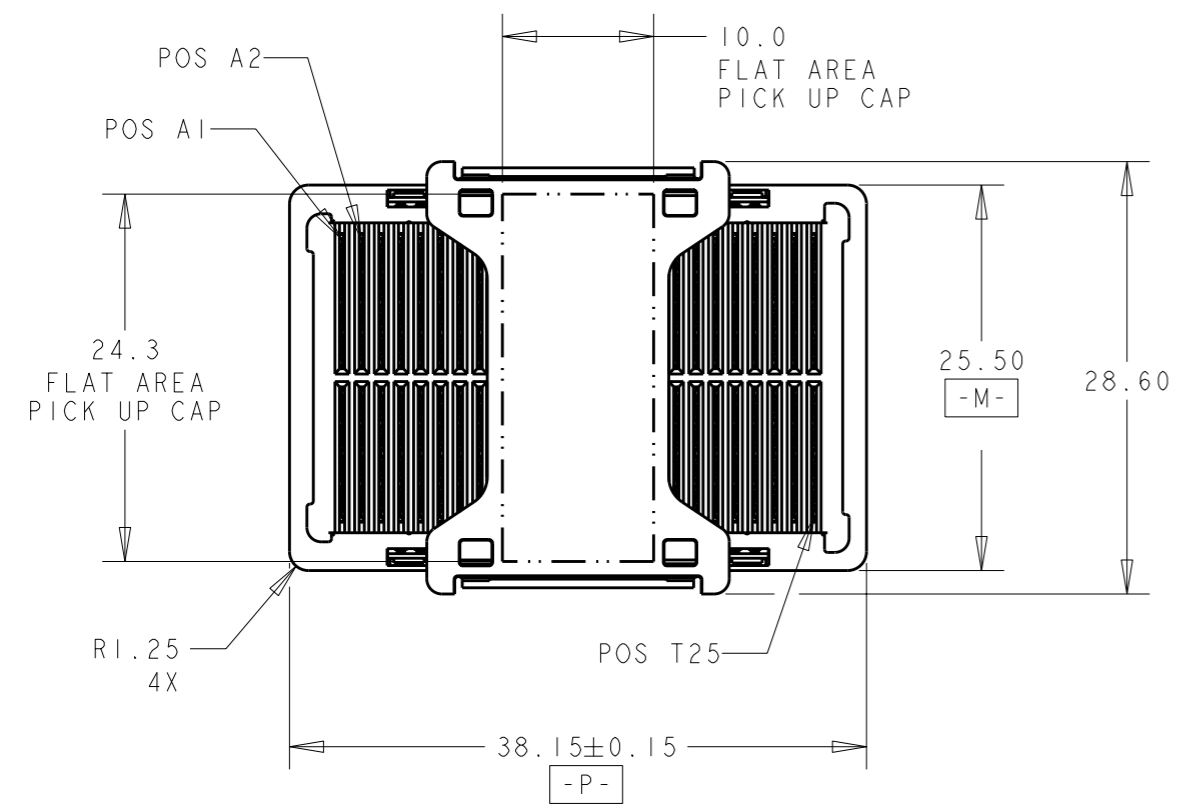
THIS DRAWING IS UNPUBLISHED. RELEASED FOR PUBLICATION 20
 © COPYRIGHT 20 BY - ALL RIGHTS RESERVED.

LOC	DIST	REVISIONS			
P	LTR	DESCRIPTION	DATE	DWN	APVD
GP	00	A5	REVISED PER ECO-11-005027	16MAR2011	RK HMR

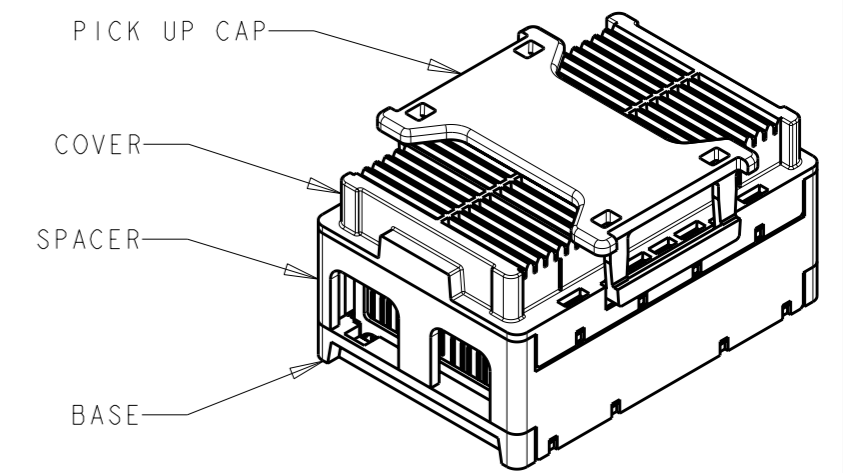


TYPICAL ASSEMBLY
 15mm SHOWN
 SCALE 2:1


ISOMETRIC VIEW
 TYPICAL CONFIGURATION
 FOR 5mm ASSEMBLY
 SCALE 3:2



ISOMETRIC VIEW
 TYPICAL CONFIGURATION
 FOR 11mm ASSEMBLY
 SCALE 3:2



ISOMETRIC VIEW
 TYPICAL CONFIGURATION
 FOR 15mm ASSEMBLY
 SCALE 3:2

THIS DRAWING IS A CONTROLLED DOCUMENT.		DWN P BRANDBERG 21DEC04	 TE Connectivity	
DIMENSIONS: mm		CHK D WERTZ 05JAN05		
TOLERANCES UNLESS OTHERWISE SPECIFIED:		APVD D WERTZ 05JAN05	NAME STEP-Z, RECEPTACLE ASSEMBLY, 200 SIGNAL POSITION	
0 PLC ±- 1 PLC ±0.3 2 PLC ±0.10 3 PLC ±0.050 4 PLC ±- ANGLES ±2°		PRODUCT SPEC 108-2143	SIZE A3	
MATERIAL 1		APPLICATION SPEC 114-13101	CAGE CODE 00779	DRAWING NO C-1761615
FINISH 2		WEIGHT -	RESTRICTED TO -	
		CUSTOMER DRAWING	SCALE -	SHEET 1 OF 6 REV A5

THIS DRAWING IS UNPUBLISHED.

RELEASED FOR PUBLICATION

20

© COPYRIGHT 20

BY -

ALL RIGHTS RESERVED.

LOC

DIST

REVISIONS

GP

00

P

LTR

DESCRIPTION

DATE

DWN

APVD

- SEE SHEET 1

1 MATERIAL:
 BASE, SPACER, COVER: THERMOPLASTIC
 PICK UP CAP: THERMOPLASTIC
 CONTACT: COPPER ALLOY
 SOLDER BALL: Sn/Pb FOR P/N 1761615-1 THRU 5-1761615-0
 Sn/Ag FOR P/N 5-1761615-1 THRU 9-1761615-9

2 FINISH:
 CONTACT: 0.00076 MIN GOLD OVER 0.00127 MIN NICKEL.
 (30µ" MIN GOLD OVER 50µ" MIN NICKEL)

3 SOLDER BALLS WILL NOT BE PERFECT
 SPHERICAL SHAPE DUE TO REFLOW ATTACHMENT.

4 CONTACTS IN ROWS A,C,E,G,J,K,M,P,R, AND T
 ARE SINGLE BEAM CONTACTS,
 TYPICALLY USED AS GROUND PINS.
 (NOTE: CONTACTS IN ROWS J & K ARE TIED
 TOGETHER [COMMONED]).


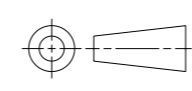
5 CONTACTS IN ROWS B,D,F,H,L,N,Q, AND S
 ARE DUAL BEAM CONTACTS,
 TYPICALLY USED AS SIGNAL PINS.

6 SPECIFIED POSITIONAL TOLERANCE DEFINES PAD TO PAD
 LOCATION WITHIN LAND PATTERN. POSITIONAL TOLERANCE
 OF LAND PATTERN TO FUDICIAL MARKS OR PCB DATUMS
 SHALL BE DEFINED BY CUSTOMER. FOR RECOMMENDED
 PRODUCT APPLICATION AND PCB DESIGN DETAILS, SEE
 APPLICATION SPEC 114-13101.

7 SOLDER PADS UNUSED, MAY BE OMITTED.

8 REFERENCE BOARD PATTERN FOR DIMENSIONS
 AND DETAILS NOT SHOWN.

DIM H	DIM G	LOAD STYLE	DESCRIPTION	PART NUMBER
14.51	20.65	SELECT LOAD-112 POSN-SEE VIEW 35	15mm Sn/Ag	8-1761615-5
14.51	20.65	SELECT LOAD-104 POSN-SEE VIEW 32	15mm Sn/Ag	8-1761615-2
4.51	10.65	SELECT LOAD-104 POSN-SEE VIEW 31	5mm Sn/Ag	8-1761615-1
14.51	20.65	FULL LOAD-200 POSN	15mm Sn/Ag	6-1761615-5
10.51	16.65	FULL LOAD-200 POSN	11mm Sn/Ag	6-1761615-1
4.51	10.65	FULL LOAD-200 POSN	5mm Sn/Ag	5-1761615-5
14.51	20.65	SELECT LOAD-120 POSN-SEE VIEW 33	15mm Sn/Pb	3-1761615-3
14.51	20.65	SELECT LOAD-104 POSN-SEE VIEW 32	15mm Sn/Pb	3-1761615-2
4.51	10.65	SELECT LOAD-104 POSN-SEE VIEW 31	5mm Sn/Pb	3-1761615-1
14.51	20.65	FULL LOAD-200 POSN	15mm Sn/Pb	1-1761615-5
10.51	16.65	FULL LOAD-200 POSN	11mm Sn/Pb	1-1761615-1
4.51	10.65	FULL LOAD-200 POSN	5mm Sn/Pb	1761615-5

THIS DRAWING IS A CONTROLLED DOCUMENT.		DWN P BRANDBERG 21DEC04	 TE Connectivity	
DIMENSIONS: mm		CHK D WERTZ 05JAN05		
		APVD D WERTZ 05JAN05	NAME STEP-Z, RECEPTACLE ASSEMBLY, 200 SIGNAL POSITION	
TOLERANCES UNLESS OTHERWISE SPECIFIED:		PRODUCT SPEC 108-2143	RESTRICTED TO	
0 PLC ±-		APPLICATION SPEC 114-13101	SIZE A3	CAGE CODE 000779
1 PLC ±0.3		WEIGHT -	DRAWING NO C-1761615	SCALE -
2 PLC ±0.10		CUSTOMER DRAWING		
3 PLC ±0.050		SCALE - SHEET 2 OF 6 REV A5		
4 PLC ±-				
ANGLES ±2°				
MATERIAL -				
FINISH -				

THIS DRAWING IS UNPUBLISHED.

RELEASED FOR PUBLICATION

20

© COPYRIGHT 20 BY -

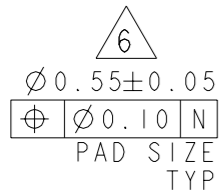
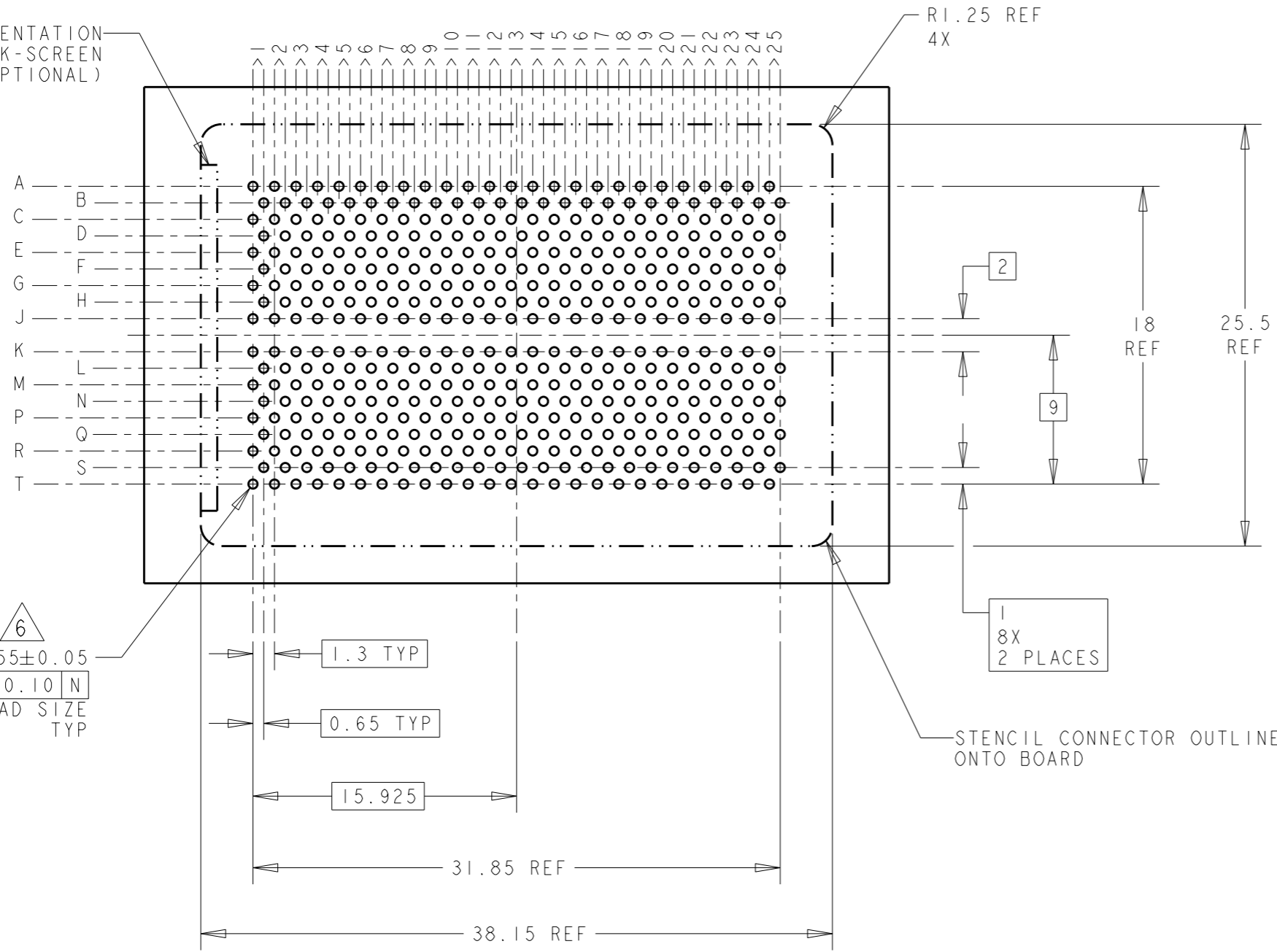
ALL RIGHTS RESERVED.

LOC GP DIST 00

REVISIONS

P	LTR	DESCRIPTION	DATE	DWN	APVD
-	-	SEE SHEET 1	-	-	-

KEY ORIENTATION SILK-SCREEN (OPTIONAL)



4 5 BOARD PATTERN SCALE 3:1

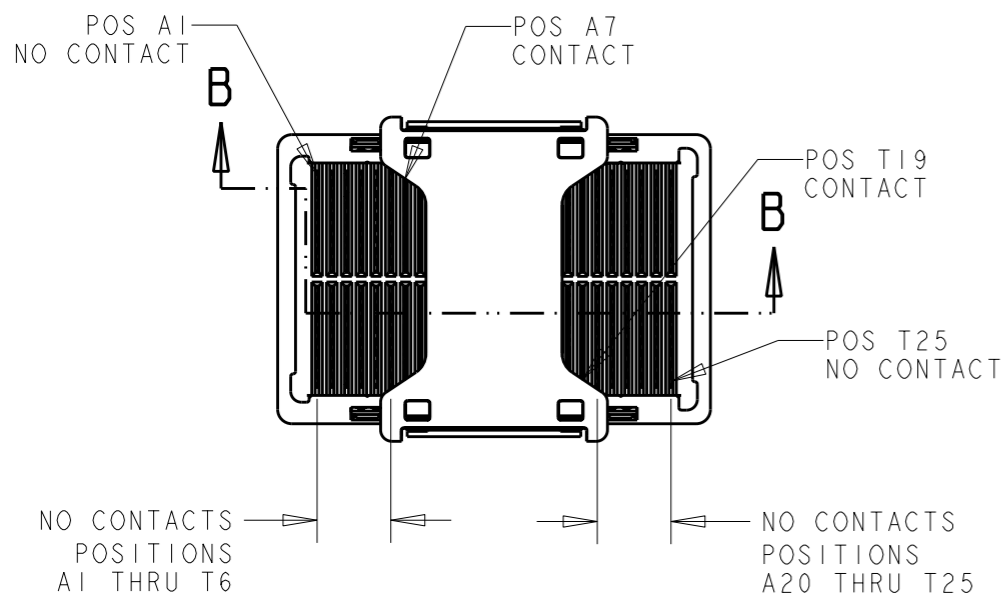
THIS DRAWING IS A CONTROLLED DOCUMENT.

DIMENSIONS: mm		TOLERANCES UNLESS OTHERWISE SPECIFIED:	
	0 PLC	±	
	1 PLC	±0.3	
	2 PLC	±0.10	
	3 PLC	±0.050	
	4 PLC	±	
	ANGLES	±2°	
MATERIAL	FINISH		

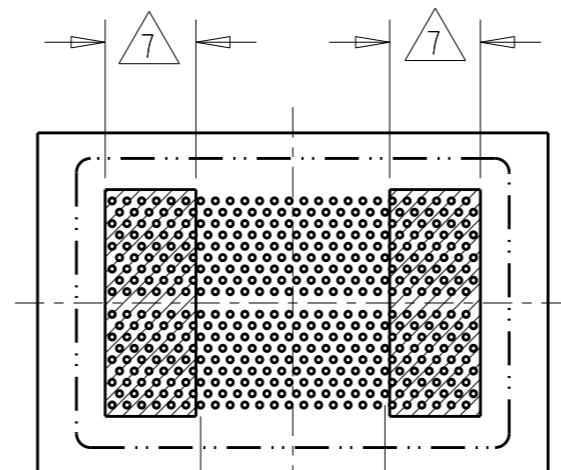
DWN	P BRANDBERG	21DEC04
CHK	D WERTZ	05JAN05
APVD	D WERTZ	05JAN05
PRODUCT SPEC	108-2143	
APPLICATION SPEC	114-13101	
WEIGHT	-	
CUSTOMER DRAWING		

 TE Connectivity		NAME	
		STEP-Z, RECEPTACLE ASSEMBLY, 200 SIGNAL POSITION	
SIZE	CAGE CODE	DRAWING NO	RESTRICTED TO
A3	00779	C-1761615	-
SCALE		SHEET	REV
-		3 OF 6	A5

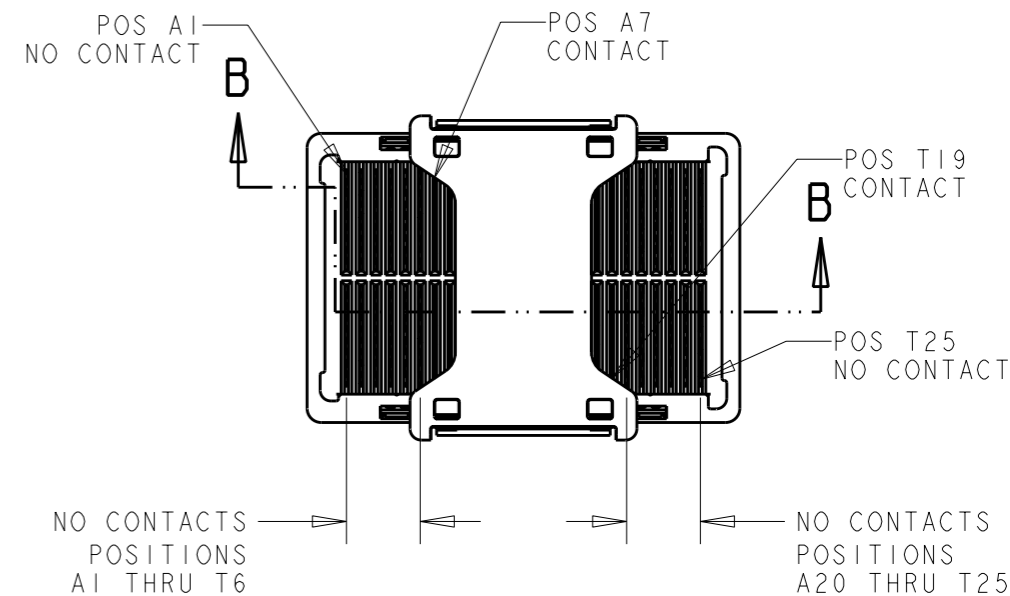
LOC	DIST	REVISIONS				
P	LTR	DESCRIPTION	DATE	DWN	APVD	
GP	00	-	SEE SHEET 1	-	-	



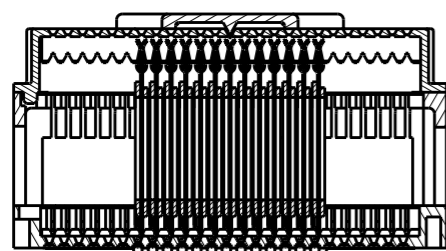
VIEW 32
SELECT LOAD 15mm 104 POSITION
SCALE 3:2



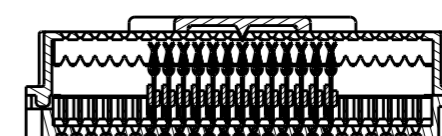
VIEW 31 & VIEW 32
SELECT LOAD 104 POSITION
BOARD PATTERN
SCALE 3:2




VIEW 31
SELECT LOAD 5mm 104 POSITION
SCALE 3:2



SECTION B-B



SECTION B-B

THIS DRAWING IS A CONTROLLED DOCUMENT.		DWN P BRANDBERG 21DEC04	 TE Connectivity	
DIMENSIONS: mm		CHK D WERTZ 05JAN05		
TOLERANCES UNLESS OTHERWISE SPECIFIED:		APVD D WERTZ 05JAN05	NAME STEP-Z, RECEPTACLE ASSEMBLY, 200 SIGNAL POSITION	
0 PLC ±- 1 PLC ±0.3 2 PLC ±0.10 3 PLC ±0.050 4 PLC ±- ANGLES ±2°		PRODUCT SPEC 108-2143	SIZE A3	
MATERIAL -		APPLICATION SPEC 114-13101	CAGE CODE 00779	DRAWING NO C-1761615
FINISH -		WEIGHT -	RESTRICTED TO -	
		CUSTOMER DRAWING	SCALE -	SHEET 4 OF 6 REV A5

THIS DRAWING IS UNPUBLISHED.

RELEASED FOR PUBLICATION

20

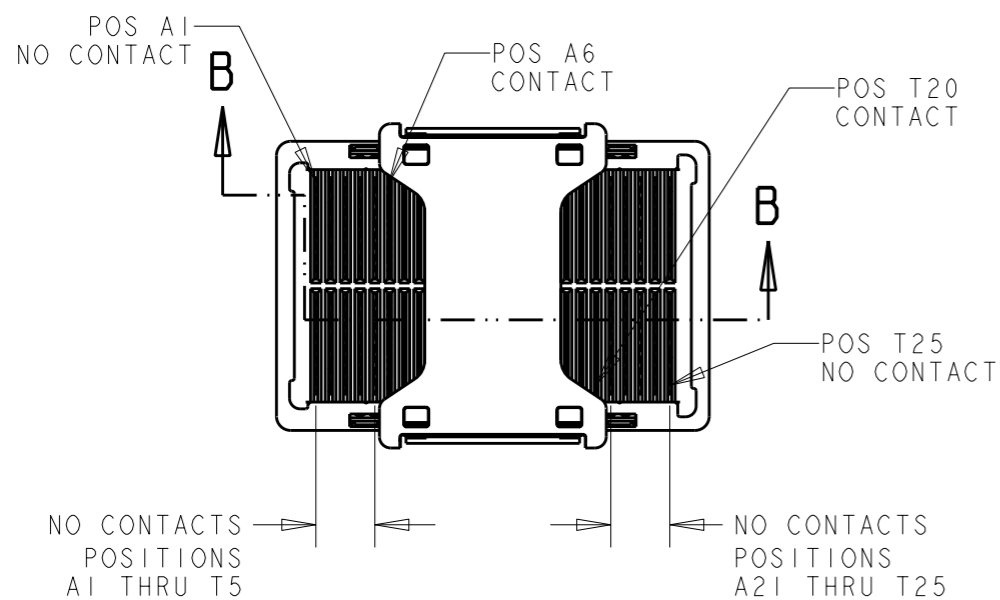
© COPYRIGHT 20 BY -

ALL RIGHTS RESERVED.

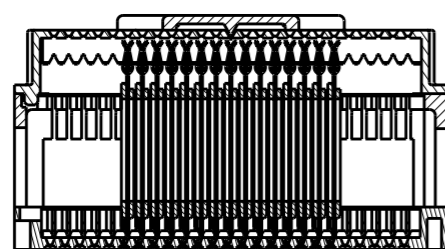
LOC GP DIST 00

REVISIONS

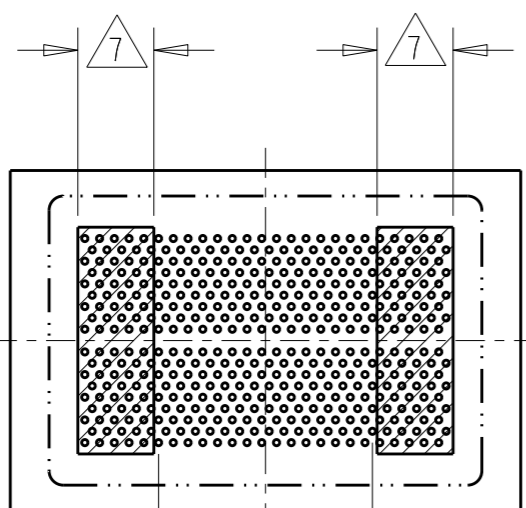
P	LTR	DESCRIPTION	DATE	DWN	APVD
-	-	SEE SHEET 1	-	-	-



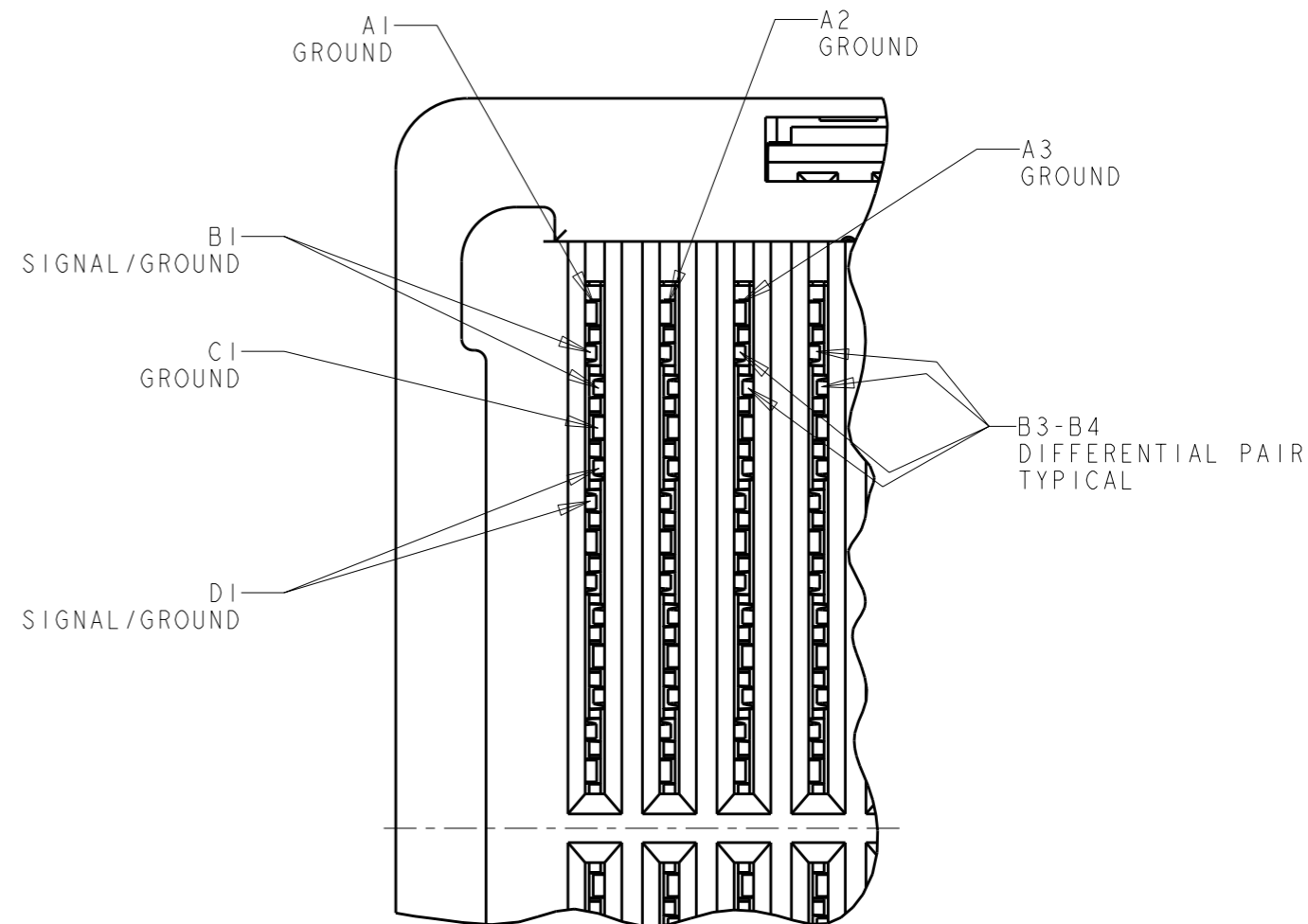
VIEW 33
SELECT LOAD 15mm 120 POSITION
SCALE 3:2



SECTION B-B



VIEW 33
SELECT LOAD 120 POSITION
BOARD PATTERN
SCALE 3:2



RECEPTACLE INTERFACE

SCALE 8:1

THIS DRAWING IS A CONTROLLED DOCUMENT.

DIMENSIONS: mm	
MATERIAL -	

TOLERANCES UNLESS OTHERWISE SPECIFIED:	
0 PLC	±-
1 PLC	±0.3
2 PLC	±0.10
3 PLC	±0.050
4 PLC	±-
ANGLES	±2°
FINISH -	

DWN	P BRANDBERG	21DEC04
CHK	D WERTZ	05JAN05
APVD	D WERTZ	05JAN05
PRODUCT SPEC	108-2143	
APPLICATION SPEC	114-13101	
WEIGHT	-	
CUSTOMER DRAWING		



NAME STEP-Z, RECEPTACLE ASSEMBLY, 200 SIGNAL POSITION			
SIZE	CAGE CODE	DRAWING NO	RESTRICTED TO
A3	00779	C-1761615	-
SCALE -		SHEET 5 OF 6	REV A5

THIS DRAWING IS UNPUBLISHED.

RELEASED FOR PUBLICATION

20

© COPYRIGHT 20 BY -

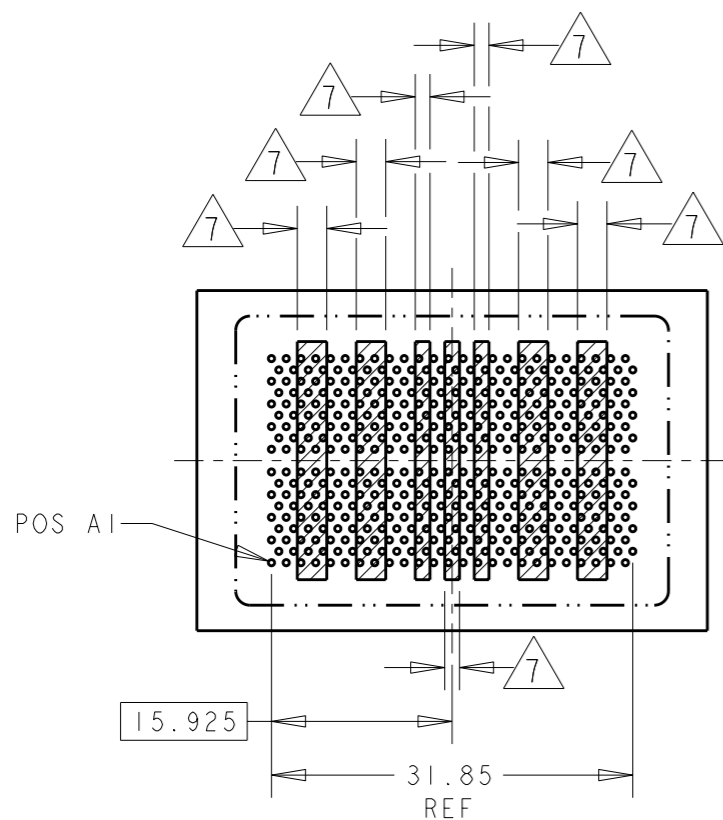
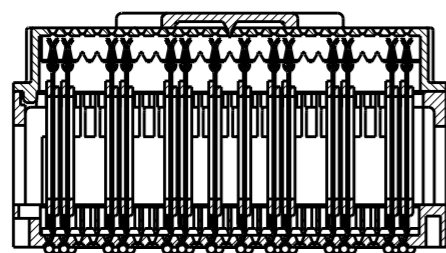
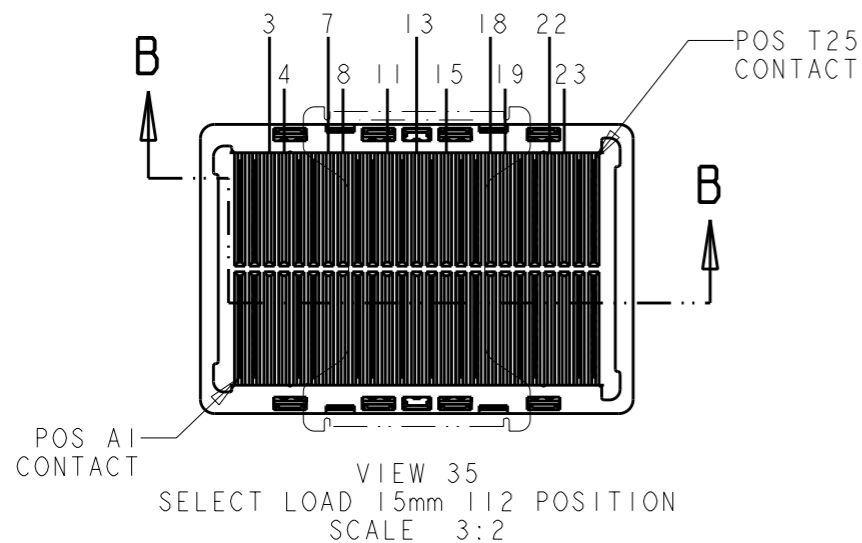
ALL RIGHTS RESERVED.


LOC GP DIST 00

REVISIONS

P	LTR	DESCRIPTION	DATE	DWN	APVD
-	-	SEE SHEET 1	-	-	-

NO CONTACTS IN THESE COLUMNS



THIS DRAWING IS A CONTROLLED DOCUMENT.		DWN P BRANDBERG 21DEC04	 TE Connectivity	
DIMENSIONS: mm		CHK D WERTZ 05JAN05		
TOLERANCES UNLESS OTHERWISE SPECIFIED:		APVD D WERTZ 05JAN05	NAME STEP-Z, RECEPTACLE ASSEMBLY, 200 SIGNAL POSITION	
0 PLC ±- 1 PLC ±0.3 2 PLC ±0.10 3 PLC ±0.050 4 PLC ±- ANGLES ±2°		PRODUCT SPEC 108-2143	SIZE A3 CAGE CODE 00779 DRAWING NO C-1761615 RESTRICTED TO -	
MATERIAL - FINISH -		APPLICATION SPEC 114-13101	SCALE - SHEET 6 OF 6 REV A5	
CUSTOMER DRAWING		WEIGHT -		

Looking for pricing, stock, or lifecycle information?

Click below to explore more details on WIN SOURCE:

 [View 6-1761615-1 on WIN SOURCE](#)

 [TE Connectivity](#) Information

Optimize Your Supply Chain with WIN SOURCE Solutions

-  Global Sourcing Solution
-  Obsolete Management
-  Cost Control Management
-  Shortage Management
-  Alternative Solution
-  Excess Inventory Management