



THE DATASHEET OF
5796055-2

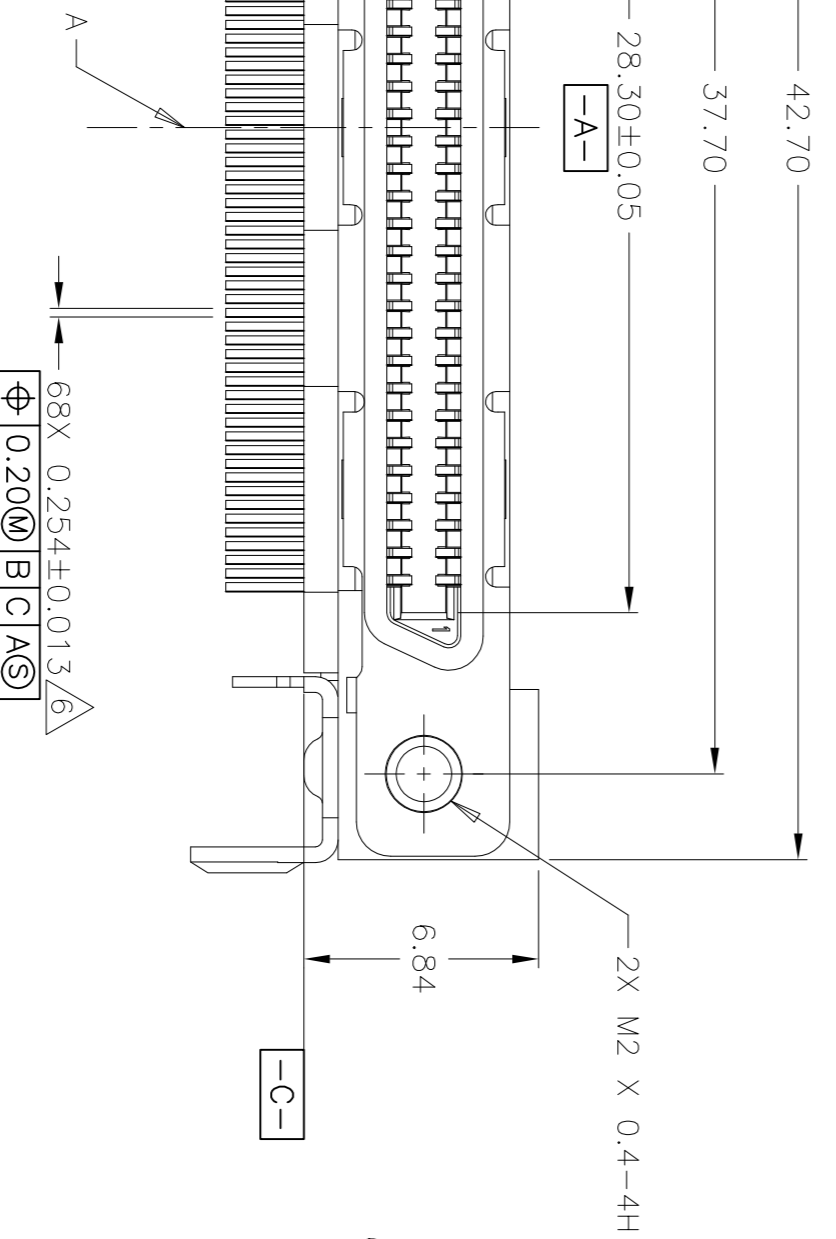
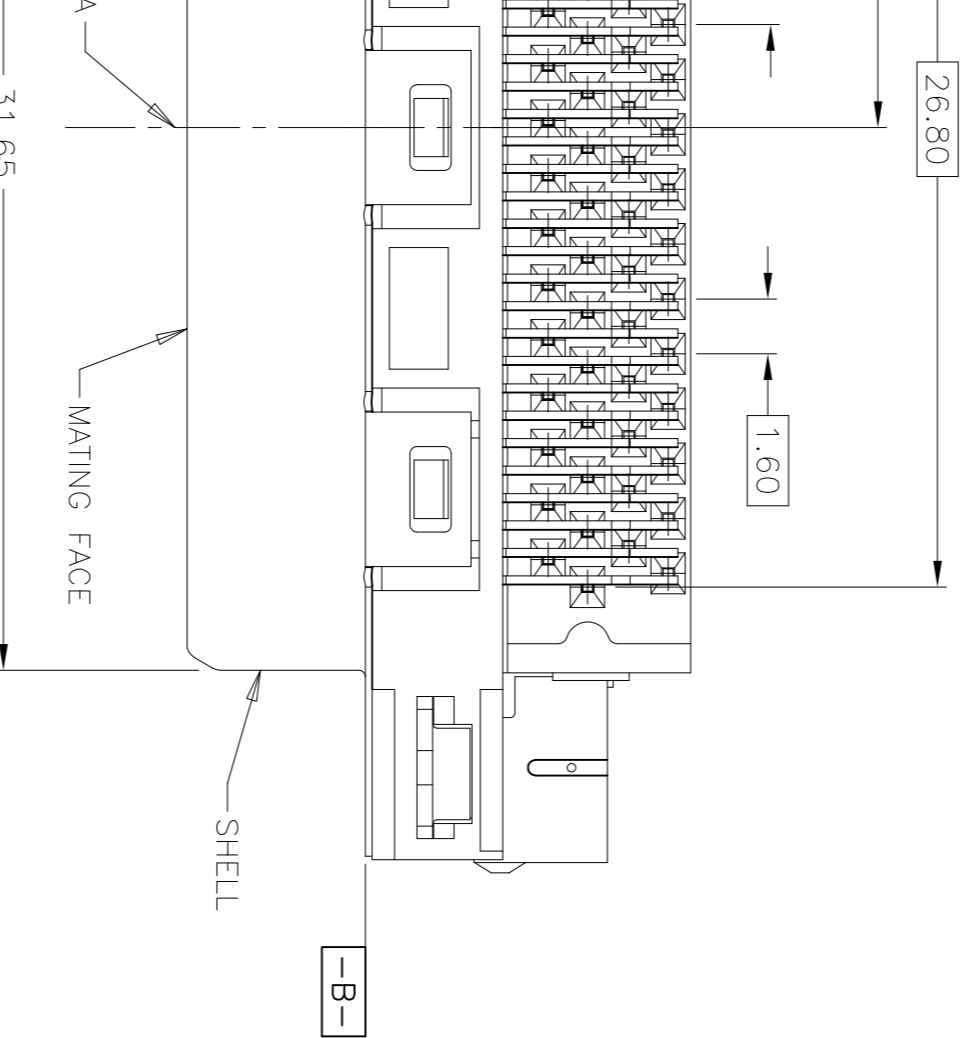


3

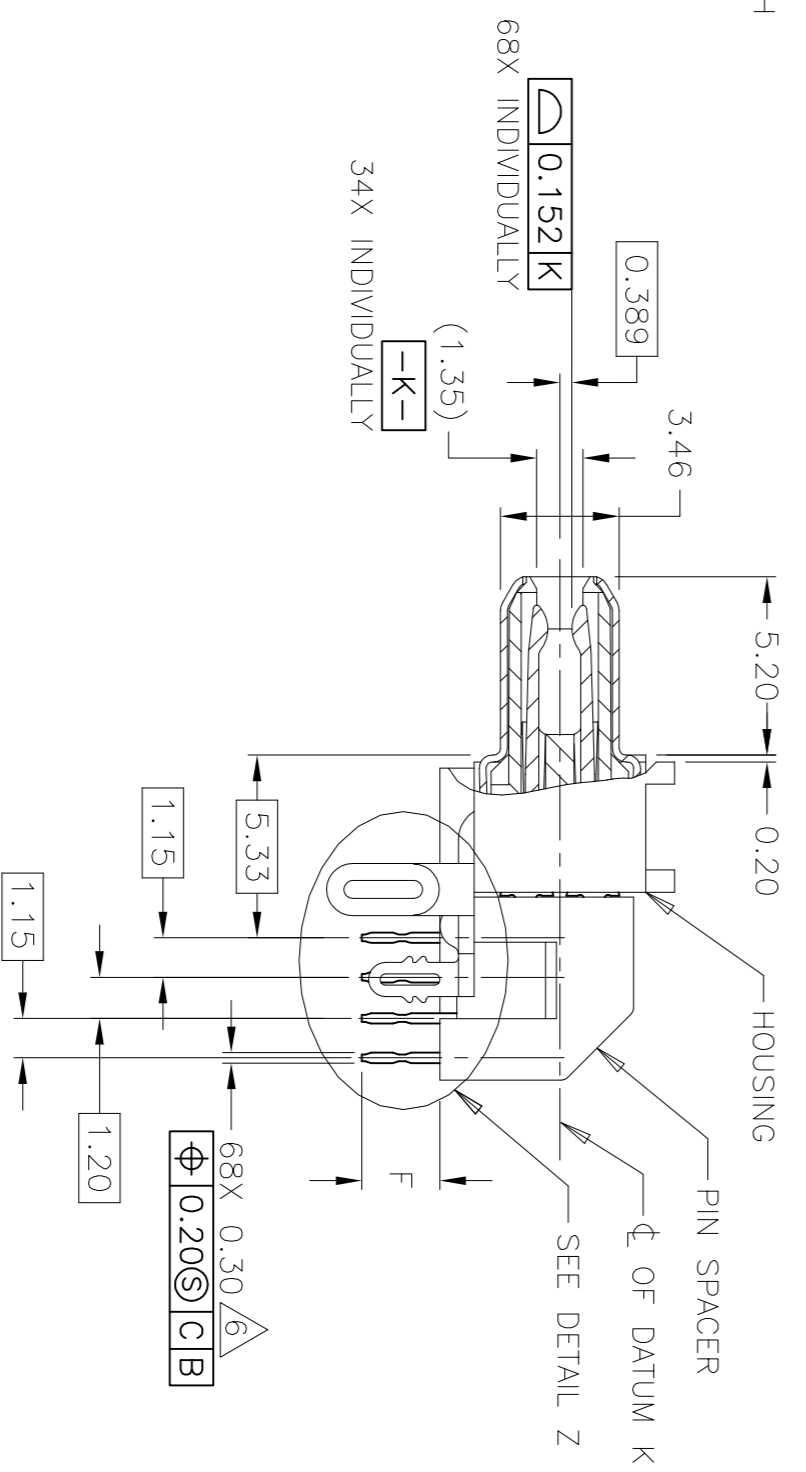
2

1

REVISIONS				
P	LTR	DESCRIPTION	DATE	DMN
D		REVISE PER ECO-17-008757	16JUN2017	RG SH



- 1 HOUSING & PIN SPACER: THERMOPLASTIC, BLACK, UL 94V-0 RATED.
SHELL: CARBON STEEL.
CONTACTS: PHOSPHOR BRONZE.
BRACKETS: STEEL.
- 2 SHELL: 5.08µm MIN NICKEL OVER 2.54µm MIN COPPER.
CONTACTS: 0.76µm MIN GOLD ON MATING END, 3.75µm MIN TIN ON
SOLDER TAILS, BOTH OVER 1.27µm MIN NICKEL ON ENTIRE CONTACT.
BRACKETS: TIN PLATED.
- 3 CONTACTS DESIGNED FOR USE ON 1.60±0.15 THICK PC BOARD WITH
PLATED THRU MOUNTING HOLES.
- 4 RECEPTACLE ASSEMBLY DESIGNED FOR USE WITH 1.12±0.08 THICK PANEL.
- 5 DATUMS AND DIMENSIONS ESTABLISHED BY CUSTOMER.
- 6 POSITION TOLERANCE APPLIES AT CONTACT TIP ONLY.
- 7 CONTACTS DESIGNED FOR USE ON 2.35±0.15 THICK PC BOARD WITH
PLATED THRU MOUNTING HOLES.
- 8 DATE CODE MARKED IN APPROXIMATE AREA SHOWN.
- 9 CONTACTS DESIGNED FOR USE ON 4.34±0.15 THICK PC BOARD WITH
PLATED THRU MOUNTING HOLES.



TRAY	REMARKS	PART NUMBER
SOFT TRAY	9	5796055-4
HARD TRAY	7	5796055-3
SOFT TRAY	7	5796055-2
SOFT TRAY	3	5796055-1

THIS DRAWING IS A CONTROLLED DOCUMENT.

DIMENSIONS: mm		TOLERANCES UNLESS OTHERWISE SPECIFIED:	
0 PIC	±	±	±
1 PIC	±	±	±
2 PIC	±	±	±
3 PIC	±	±	±
4 PIC	±	±	±
ANGLES	±	±	±
FINISH	±	±	±

DMN	31JAN05	DMN	31JAN05
ORACE	31JAN05	ORACE	31JAN05
CHK	S. SHULEY	CHK	S. SHULEY
APPRO	MA. WALMSLEY	APPRO	MA. WALMSLEY
PRODUCT SPEC	108-1471	PRODUCT SPEC	108-1471
APPLICATION SPEC	114-6057	APPLICATION SPEC	114-6057
WEIGHT	0	WEIGHT	0

CUSTOMER DRAWING

SIZE	A2	SCALE	5:1
CAGE CODE	00779	DRAWING NO	5796055
NAME	RECEPTACLE ASSEMBLY, RIGHT ANGLE, 68 POS, SHIELDED, CHAMP 0.8mm		
RESTRICTED TO	-		

STE TE Connectivity

5796055

A

B

C

D

Looking for pricing, stock, or lifecycle information?

Click below to explore more details on WIN SOURCE:

[View 5796055-2 on WIN SOURCE](#)

[TE Connectivity Information](#)

Optimize Your Supply Chain with WIN SOURCE Solutions

- ✓ Global Sourcing Solution
- ✓ Obsolete Management
- ✓ Cost Control Management
- ✓ Shortage Management
- ✓ Alternative Solution
- ✓ Excess Inventory Management