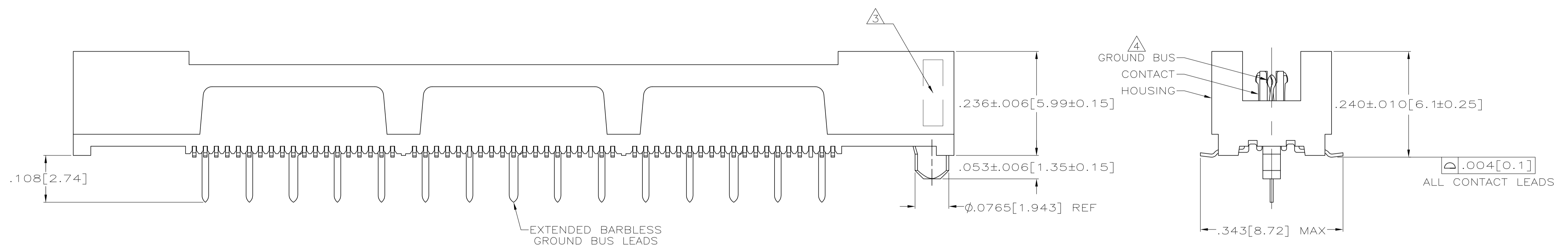


- $\triangle 1$ HOUSING: LIQUID CRYSTAL POLYMER, COLOR BLACK.
 CONTACTS: HIGH RELIABILITY COPPER ALLOY.
 GROUND BUSES: PHOSPHOR BRONZE ALLOY, UNS C51100.
- $\triangle 2$ CONTACTS & GROUND BUSES: NICKEL UNDERPLATE ALL OVER,
 MATING SURFACE PLATED TO MEET LEVEL 2 PERFORMANCE
 REQUIREMENTS OF TE PRODUCT SPECIFICATION 108-1422, SOLDER
 TAILS PLATED MATTE TIN.
- $\triangle 3$ DATE CODE MARKED IN AREA INDICATED ON SIDE OPPOSITE
 POSITION #1.
- $\triangle 4$ ONE GROUND BUS WITH 5 TAILS PER EACH MODULE.
- $\triangle 5$ TOLERANCE NON-ACCUMULATIVE.
- $\triangle 6$ FOR STANDARD APPLICATIONS, ORIENTATION HOLE TO BE
 $\phi .094 \pm .002 [2.39 \pm 0.05]$.
 FOR SLIP-FIT APPLICATIONS, ORIENTATION HOLE TO BE
 $\phi .079 \pm .001 [2.00 \pm 0.03]$.
- $\triangle 7$ CONNECTORS PACKAGED ON 13 INCH DIA REELS PER EIA 481.
- $\triangle 8$ NOT RELEASED FOR PRODUCTION.



SEE SHEET 2 FOR RECOMMENDED PC BOARD LAYOUT
 AND PACKAGING DETAIL

| | | | | | | | | | |
|---------------|-----------------------|-------------|--------------|---|---------------|---------------|---------------|-----------|-------------|
| $\triangle 8$ | NO | 4.724 [120] | 3.000 [76.2] | 6 | 3.450 [87.63] | 3.900 [99.06] | 4.000 [101.6] | 266 | 1-5767115-4 |
| $\triangle 8$ | NO | 4.094 [104] | 2.500 [63.5] | 5 | 2.950 [74.93] | 3.400 [86.36] | 3.500 [88.9] | 228 | 1-5767115-3 |
| | NO | 3.465 [88] | 2.000 [50.8] | 4 | 2.450 [62.23] | 2.900 [73.66] | 3.000 [76.2] | 190 | 1-5767115-2 |
| | NO | 3.465 [88] | 1.500 [38.1] | 3 | 1.950 [49.53] | 2.400 [60.96] | 2.500 [63.5] | 152 | 1-5767115-1 |
| | NO | 2.835 [72] | 1.000 [25.4] | 2 | 1.450 [36.83] | 1.900 [48.26] | 2.000 [50.8] | 114 | 1-5767115-0 |
| | NO | 2.205 [56] | .500 [12.7] | 1 | .950 [24.13] | 1.400 [35.56] | 1.500 [38.1] | 76 | 5767115-9 |
| | NO | 1.732 [44] | .000 [0] | 0 | .450 [11.43] | .900 [22.86] | 1.000 [25.4] | 38 | 5767115-8 |
| $\triangle 8$ | YES | 4.724 [120] | 3.000 [76.2] | 6 | 3.450 [87.63] | 3.900 [99.06] | 4.000 [101.6] | 266 | 5767115-7 |
| $\triangle 8$ | YES | 4.094 [104] | 2.500 [63.5] | 5 | 2.950 [74.93] | 3.400 [86.36] | 3.500 [88.9] | 228 | 5767115-6 |
| | YES | 3.465 [88] | 2.000 [50.8] | 4 | 2.450 [62.23] | 2.900 [73.66] | 3.000 [76.2] | 190 | 5767115-5 |
| | YES | 3.465 [88] | 1.500 [38.1] | 3 | 1.950 [49.53] | 2.400 [60.96] | 2.500 [63.5] | 152 | 5767115-4 |
| | YES | 2.835 [72] | 1.000 [25.4] | 2 | 1.450 [36.83] | 1.900 [48.26] | 2.000 [50.8] | 114 | 5767115-3 |
| | YES | 2.205 [56] | .500 [12.7] | 1 | .950 [24.13] | 1.400 [35.56] | 1.500 [38.1] | 76 | 5767115-2 |
| | YES | 1.732 [44] | .000 [0] | 0 | .450 [11.43] | .900 [22.86] | 1.000 [25.4] | 38 | 5767115-1 |
| | VACUUM COVER INCLUDED | F | E | D | C | B | A | NO OF POS | PART NUMBER |

THIS DRAWING IS A CONTROLLED DOCUMENT.

DIMENSIONS: INCHES

TOLERANCES UNLESS OTHERWISE SPECIFIED:

| | | |
|--------|-------|-------------|
| 0 PLC | \pm | - |
| 1 PLC | \pm | - |
| 2 PLC | \pm | - |
| 3 PLC | \pm | 0.005(0.13) |
| 4 PLC | \pm | - |
| ANGLES | \pm | - |

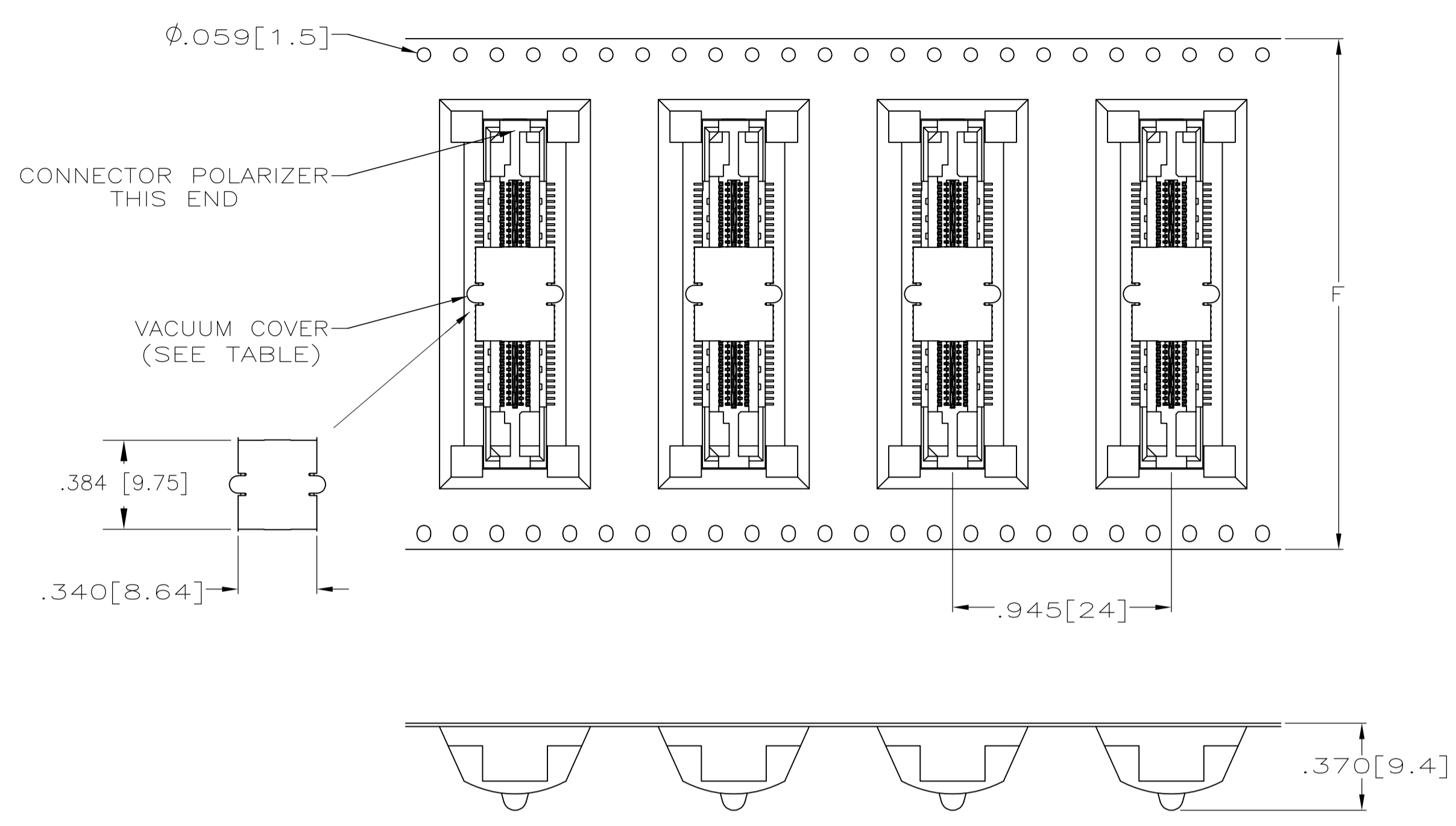
MATERIAL: $\triangle 1$ FINISH: $\triangle 2$

APPROVED: G. ATTADIA 27 OCT 04
 CHK: D. DIXON 27 OCT 04
 APVD: D. DIXON 27 OCT 04

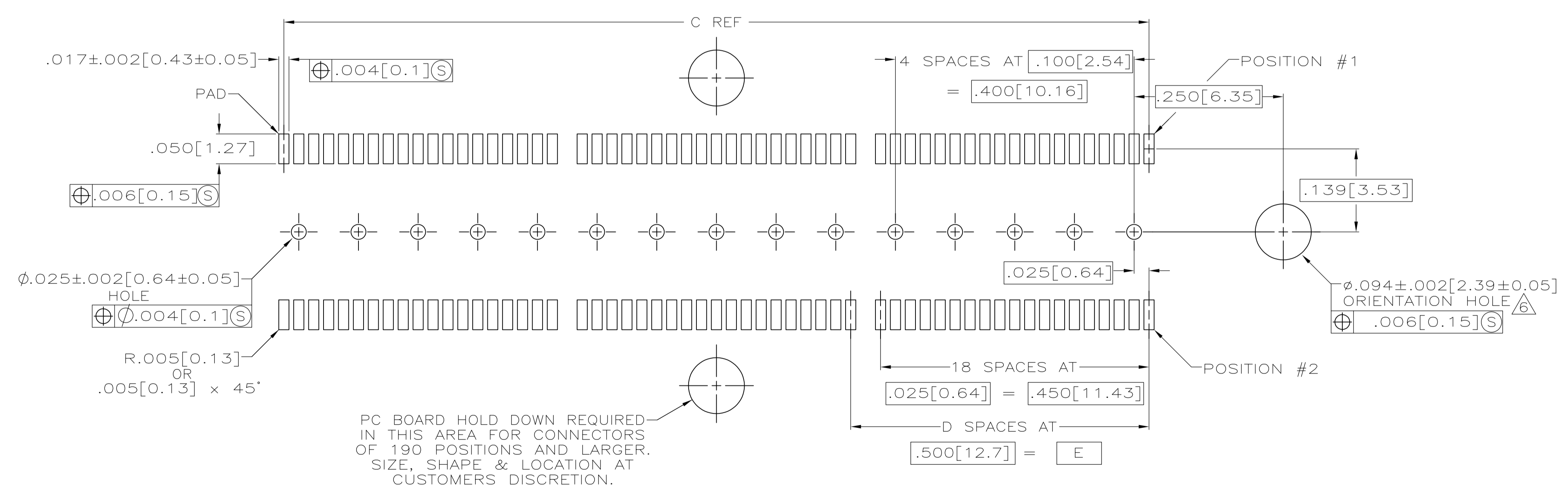
RECEPACLE ASSEMBLY, VERTICAL,
 .025[0.64]CL, GULL WING LEADS,
 POCKET TAPE PACKAGED, MICTOR

SIZE: A1 CAGE CODE: 00779 DRAWING NO: 114-11004 WEIGHT: -

CUSTOMER DRAWING SCALE: 8:1 SHEET: 1 OF 2 REV: B1



PACKAGING DETAIL Δ
 SCALE 2:1
 DIMENSIONS ARE FOR REFERENCE



RECOMMENDED PC BOARD LAYOUT
 (VIEWED FROM CONNECTOR SIDE)

| | | | |
|----------------------------------------|---------------------------------------------------------------------------------------------------------------------------|-----------------------------------------------------------------------------------------------------------|-----------------------------------------------------------|
| THIS DRAWING IS A CONTROLLED DOCUMENT. | | DIN G. ATTADIA 27 OCT 04 CHK D. DIXON 27 OCT 04 APVD D. DIXON 27 OCT 04 | Tyco Electronics Corporation Harrisburg, PA 17105-3608 |
| DIMENSIONS: INCHES | TOLERANCES UNLESS OTHERWISE SPECIFIED: 0 PL ± — 1 PL ± — 2 PL ± — 3 PL ± .005(0.13) 4 PL ± — ANGLES ± — | NAME RECEPTACLE ASSEMBLY, VERTICAL, .025[0.64] CL, GULL WING LEADS, POCKET TAPE PACKAGED, MICTOR | SIZE A1 |
| MATERIAL | FINISH | WEIGHT — | CUSTOMER DRAWING SCALE 8:1 SHEET 2 OF 2 REV B1 |

Looking for pricing, stock, or lifecycle information?

Click below to explore more details on WIN SOURCE:

 [View 5767115-1](#) on WIN SOURCE

 [TE Connectivity](#) Information

Optimize Your Supply Chain with WIN SOURCE Solutions

-  Global Sourcing Solution
-  Obsolete Management
-  Cost Control Management
-  Shortage Management
-  Alternative Solution
-  Excess Inventory Management