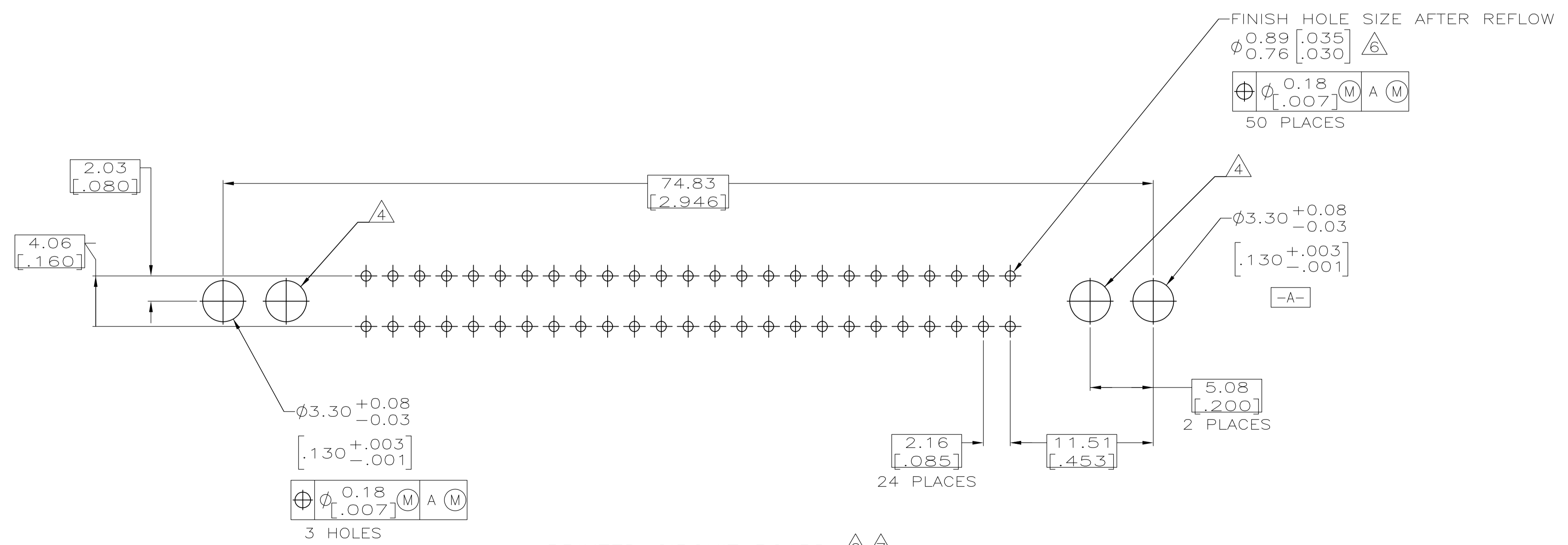
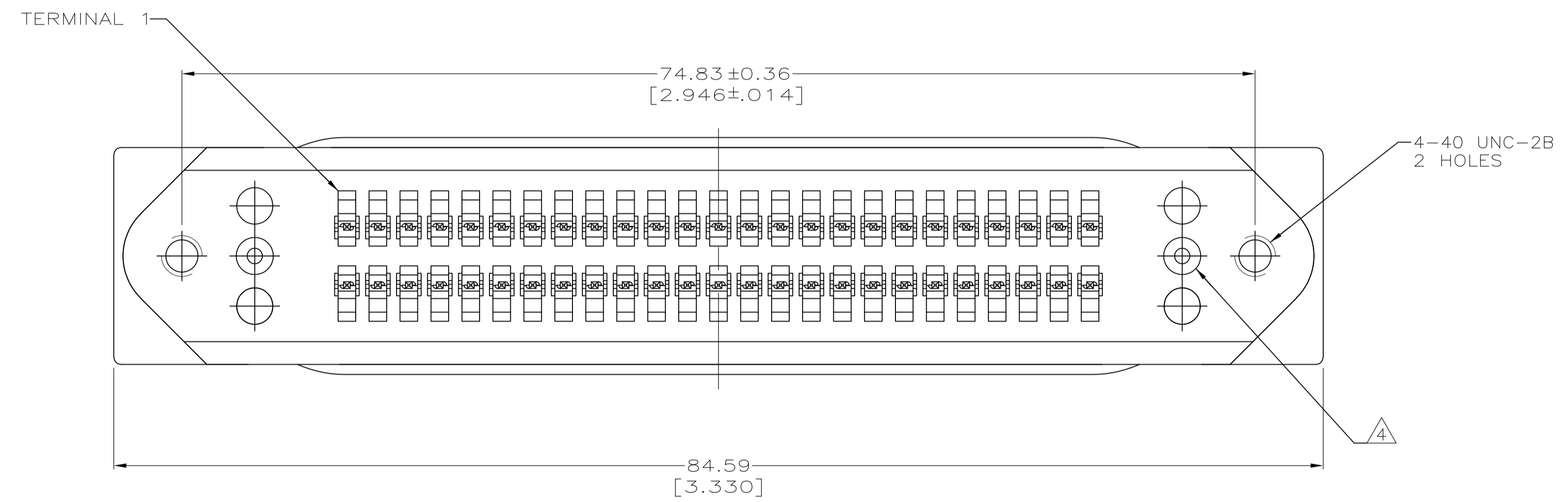
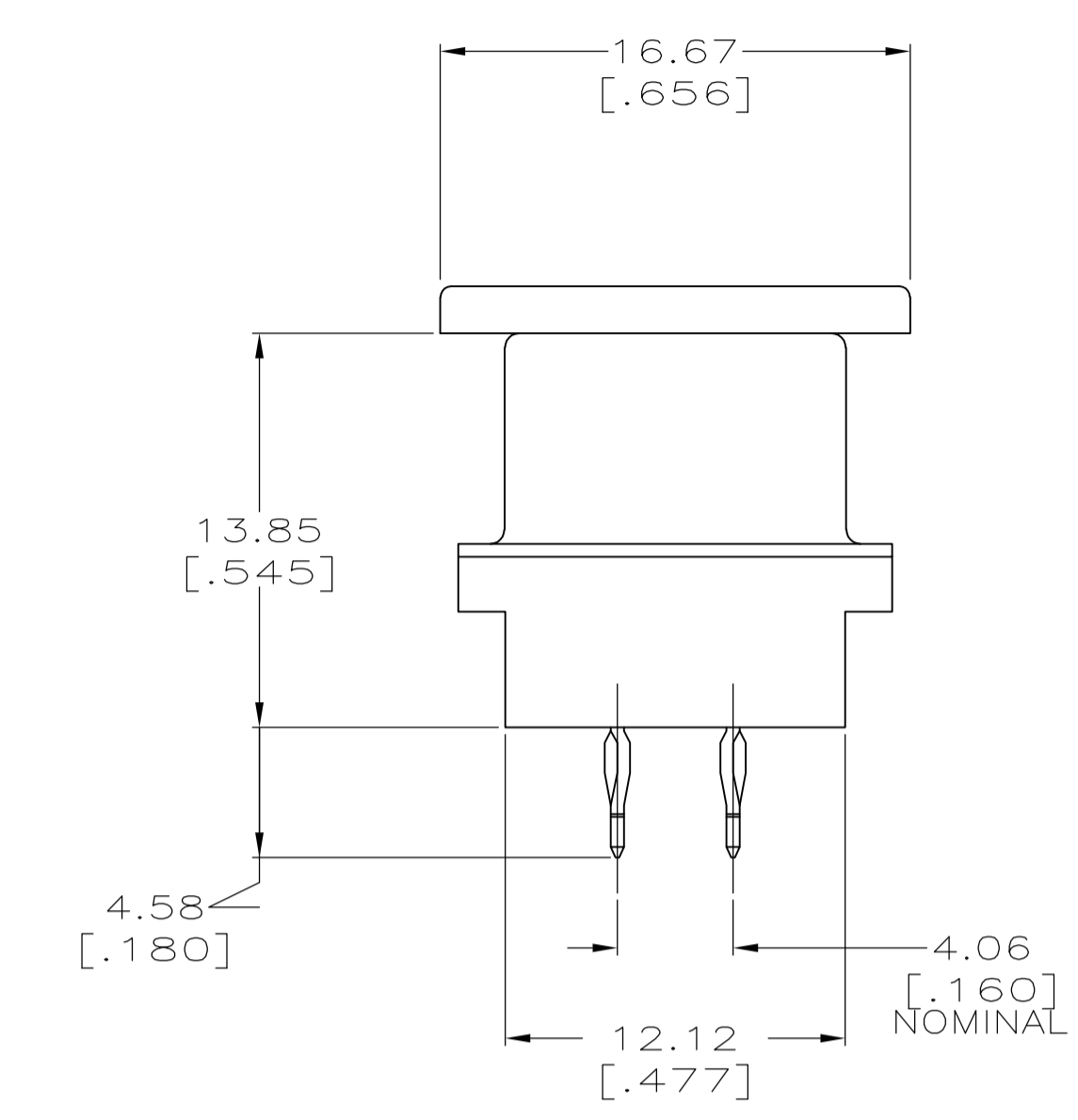
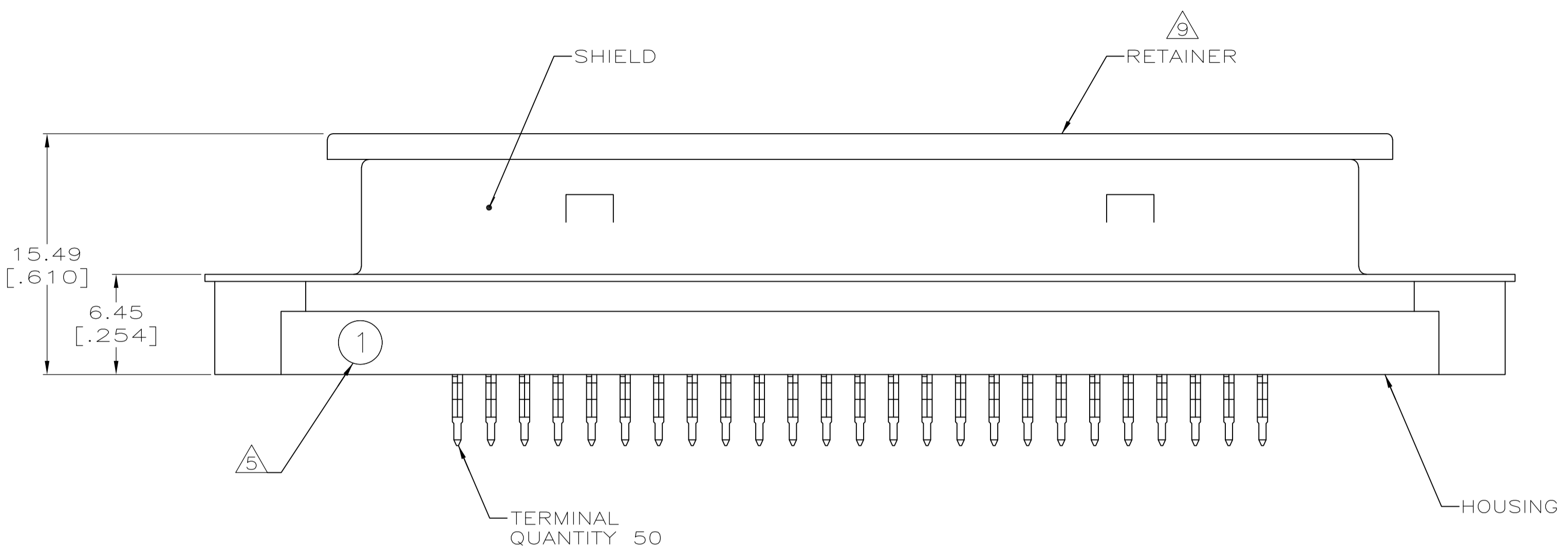




**THE DATASHEET OF**  
**557984-1**



REVISONS		DATE	BY	APPV
1	PER ECO-12-012349	14MAR13	BL	AC



PRINTED CIRCUIT BOARD MOUNTING DIMENSIONS


- 1. DIMENSIONS ARE MAXIMUM UNLESS OTHERWISE SPECIFIED.
- 2. MATERIAL: HOUSING - POLYESTER, BLACK. TERMINAL - COPPER ALLOY PLATED WITH 0.76µm [.000030] MINIMUM GOLD ON MATING SURFACE AND: 557984-1 - 0.13µm [.000005] MINIMUM GOLD ON ACTION PIN AREA. 557984-2 - 2.54µm [.000100] MINIMUM TIN-LEAD ON ACTION PIN AREA. OVER 1.27µm [.000050] MINIMUM NICKEL UNDERPLATE OVER ENTIRE TERMINAL. RETAINER - POLYETHYLENE, NATURAL. SHIELD - CARBON STEEL, PLATED BRIGHT NICKEL 5.08µm [.000200] MINIMUM.
- 3. THE CONTACT SURFACES OF THE TERMINALS ARE COATED WITH LUBRICANT.
- 4. OPTIONAL MOUNTING HOLE FOR SELF-TAPPING SCREW.
- 5. "1" ON HOUSING INDICATES LOCATION OF TERMINAL 1.
- 6. ALL PLATED-THRU HOLES SHALL BE PER AMP SPEC 115-6072.
- 7. 50 LBS. MINIMUM FORCE REQUIRED TO UNSEAT CONNECTOR FROM PRINTED CIRCUIT BOARD WITHOUT USE OF HARDWARE.
- 8. CENTER-TO-CENTER SPACING OF TERMINALS IS 2.16 [.085] NOMINAL.
- 9. RETAINER MUST REMAIN INSTALLED UNTIL AFTER CONNECTOR HAS BEEN INSERTED INTO PCB HOLES.

OBSOLETE	TIN-LEAD	557984-2
	GOLD	557984-1
	ACTION PIN PLATING	PART NUMBER

THIS DRAWING IS A CONTROLLED DOCUMENT.		DIN JOEL H. WOOTEN 14APR93		C.WHITT 22APR93	
DIMENSIONS: mm		TOLERANCES UNLESS OTHERWISE SPECIFIED:		NAME	
		0 PLC ± - 1 PLC ± - 2 PLC ± - 3 PLC ± - 4 PLC ± - ANGLES ± -		R. RAHERTY 26APR93	
MATERIAL		FINISH		SIZE	
				A1 00779 C=557984	
CUSTOMER DRAWING		SCALE 1:1		SHEET 1 OF 1 REV E	

## Looking for pricing, stock, or lifecycle information?

Click below to explore more details on WIN SOURCE:

 [View 557984-1 on WIN SOURCE](#)

 [TE Connectivity](#) Information

## Optimize Your Supply Chain with WIN SOURCE Solutions

-  Global Sourcing Solution
-  Obsolete Management
-  Cost Control Management
-  Shortage Management
-  Alternative Solution
-  Excess Inventory Management