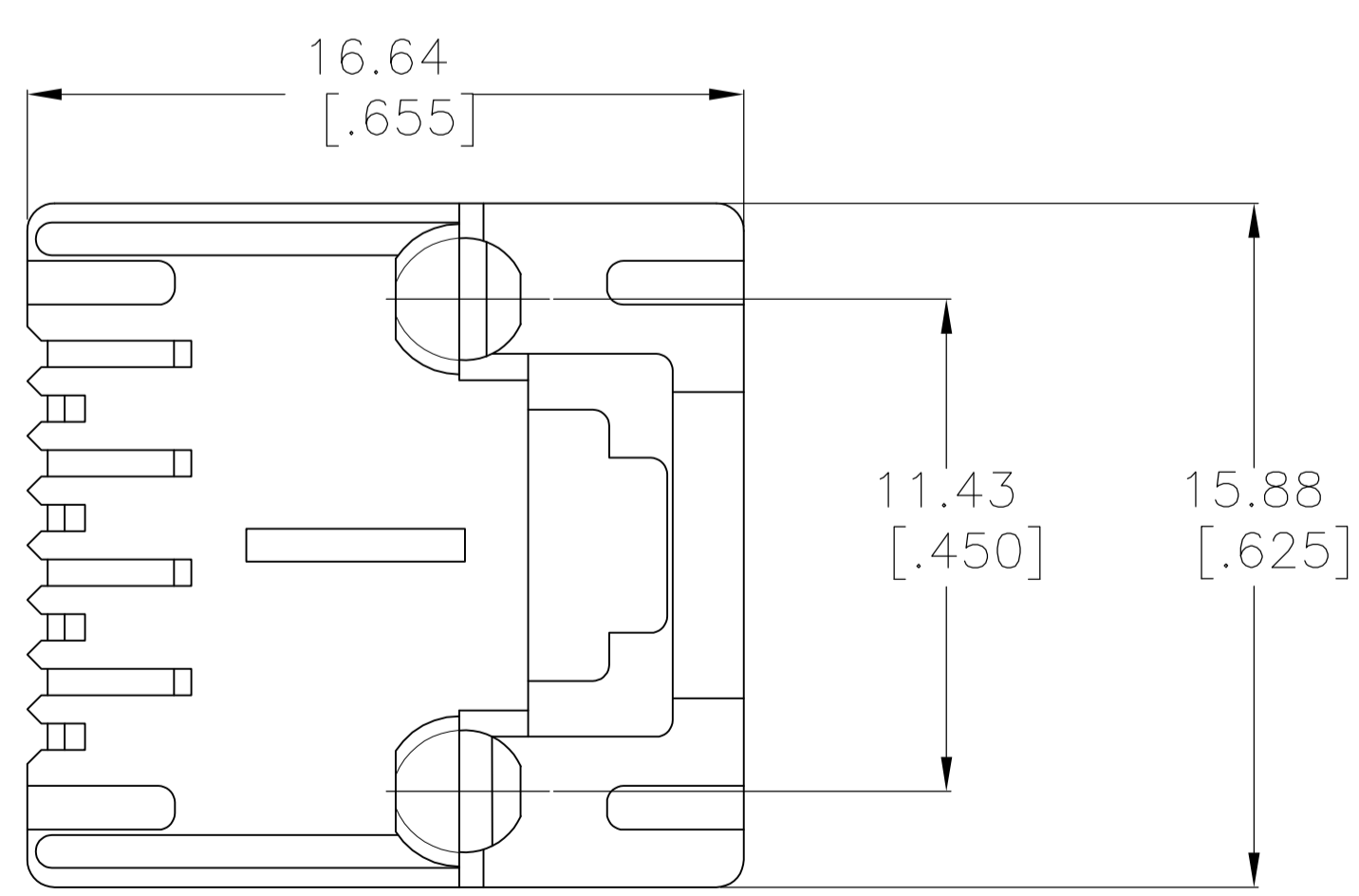
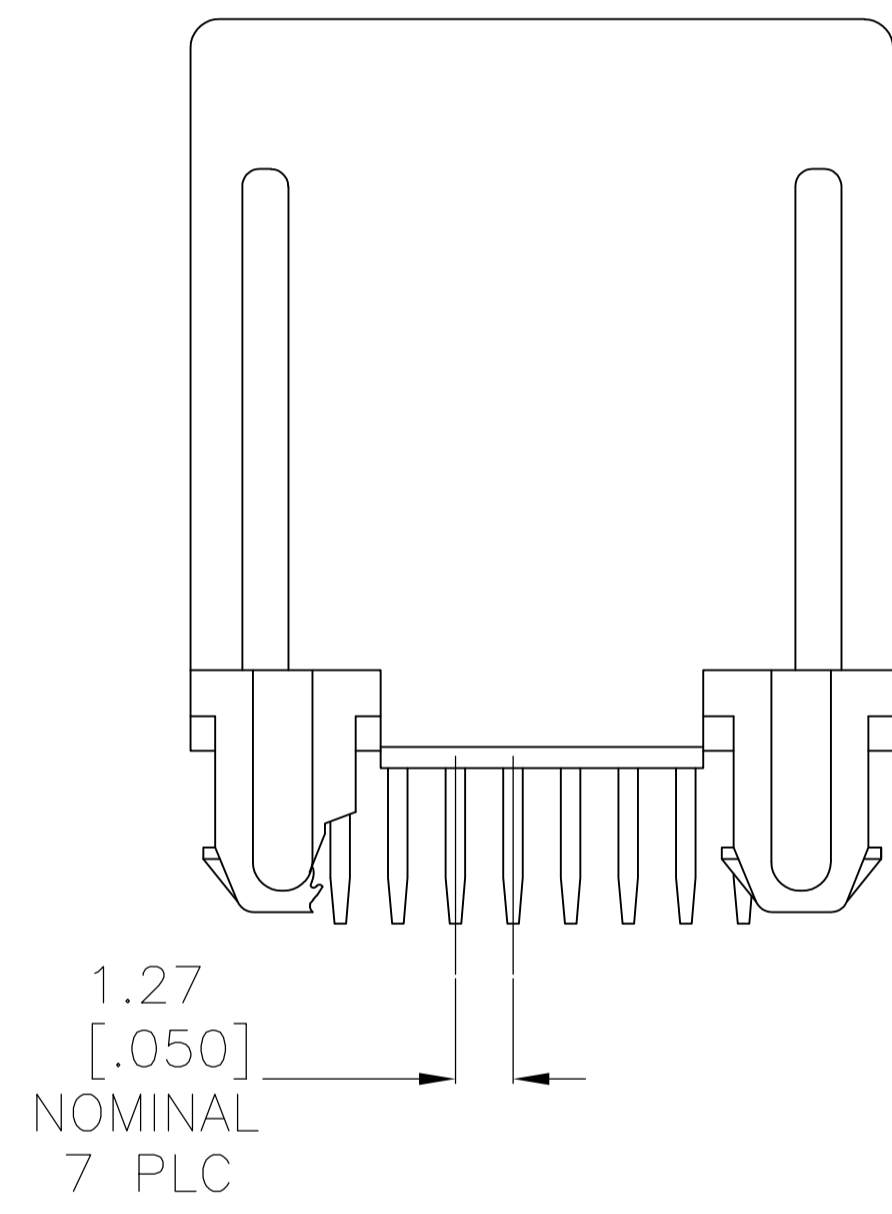
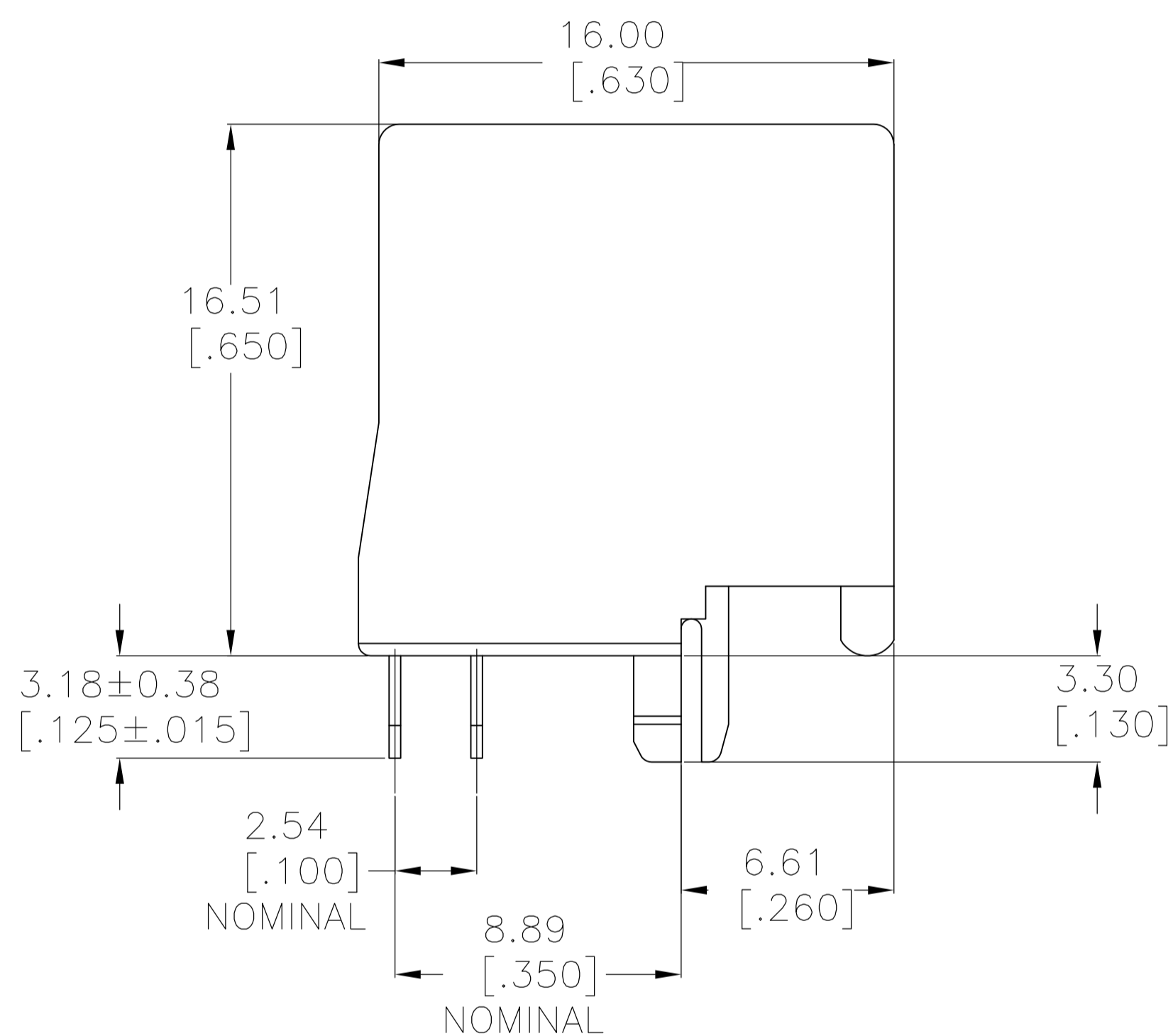
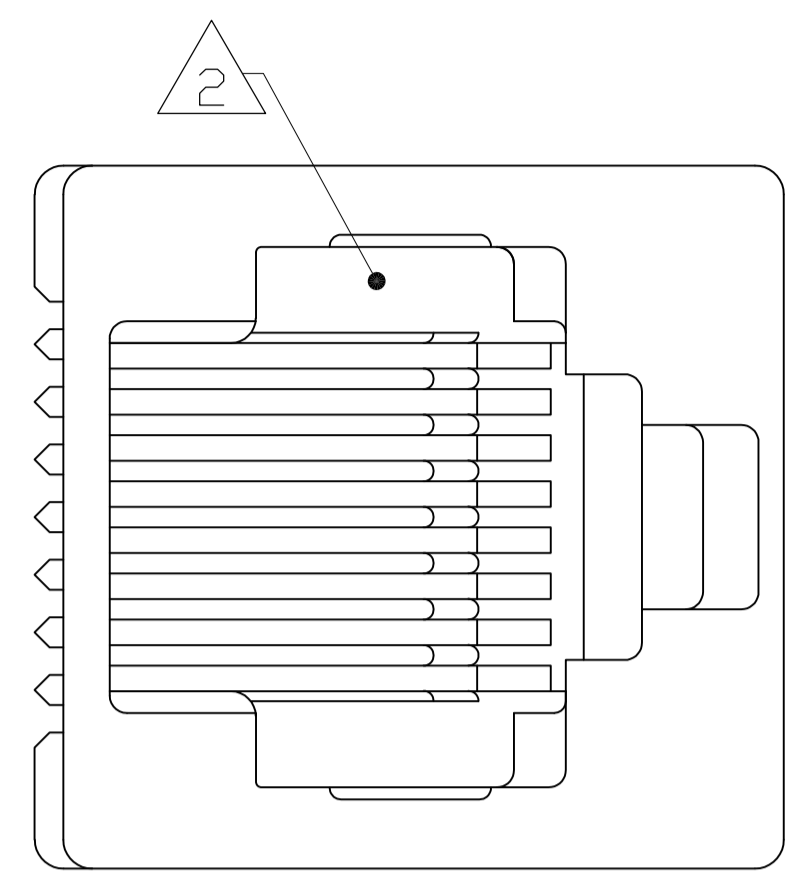




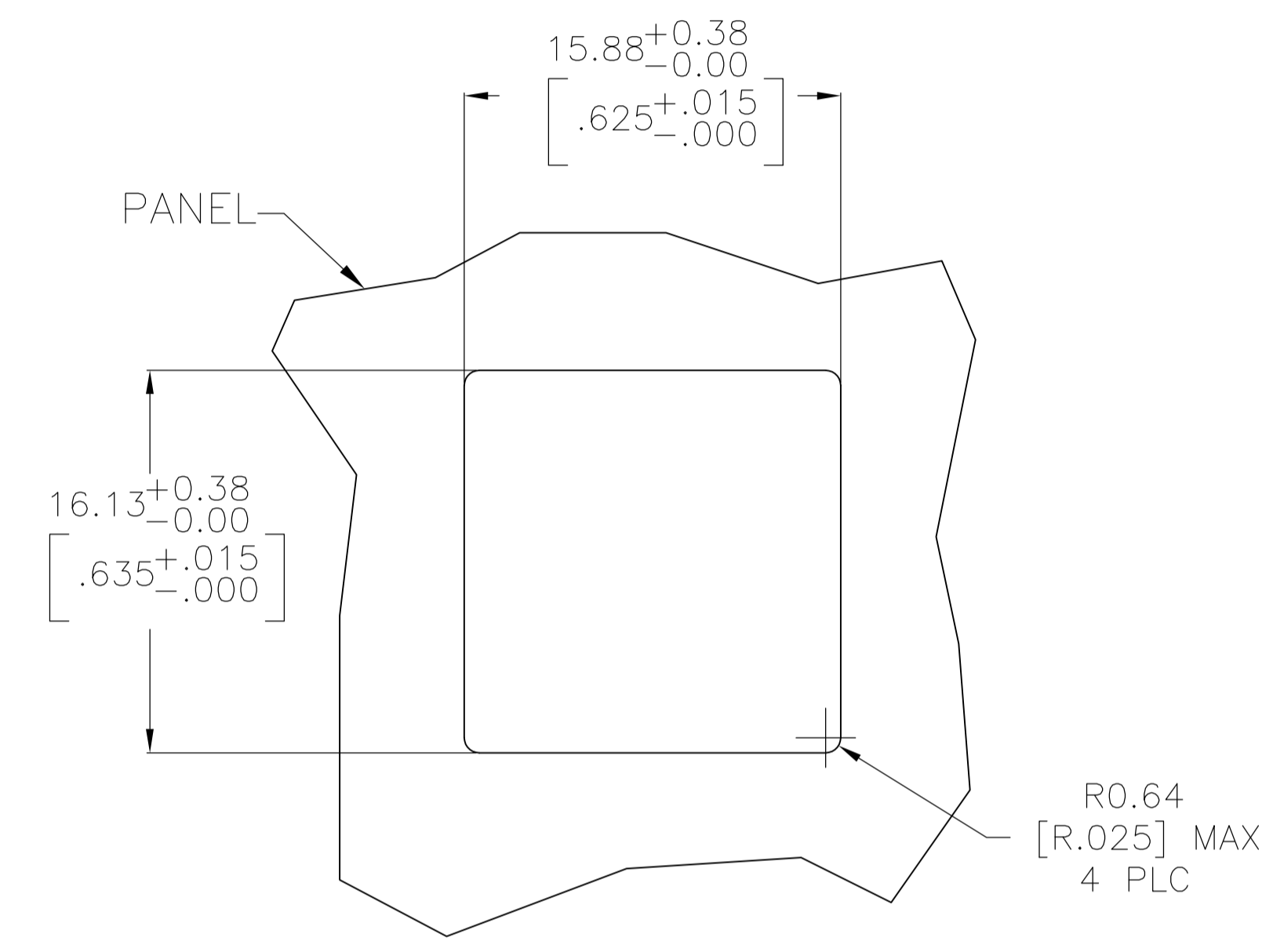
THE DATASHEET OF
5556416-1



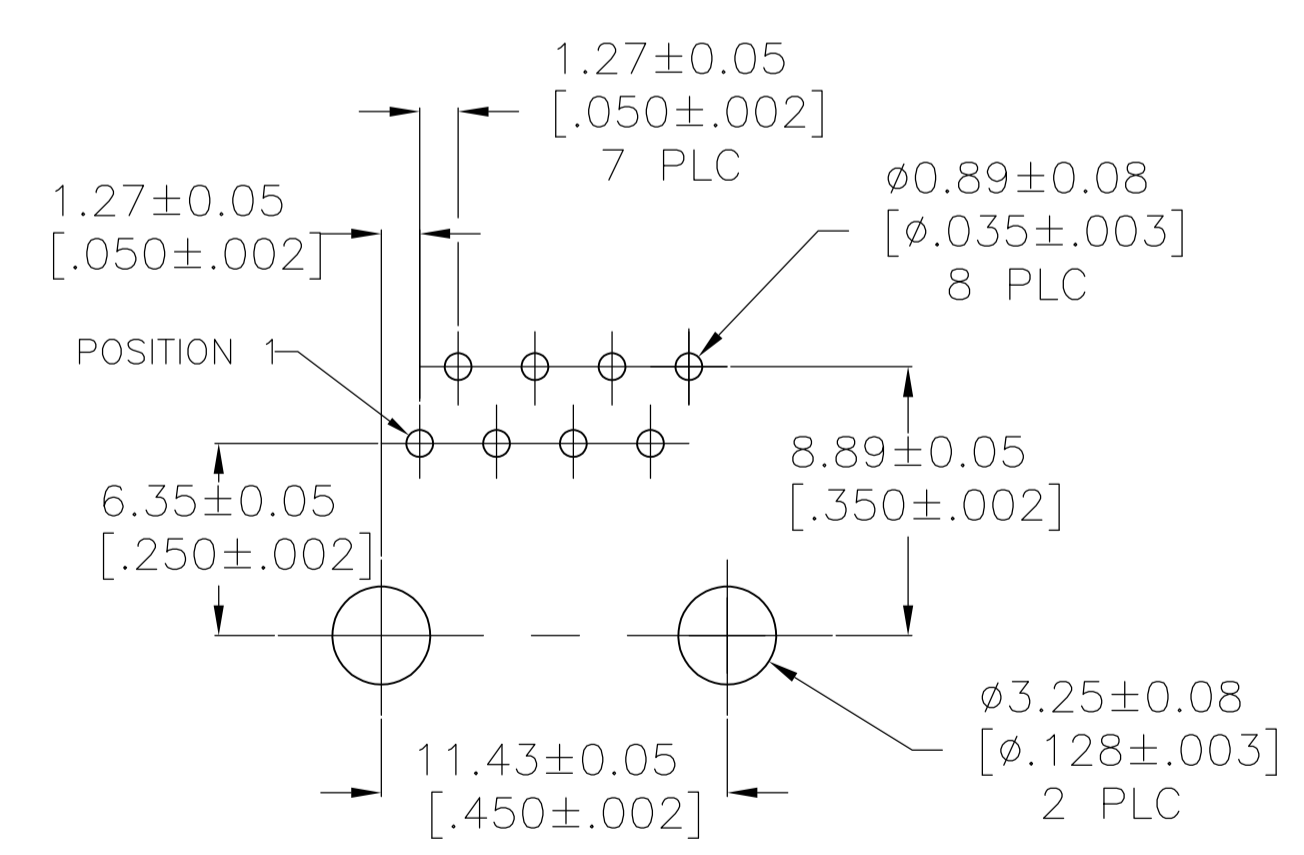
LOC		DIST		REVISIONS			
AA	00	REV	DATE	BY	CHK	APPV	
C1	REVISED PER ECO-11-005033	23MAR11	RK	HMR			



- MATERIAL: HOUSING- PBT POLYESTER, BLACK.
TERMINAL- 0.36[.014] THICK PHOS BRONZE PLATED WITH 1.27μm[.000050] MINIMUM THICK HARD GOLD LOCALIZED GOLD PLATE AREA AND 3.81μm[.000150] MINIMUM THICK MATTE TIN IN SOLDER AREA OVER 1.27μm[.000050] MINIMUM THICK NICKEL UNDERPLATE.
- CAVITY CONFORMS TO FCC RULES AND REGULATIONS PART 68 AND REA BULLETIN 345-81, PE-76 SPECIFICATION FOR MODULAR TELEPHONE HARDWARE.
- ALL DIMENSIONS SHOWN ARE MAXIMUM UNLESS OTHERWISE SPECIFIED.
- BULK PACKAGED IN A TRAY.
- PACKAGED 30 PER TUBE.



RECOMMENDED PANEL CUTOUT SCALE 4:1



RECOMMENDED PRINTED CIRCUIT BOARD LAYOUT COMPONENT SIDE SCALE 4:1

5	5556416-2
4	5556416-1
PACKAGED	PART NO

THIS DRAWING IS A CONTROLLED DOCUMENT.		DIN E. LATTUCA 12SEPT05		TE Connectivity	
DIMENSIONS: mm [INCHES]		TOLERANCES UNLESS OTHERWISE SPECIFIED:			
0 PLC ± -		1 PLC ± -		APVD J. WESTMAN 12SEPT05	
2 PLC ± -		3 PLC ± -		APVD S. FLICKINGER 12SEPT05	
4 PLC ± -		ANGLES ± ± -		NAME	
MATERIAL SEE NOTE 1		FINISH SEE NOTE 1		PRODUCT SPEC	
				108-1163	
				APPLICATION SPEC	
				114-2048	
				SIZE	
				A1 00779	
				DRAWING NO	
				5556416	
				RESTRICTED TO	
				-	
				CUSTOMER DRAWING	
				SCALE 6:1 SHEET 1 OF 1 REV C1	

Looking for pricing, stock, or lifecycle information?

Click below to explore more details on WIN SOURCE:

 [View 5556416-1 on WIN SOURCE](#)

 [TE Connectivity](#) Information

Optimize Your Supply Chain with WIN SOURCE Solutions

-  Global Sourcing Solution
-  Obsolete Management
-  Cost Control Management
-  Shortage Management
-  Alternative Solution
-  Excess Inventory Management