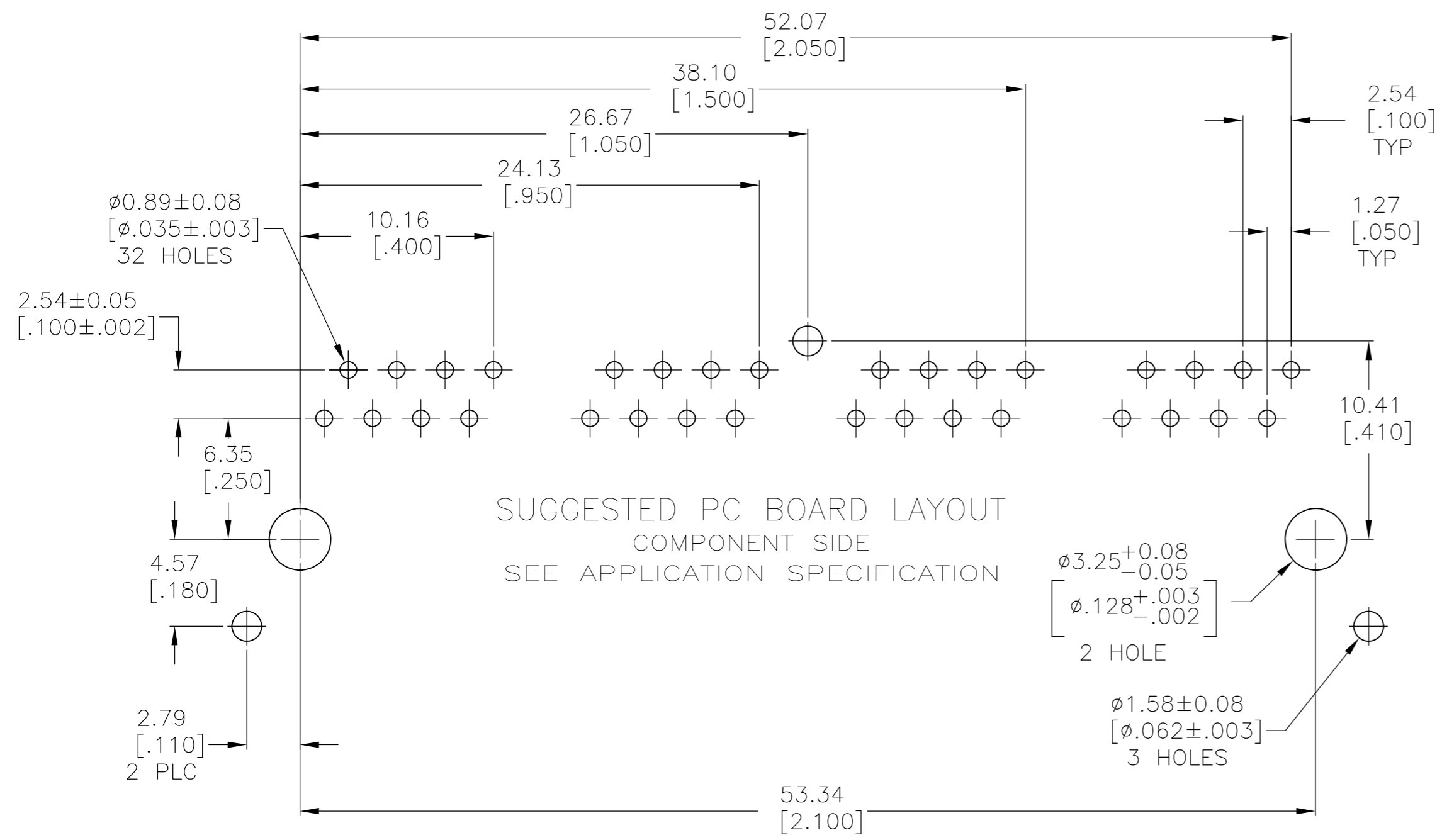
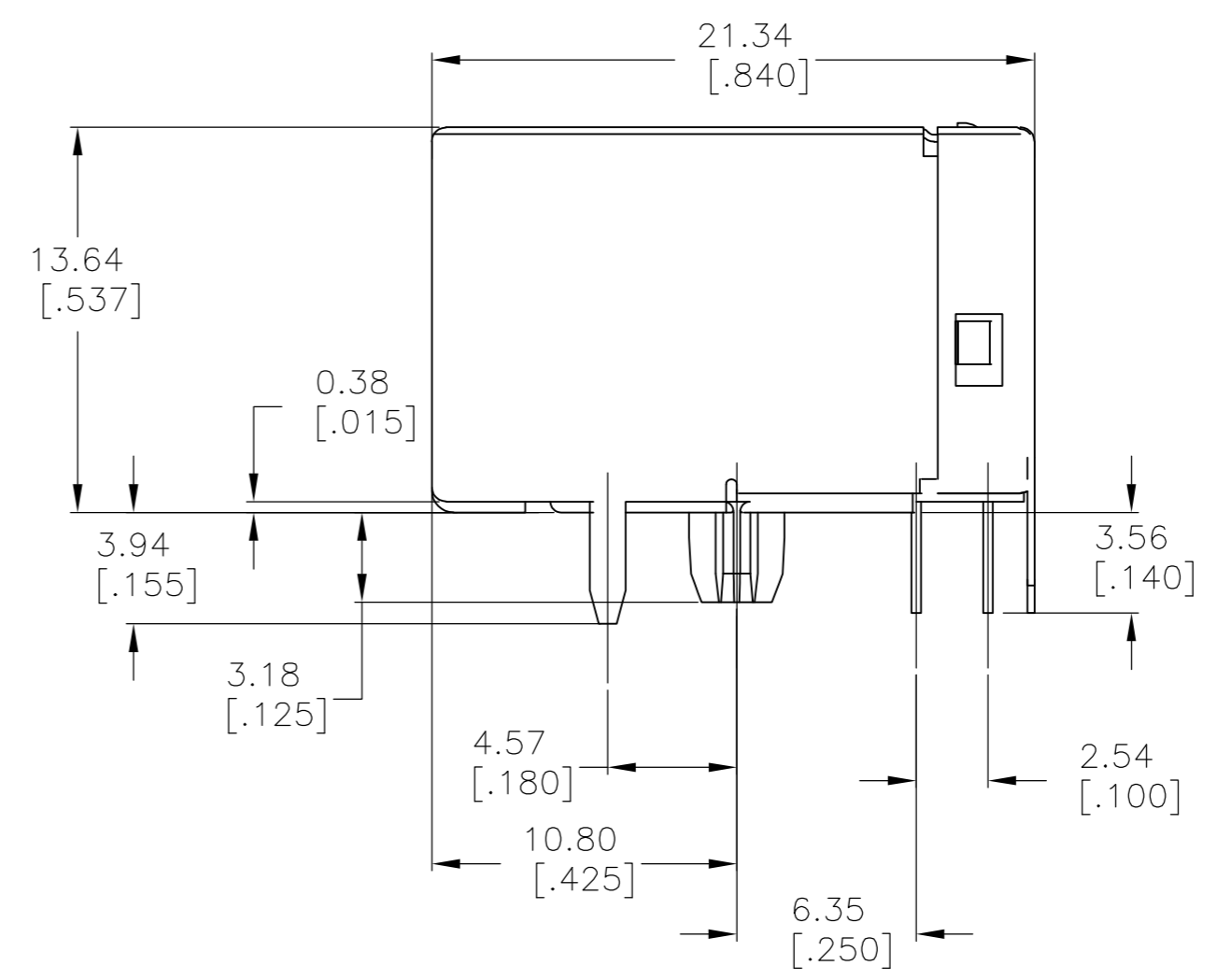
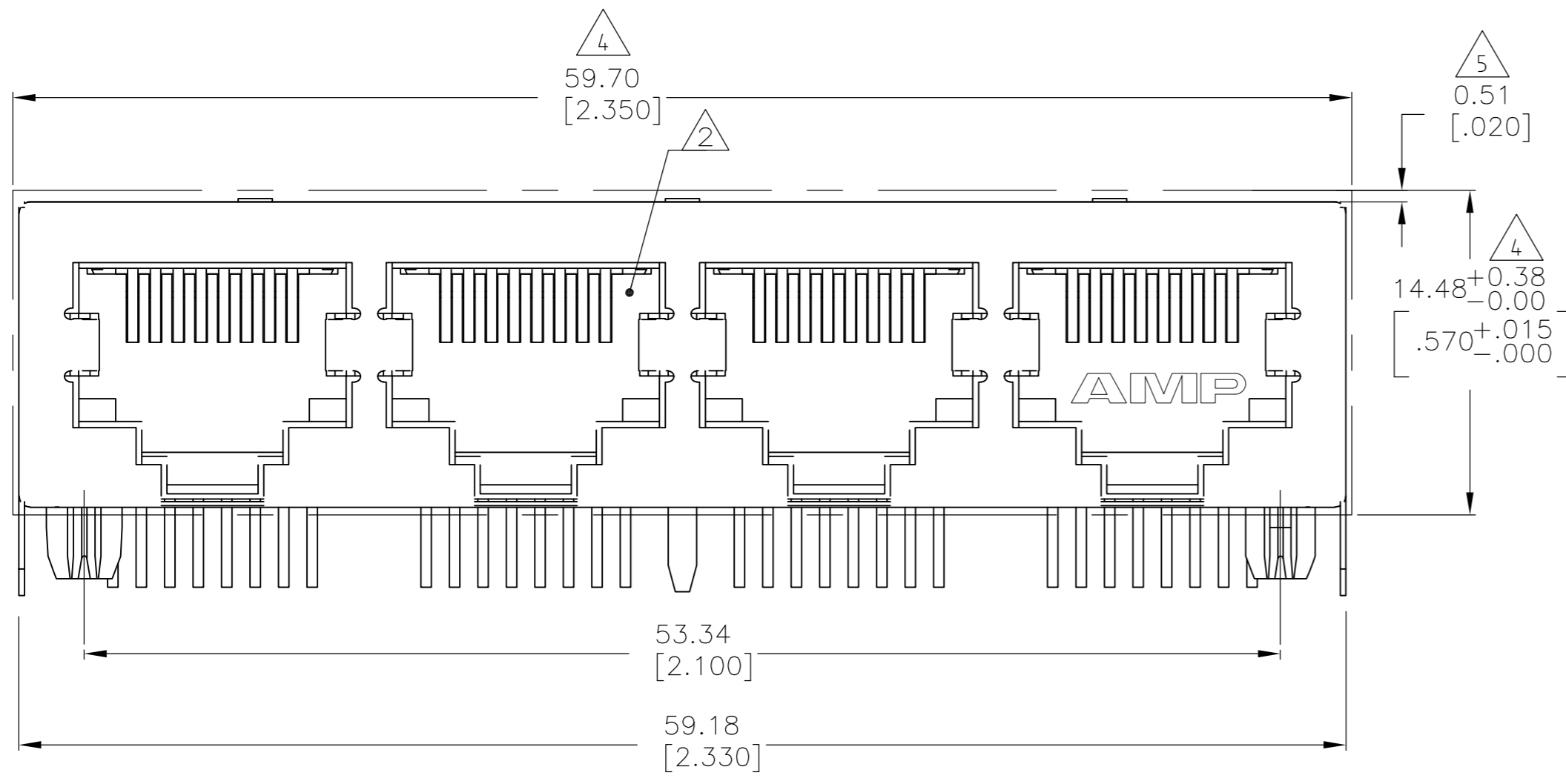
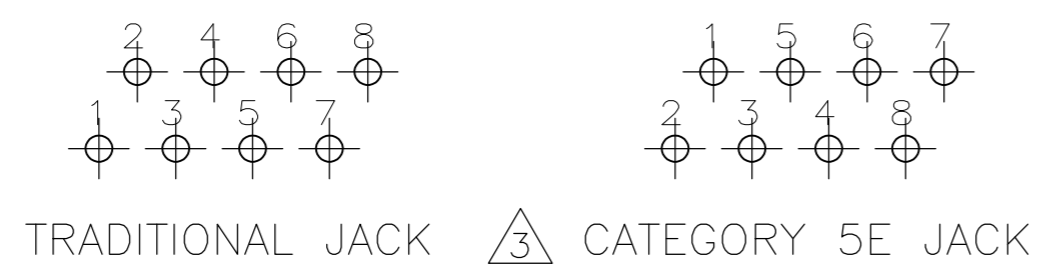


THIS DRAWING IS UNPUBLISHED. RELEASED FOR PUBLICATION
 © COPYRIGHT - By - ALL RIGHTS RESERVED.

REVISIONS				
P	LTR	DESCRIPTION	DATE	APVD
E		ECO-16-005833	15APR2016	LL SH



SUGGESTED PC BOARD LAYOUT
 COMPONENT SIDE
 SEE APPLICATION SPECIFICATION



- MATERIAL: HOUSING- HIGH TEMPERATURE NYLON, BLACK, IR COMPATIBLE, UL 94V-0.
 TERMINALS - 0.33 [.013] THICK PHOS BRONZE PLATED WITH 1.27um [.000050] MINIMUM HARD GOLD IN LOCALIZED AREA AND 3.81um [.000150] MINIMUM TIN IN SOLDER AREA OVER 1.27um [.000050] MINIMUM NICKEL UNDERPLATE

SHIELDS - 0.25 [.010] THICK COPPER ALLOY PLATED WITH 1.27 um [.000050] MINIMUM NICKEL AND 2.03 um [.000080] MINIMUM HOT TIN DIP ON PCB GROUND TABS.

- △ JACK CAVITY CONFORMS TO FCC RULES AND REGULATIONS, PART 68 SUBPART F.
- △ CAUTION: CATEGORY 5E JACK SOLDER TAIL POSITIONS DO NOT FOLLOW SAME NUMBER SEQUENCE AS THAT OF THE TRADITIONAL JACKS.
- △ SUGGESTED PANEL OPENING DIMENSIONS
- △ SUGGESTED CLEARANCE BETWEEN TOP OF CONNECTOR AND TOP PANEL OPENING

5558503-1
 PART NUMBER

THIS DRAWING IS A CONTROLLED DOCUMENT.		DWN W. LONG/L.A.MAYER 04NOV2006		
DIMENSIONS: mm [INCHES]		CHK J.WESTMAN 04NOV2006		
TOLERANCES UNLESS OTHERWISE SPECIFIED:		APVD S.FLICKINGER 04NOV2006	NAME MOD JACK ASSY, 4P, 8 POSN, RT, CAT 5E, PCB GND SHLD	
0 PLC ± -		PRODUCT SPEC 108-1163-2	SIZE A2	
1 PLC ± -		APPLICATION SPEC 114-2048	CAGE CODE 00779	DRAWING NO C=5558503
2 PLC ± 0.25 [.010]		MATERIAL SEE NOTE 1	WEIGHT 0	RESTRICTED TO -
3 PLC ± -		FINISH SEE NOTE 1	CUSTOMER DRAWING	SCALE 4:1
4 PLC ± -				SHEET 1 OF 1
ANGLES ± -				REV E

Looking for pricing, stock, or lifecycle information?

Click below to explore more details on WIN SOURCE:

 [View 5558503-1](#) on WIN SOURCE

 [TE Connectivity](#) Information

Optimize Your Supply Chain with WIN SOURCE Solutions

-  Global Sourcing Solution
-  Obsolete Management
-  Cost Control Management
-  Shortage Management
-  Alternative Solution
-  Excess Inventory Management