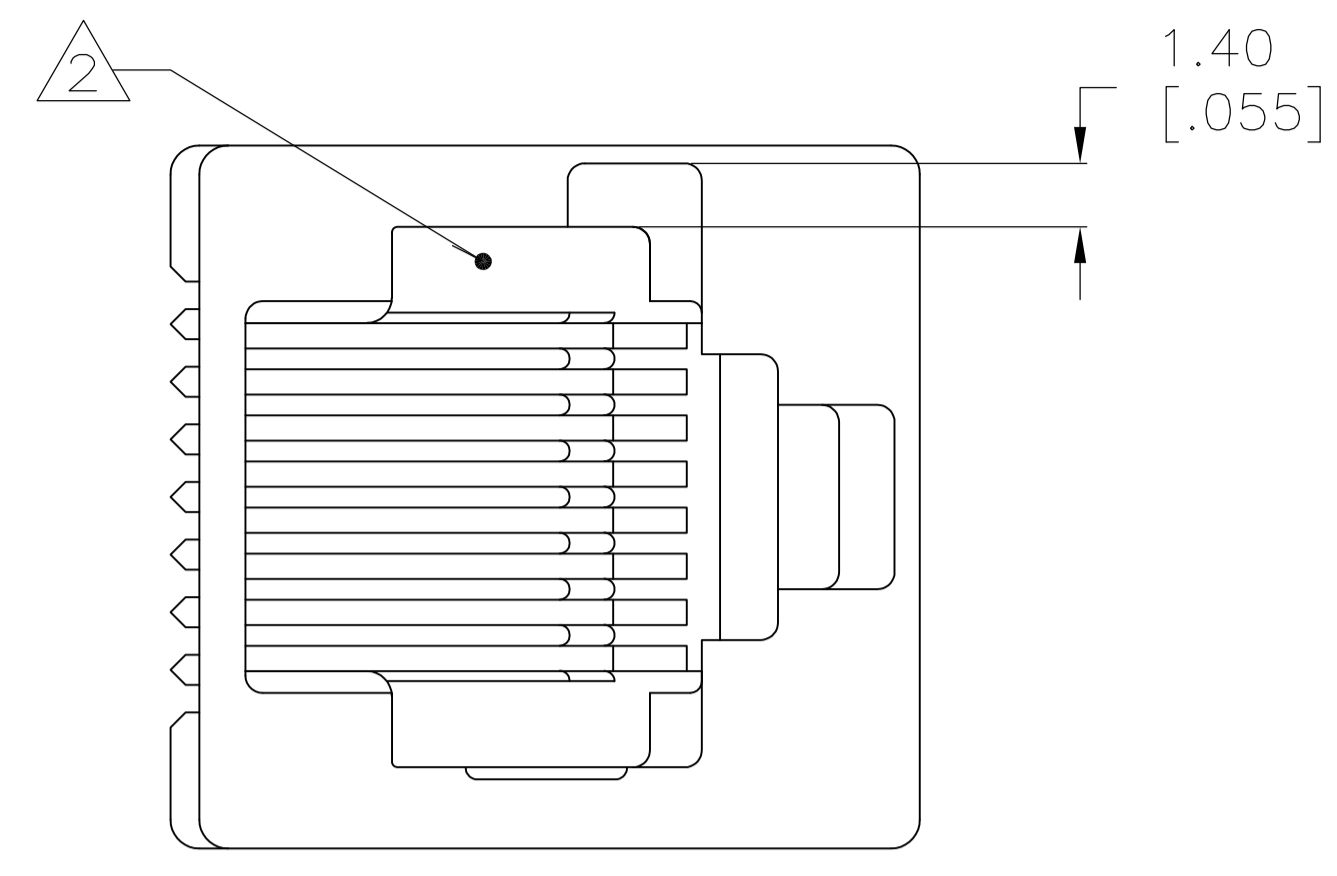


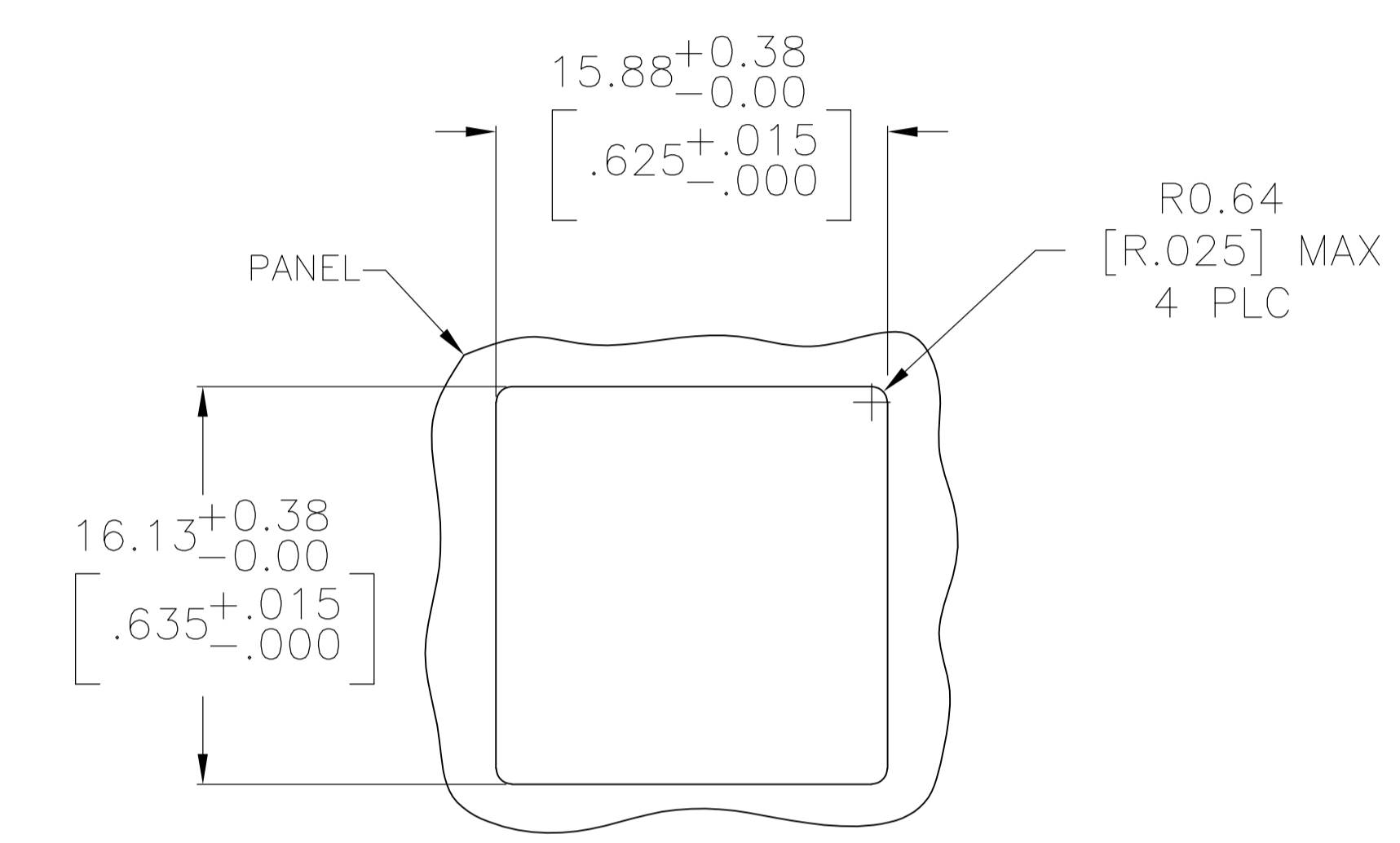
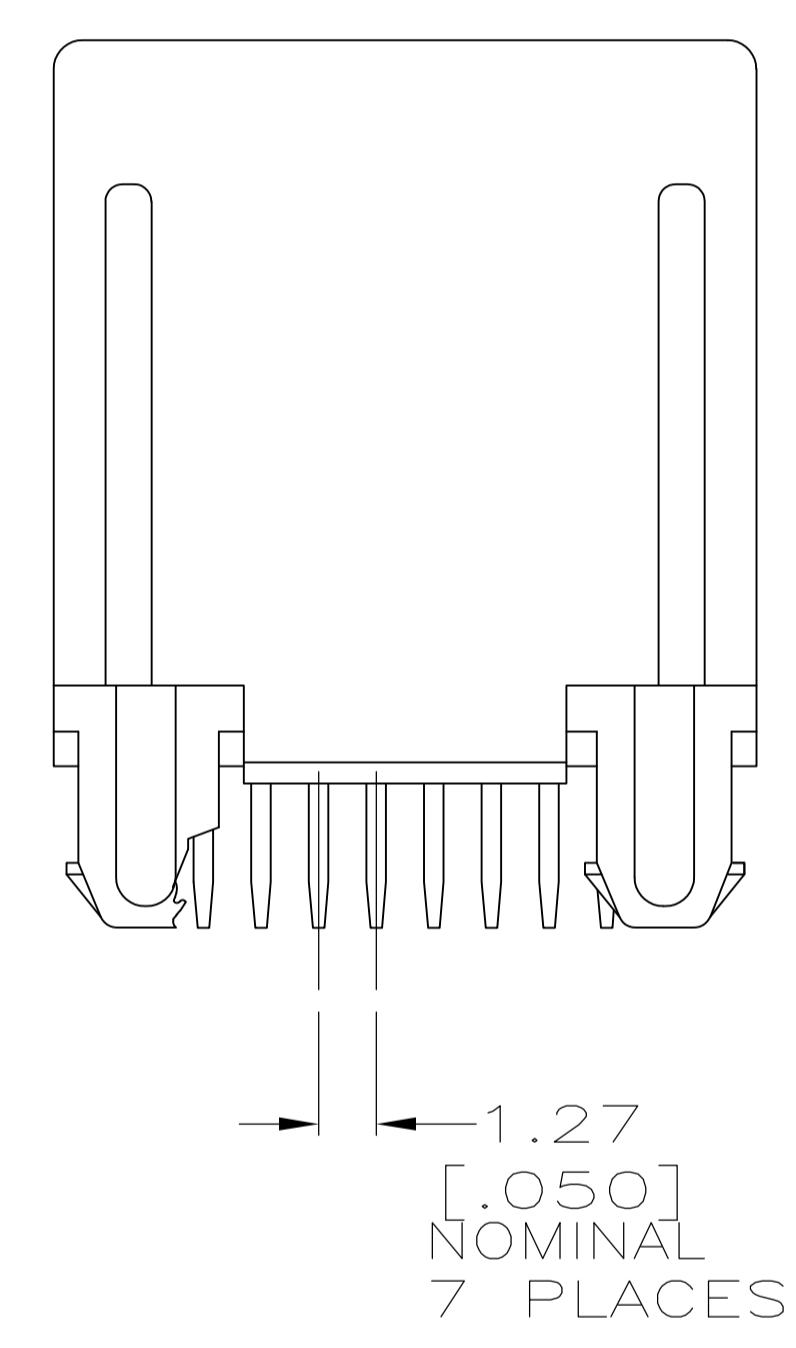
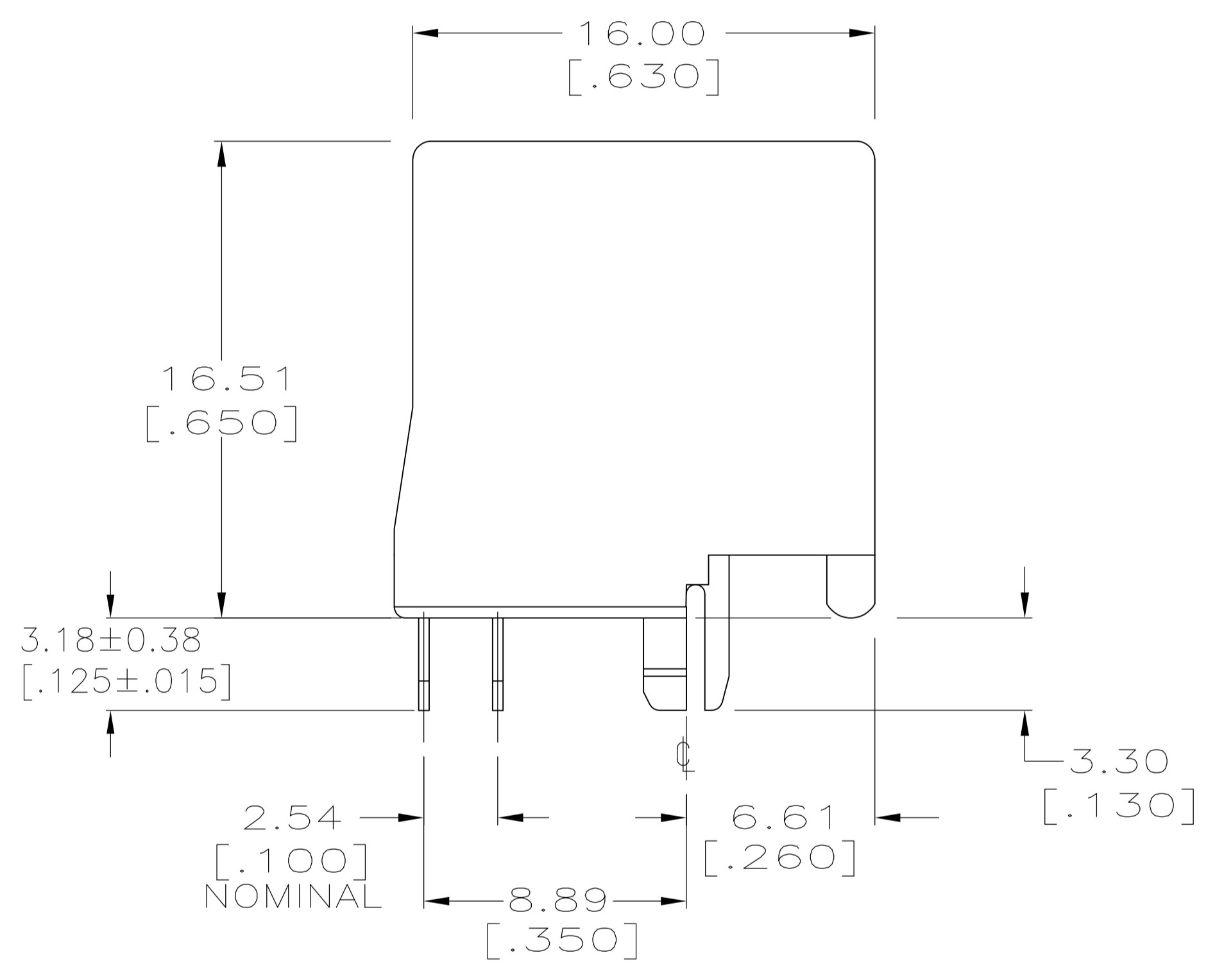


**THE DATASHEET OF**  
**5555799-1**

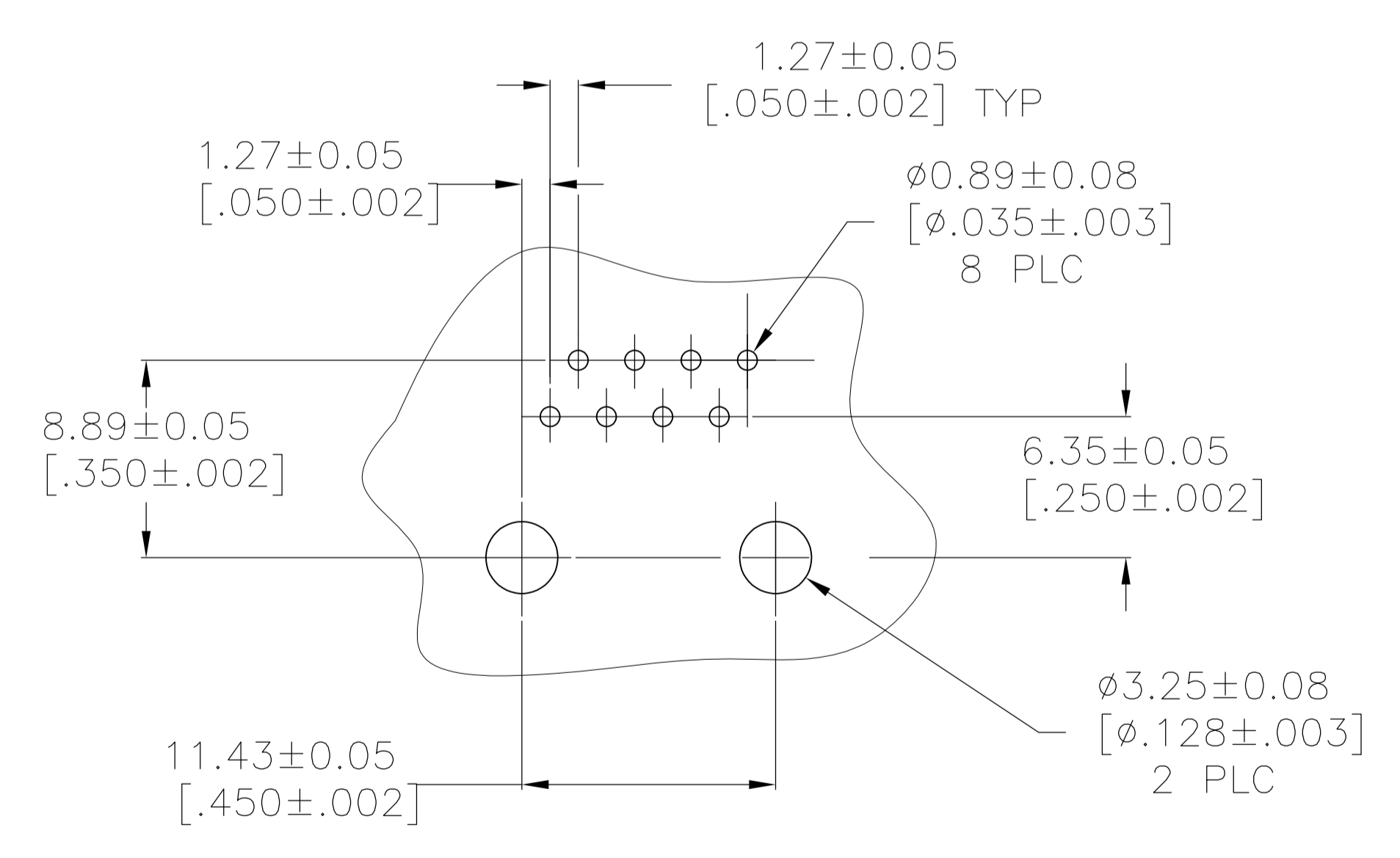
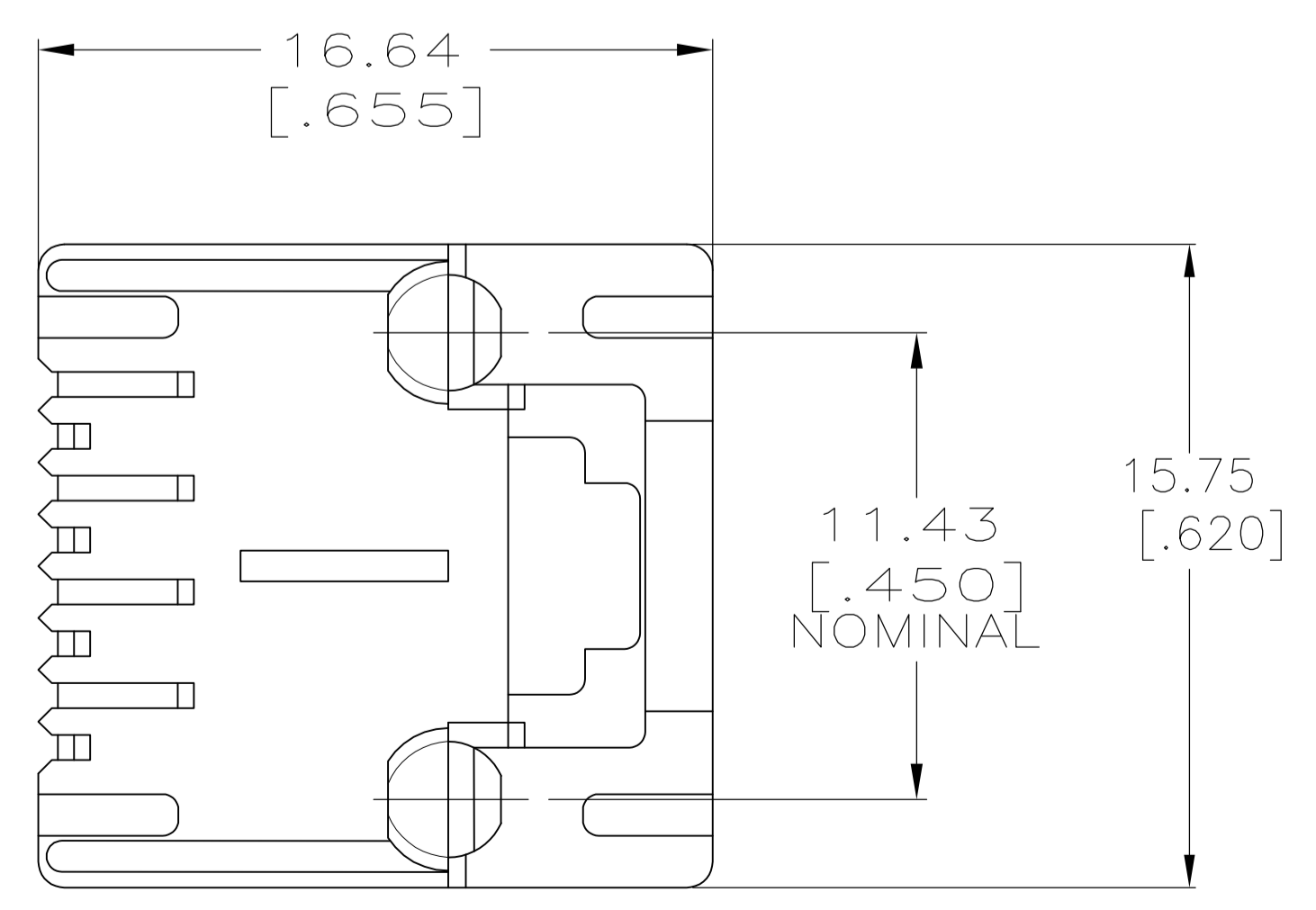




- MATERIAL: HOUSING: PBT POLYESTER, COLOR: BLACK  
 TERMINAL: 0.36[.014] THICK PHOS BRONZE PLATED WITH 1.27 $\mu$ m [.000050] MIN THICK HARD GOLD IN LOCALIZED GOLD PLATE AREA AND 3.81 $\mu$ m [.000150] MIN THICK MATTE TIN IN SOLDER AREA OVER 1.27 $\mu$ m [.000050] MIN THICK NICKEL UNDERPLATE
- CAVITY CONFORMS TO FCC RULES AND REGULATIONS PART 68 REA BULLETIN 345-81, PE-76 SPECIFICATION FOR MODULAR TELEPHONE HARDWARE
- ALL DIMENSIONS SHOWN ARE MAXIMUM UNLESS OTHERWISE SPECIFIED



RECOMMENDED PANEL CUTOUT  
SCALE 4:1



RECOMMENDED PRINTED CIRCUIT BOARD LAYOUT  
COMPONENT SIDE  
SCALE 4:1

5555799-1  
PART NO

THIS DRAWING IS A CONTROLLED DOCUMENT.		DIN B. LATTUCA 12SEP05	Tyco Electronics Corporation Harrisburg, PA 17105-3608	
DIMENSIONS: mm [INCHES]		CHK J. WESTMAN 12SEP05	NAME S. FLICKINGER 12SEP05	
TOLERANCES UNLESS OTHERWISE SPECIFIED:		PRODUCT SPEC 108-1163		
0 PLC ± -		APPLICATION SPEC 114-2048		
1 PLC ± -		SIZE A1	CAGE CODE 00779	DRAWING NO 5555799
2 PLC ± -		CUSTOMER DRAWING		
3 PLC ± -		SCALE 6:1	SHEET 1 OF 1	REV B
4 PLC ± -				
ANGLES ± -				
MATERIAL SEE NOTE 1		FINISH SEE NOTE 1		

## Looking for pricing, stock, or lifecycle information?

Click below to explore more details on WIN SOURCE:

 [View 5555799-1 on WIN SOURCE](#)

 [TE Connectivity](#) Information

## Optimize Your Supply Chain with WIN SOURCE Solutions

-  Global Sourcing Solution
-  Obsolete Management
-  Cost Control Management
-  Shortage Management
-  Alternative Solution
-  Excess Inventory Management