



THE DATASHEET OF
5-5179180-4



4

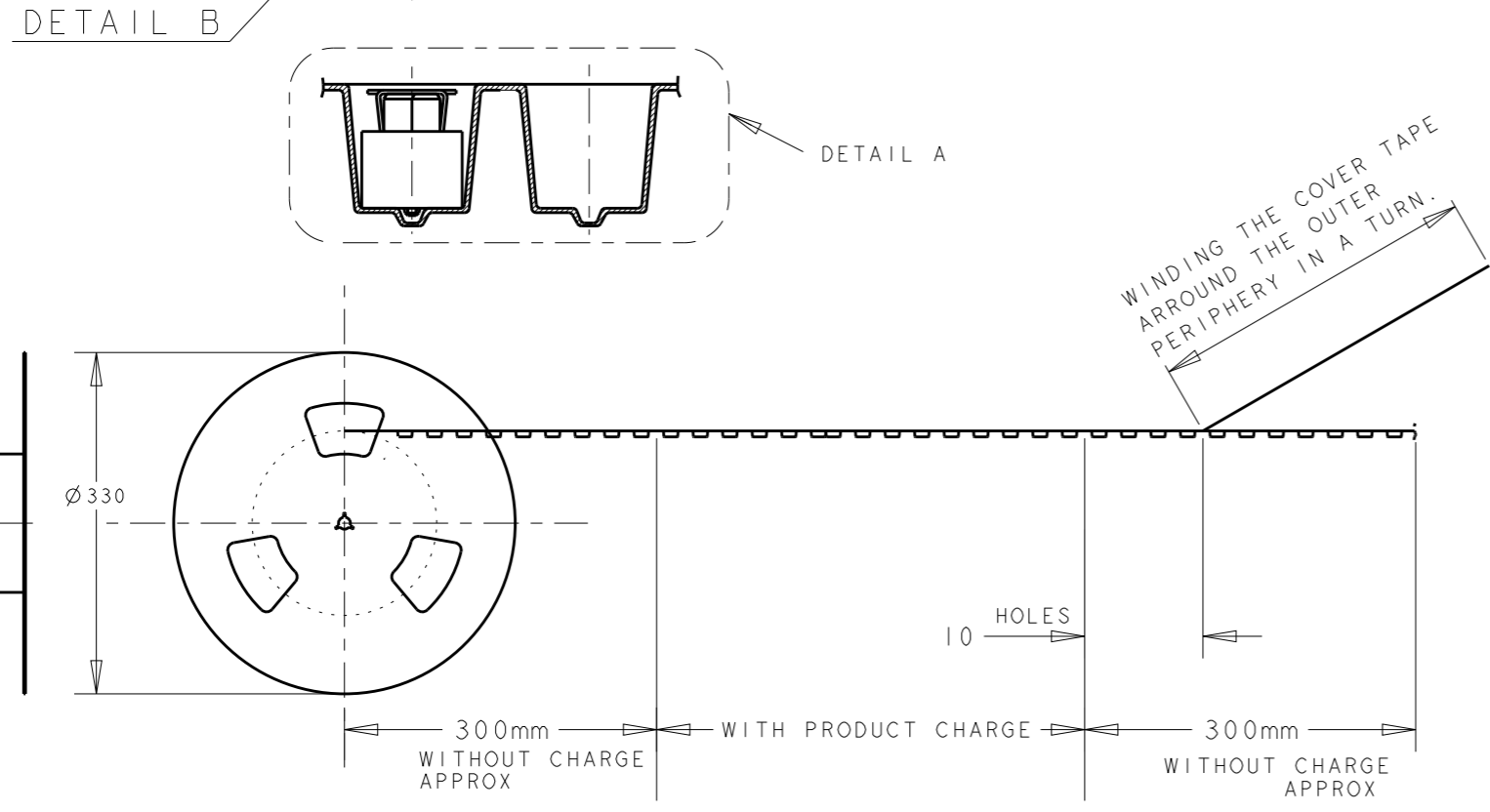
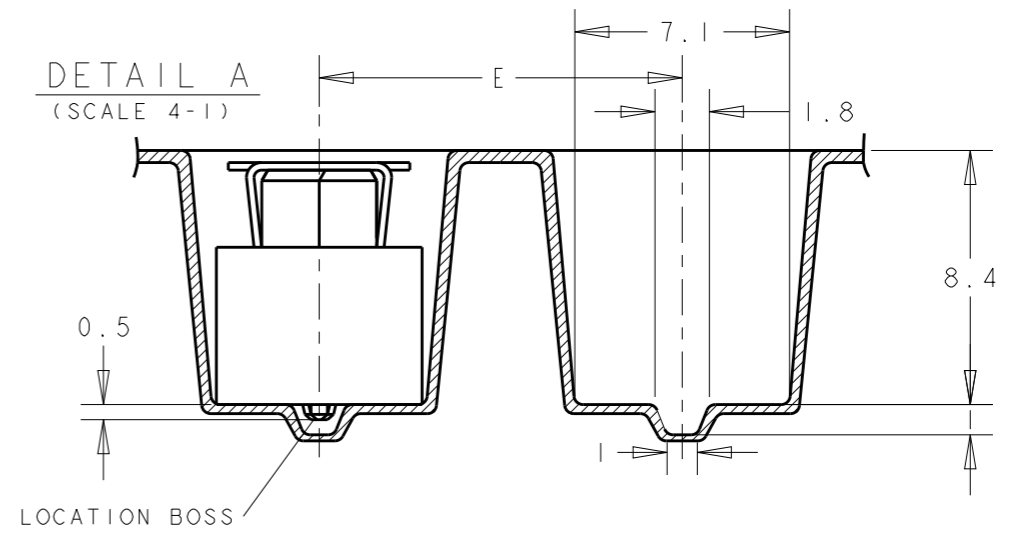
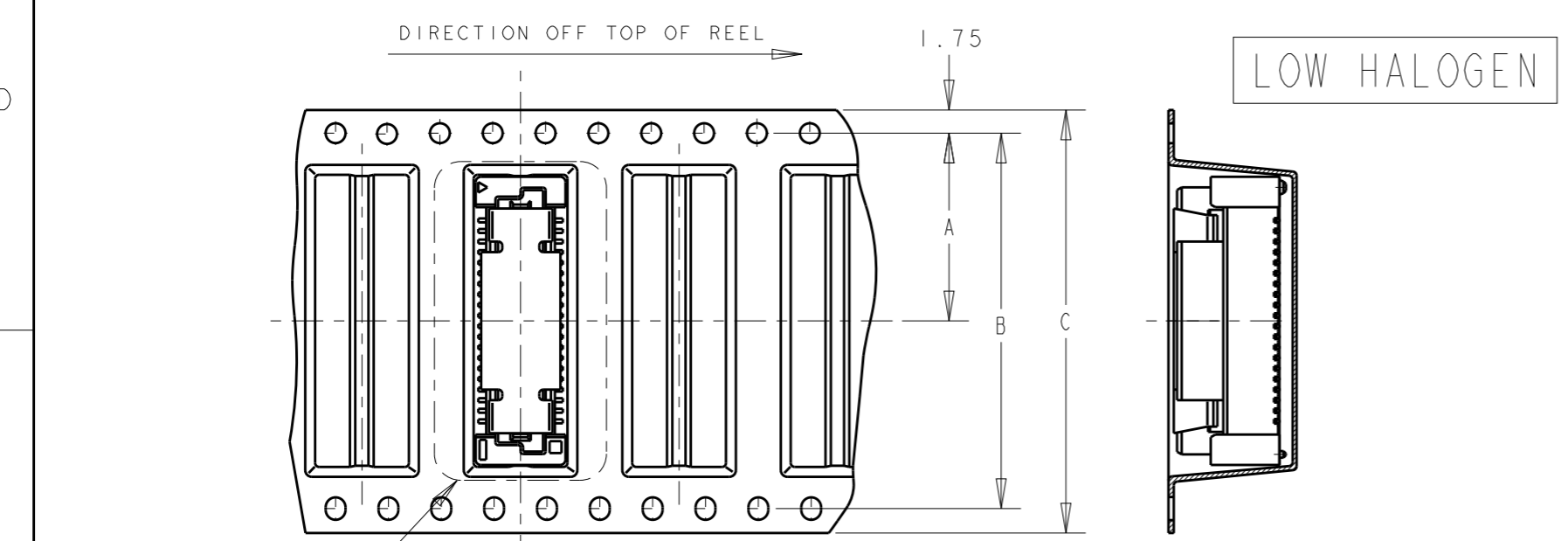
3

2

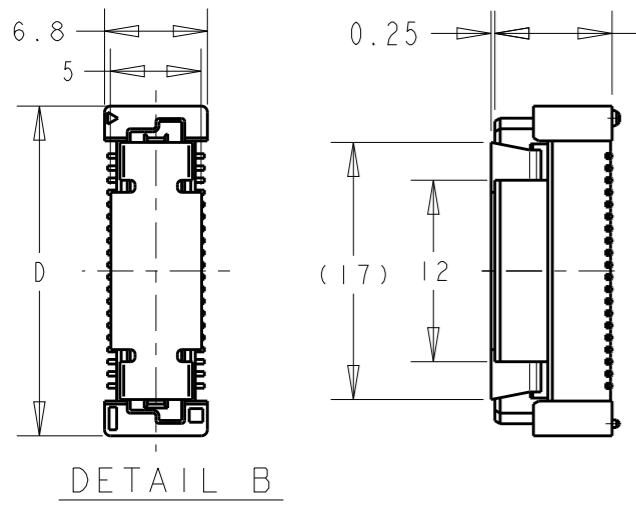
1

THIS DRAWING IS UNPUBLISHED. RELEASED FOR PUBLICATION 20
© COPYRIGHT 20 BY - ALL RIGHTS RESERVED.

REVISIONS					
P	LTR	DESCRIPTION	DATE	DWN	APVD
	D2	REVISED PER ECO-19-000703	16JAN2019	R.L	H.L



REMARKS	QTY	E	D	C	B	A	POS	PART NO
4	400	16	45.8	72	68.4	34.2	100	9- -4
	500	12	37.8	56	52.4	26.2	80	9- -3
	500	12	29.8	44	40.4	20.2	60	9- -2
	500	12	21.8	32	28.4	14.2	40	9-5179180-1
1	400	16	61.8	88	84.4	42.2	140	7- -6
	400	16	53.8	72	68.4	34.2	120	7- -5
	400	16	45.8	72	68.4	34.2	100	7- -4
	500	12	37.8	56	52.4	26.2	80	7- -3
	500	12	29.8	44	40.4	20.2	60	7- -2
2	500	12	21.8	32	28.4	14.2	40	7-5179180-1
	400	16	61.8	88	84.4	42.2	140	5- -6
	400	16	53.8	72	68.4	34.2	120	5- -5
	400	16	45.8	72	68.4	34.2	100	5- -4
	500	12	37.8	56	52.4	26.2	80	5- -3
3	500	12	29.8	44	40.4	20.2	60	5- -2
	500	12	21.8	32	28.4	14.2	40	5-5179180-1
	400	16	61.8	88	84.4	42.2	140	3- -6
	400	16	53.8	72	68.4	34.2	120	3- -5
	400	16	45.8	72	68.4	34.2	100	3- -4
	500	12	37.8	56	52.4	26.2	80	3- -3
	500	12	29.8	44	40.4	20.2	60	3- -2
	500	12	21.8	32	28.4	14.2	40	3-5179180-1



- WITH STEEL COVER
- NOTES:
- 1 0.00076 MIN GOLD PLATING. (30u INCHES GOLD PLATING)
 - 2 0.00020 MIN GOLD PLATING. (8u INCHES GOLD PLATING)
 - 3 0.00038 MIN GOLD PLATING. (15u INCHES GOLD PLATING)
 - 4 0.000076 MIN GOLD PLATING (Au FLASH GOLD PLATING)

THIS DRAWING IS A CONTROLLED DOCUMENT.

DIMENSIONS:	TOLERANCES UNLESS OTHERWISE SPECIFIED:
mm	
	0 PLC ±-
	1 PLC ±0.3
	2 PLC ±0.25
	3 PLC ±0.2
	4 PLC ±-
	ANGLES ±3°
MATERIAL	FINISH
-	-
-	-

DWN	14SEP04
FLORENCE TAN	
CHK	-
ERIC TNG	
APVD	-
SEIFONG	
PRODUCT SPEC	-
APPLICATION SPEC	-
WEIGHT	-
CUSTOMER DRAWING	

STE TE Connectivity

NAME: REC ASSY'Y 9H TYPE (0.5 BOSS L) FOR FH 0.8mm B-T-B CONN ON TAPING

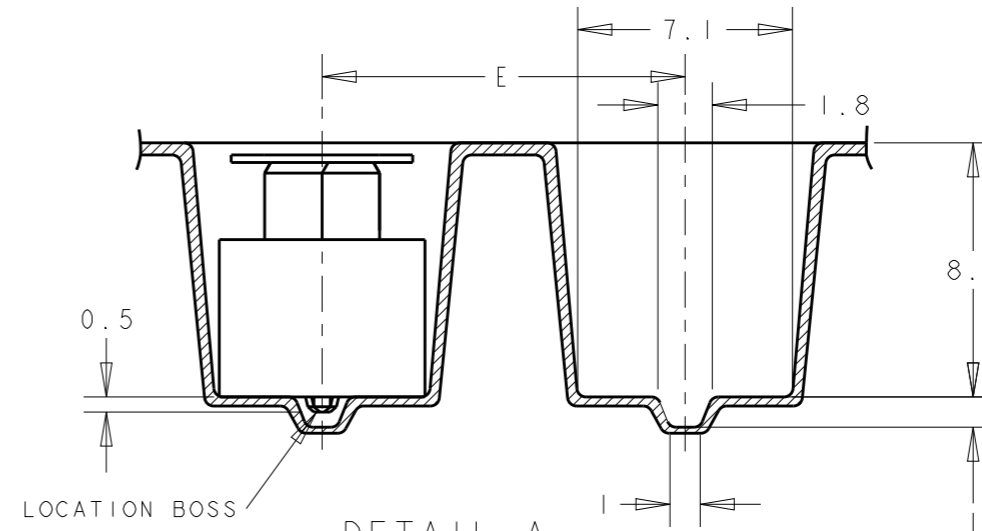
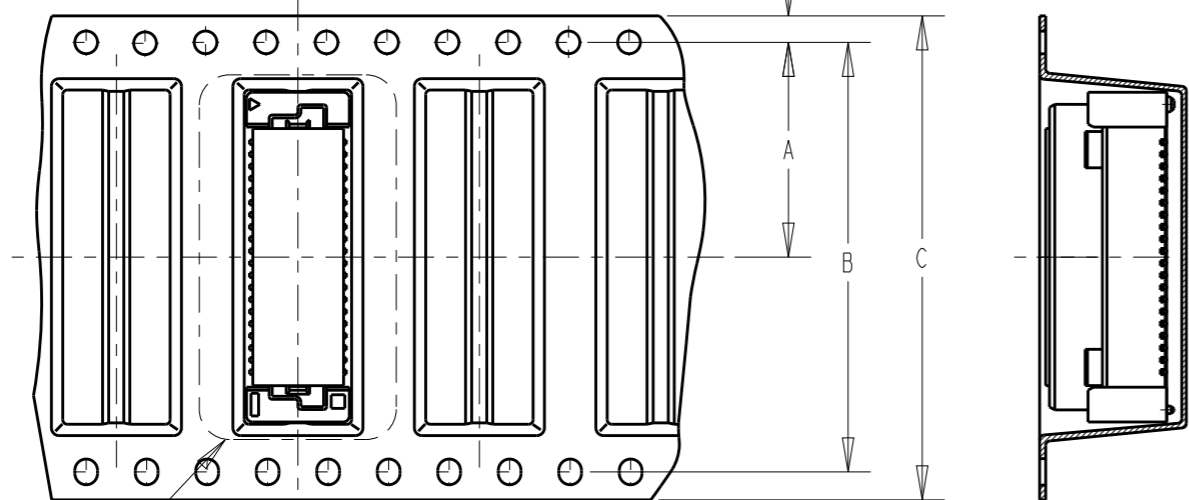
SIZE	CAGE CODE	DRAWING NO	RESTRICTED TO
A3	00779	C-5179180	-

SCALE: 2:1 SHEET 1 OF 4 REV D2

P	LTR	DESCRIPTION	DATE	DWN	APVD
		SEE SHEET 1 OF 3			

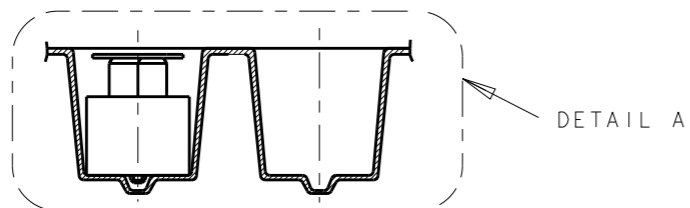
DIRECTION OFF TOP OF REEL

1.75

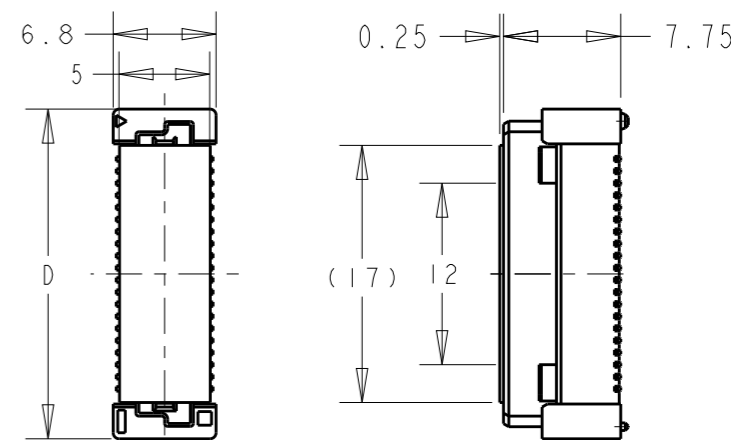
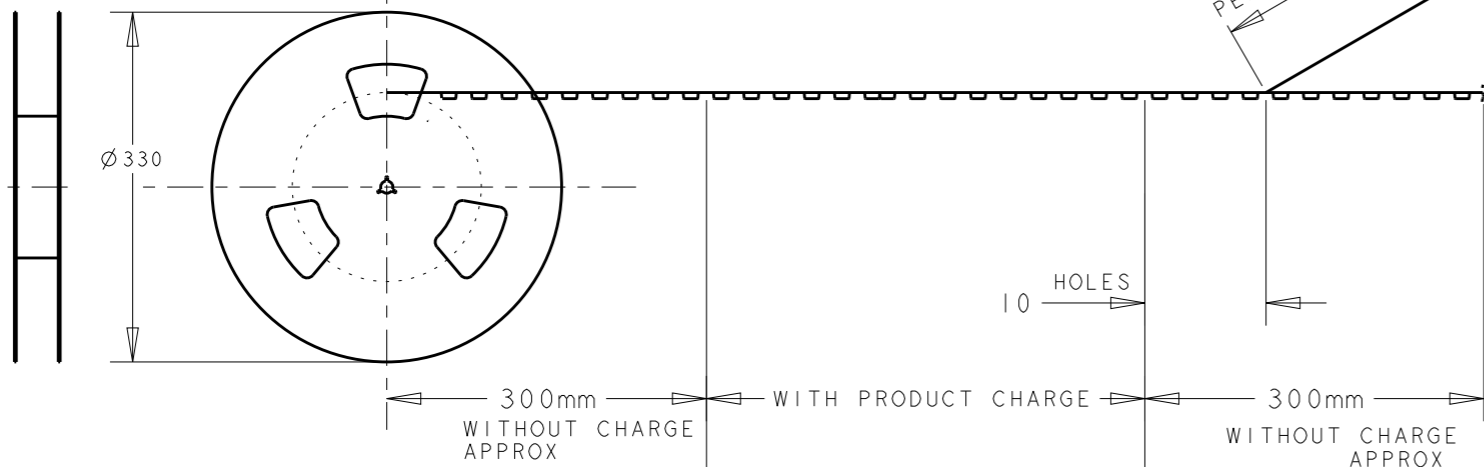


LOW HALOGEN

DETAIL B



WINDING THE COVER TAPE AROUND THE OUTER PERIPHERY IN A TURN.



DETAIL B

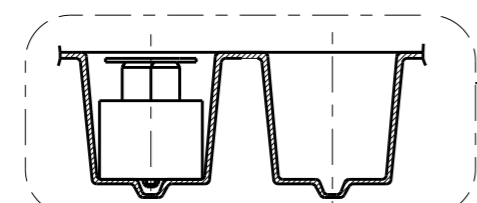
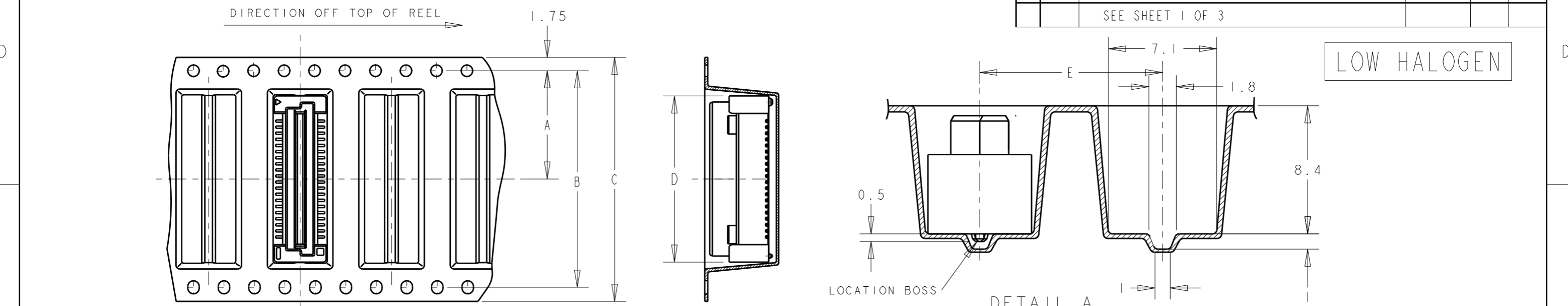
WITH POLYIMIDE COVER

9	2	400	16	61.8	88	84.4	42.2	140	9-5179180-6
REMARKS	QTY	E	D	C	B	A	POS	PART NO	

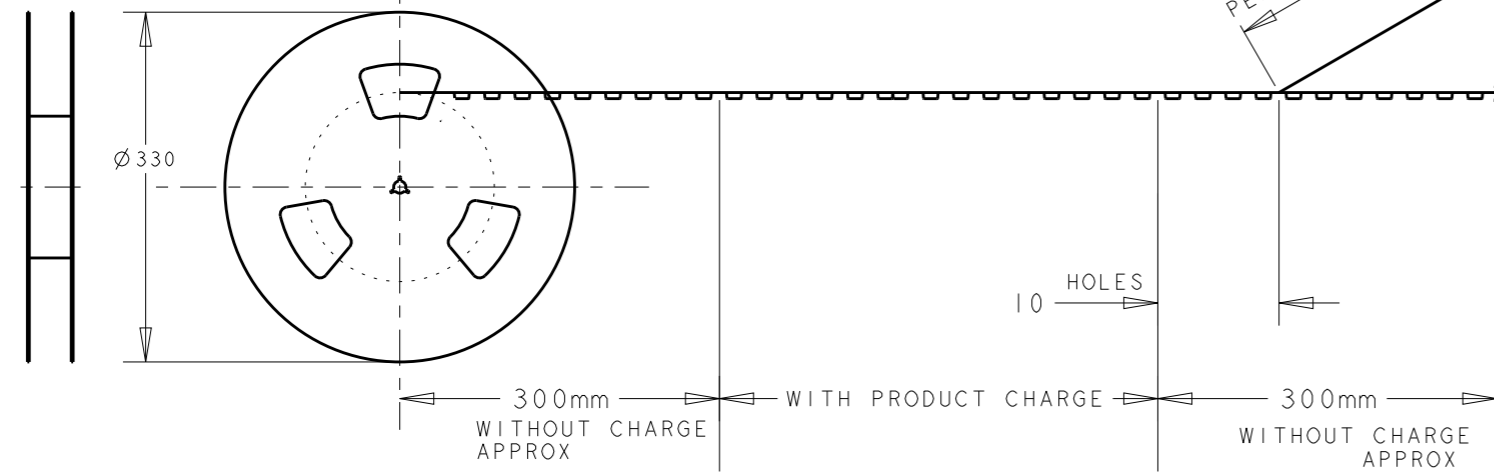
THIS DRAWING IS A CONTROLLED DOCUMENT.		DWN FLORENCE TAN 14SEP04	STE TE Connectivity	
DIMENSIONS: mm		CHK ERIC TNG		
TOLERANCES UNLESS OTHERWISE SPECIFIED:		APVD SEIFONG	NAME REC ASSY'Y 9H TYPE (0.5 BOSS L) FOR FH 0.8mm B-T-B CONN ON TAPING	
0 PLC ±0.3		PRODUCT SPEC	SIZE A3	
1 PLC ±0.25		APPLICATION SPEC	CAGE CODE 00779	
2 PLC ±0.2		WEIGHT	DRAWING NO 5179180	
3 PLC ±0.2		CUSTOMER DRAWING	RESTRICTED TO	
4 PLC ±0.2			SCALE 2:1	
ANGLES ±3°			SHEET 2 OF 4	
FINISH			REV D2	

THIS DRAWING IS UNPUBLISHED. RELEASED FOR PUBLICATION 20
 © COPYRIGHT 20 BY - ALL RIGHTS RESERVED.

REVISIONS				
P	LTR	DESCRIPTION	DATE	APVD
		SEE SHEET 1 OF 3		



WINDING THE COVER TAPE
 AROUND THE OUTER
 PERIPHERY IN A TURN.



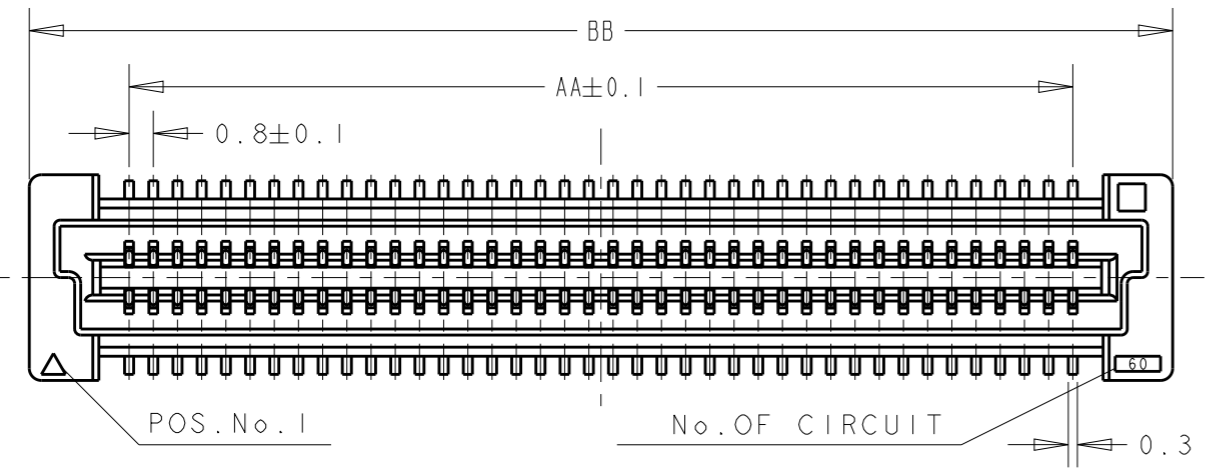
WITHOUT COVER

\triangle	400	16	53.8	72	68.4	34.2	120	4-5179180-5
REMARKS	QTY	E	D	C	B	A	POS	PART NO

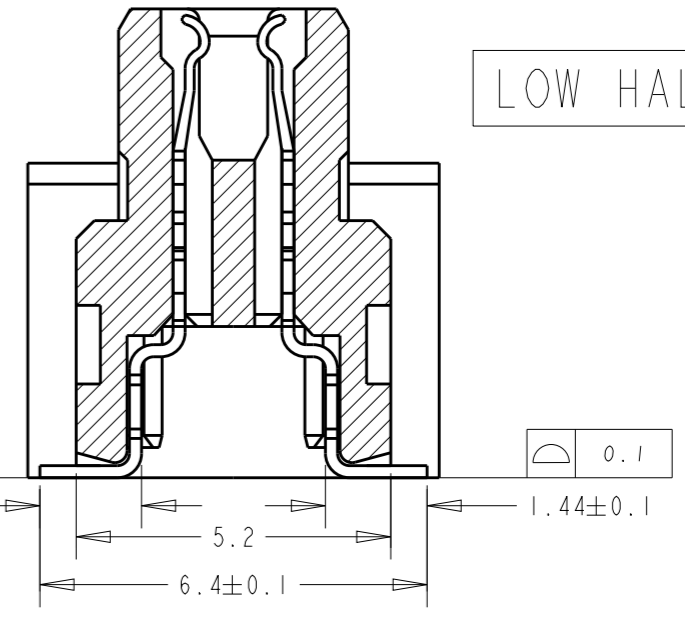
THIS DRAWING IS A CONTROLLED DOCUMENT.		DWN FLORENCE TAN 14SEP04	TE Connectivity	
DIMENSIONS: mm		CHK ERIC TNG		
TOLERANCES UNLESS OTHERWISE SPECIFIED:		APVD SEIFONG	NAME REC ASSY'Y 9H TYPE (0.5 BOSS L) FOR FH 0.8mm B-T-B CONN ON TAPING	
0 PLC \pm 0.3 1 PLC \pm 0.3 2 PLC \pm 0.25 3 PLC \pm 0.2 4 PLC \pm 0.2 ANGLES \pm 3°		PRODUCT SPEC -	RESTRICTED TO -	
MATERIAL -		FINISH -	APPLICATION SPEC -	SIZE A3
		WEIGHT -	CAGE CODE 00779	DRAWING NO C-5179180
CUSTOMER DRAWING			SCALE 2:1	SHEET 3 OF 4
			REV D2	

REVISIONS

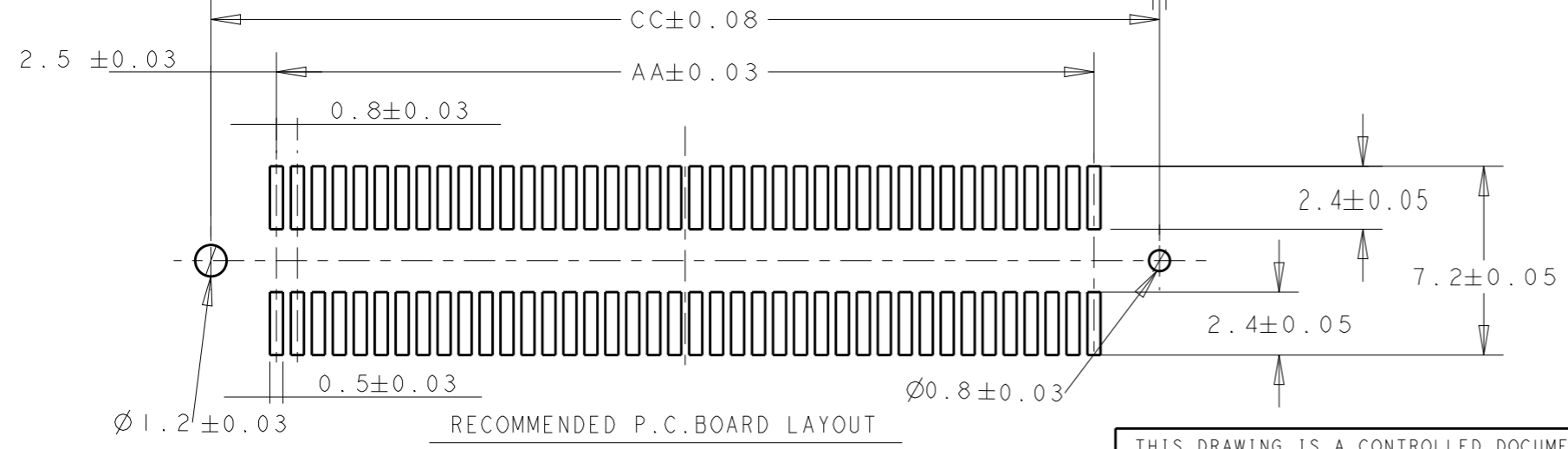
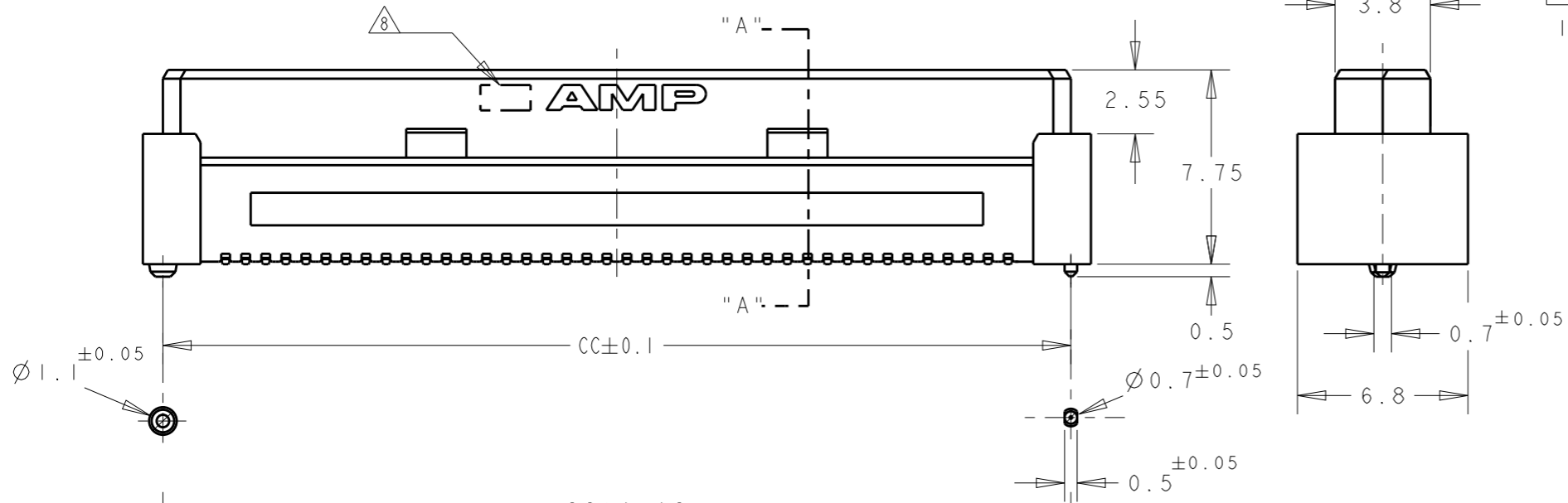
P	LTR	DESCRIPTION	DATE	DWN	APVD
		SEE SHEET 1 OF 3			



CONNECTOR ONLY



SECT "A" - "A" (SCALE: 8-1)



84.20	85.80	79.20	200
76.20	77.80	71.20	180
68.20	69.80	63.20	160
60.20	61.80	55.20	140
52.20	53.80	47.20	120
44.20	45.80	39.20	100
36.20	37.80	31.20	80
28.20	29.80	23.20	60
20.20	21.80	15.20	40
CC	BB	AA	POS.

NOTES:

- 5. MATERIAL: HOUSING: L.C.P. (HIGH TEMP. THERMOPLASTIC) UL 94V-0, NATURAL. CONTACT: BERYLIUM COPPER.
- 6. FINISH: CONTACT AREA: 0.000076 MIN GOLD ON 0.0013 MIN ALL OVER NICKEL. SOLDERING AREA: 0.002 MIN MATTE-TIN
- 7. CONN STACK HEIGHT COMBINE OF PLUG "Y" H VS REC "X" H. STACK HEIGHT = Y + X - 5
- 8. MANUFACTURE PLANT LOCATION MARK. QINGDAO:
- 9. CONNECTOR WITH BLACK HOUSING AND POLYIMIDE COVER

THIS DRAWING IS A CONTROLLED DOCUMENT.

DIMENSIONS:	TOLERANCES UNLESS OTHERWISE SPECIFIED:
mm	
	0 PLC ±
	1 PLC ±0.3
	2 PLC ±0.25
	3 PLC ±0.2
	4 PLC ±
	ANGLES ±3°
MATERIAL	FINISH

DWN	FLORENCE TAN
CHK	ERIC TNG
APVD	SEIFONG
PRODUCT SPEC	
APPLICATION SPEC	
WEIGHT	
CUSTOMER DRAWING	

STE TE Connectivity

NAME: REC ASSY'Y 9H TYPE (0.5 BOSS L) FOR FH 0.8mm B-T-B CONN ON TAPING

SIZE	CAGE CODE	DRAWING NO	RESTRICTED TO
A3	00779	C=5179180	-

SCALE: 2:1 SHEET 4 OF 4 REV D2

Looking for pricing, stock, or lifecycle information?

Click below to explore more details on WIN SOURCE:

 [View 5-5179180-4 on WIN SOURCE](#)

 [TE Connectivity](#) Information

Optimize Your Supply Chain with WIN SOURCE Solutions

-  Global Sourcing Solution
-  Obsolete Management
-  Cost Control Management
-  Shortage Management
-  Alternative Solution
-  Excess Inventory Management