

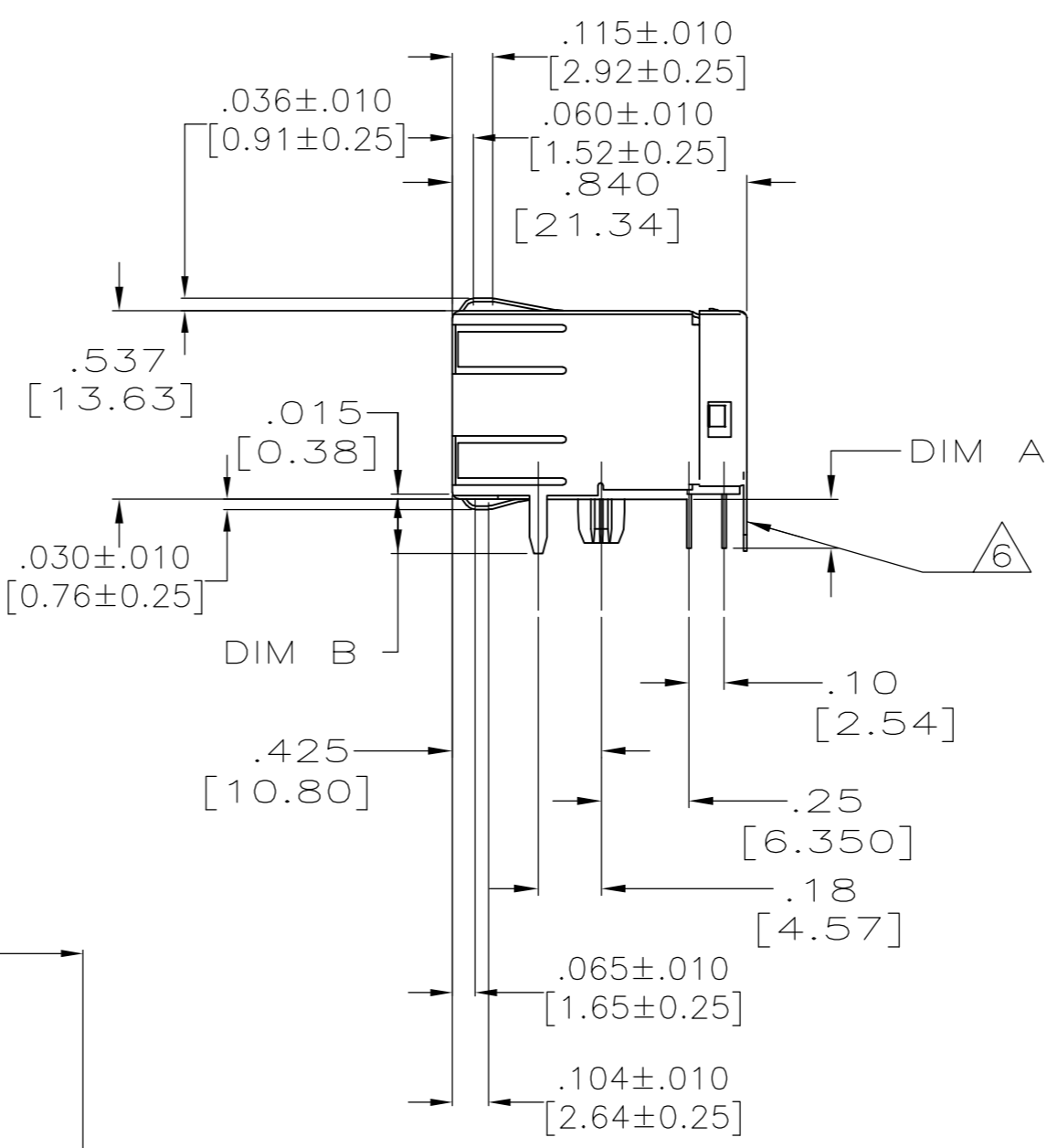
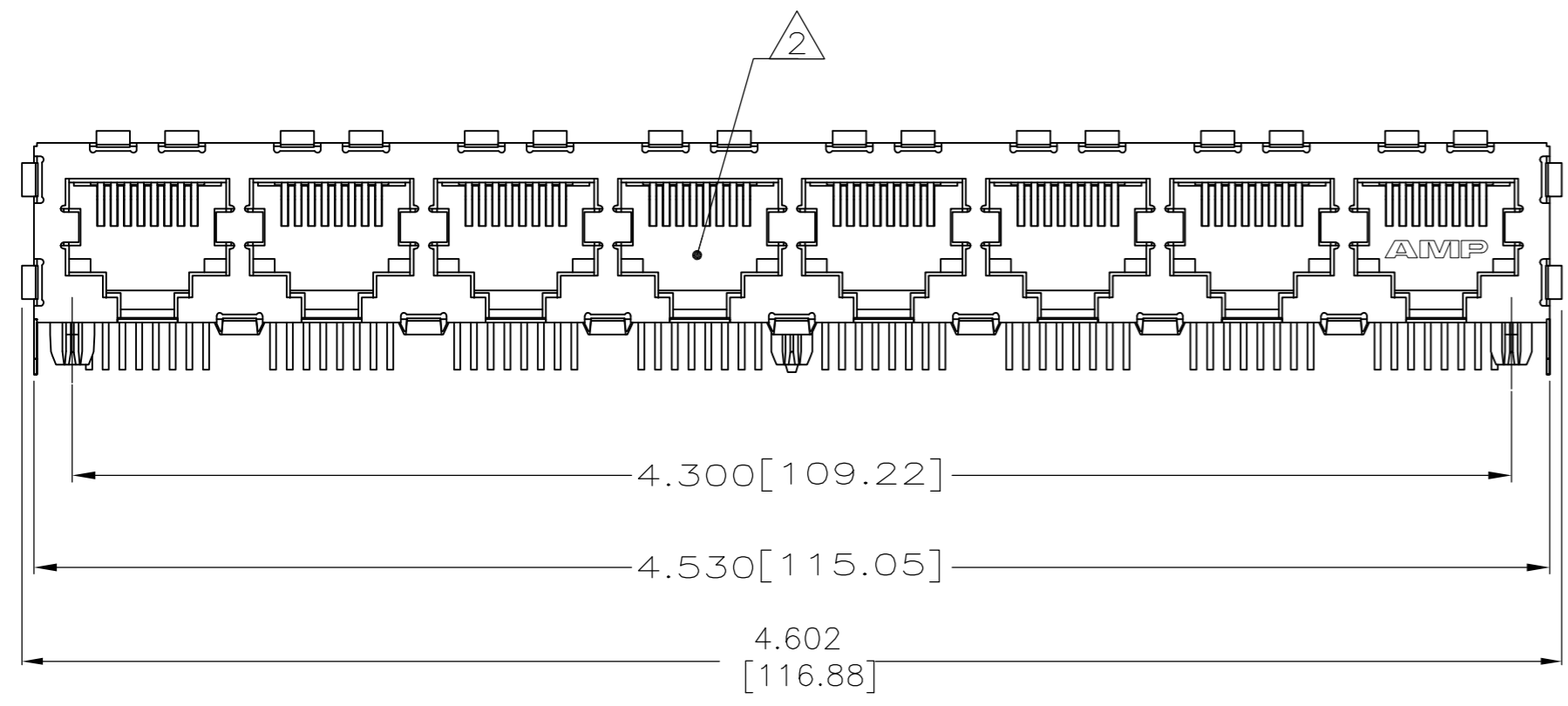


THE DATASHEET OF
5406491-1



THIS DRAWING IS UNPUBLISHED. RELEASED FOR PUBLICATION
 © COPYRIGHT BY TYCO ELECTRONICS CORPORATION. ALL RIGHTS RESERVED.

LOC	DIST	REVISIONS					
		P	LTR	DESCRIPTION	DATE	DWN	APVD
AA	00	F6		ECR-10-016042	03AUG2010	KS	M.W



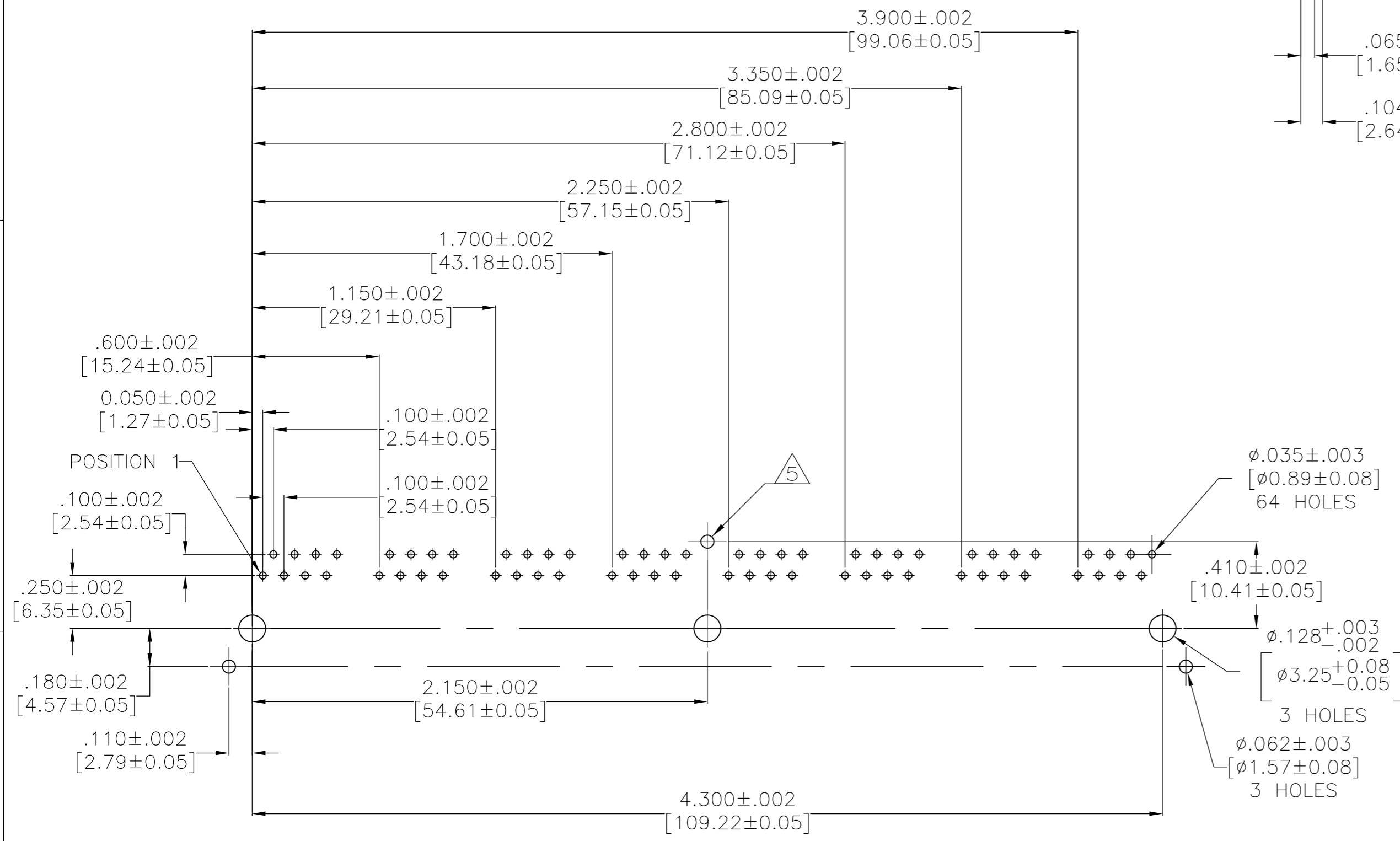
△ MATERIAL:
 HOUSING - NYLON, COLOR: BLACK, UL94V-0.
 OVERMOLDED TERMINAL ARRAY - HTN, BROWN.
 TERMINALS-.013 [0.33] THICK PHOS BRONZE
 PLATED WITH .000050 [1.27µm] THICK HARD
 GOLD IN LOCALIZED AREA AND .000150 [3.81 µm] MIN
 THICK MATTE TIN IN SOLDER AREA OVER .000050
 [1.27 µm] MIN THICK NICKEL UNDERPLATE
 SHIELDS - .010 [0.254] THICK COPPER ALLOY
 PLATED WITH 1.27 µm [0.00050] MINIMUM NICKEL
 AND 2.03 µm [0.00080] MINIMUM HOT TIN DIP ON
 PCB GROUND TABS.

- △ JACK CAVITY COMFORMS TO FCC RULES AND REGULATIONS, PART 68 SUBPART F.
- 3. ALL DIMENSIONS SHOWN ARE NOMINAL UNLESS OTHERWISE SPECIFIED.
- 4. ALL DIMENSIONS SHOWN IN BRACKETS [] ARE IN MILLIMETERS.

- △ THIS HOLE IS NEEDED FOR -1 AND -3 ONLY.
- △ THIS TAB REMOVED ON -2.
- △ THE PART IS PRELIMINARY

△ MATERIAL:
 HOUSING - NYLON, COLOR: BLACK, UL94V-0.
 OVERMOLDED TERMINAL ARRAY - PBT, BROWN.
 TERMINALS-.013 [0.33] THICK PHOS BRONZE
 PLATED WITH .000050 [1.27µm] THICK HARD
 GOLD IN LOCALIZED AREA AND .000150 [3.81 µm] MIN
 THICK MATTE TIN IN SOLDER AREA OVER .000050
 [1.27 µm] MIN THICK NICKEL UNDERPLATE
 SHIELDS - .010 [0.254] THICK COPPER ALLOY
 PLATED WITH 1.27 µm [0.00050] MINIMUM NICKEL
 AND 2.03 µm [0.00080] MINIMUM HOT TIN DIP ON
 PCB GROUND TABS.

△ OBSOLETE PARTS: OBSOLETE CIS STREAMLINING PER D.RENAUD/D.SINISI



FOR P/N:5406491-1&-2
 SUGGESTED PC BOARD LAYOUT
 COMPONENT SIDE
 SEE APPLICATION SPECIFICATION

REV	DESCRIPTION	PART NO.
1	WITH REAR PC BOARD GROUND TAB	5406491-5
2	WITH REAR PC BOARD GROUND TAB	5406491-4
3	WITHOUT REAR PC BOARD GROUND TAB	5406491-2
4	WITH REAR PC BOARD GROUND TAB	5406491-1

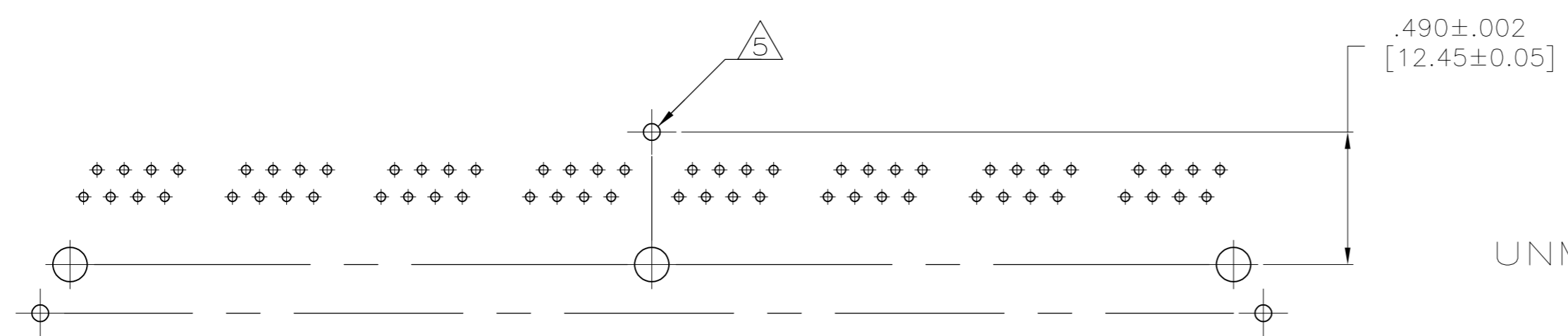
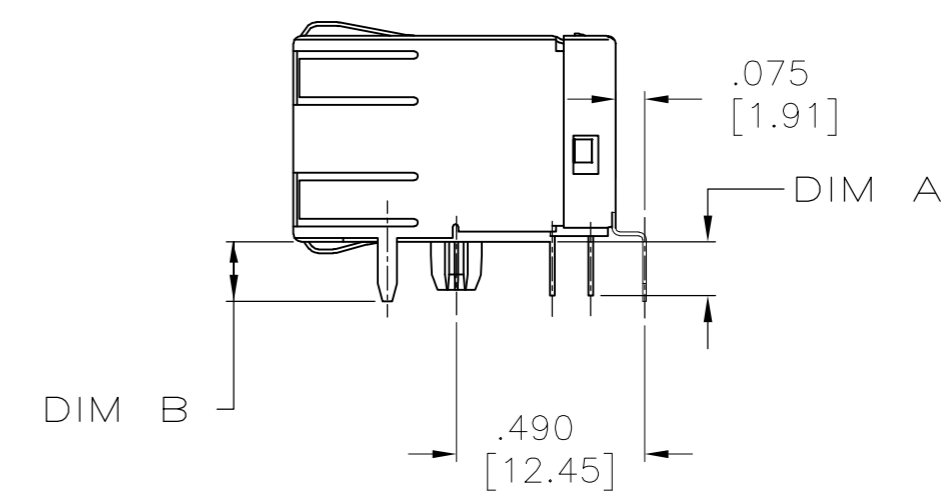
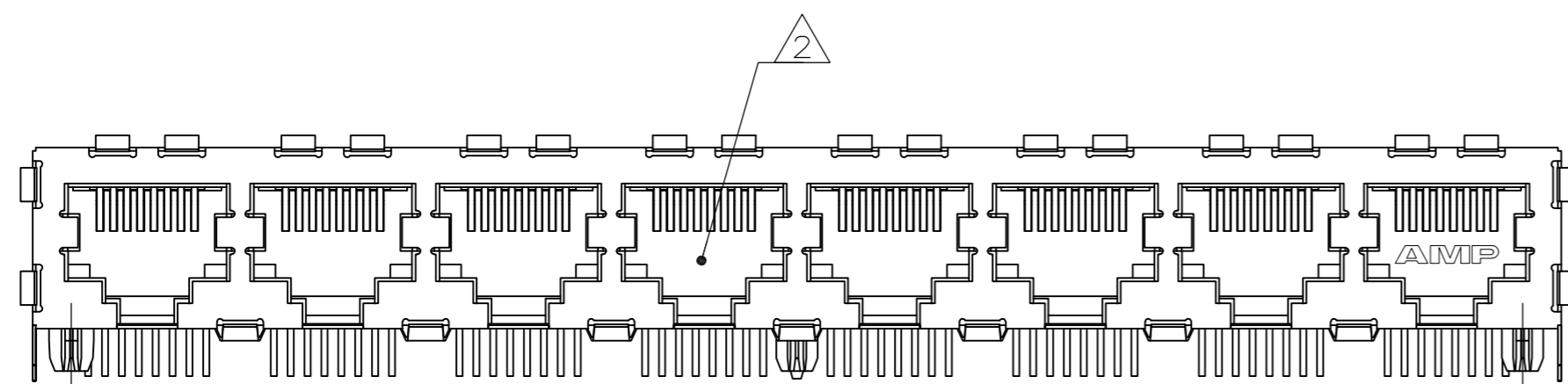
MATERIAL	DIM B (INCHES)	DIM A (INCHES)	DESCRIPTION	PART NO.
THIS DRAWING IS A CONTROLLED DOCUMENT.				
DIMENSIONS: INCHES	TOLERANCES UNLESS OTHERWISE SPECIFIED:		DWN Francis Lee 14APRIL2009	
0 PLC ± -	1 PLC ± -		CHK Denny Zhu 14APRIL2009	
1 PLC ± -	2 PLC ± .01[0.254]		APVD Steven Yao 14APRIL2009	
2 PLC ± -	3 PLC ± .005[0.127]		NAME Tyco Electronics	
3 PLC ± -	4 PLC ± -		Tyco Electronics Corporation	
4 PLC ± -	ANGLES ± -		Harrisburg, Pa 17105-3608	
FINISH	FINISH		PRODUCT SPEC 108-1163-2	
SEE NOTE 1	SEE NOTE 1		APPLICATION SPEC 114-2048	
			SIZE CAGE CODE DRAWING NO RESTRICTED TO	
			A2 00779 C=5406491	
			WEIGHT -	
			CUSTOMER DRAWING SCALE 2:1 SHEET 1 OF 2 REV F6	

5406491

A

THIS DRAWING IS UNPUBLISHED. RELEASED FOR PUBLICATION
 © COPYRIGHT BY TYCO ELECTRONICS CORPORATION. ALL RIGHTS RESERVED.

LOC	DIST	REVISIONS			
P	LTR	DESCRIPTION	DATE	DWN	APVD
AA	00	SEE SHEET 1	-	-	-



FOR P/N:5406491-4;-5
 SUGGESTED PC BOARD LAYOUT
 COMPONENT SIDE
 SEE APPLICATION SPECIFICATION

UNMARKED DIMENSIONS SAME AS P/N:5406491-1

THIS DRAWING IS A CONTROLLED DOCUMENT.		DWN Francis Lee 14APRIL2009	Tyco Electronics Corporation Harrisburg, Pa 17105-3608	
DIMENSIONS: INCHES		CHK Denny Zhu 14APRIL2009	NAME	
TOLERANCES UNLESS OTHERWISE SPECIFIED:		APVD Steven Yao 14APRIL2009	MODULAR JACK ASSEMBLY, PANEL GROUND, 8 PORT, 8 POSITION, RIGHT ANGLE, SHIELDED, CATEGORY 5	
0 PLC ± - 1 PLC ± - 2 PLC ± .01[0.254] 3 PLC ± .005[0.127] 4 PLC ± - ANGLES ± -		PRODUCT SPEC 108-1163-2	SIZE A2	RESTRICTED TO -
MATERIAL SEE NOTE 1		APPLICATION SPEC 114-2048	CAGE CODE 00779	DRAWING NO C=5406491
FINISH SEE NOTE 1		WEIGHT -	SCALE 2:1	SHEET 2 OF 2 REV F6
		CUSTOMER DRAWING		

5406491

Looking for pricing, stock, or lifecycle information?

Click below to explore more details on WIN SOURCE:

 [View 5406491-1 on WIN SOURCE](#)

 [TE Connectivity](#) Information

Optimize Your Supply Chain with WIN SOURCE Solutions

-  Global Sourcing Solution
-  Obsolete Management
-  Cost Control Management
-  Shortage Management
-  Alternative Solution
-  Excess Inventory Management