

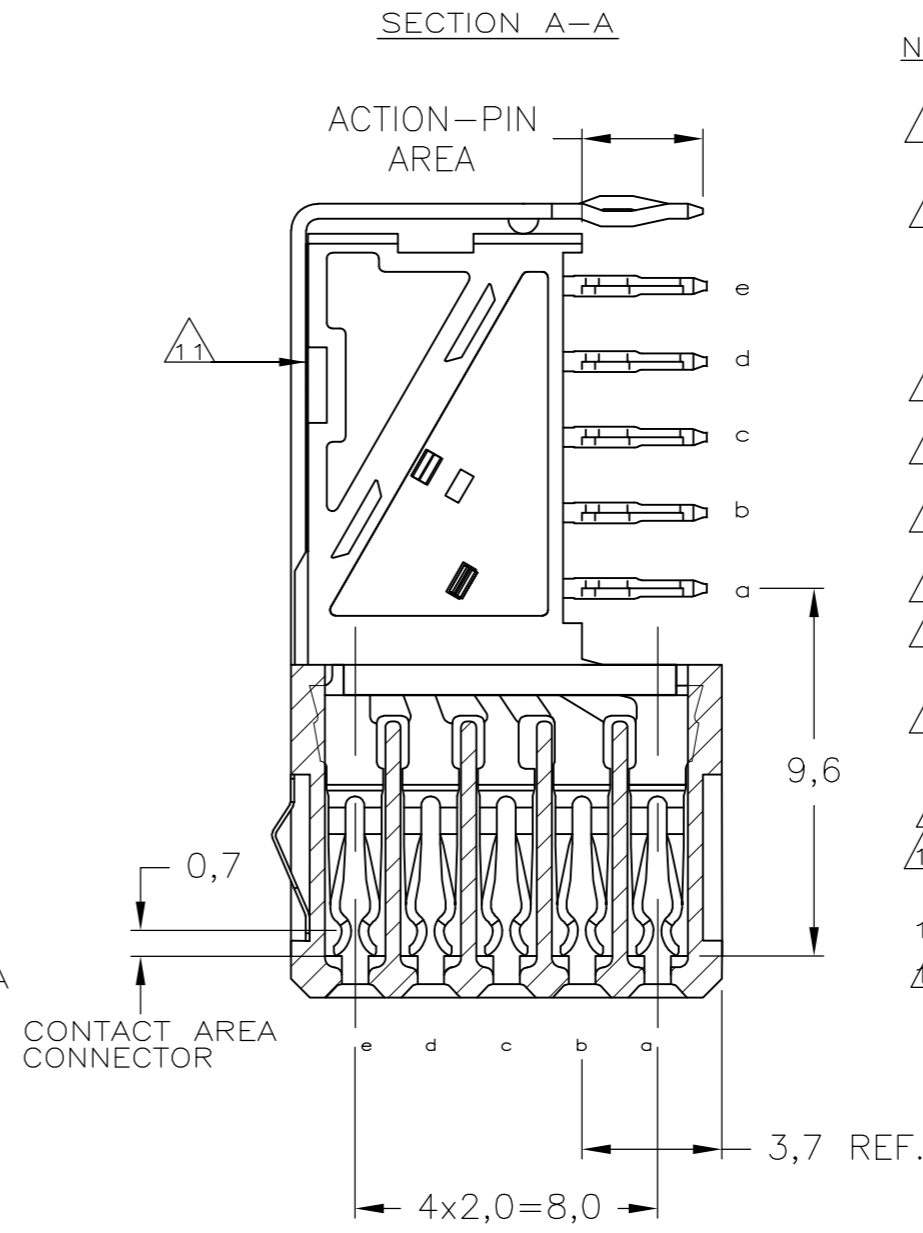
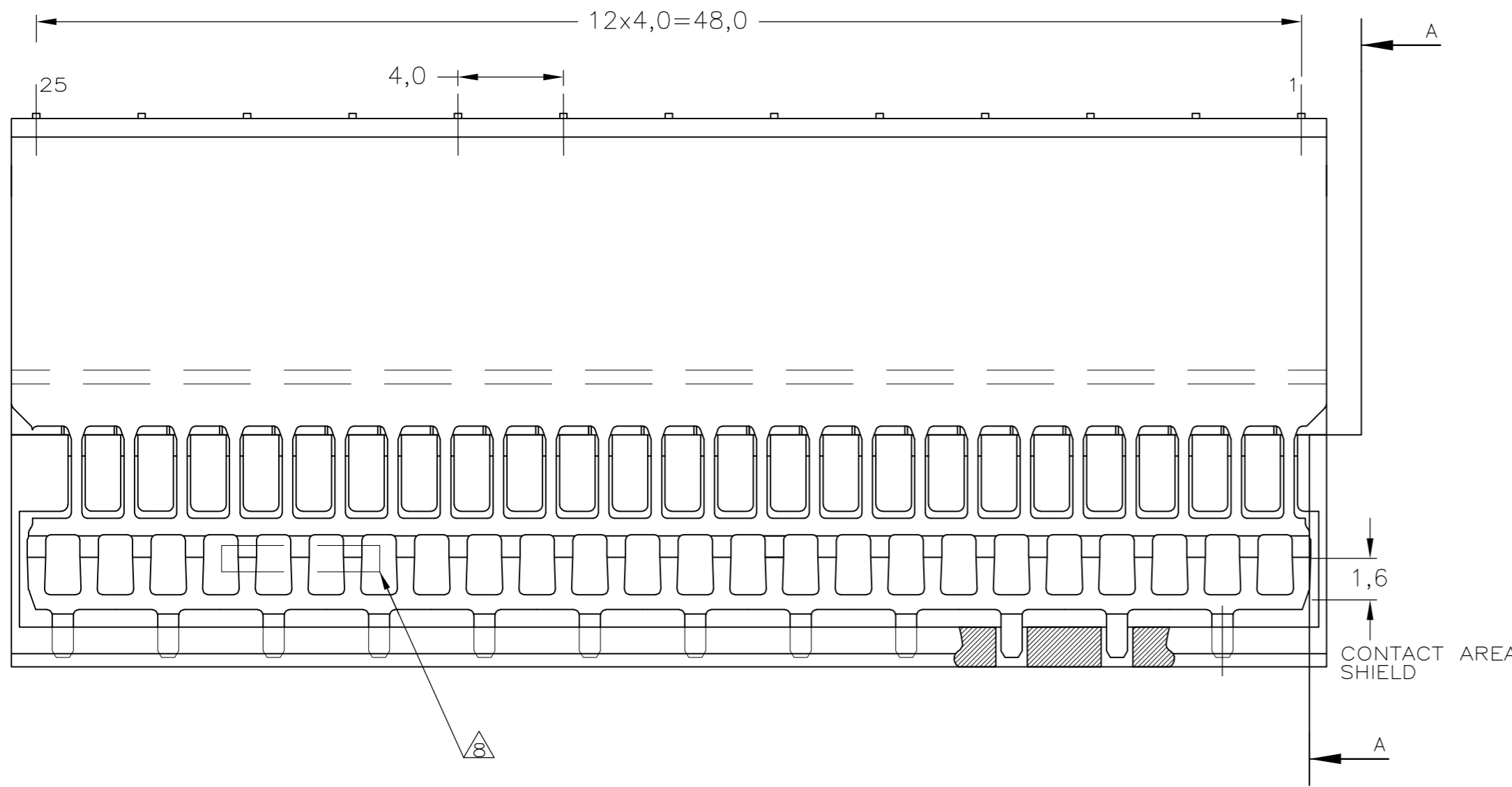


**THE DATASHEET OF**  
**5352069-1**

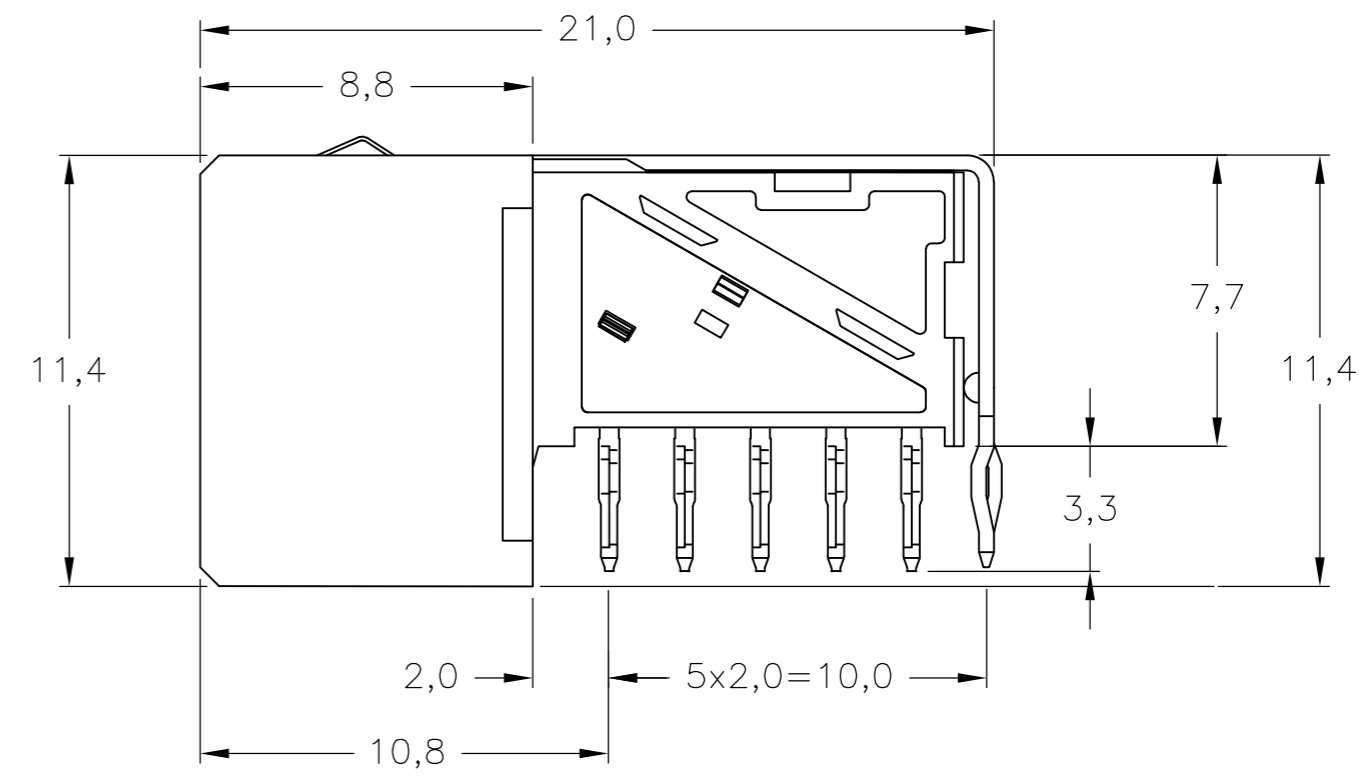
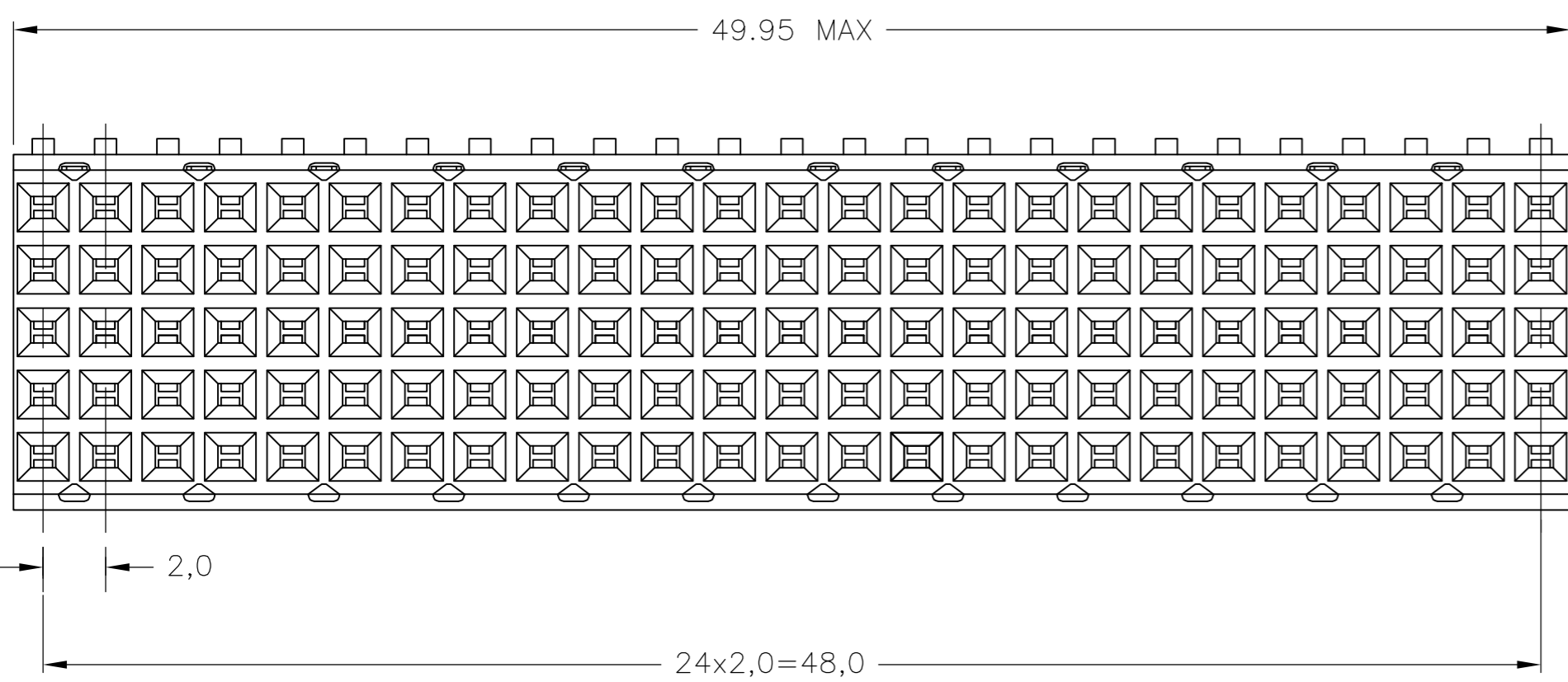


THIS DRAWING IS UNPUBLISHED. RELEASED FOR PUBLICATION  
 © COPYRIGHT - By - ALL RIGHTS RESERVED.

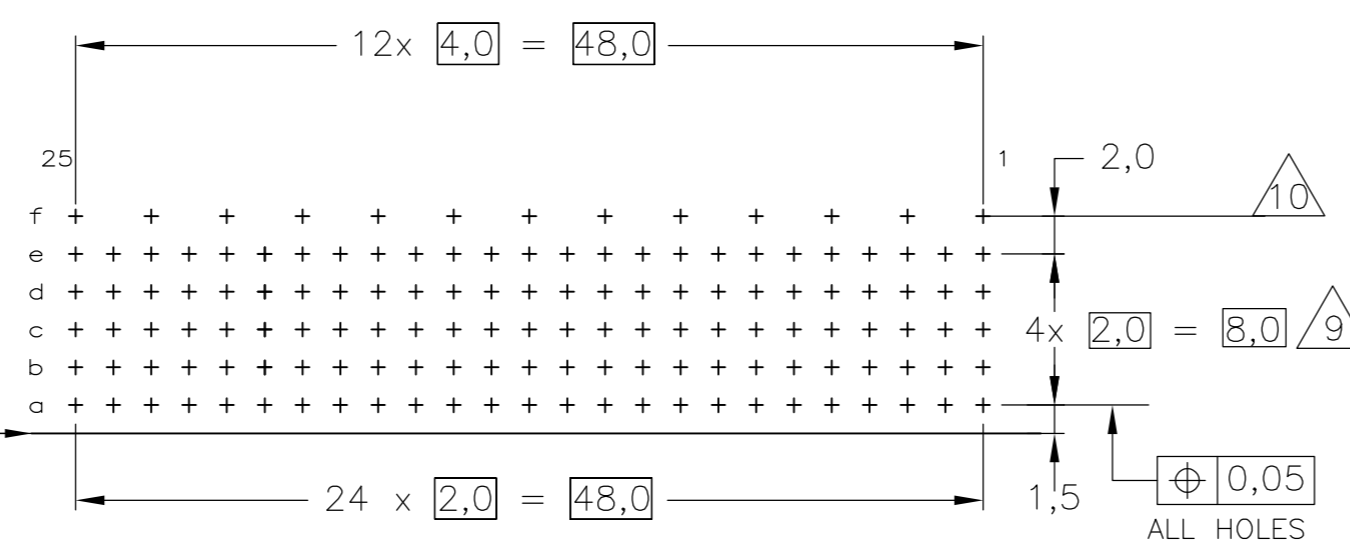
REVISIONS					
P	LTR	DESCRIPTION	DATE	DWN	APVD
G		ECR-16-013297	24JUL2017	FL	SY



- NOTES:
- 1 MATERIAL CONTACTS; PHOSPHORBRONZE  
MATERIAL HOUSING; GLASSFILLED POLYESTER (GRAY)
  - 2 GENERAL PLATING SPECIFICATION: UNDERPLATING (ENTIRE CONTACT): 1,27µm NICKEL MIN. AND ACTION PIN: 0,5µm TIN MIN. FOR PLATING OF MATING SURFACES SEE APPLICABLE SPECIFICATION REFERENCE FOR EACH DASH NUMBER.
  - 3 CONFORMS TO ALL TESTING ACCORDING IEC 61076-4-101 PERFORMANCE LEVEL 2.
  - 4 CONFORMS TO ALL TESTING ACCORDING IEC 61076-4-101 PERFORMANCE LEVEL 1.
  - 5 CONNECTOR TESTED AND QUALIFIED AGAINST TELCORDIA GR-1217-CORE QUALITY LEVEL III, CENTRAL OFFICE APPLICATIONS.
  - 6 CONNECTOR LUBRICATED WITH TELCORDIA APPROVED LUBRICANT.
  - 8 ASSEMBLY PRINTED WITH P/N AND DATECODE THE MARKING CAN APPEAR ON THE FRONT SIDE OR BACK SIDE.
  - 9 HOLE PATTERN FOR FEMALE CONNECTOR TYPE B  
125 PLATED-THROUGH HOLES AT 2x2mm SQUARE GRID
  - 10 ROW "f" 13 PLATED THROUGH HOLES FOR UPSHIELD
  - 11 SHIELD MOUNTED ON CONNECTOR WITH DOUBLE SIDED ADHESIVE TAPE OR ADHESIVE
  - 12 BASIC P.N. LOWERSHIELD: 5338110
  - 13 0.76µm MIN GOLD PLATING AT MATING SURFACE.



COMPONENT SIDE AS SHOWN  
 RECOMMENDED PCB-HOLE LAY-OUT  
 SCALE 2,5:1



P.C.B. HOLE DIM. ACTION PIN  
 FOR DETAILS SEE  
 APPLICATION SPECIFICATION

EDGE OF P.C.BOARD

OBSOLETE	△△△△	△	3-5352069-0
	△△△△	△	5352069-9
	△△△△	△	5352069-4
	△△△△	△	5352069-1
	FINISH	MATERIAL	PARTNUMBER

THIS DRAWING IS A CONTROLLED DOCUMENT.

DWN	K.N.KIRAN	17AUG2004
CHK	B.MOOIJ	24SEP2004
APVD	B.MOOIJ	24SEP2004
PRODUCT SPEC	108-19082	
APPLICATION SPEC	114-19029	
WEIGHT	0.000000	
CUSTOMER DRAWING		

TE Connectivity

Z-PACK 2mm HM  
 TYPE B - 25 COLUMNS  
 PRE-SHIELDED RECEPTACLE

SIZE	A2	CAGE CODE	00779	DRAWING NO	C=5352069	RESTRICTED TO	-
SCALE	5:1	SHEET	1 of 1	REV	G		

## Looking for pricing, stock, or lifecycle information?

Click below to explore more details on WIN SOURCE:

 [View 5352069-1](#) on WIN SOURCE

 [TE Connectivity](#) Information

## Optimize Your Supply Chain with WIN SOURCE Solutions

-  Global Sourcing Solution
-  Obsolete Management
-  Cost Control Management
-  Shortage Management
-  Alternative Solution
-  Excess Inventory Management