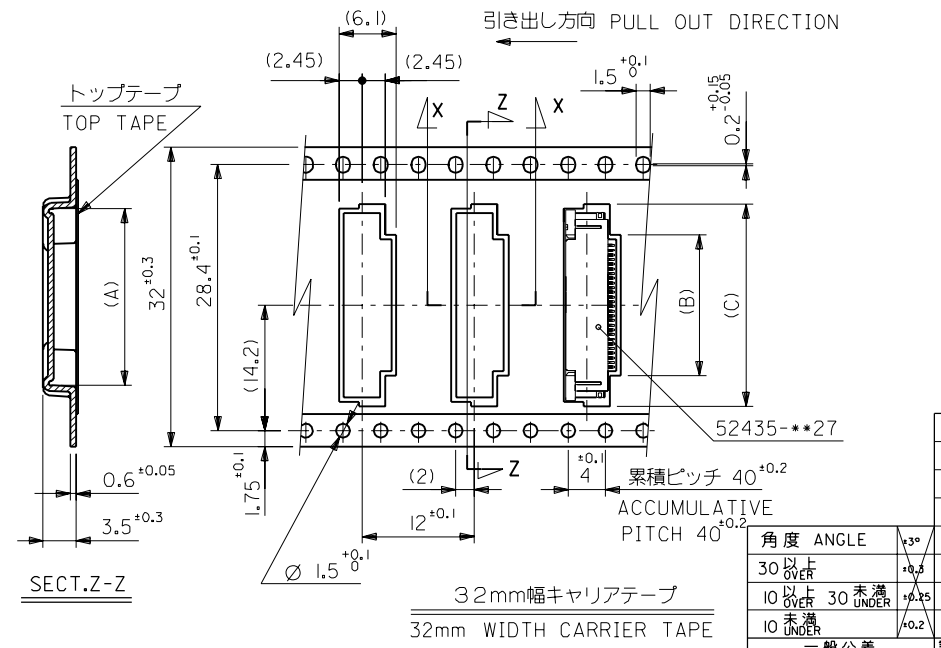
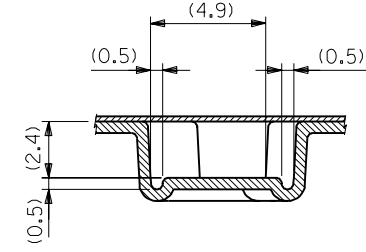
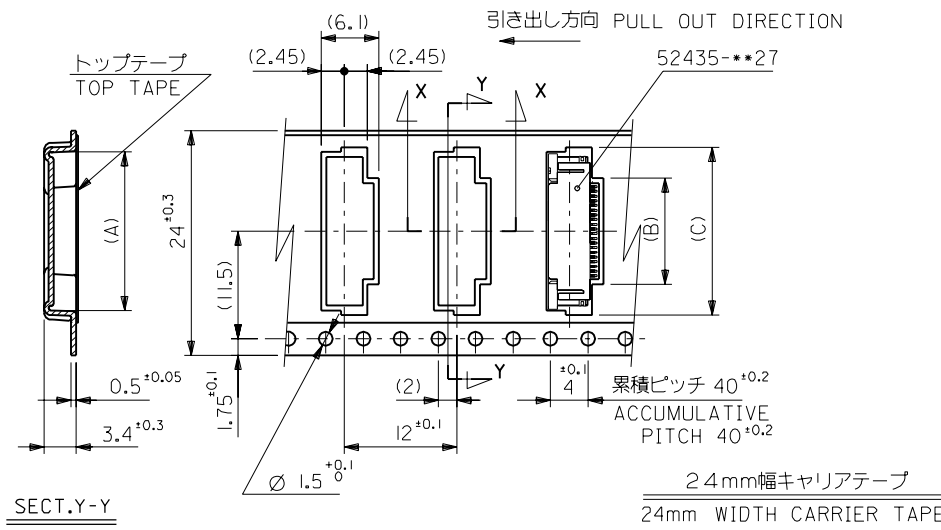




**THE DATASHEET OF**  
**52435-2591**







32	33.5	22.4	15.8	21.4	52435-2991	29
		21.9	15.3	20.9	-2891	28
		21.4	14.8	20.4	-2791	27
		20.9	14.3	19.9	-2691	26
		20.4	13.8	19.4	-2591	25
		19.9	13.3	18.9	-2491	24
		19.4	12.8	18.4	-2391	23
		18.9	12.3	17.9	-2291	22
		17.9	11.3	16.9	-2091	20
		17.4	10.8	16.4	-1991	19
24	25.5	16.9	10.3	15.9	-1891	18
		16.4	9.8	15.4	-1791	17
		15.9	9.3	14.9	-1691	16
		15.4	8.8	14.4	-1591	15
		14.9	8.3	13.9	-1491	14
		14.4	7.8	13.4	-1391	13
		13.9	7.3	12.9	-1291	12
		13.4	6.8	12.4	-1191	11
		12.9	6.3	11.9	-1091	10
		12.4	5.8	11.4	-0991	9
11.9	5.3	10.9	-0891	8		
11.4	4.8	10.4	-0791	7		
10.9	4.3	9.9	52435-0691	6		
キャリアテープ幅 CARRIER TAPE WIDTH		D	(C)	(B)	(A)	ENG. NO.
						極致 CIRCUIT

F	変更 REVISED	電 ELECTRICAL	(JC2001-0458)	S.K.	00/12/15
E	変更 REVISED	電 ELECTRICAL	(J41005)	T.A.	94/12/13
D	変更 REVISED	電 ELECTRICAL	(J40900)	T.A.	94/11/11
C	変更 REVISED	電 ELECTRICAL	(J30060)	S.K.	93/1/25
B	変更 REVISED	電 ELECTRICAL	(J20834)	S.K.	92/9/14
A	変更 REVISED	電 ELECTRICAL	(J20554)	S.K.	92/7/16
O	新規作成 PROPOSED	電 ELECTRICAL	(J10236)	S.K.	91/3/29
角度 ANGLE					
30°以上 OVER					+3°
10°以上 30°未満 OVER UNDER					+0.5
10°未満 UNDER					+0.25
一般公差 GENERAL TOLERANCES					+0.2
記号 LTR	変更内容 REVISION RECORD	DR. CHK.	日付 DATE		

材料 MATERIAL SHEET 1 OF 3 参照  
REFER TO SHEET 1 OF 3

仕上げ FINISH ---

適用電線範囲 WIRE RANGE ---

被覆外径 INS. RANGE ---

DRAWN BY 91/3/29 S.KAJINUMA  
CHK'D BY 00/12/20 S.KUNISHI

APP'D BY 00/12/20 M.FUKUSHIMA  
SCALE ---

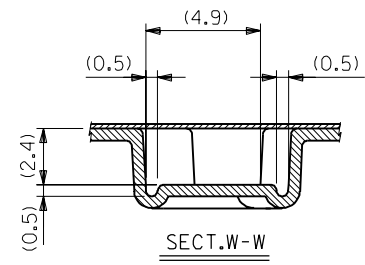
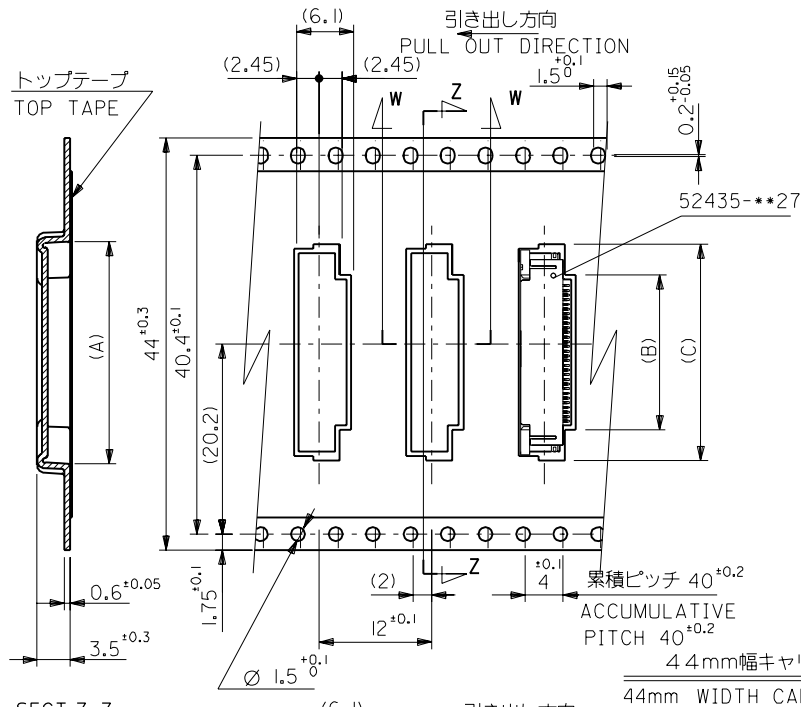
**molex** MOLEX-JAPAN CO.,LTD.  
日本モレックス株式会社

REVISE ONLY ON CAD SYSTEM

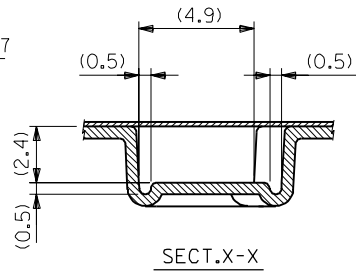
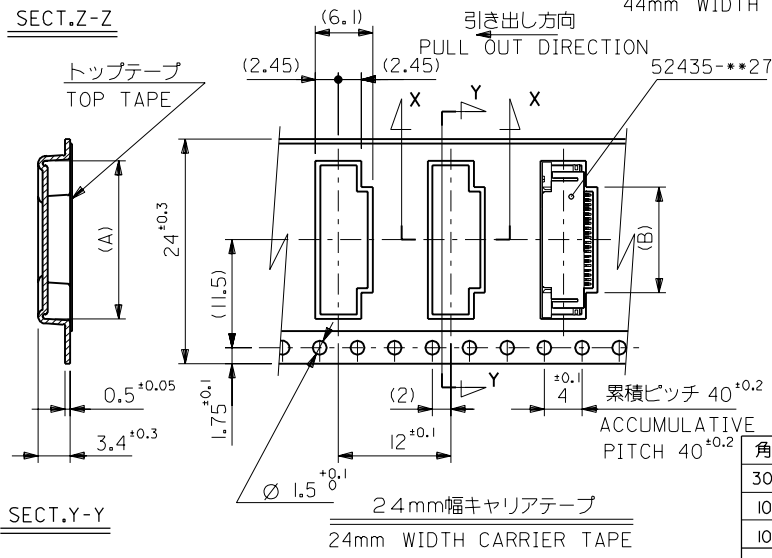
TITLE 名称  
0.5 FPC Conn ZIF  
SMT R/A  
With Tape Embstp Pkg

DWG. NO. (SHEET 2 OF 3) REV  
SD-52435-\*\*-91 F

DWG. NO.  
SD-52435-\*\*\*91



44	45.5	22.9	16.3	21.9	52435-3091	30
キャリアテープ幅 CARRIER TAPE WIDTH	D	(C)	(B)	(A)	ENG. NO.	極数 CIRCUIT



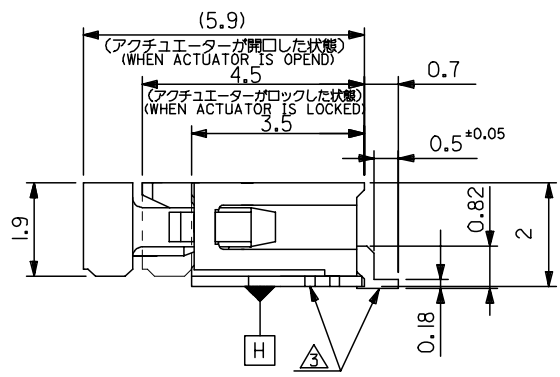
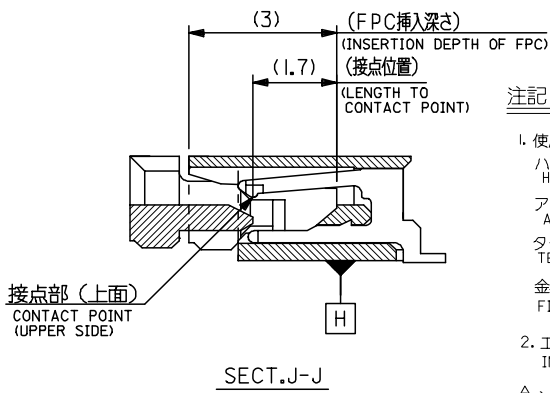
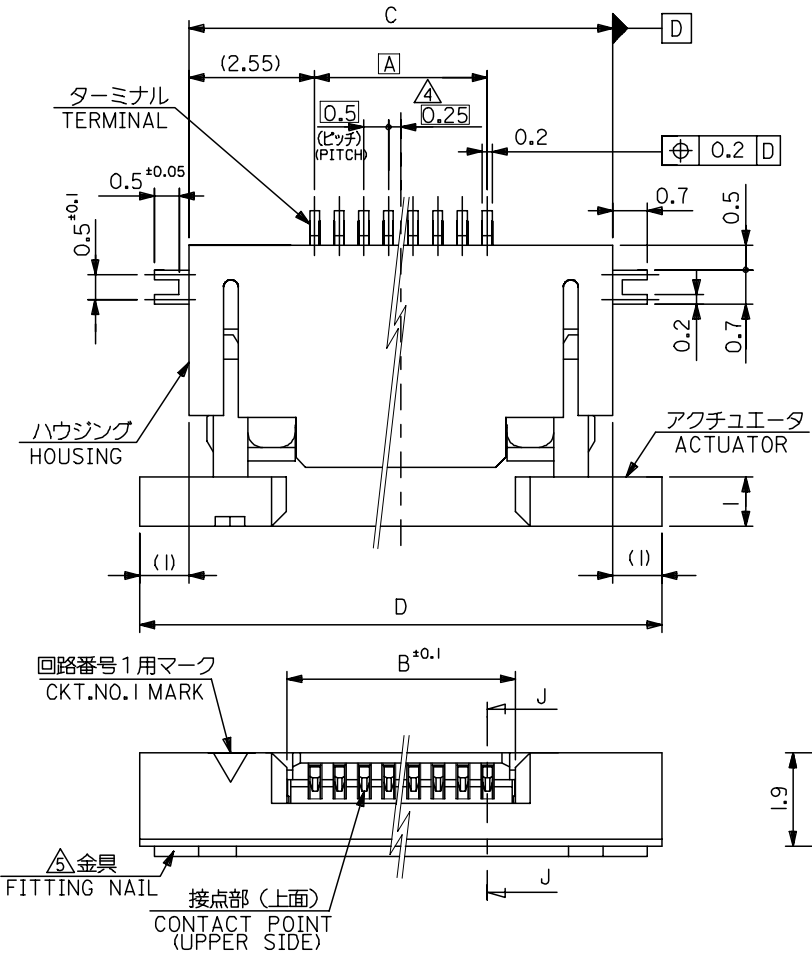
24	25.5	11.8	17.4	52435-2191	21
キャリアテープ幅 CARRIER TAPE WIDTH	D	(B)	(A)	ENG. NO.	極数 CIRCUIT

材料 SHEET 1 OF 3 参照 REFER TO SHEET 1 OF 3		DATE	
F 変更 (J2001-0458)	100/12/15	DR.	DATE
E 変更 (J41005)	94/12/13	CHK.	DATE
D 変更 (J40900)	94/11/11	DR.	DATE
C 変更 (J30060)	93/1/25	CHK.	DATE
B 変更 (J20834)	92/9/14	DR.	DATE
A 変更 (J20554)	92/7/16	CHK.	DATE
角度 ANGLE	±3°	DR.	DATE
30以上 OVER	±0.5	CHK.	DATE
10以上 30未満 UNDER	±0.25	DR.	DATE
10未満 UNDER	±0.2	CHK.	DATE
一般公差 GENERAL TOLERANCES	記号 LTR	変更内容 REVISION RECORD	尺度 SCALE

MOLLEX MOLEX-JAPAN CO.,LTD. 日本モレックス株式会社	
REVISE ONLY ON CAD SYSTEM	
TITLE 名称 0.5 FPC Conn ZIF SMT R/A With Tape Embstp Pkg	
DWG. NO. (SHEET 3 OF 3) REV SD-52435-***91 F	

DIMENSIONS IN METRIC DO NOT SCALE DRAWING

THIS DRAWING CONTAINS INFORMATION THAT IS PROPRIETARY TO MOLEX(JAPAN) AND SHOULD NOT BE USED WITHOUT WRITTEN PERMISSION  
本図面は日本モレックス(株)の所有する情報を含むもので 当社の許可なく複製を禁止する。 EN-01(C032)MXJ-32

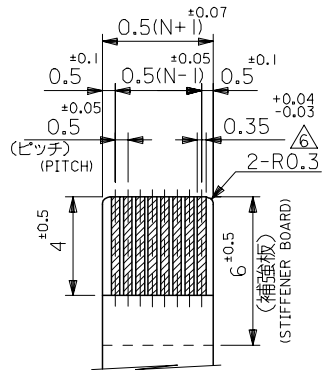


注記 NOTES

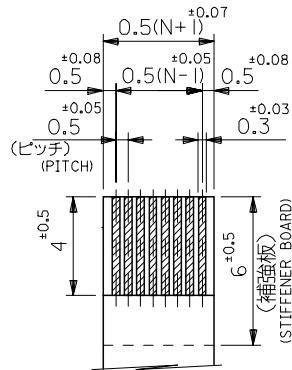
- 使用材料 : MATERIAL  
 ハウジング : 46ナイロン, UL94V-0  
 46NYLON  
 アクチュエータ : PPS, UL94V-0  
 ACTUATOR  
 ターミナル : リン青銅, 半田メッキ (t=0.2)  
 TERMINAL PHOS-BRO.TIN-LEAD  
 金具 : リン青銅, 半田メッキ (t=0.2)  
 FITTING NAIL PHOS-BRO.TIN-LEAD
- エンボステープ梱包時は、アクチュエータがロックした状態とする。  
 IN THE PACKAGE, ACTUATOR OF PART NO.52435-\*\*-27 SHOULD BE LOCKED.
- △ ソルダータール半田付け面のズレ量、及び金具半田付け面のズレ量は、基準面 H に対し上方向 0.1 MAX.、下方向 0.15MAX.とする。  
 MISALIGNMENT OF SOLDER TAILS AND FITTING NAILS FROM H  
 UPPER DIRECTION: 0.1 MAX., LOWER DIRECTION: 0.15MAX.
- △ 偶数極に適用。  
 APPLY FOR EVEN CIRCUIT.
- △ パターンはくり止め用金具。  
 FITTING NAIL FOR PREVENTION OF PEELING OF P.C.B. PATTERN.
- △ R.O. 3は、FPCの導体部にかからないこと。  
 R.O.3 MUST NOT BE OVERLAPPED TO PATTERN OF FPC.
- ソルダータールの平坦度は、0.1 MAXIMUMとする。  
 SOLDER TAIL COPLANARITY IS 0.1 MAXIMUM.

MODEL NO. 52435-\*\*-27

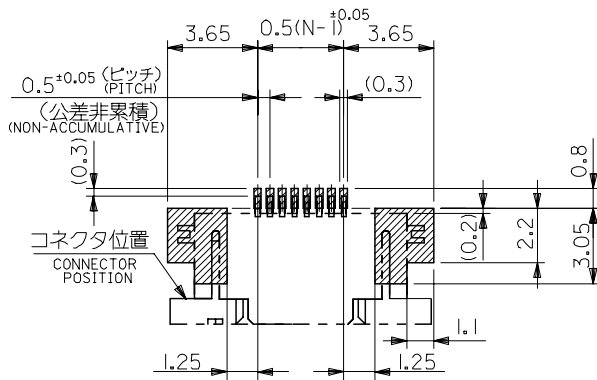
REVISED EC NO.: J2005-3592 DRAWN: SUZUKI 2005/06/13 CHKD: KTOYODA 2005/06/13 APPR: NUKITA 2005/06/13 REV DESCRIPTION	GENERAL TOLERANCES (UNLESS SPECIFIED)		DIMENSION STYLE MM ONLY		SCALE ---	DESIGN UNITS METRIC	THIRD ANGLE PROJECTION
	10 UNDER	±0.2	DRAWN BY SKAJINUMA	DATE 9/1/03/31	TITLE 0.5 FPC CONN ZIF FOR SMT R/A (UPPER CONTAT)		
	10 OVER 30 UNDER	±0.25	CHECKED BY MFUKUSHIMA	DATE 9/7/07/15	APPROVED BY MFUKUSHIMA		
	30 OVER	±0.3	APPROVED BY MFUKUSHIMA	DATE 9/7/07/15	MATERIAL NO. SEE CHART		
	ANGULAR	±3 °	DRAFT WHERE APPLICABLE MUST REMAIN WITHIN DIMENSIONS		DOCUMENT NO. SD-52435-018		SHEET NO. 1 OF 2



適合FPC推奨寸法  
 APPLICABLE FPC  
 RECOMMENDED DIMENSION.  
 (仕上がり厚さ: 0.3 ± 0.05)  
 (THICKNESS: 0.3 ± 0.05)



適合FFC推奨寸法  
 APPLICABLE FFC  
 RECOMMENDED DIMENSION.  
 (仕上がり厚さ: 0.3 ± 0.05)  
 (THICKNESS: 0.3 ± 0.05)



参考基板レイアウト  
 (マウント面)  
 RECOMMENDED P.C. BOARD  
 PATTERN DIMENSION (REF.)  
 (MOUNTING SIDE)

21.6	19.6	15.65	14.5	52435-3027	30
21.1	19.1	15.15	14.0	-2927	29
20.6	18.6	14.65	13.5	-2827	28
20.1	18.1	14.15	13.0	-2727	27
19.6	17.6	13.65	12.5	-2627	26
19.1	17.1	13.15	12.0	-2527	25
18.6	16.6	12.65	11.5	-2427	24
18.1	16.1	12.15	11.0	-2327	23
17.6	15.6	11.65	10.5	-2227	22
17.1	15.1	11.15	10.0	-2127	21
16.6	14.6	10.65	9.5	-2027	20
16.1	14.1	10.15	9.0	-1927	19
15.6	13.6	9.65	8.5	-1827	18
15.1	13.1	9.15	8.0	-1727	17
14.6	12.6	8.65	7.5	-1627	16
14.1	12.1	8.15	7.0	-1527	15
13.6	11.6	7.65	6.5	-1427	14
13.1	11.1	7.15	6.0	-1327	13
12.6	10.6	6.65	5.5	-1227	12
12.1	10.1	6.15	5.0	-1127	11
11.6	9.6	5.65	4.5	-1027	10
11.1	9.1	5.15	4.0	-0927	9
10.6	8.6	4.65	3.5	-0827	8
10.1	8.1	4.15	3.0	-0727	7
9.6	7.6	3.65	2.5	52435-0627	6

MODEL NO. 52435-\*\*\*27 D C B (A) MATERIAL NO. 極数

REVISED EC NO: J2005-3592 DRAWN: SUZUKI 2005/06/13 CHYKD: TOYODA 2005/06/13 APPR: NUKITA 2005/06/13	GENERAL TOLERANCES (UNLESS SPECIFIED)		DIMENSION STYLE MM ONLY		SCALE ---	DESIGN UNITS METRIC	THIRD ANGLE PROJECTION
	10 UNDER	±0.2	DRAWN BY SKAJINUMA	DATE 91/10/31	TITLE 0.5 FPC CONN ZIF FOR SMT R/A (UPPER CONTAT)		
	10 OVER 30 UNDER	±0.25	CHECKED BY MFUKUSHIMA	DATE 97/07/15			
	30 OVER	±0.3	APPROVED BY MFUKUSHIMA	DATE 97/07/15	MOLEX INCORPORATED DOCUMENT NO. SD-52435-018 SHEET NO. 2 OF 2		
	ANGULAR	±3 °	MATERIAL NO. SEE CHART				
DRAFT WHERE APPLICABLE MUST REMAIN WITHIN DIMENSIONS		SIZE A3	THIS DRAWING CONTAINS INFORMATION THAT IS PROPRIETARY TO MOLEX INCORPORATED AND SHOULD NOT BE USED WITHOUT WRITTEN PERMISSION				

## Looking for pricing, stock, or lifecycle information?

Click below to explore more details on WIN SOURCE:

 [View 52435-2591 on WIN SOURCE](#)

 [Molex, LLC Information](#)

## Optimize Your Supply Chain with WIN SOURCE Solutions

-  Global Sourcing Solution
-  Obsolete Management
-  Cost Control Management
-  Shortage Management
-  Alternative Solution
-  Excess Inventory Management