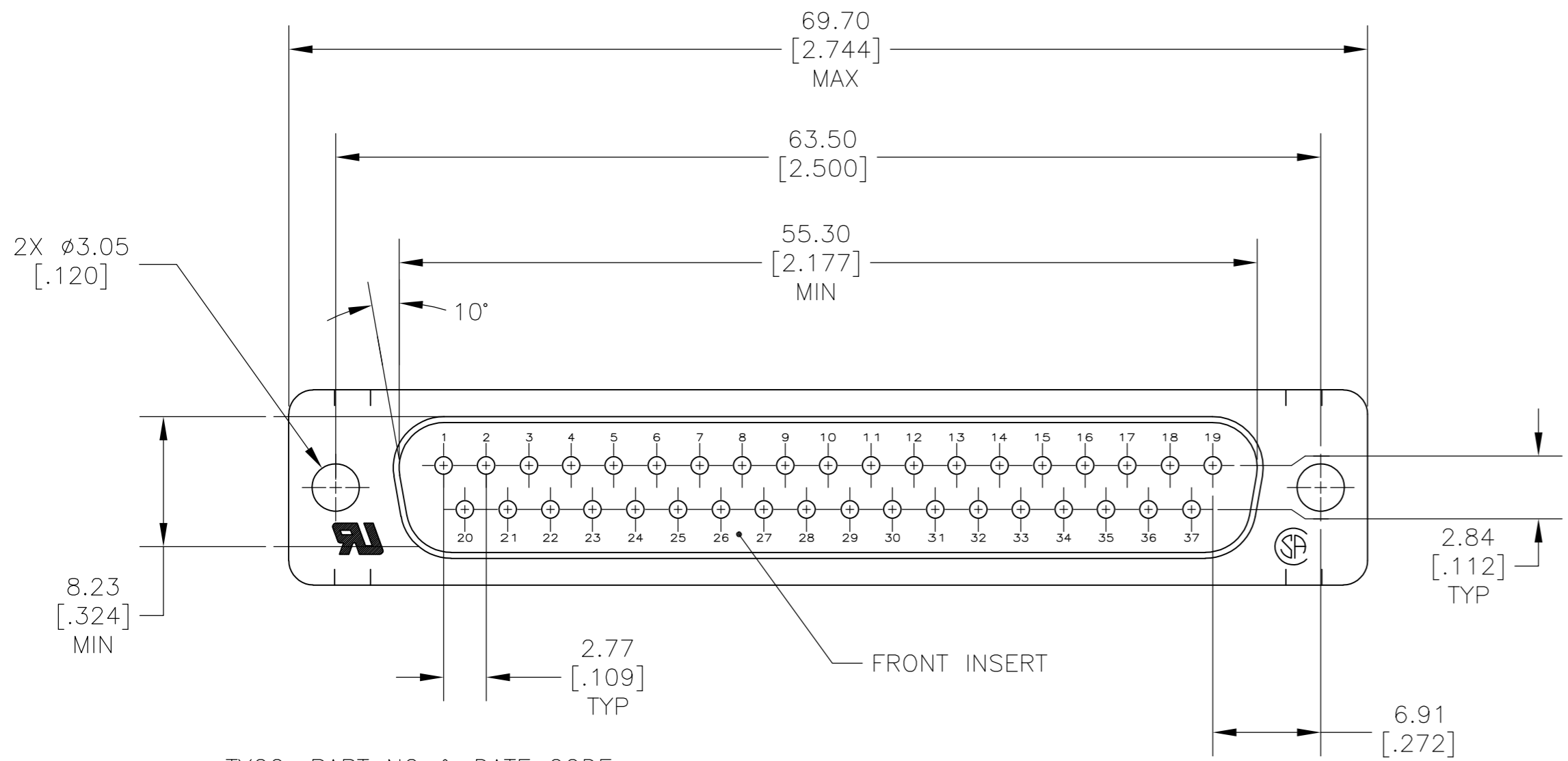


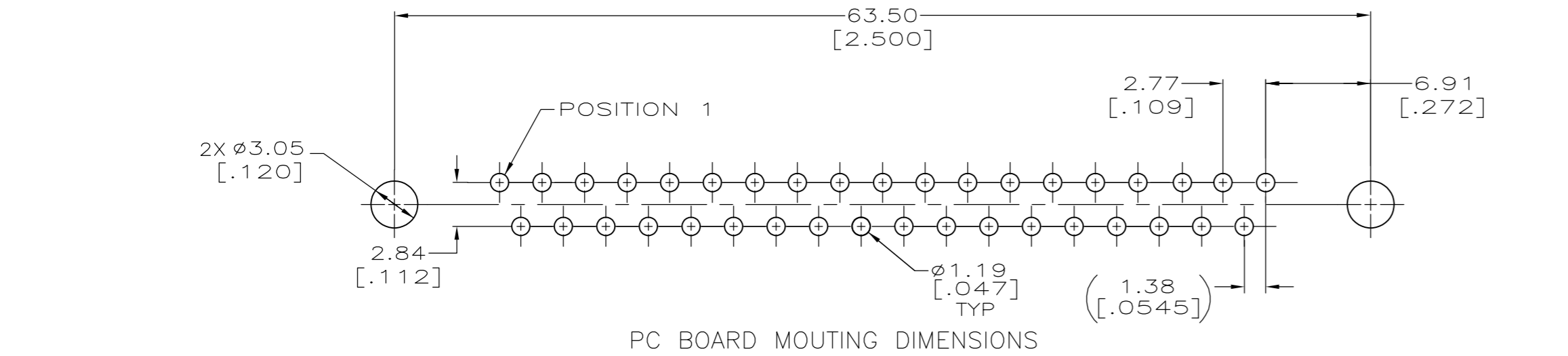
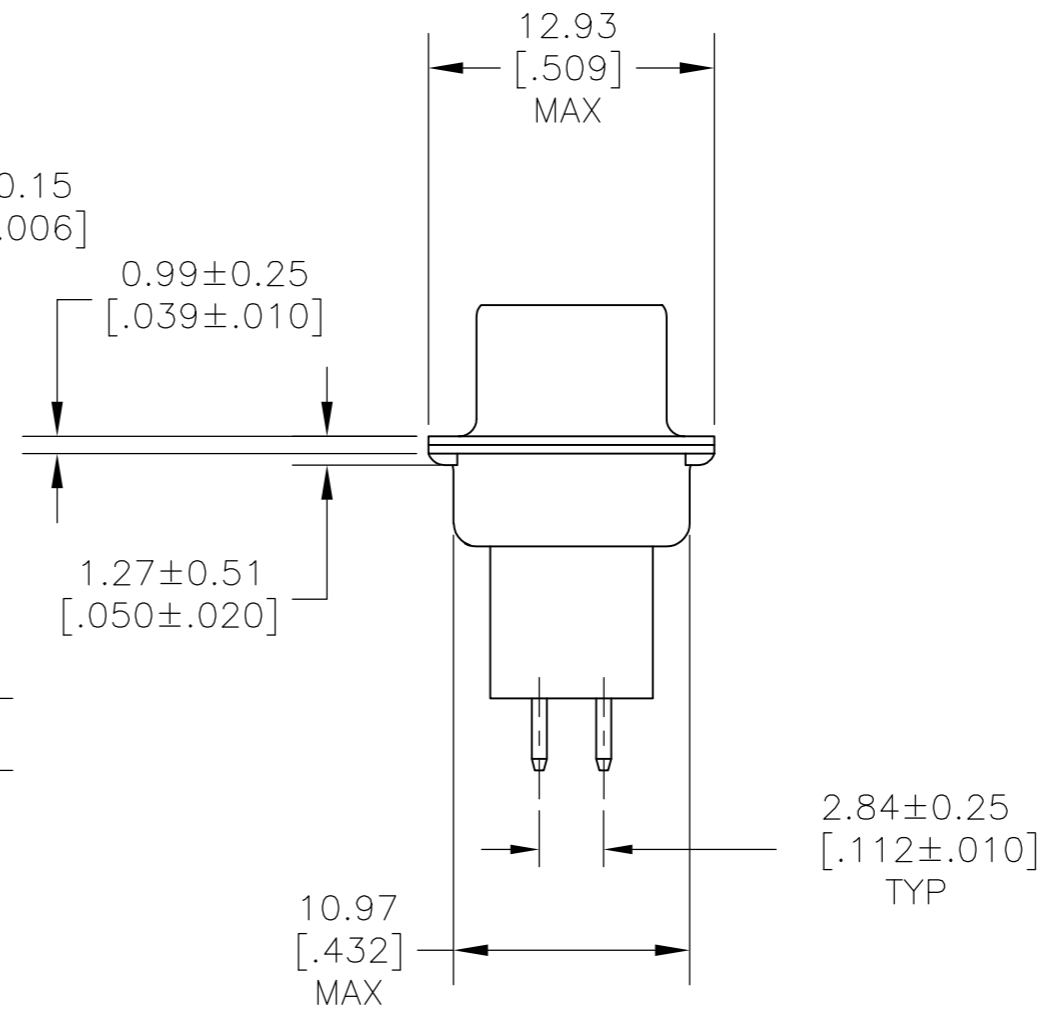
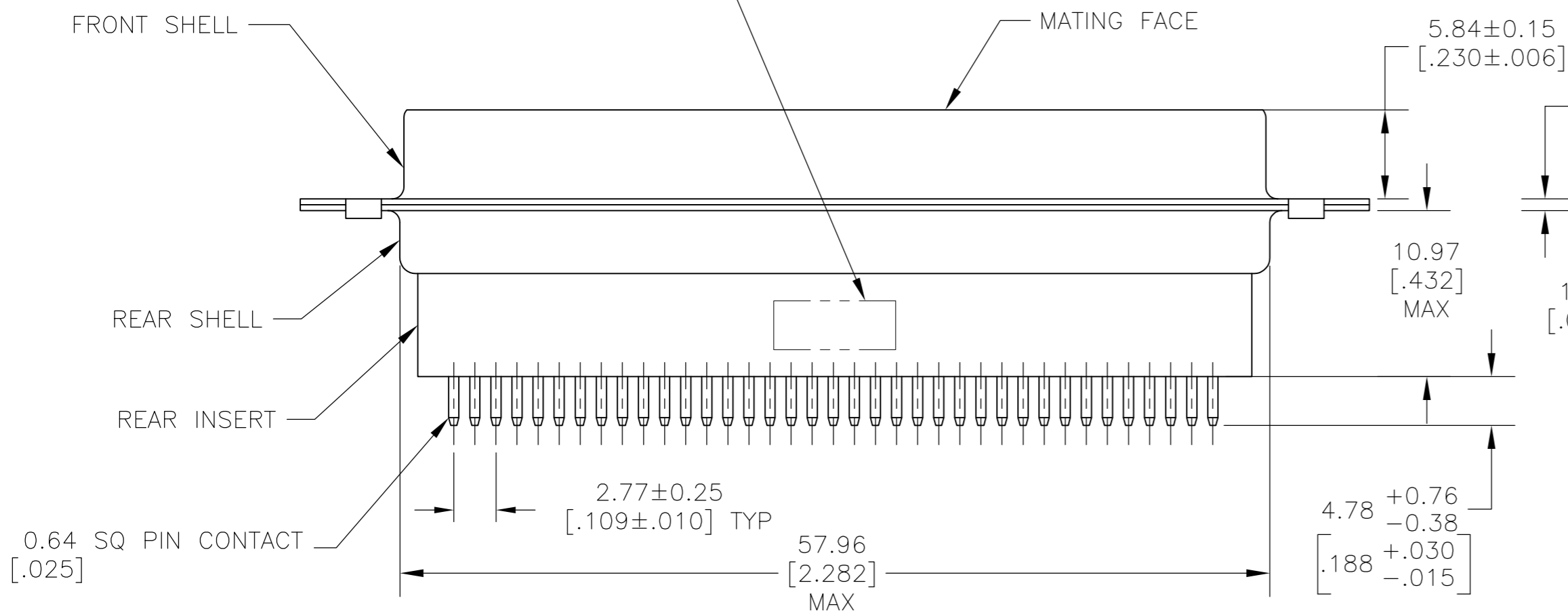
THIS DRAWING IS UNPUBLISHED. RELEASED FOR PUBLICATION
 © COPYRIGHT 2005 By - ALL RIGHTS RESERVED.

LOC	DIST	REVISIONS			
P	LTR	DESCRIPTION	DATE	DWN	APVD
GP	00				
D		REVISED PER ECO-14-011808	09AUG2014	AP	SB



- ① MOLDED PARTS: GLASS-FILLED PBT OR GLASS-FILLED NYLON, UL94V-0 RATED.
 COLOR: BLACK
 SHELLS: CARBON STEEL
 CONTACTS: BRASS
- ② SHELLS: 5.08µm [.000200] MIN ZINC WITH YELLOW CHROMATE COATING.
 CONTACTS: GOLD PLATED FOR LENGTH OF 3.81 [.150] MIN FROM MATING END,
 0.76µm [.000030] MIN GOLD IN MATED AREA,
 2.54µm [.000100] MIN TIN ON SOLDER END, BOTH OVER
 1.27µm [.000050] MIN NICKEL.
 OR
 GOLD FLASH OVER PALLADIUM-NICKEL PLATED FOR LENGTH OF
 3.81 [.150] MIN FROM MATING END,
 0.76µm [.000030] MIN TOTAL IN MATED AREA,
 2.54µm [.000100] MIN TIN ON SOLDER END, BOTH OVER
 1.27µm [.000050] MIN NICKEL.

TYCO, PART NO & DATE CODE
 MARKED IN AREA INDICATED,
 ON FAR SIDE



5205714-7
 PART NUMBER

THIS DRAWING IS A CONTROLLED DOCUMENT.		DWN B. LATTUCA 01SEPT05		
DIMENSIONS: mm [INCHES]		CHK S. BOLASH 01SEPT05		
TOLERANCES UNLESS OTHERWISE SPECIFIED:		APVD M. WALMSLEY 01SEPT05	NAME	
0 PLC ± -	1 PLC ± -	PRODUCT SPEC	PLUG ASSY, SIZE 4, 37 POS, VERTICAL, AMPLIMITE HDP	
2 PLC ± 0.13 [.005]	3 PLC ± -	APPLICATION SPEC	SIZE	CAGE CODE
4 PLC ± -	ANGLES ± -	114-40013	A2	00779
MATERIAL	FINISH	WEIGHT	DRAWING NO	RESTRICTED TO
①	②	-	114-40013	-
CUSTOMER DRAWING			SCALE	SHEET
			NTS	1 OF 1
			REV	D

Looking for pricing, stock, or lifecycle information?

Click below to explore more details on WIN SOURCE:

 [View 5205714-7](#) on WIN SOURCE

 [TE Connectivity](#) Information

Optimize Your Supply Chain with WIN SOURCE Solutions

-  Global Sourcing Solution
-  Obsolete Management
-  Cost Control Management
-  Shortage Management
-  Alternative Solution
-  Excess Inventory Management