



**THE DATASHEET OF
51720-10201602AALF**

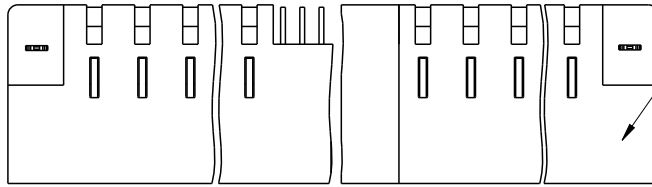
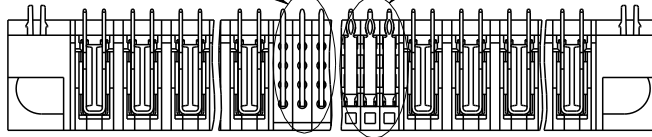


PRODUCT NUMBER

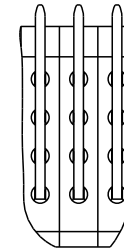
51720-ABBCCDDEF..

SEE NOTE 1

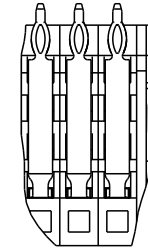
SEE DETAIL A SEE DETAIL B



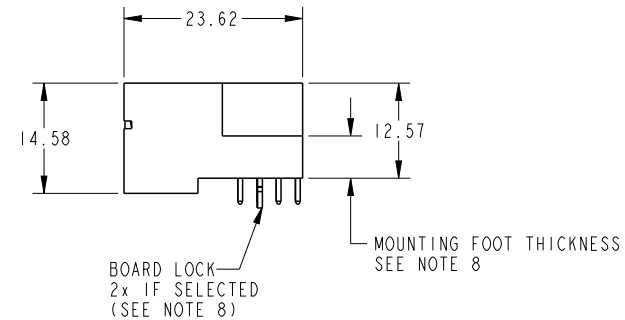
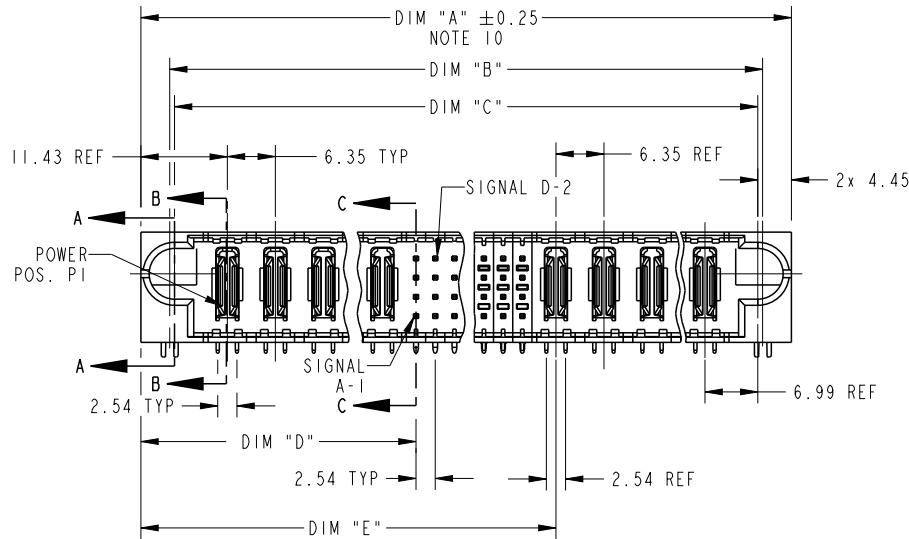
SEE NOTE 9



DETAIL A
SCALE 2:1
FOR SOLDER TO BOARD ONLY



DETAIL B
SCALE 2:1
FOR PRESS FIT ONLY



BOARD LOCK
2x IF SELECTED
(SEE NOTE 8)

MOUNTING FOOT THICKNESS
SEE NOTE 8



Copyright FCI.

spec ref	*	dr	w wcadmin	2006/11/08	projection	MM	size	A4	scale	1:1		
tolerance std	TOLERANCES UNLESS OTHERWISE SPECIFIED	eng	Ruan MT	2015/09/29			←→	ecn no	ELX-DG-21593-1			
ASME Y14.5		chr	Fancy Zhang	2015/09/30				product family	PwrBlade	rel level	Released	
surface		linear	appr	Pei-Ming Zheng		2015/09/30		R/A HEADER WITH GUIDE PIN		51720	rev	S
ASME Y14.5	angular	0°	±2°	www.fci.com	cat. no.	51720	Product - Customer Drw		sheet 1 of 3			

PRODUCT NUMBER	DIM	LENGTH FORMULAS (SEE NOTE 10)
51720-ABBCCDDEF..	DIM "A"	$6.35 \times BB + 2.54 \times (CCC/4) + 6.35 \times DD + 16.51$ (NOTE 10)
SEE NOTE 1	DIM "B"	$6.35 \times BB + 2.54 \times (CCC/4) + 6.35 \times DD + 8.89$
	DIM "C"	$6.35 \times BB + 2.54 \times (CCC/4) + 6.35 \times DD + 7.62$
	DIM "D"	$6.35 \times BB + 9.53$
	DIM "E"	$6.35 \times BB + 2.54 \times (CCC/4) + 11.43$
	DIM "F"	$6.35 \times BB + 2.54 \times (CCC/4) + 6.35 \times DD + 17.27$
	DIM "G"	$6.35 \times BB + 5.72$
	DIM "H"	$6.35 \times BB + 2.54 \times (CCC/4) + 6.35$

CONNECTOR NOTES

- ①. PRODUCT NUMBER CODE:
 51720 - A BB CCC DD E F LF
- NO THIS SUFFIX: 100u"/2.54um SnPb ON PCB INTERFACE
 - ADD THIS SUFFIX: 78u"/2.00um Sn OR 5u" Au ON PCB INTERFACE
 - RETENTION TO PCB (NOTE 8)
 - TAIL OPTIONS (NOTE 7)
 - NUMBER OF RIGHT END POWER CONTACTS (NOTE 6)
 - NUMBER OF SIGNAL CONTACTS (NOTE 5)
 - NUMBER OF LEFT END POWER CONTACTS (NOTE 4)
 - PLATING (NOTE 3)
 - BASE NUMBER

- ②. HOUSING MATERIAL: GLASS FILLED V-O HIGH TEMP THERMO PLASTIC.
 SIGNAL CONTACT MATERIAL: COPPER ALLOY
 POWER CONTACT MATERIAL: COPPER ALLOY
- ③. PLATING OPTION:
 I = SEE ITEM PRINT 10064183 FOR PLATING SPEC OF 51720-ABBCCDDEF; 51720-ABBCCDDEF LF

- ④. LEFT END POWER CONTACTS, 01 TO 19 AVAILABLE.
 MAXIMUM OF 20 POWER CONTACTS PER CONNECTOR.
- ⑤. SIGNAL CONTACTS, 004 TO 148 AVAILABLE.
- ⑥. RIGHT END POWER CONTACTS, 01 TO 19 AVAILABLE.
 MAXIMUM OF 20 POWER CONTACTS PER CONNECTOR.

- ⚠ ⑦. TAIL OPTIONS:
 A = 3.43 SOLDER TO BOARD
 B = 4.19 SOLDER TO BOARD
 C = 3.43 PRESS FIT
 D = 2.34 SOLDER TO BOARD

- ⑧. RETENTION TO PCB OPTIONS:
 A = BOARD LOCK (2.49 +0.05, -0.03 THRU HOLE IN PCB).
 MOUNTING FOOT THICKNESS: 5.59
 B = 3.81 THRU HOLE (REQUIRES 4.01±0.07 THRU HOLE IN PCB).
 MOUNTING FOOT THICKNESS: 4.06
 MOUNTING HOLES, WHERE APPLICABLE, ARE UNPLATED.
- ⑨. MANUFACTURE'S NAME, P/N, AND DATE CODE TO APPEAR ON THIS SURFACE.
- ⑩. THE MAXIMUM OVERALL LENGTH (DIM A) OF A PART IS 203.2
11. PRODUCT SPECIFICATION GS-12-149
 APPLICATION SPECIFICATION BUS-20-067
12. REFERENCE 51697 FOR SELECT LOAD/FMLB WORKSHEET.

PCB NOTES:

13. ALL DIMENSIONS ARE BASIC UNLESS OTHERWISE SPECIFIED.
14. ALL THROUGH HOLES ARE LOCATED WITH A TRUE POSITION OF 0.10
15. ALL HOLE DIAMETERS ARE FINISHED HOLE SIZE.
- ⑯. $\varnothing 1.151 \pm 0.025$ DRILLED HOLES PLATED WITH 0.008 MIN SnPb or Sn OVER 0.03 TO 0.08 PLATING TO ACHIEVE A 1.02±0.07 HOLE.
17. A ⚠ SYMBOL WILL BE NEXT TO ANY DIMENSION, VIEW, OR NOTE WHICH HAS BEEN MODIFIED WITH THE CURRENT DRAWING REVISION.
- ⑰. CONNECTOR KEEP OUT ZONE.

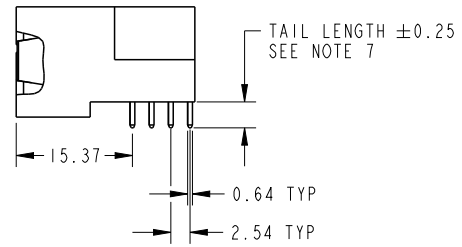
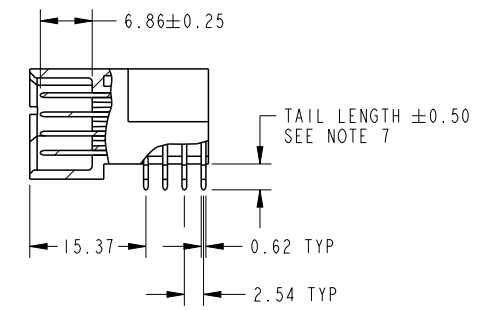
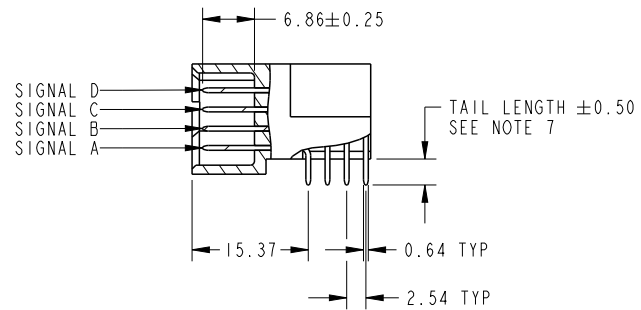
dr	wcadmin	2006/11/08	projection 	MM 	size	A4	scale	1:1
eng	Ruan MT	2015/09/29			ecn no	ELX-DG-21593-1		
chr	Fancy Zhang	2015/09/30			rel level	Released		
appr	Pei-Ming Zheng	2015/09/30	product family	PwrBlade		rev	S	
		title	R/A HEADER WITH GUIDE PIN POWER / SIGNAL / POWER			dwg no	51720	
www.fci.com	cat. no.	51720	Product - Customer Drw			sheet 2 of 3		

PRODUCT NUMBER

51720-ABBCCDDEF..

SEE NOTE 1

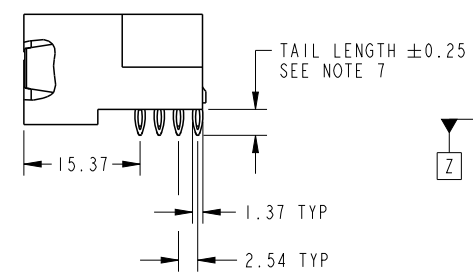
SIGNAL D
SIGNAL C
SIGNAL B
SIGNAL A



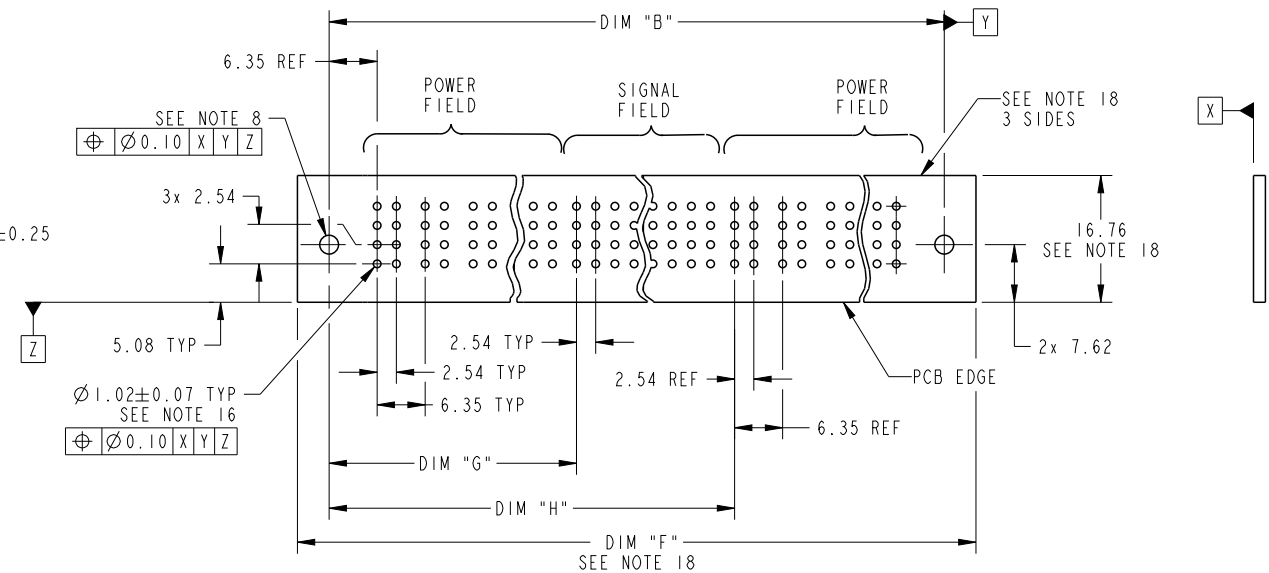
△ BROKEN-OUT SECTION C-C FOR SOLDER TO BOARD ONLY

△ BROKEN-OUT SECTION C-C FOR PRESS FIT ONLY

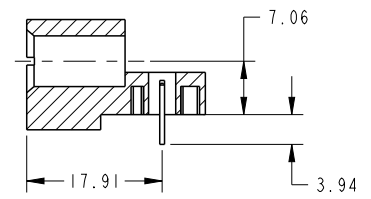
△ BROKEN-OUT SECTION B-B FOR SOLDER TO BOARD ONLY



△ BROKEN-OUT SECTION B-B FOR PRESS FIT ONLY



RECOMMENDED PCB LAYOUT



SECTION A-A

dr	w cadmin	2006/11/08	projection 	MM ←→	size	A4	scale	1:1
eng	Ruan MT	2015/09/29			ecn no	ELX-DG-21593-1		
chr	Fancy Zhang	2015/09/30			rel level	Released		
appr	Pei-Ming Zheng	2015/09/30	product family	PwrBlade		rev	S	
www.fci.com			title	R/A HEADER WITH GUIDE PIN POWER / SIGNAL / POWER		dwg no	51720	
cat. no.			51720		Product - Customer Drw		sheet 3 of 3	



Copyright FCI.

Looking for pricing, stock, or lifecycle information?

Click below to explore more details on WIN SOURCE:

 [View 51720-10201602AALF on WIN SOURCE](#)

 [Amphenol FCI Information](#)

Optimize Your Supply Chain with WIN SOURCE Solutions

-  Global Sourcing Solution
-  Obsolete Management
-  Cost Control Management
-  Shortage Management
-  Alternative Solution
-  Excess Inventory Management