

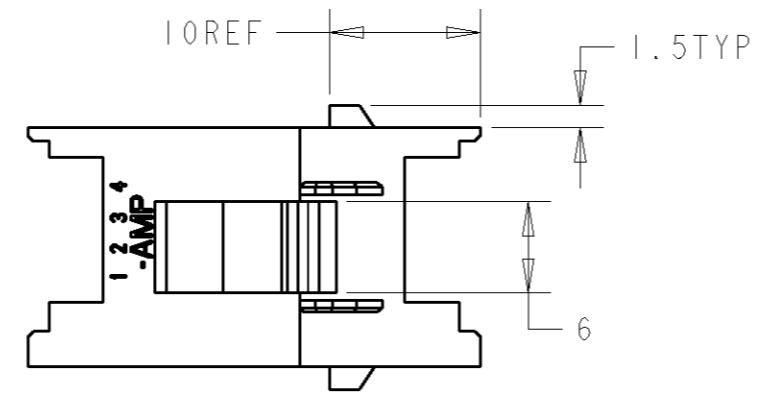
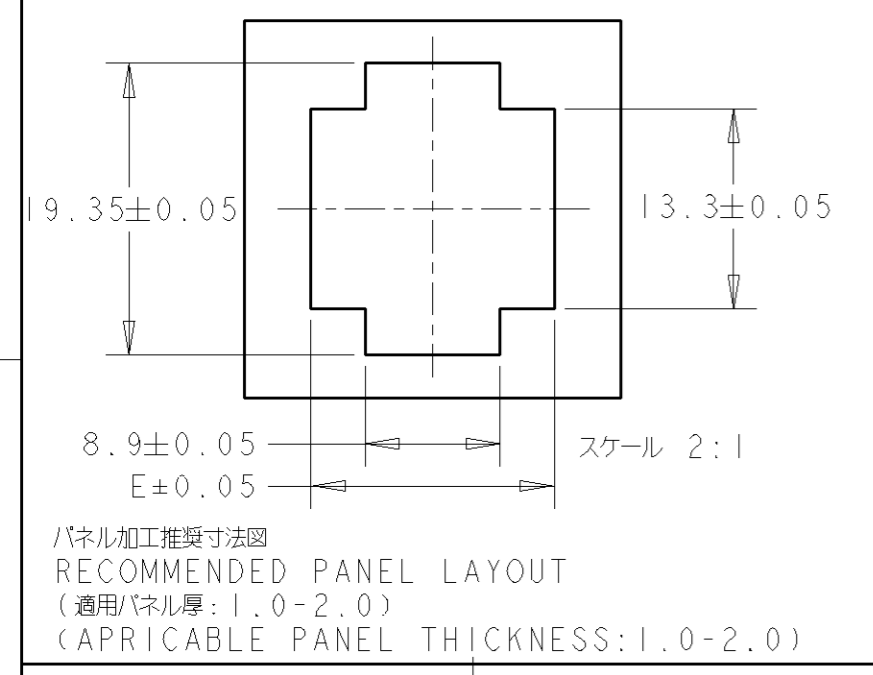


THE DATASHEET OF
5-1473574-4

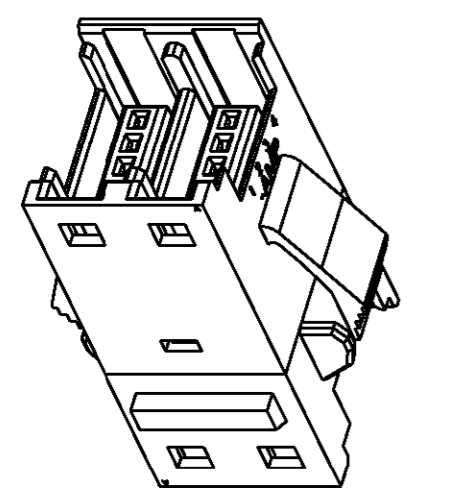
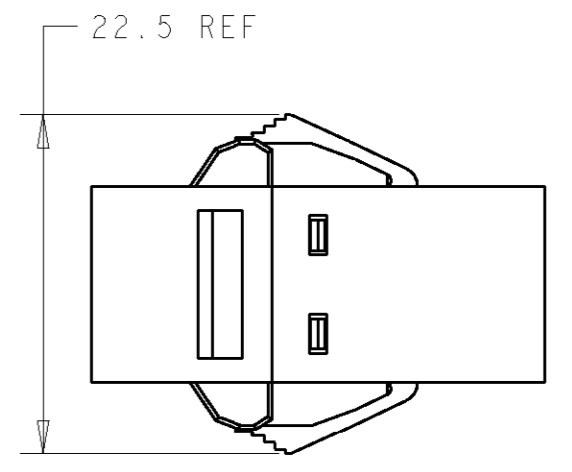
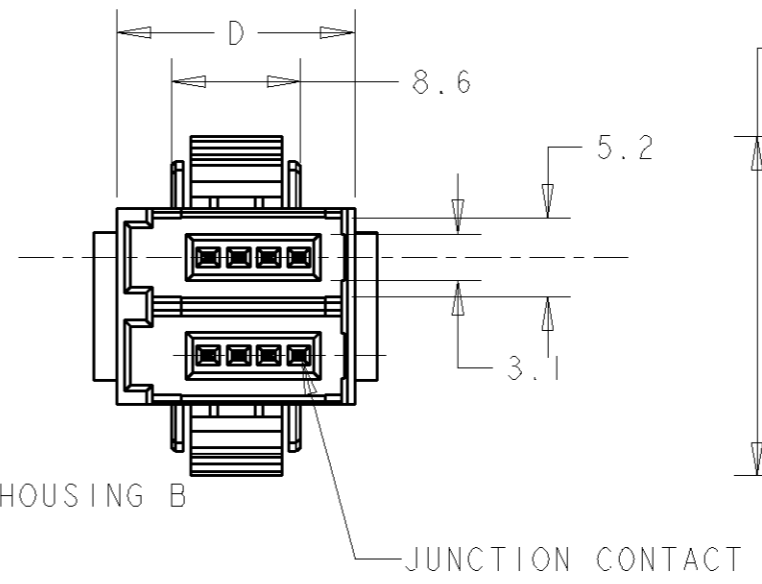
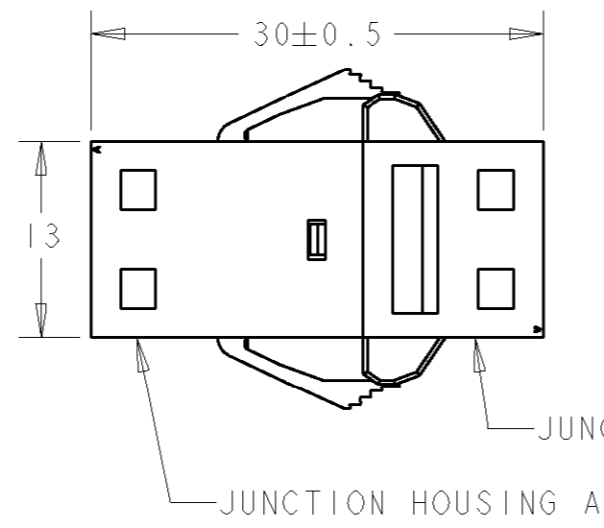
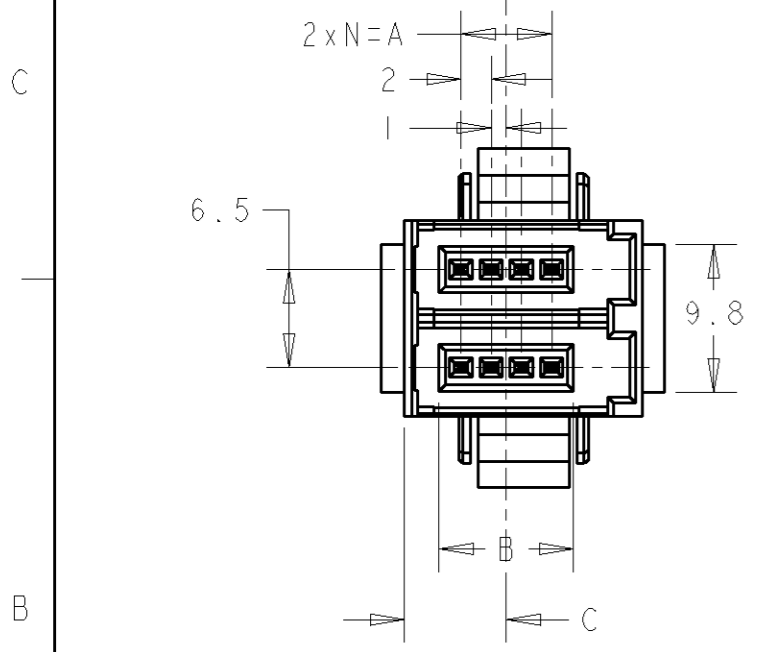


THIS DRAWING IS UNPUBLISHED. RELEASED FOR PUBLICATION
 © COPYRIGHT ALL RIGHTS RESERVED.

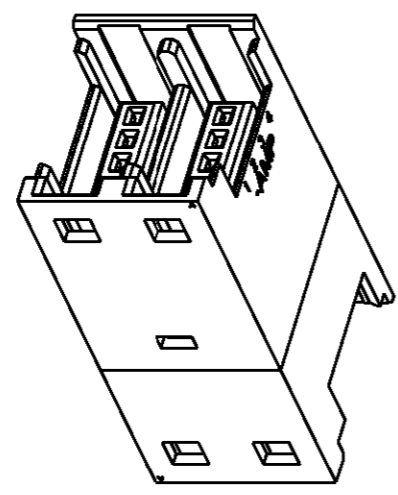
LOC	DIST	REVISIONS					
		P	LTR	DESCRIPTION	DATE	DWN	APVD
J	-	P		REVISED PER ECO-11-005294	11APR11	RK	HMR



注記
 1: 材料: ハウジング: ガラス入り熱可塑性ポリエステル樹脂, 94V-0, 黒
 コンタクト: 銅合金
 2: メッキ: コンタクト: 全面Ni下地
 接点部: 0.2μm MIN 金メッキ
 3: 金属パネルの場合, コネクタ取付方向を/パンチ加工方向にしてください。
 4: プラスチックパネルの場合, 穴端部にR無き様ご配慮ください。
 NOTE
 1: MATERIAL. HOUSING: GLASS FILED THERMPLASTIC, 94V-0, BLACK
 CONTACT. COPPER ALLOY
 2: FINISH. UNDERPLATE: Ni 1.27μm min.
 CONTACT AREA: Au 0.2μm min.
 3: INSERT CONN. FROM PRESS DIRECTION SIDE FOR METAL PANEL.
 4: EDGE OF THICKNESS WAY MUST NOT ROUND FOR MOLDED PANEL.



-1, -2 P/M TYPE
 スケール 2:1



5- -1, 5- -2 F/H TYPE
 スケール 2:1

F/H	16.1	15.8	6.75	8.9	6	3	4	5-1473574-4
F/H	14.1	13.8	5.75	6.9	4	2	3	5-1473574-3
P/M	16.1	15.8	6.75	8.9	6	3	4	1473574-4
P/M	14.1	13.8	5.75	6.9	4	2	3	1473574-3
TYPE	E	D	C	B	A	N	POS	PART NUMBER

DIMENSIONS: mm	TOLERANCES UNLESS OTHERWISE SPECIFIED: 0 PLC ± ±0.2 1 PLC ± ±3° 2 PLC ± ±3° 3 PLC ± ± 4 PLC ± ± ANGLES ± ±	DWN 10SEP2001 D. MITSUGI	TE Connectivity NAME JUNCTION BOX (4D) FOR E-CON - RITS CONN. -
		CHK 10SEP2001 S. MANABE	
MATERIAL -	FINISH -	APVD 10SEP2001 S. MANABE	SIZE A3
		PRODUCT SPEC 108-5765	CAGE CODE 00779
CUSTOMER DRAWING		APPLICATION SPEC -	DRAWING NO C-1473574
		WEIGHT -	RESTRICTED TO -
		SCALE 2:1	SHEET 1 OF 1 REV P

Looking for pricing, stock, or lifecycle information?

Click below to explore more details on WIN SOURCE:

 [View 5-1473574-4 on WIN SOURCE](#)

 [TE Connectivity](#) Information

Optimize Your Supply Chain with WIN SOURCE Solutions

-  Global Sourcing Solution
-  Obsolete Management
-  Cost Control Management
-  Shortage Management
-  Alternative Solution
-  Excess Inventory Management