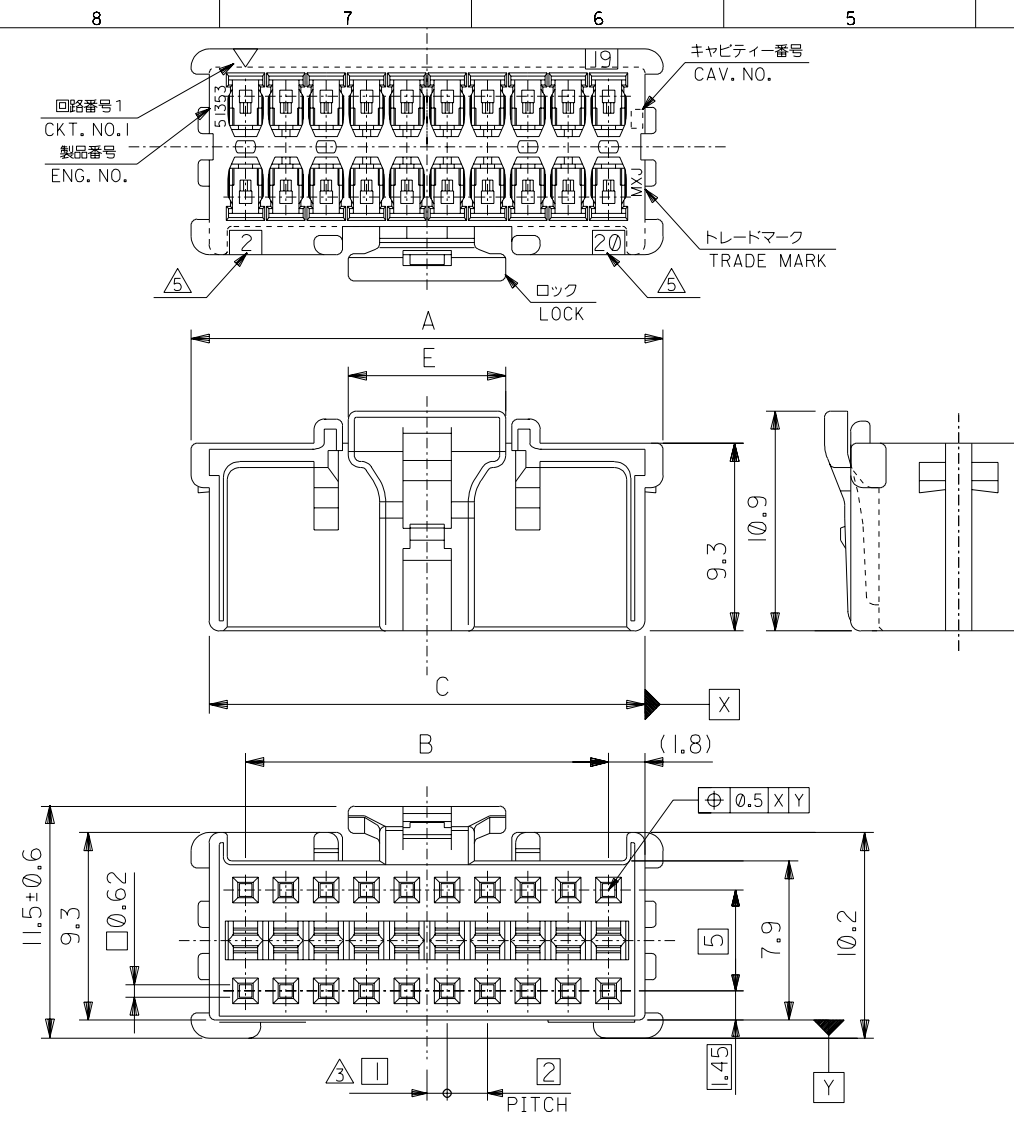




THE DATASHEET OF
513533600



DO NOT SCALE DRAWING

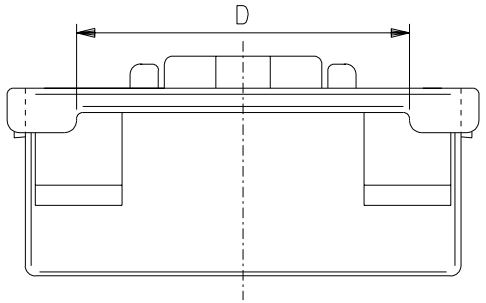


注記
NOTES

- △ 適合ターミナル : 56134-9000, 9100
APPLICABLE TERMINAL : 56134-9000, 9100
- 2. 嵌合相手 : 55917, 55959 シリーズ
MATE WITH : 55917, 55959 SERIES
(全極数/2) = 偶数の場合に適用。
APPLY FOR (CIRCUIT/2) = EVEN
- △ 製品番号
MATERIAL NO. 51353-**-0*
- △ ロック側の回路番号表示は、8~14極は無し、16~40極は有り。
LOCK SIDE CKT. NO. DIDN'T INDICATED 8~14CKT,
INDICATE 16~40CKT.

極数 CIRCUIT SIZE 色 COLOR

ナチュラル (白) NATURAL (WHITE)	0
黒 BLACK	1
赤 RED	2
黄 YELLOW	3
青 BLUE	4
桃 PINK	5
緑 GREEN	6
茶 BROWN	7
橙 ORANGE	8
紫 VIOLET	9

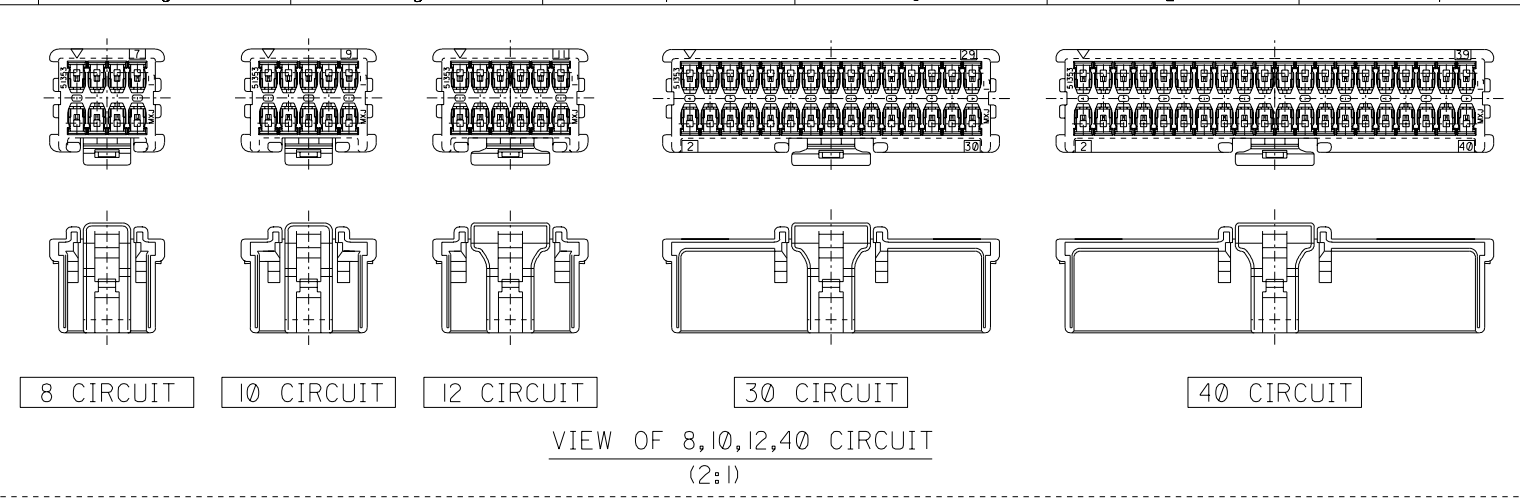


7.8	36.5	41.6	38	43.4	51353-400*	40
	34.5	39.6	36	41.4	-380*	38
	32.5	37.6	34	39.4	-360*	36
	30.5	35.6	32	37.4	-340*	34
	28.5	33.6	30	35.4	-320*	32
	26.5	31.6	28	33.4	-300*	30
	24.5	29.6	26	31.4	-280*	28
	22.5	27.6	24	29.4	-260*	26
	20.5	25.6	22	27.4	-240*	24
	18.5	23.6	20	25.4	-220*	22
	16.5	21.6	18	23.4	-200*	20
	14.5	19.6	16	21.4	-180*	18
	12.5	17.6	14	19.4	-160*	16
	10.5	15.6	12	17.4	-140*	14
7.8	8.5	13.6	10	15.4	-120*	12
4.7	6.5	11.6	8	13.4	-100*	10
4.7	4.5	9.6	6	11.4	51353-080*	8
E	D	C	B	A	MATERIAL NO.	CKT.

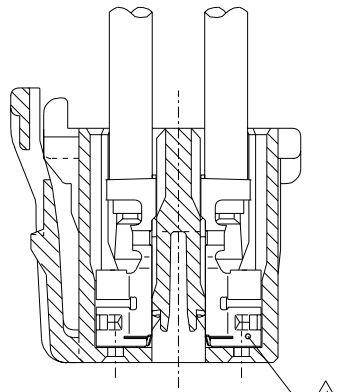
EC NO.	REVISED	MATERIAL	66NYLON, UL94V-0
DRWN: N.ITO	EC NO. J2003-0719	FINISH	//
CHK: K.ASAKAWA	DRWN: N.ITO '02/10/22	WIRE RANGE	//
APPR: T.YAMAGUCHI	CHK: K.ASAKAWA	INS. RANGE	//
REVISED	EC NO. J2003-0066	DESCRIPTION	
DRWN: N.ITO	DRWN: N.ITO '02/07/08		
CHK: K.ASAKAWA	CHK: K.ASAKAWA		
APPR: T.YAMAGUCHI	APPR: T.YAMAGUCHI		
REVISED	EC NO. J2002-2307		
DRWN: N.ITO	DRWN: N.ITO '02/03/18		
CHK: K.ASAKAWA	CHK: K.ASAKAWA		
APPR: T.YAMAGUCHI	APPR: T.YAMAGUCHI		
RELEASED	EC NO. J2002-1196		
DRWN: N.ITO	DRWN: N.ITO '01/12/17		
CHK: K.ASAKAWA	CHK: K.ASAKAWA		
APPR: T.YAMAGUCHI	APPR: T.YAMAGUCHI		
REV			

GENERAL TOLERANCES: (UNLESS SPECIFIED) 一般公差		SCALE		DESIGN UNITS		MODEL NO.		DIMENSIONS:		SHT		REV	
10 UNDER	±0.2	///	mm	mm	INCH	51353-**-0*	THIRD ANGLE	mm	INCH	mm	ONLY	REVISION	DATE
10 OVER	±0.25	///	mm	mm	INCH	N.ITO	PROJECTION	mm	mm	mm	ONLY	1	02/10/22
30 UNDER	±0.3	///	mm	mm	INCH	K.ASAKAWA		mm	mm	mm	ONLY	2	02/10/22
30 OVER	±0.3	///	mm	mm	INCH	T.YAMAGUCHI		mm	mm	mm	ONLY	1	02/10/22
ANGLE	±3°	///	mm	mm	INCH	TITLE:		mm	mm	mm	ONLY	1	02/10/22
						2.0mm W+-B DUAL CONN DIP		mm	mm	mm	ONLY	1	02/10/22
						RCPT HOUSING		mm	mm	mm	ONLY	1	02/10/22
						MOLEX MOLEX INCORPORATED		mm	mm	mm	ONLY	1	02/10/22
						MATERIAL NO.		mm	mm	mm	ONLY	1	02/10/22
						SEE CHART		mm	mm	mm	ONLY	1	02/10/22
						DRAWING NO.		mm	mm	mm	ONLY	1	02/10/22
						SD-51353-002		mm	mm	mm	ONLY	1	02/10/22
						SHEET NO.		mm	mm	mm	ONLY	1	02/10/22
						1 OF 2		mm	mm	mm	ONLY	1	02/10/22
						THIS DRAWING CONTAINS INFORMATION THAT IS PROPRIETARY TO MOLEX INCORPORATED AND SHOULD NOT BE USED WITHOUT WRITTEN PERMISSION.		mm	mm	mm	ONLY	1	02/10/22
						SIZE		mm	mm	mm	ONLY	1	02/10/22
						B		mm	mm	mm	ONLY	1	02/10/22

DWG. NO. SD-51353-002



VIEW OF 8,10,12,40 CIRCUIT
(2:1)



ターミナル装着状態図
TERMINAL ASSEMBLY DRAWING
SCALE 5:1

DO NOT SCALE DRAWING

EC NO. DRWN: CH'K: APPR:	REVISED EC NO. J2003-0719 DRWN:N.ITO '02/09/12 CH'K: K.ASAKAWA APPR:T.YAMAGUCHI	REVISED EC NO. J2003-0066 DRWN:N.ITO '02/07/08 CH'K: K.ASAKAWA APPR:T.YAMAGUCHI	REVISED EC NO. J2002-2307 DRWN:N.ITO '02/03/18 CH'K: K.ASAKAWA APPR:T.YAMAGUCHI	RELEASED EC NO. J2002-1196 DRWN:N.ITO '01/12/17 CH'K: K.ASAKAWA APPR:T.YAMAGUCHI	MATERIAL 材料 SEE CHART 1 OF 2	GENERAL TOLERANCES: (UNLESS SPECIFIED) 一般公差	SCALE //	DESIGN UNITS <input checked="" type="checkbox"/> mm <input type="checkbox"/> INCH	THIRD ANGLE PROJECTION	DIMENSIONS: <input type="checkbox"/> mm <input type="checkbox"/> INCH <input checked="" type="checkbox"/> mm ONLY	SHT REVISE ON CAD ONLY	REV
	C	B	A	0	FINISH 仕上げ //		10 UNDER 未満 ±0.2	30 UNDER 未満 ±0.25				
WIRE RANGE 適用線径範囲 //	INS. RANGE 被覆外径 //	DRAWN BY & DATE N.ITO '01/12/17	CHECKED BY & DATE K.ASAKAWA '02/09/12	APPROVED BY & DATE T.YAMAGUCHI '02/09/12	CAD FILENAME 51353002.S02			MATERIAL NO. SEE CHART	DRAWING NO. SD-51353-002	SHEET NO. 2 OF 2	SIZE B	

THIS DRAWING CONTAINS INFORMATION THAT IS PROPRIETARY TO MOLEX INCORPORATED AND SHOULD NOT BE USED WITHOUT WRITTEN PERMISSION.

Looking for pricing, stock, or lifecycle information?

Click below to explore more details on WIN SOURCE:

 [View 513533600 on WIN SOURCE](#)

 [Molex, LLC Information](#)

Optimize Your Supply Chain with WIN SOURCE Solutions

-  Global Sourcing Solution
-  Obsolete Management
-  Cost Control Management
-  Shortage Management
-  Alternative Solution
-  Excess Inventory Management