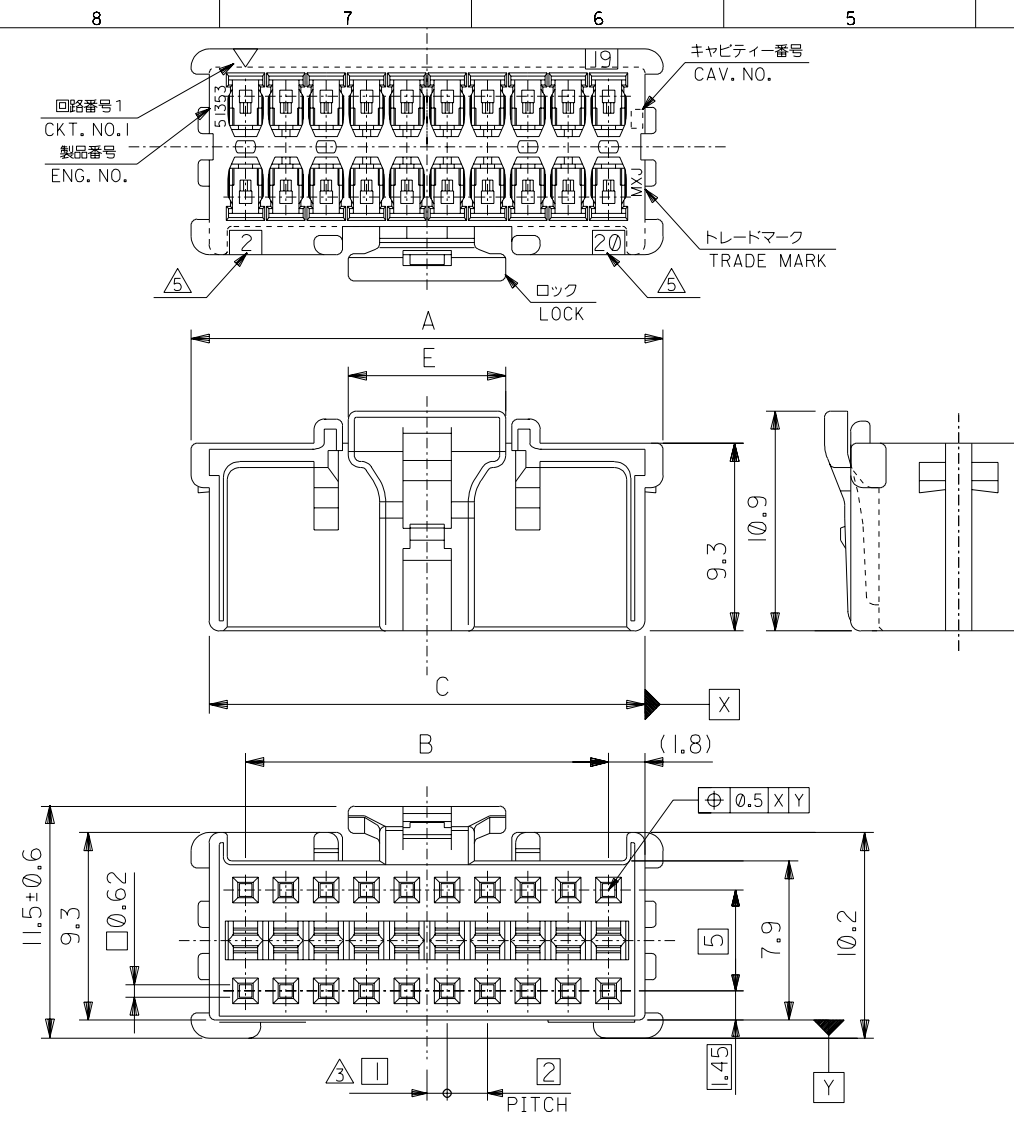




THE DATASHEET OF
513532800



DO NOT SCALE DRAWING

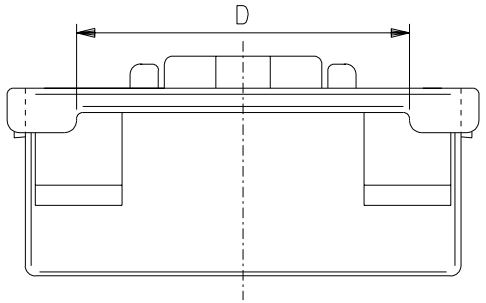


注記
NOTES

- △ 適合ターミナル : 56134-9000, 9100
APPLICABLE TERMINAL : 56134-9000, 9100
- 2. 嵌合相手 : 55917, 55959 シリーズ
MATE WITH : 55917, 55959 SERIES
(全極数/2) = 偶数の場合に適用。
APPLY FOR (CIRCUIT/2) = EVEN
- △ 製品番号
MATERIAL NO. 51353-**-0*
- △ ロック側の回路番号表示は、8~14極は無し、16~40極は有り。
LOCK SIDE CKT. NO. DIDN'T INDICATED 8~14CKT,
INDICATE 16~40CKT.

極数 CIRCUIT SIZE 色 COLOR

ナチュラル (白) NATURAL (WHITE)	0
黒 BLACK	1
赤 RED	2
黄 YELLOW	3
青 BLUE	4
桃 PINK	5
緑 GREEN	6
茶 BROWN	7
橙 ORANGE	8
紫 VIOLET	9

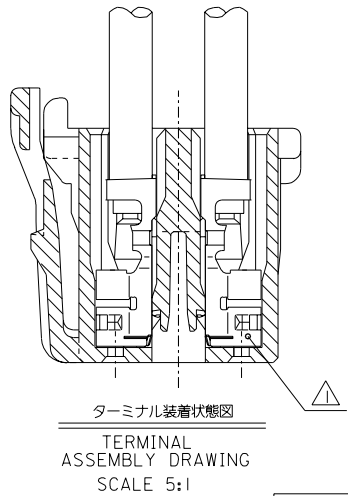
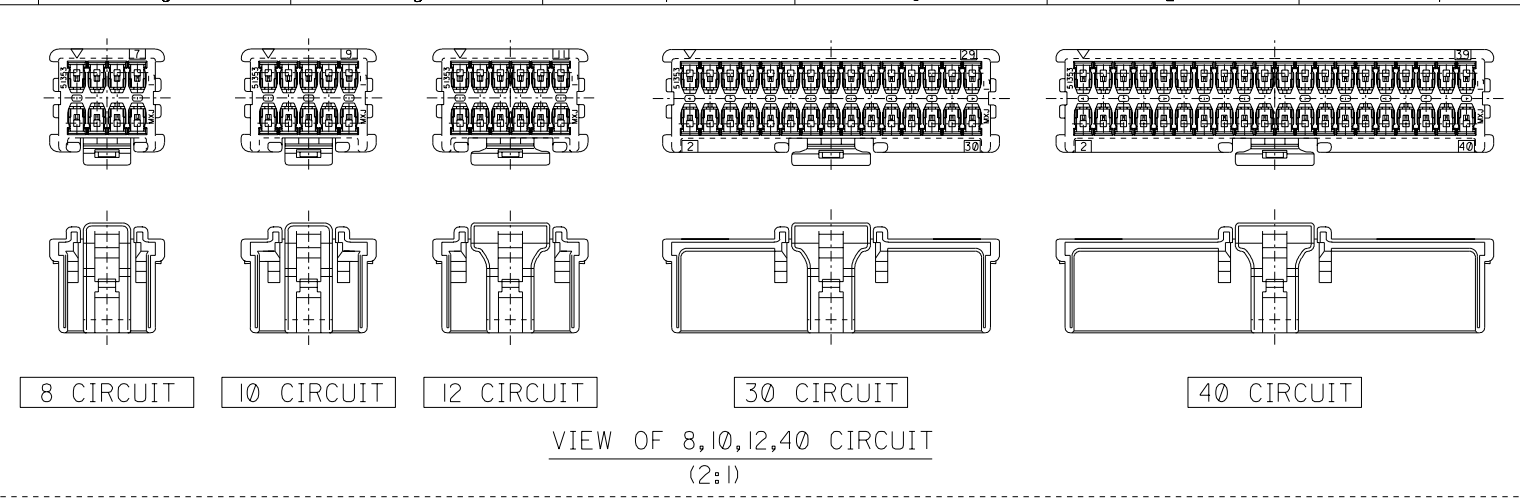


7.8	36.5	41.6	38	43.4	51353-400*	40
	34.5	39.6	36	41.4	-380*	38
	32.5	37.6	34	39.4	-360*	36
	30.5	35.6	32	37.4	-340*	34
	28.5	33.6	30	35.4	-320*	32
	26.5	31.6	28	33.4	-300*	30
	24.5	29.6	26	31.4	-280*	28
	22.5	27.6	24	29.4	-260*	26
	20.5	25.6	22	27.4	-240*	24
	18.5	23.6	20	25.4	-220*	22
	16.5	21.6	18	23.4	-200*	20
	14.5	19.6	16	21.4	-180*	18
	12.5	17.6	14	19.4	-160*	16
	10.5	15.6	12	17.4	-140*	14
7.8	8.5	13.6	10	15.4	-120*	12
4.7	6.5	11.6	8	13.4	-100*	10
4.7	4.5	9.6	6	11.4	51353-080*	8
E	D	C	B	A	MATERIAL NO.	CKT.

EC NO.	REVISED	MATERIAL	66NYLON, UL94V-0
DRWNS: ITO	EC NO. J2003-0719	FINISH	//
CHK: KASAKAWA	DRWNS: ITO '02/10/22	WIRE RANGE	//
APPR: T.YAMAGUCHI	CHK: KASAKAWA	INS. RANGE	//
REVISED	EC NO. J2003-0066	DESCRIPTION	
DRWNS: ITO	DRWNS: ITO '02/07/08	REVISED	
CHK: KASAKAWA	CHK: KASAKAWA	RELEASED	
APPR: T.YAMAGUCHI	APPR: T.YAMAGUCHI	EC NO. J2002-1196	
REVISED	EC NO. J2002-2307	DRWNS: ITO	'01/12/17
DRWNS: ITO	DRWNS: ITO '02/03/18	CHK: KASAKAWA	
APPR: T.YAMAGUCHI	APPR: T.YAMAGUCHI	RELEASED	
REVISED	EC NO. J2002-1196	DRWNS: ITO	'01/12/17
DRWNS: ITO	DRWNS: ITO '02/03/18	CHK: KASAKAWA	
APPR: T.YAMAGUCHI	APPR: T.YAMAGUCHI	RELEASED	
REVISED	EC NO. J2002-2307	DRWNS: ITO	'01/12/17
DRWNS: ITO	DRWNS: ITO '02/03/18	CHK: KASAKAWA	
APPR: T.YAMAGUCHI	APPR: T.YAMAGUCHI	RELEASED	
REVISED	EC NO. J2002-1196	DRWNS: ITO	'01/12/17
DRWNS: ITO	DRWNS: ITO '02/03/18	CHK: KASAKAWA	
APPR: T.YAMAGUCHI	APPR: T.YAMAGUCHI	RELEASED	

GENERAL TOLERANCES: (UNLESS SPECIFIED) 一般公差	SCALE	DESIGN UNITS	MODEL NO.	DIMENSIONS:		SHT	REV	
10 UNDER 未満	///	<input checked="" type="checkbox"/> mm <input type="checkbox"/> INCH	N.ITO	<input type="checkbox"/> mm <input type="checkbox"/> INCH	<input checked="" type="checkbox"/> mm ONLY			
10 OVER 30 UNDER 未満			DATE '01/12/17	THIRD ANGLE PROJECTION			REVISION ON CAD ONLY	
30 OVER 以上			CHECKED BY & DATE K.ASAKAWA '02/10/22	TITLE: 2.0mm W+-B DUAL CONN DIP RCPT HOUSING				
ANGLE 角度			APPROVED BY & DATE T.YAMAGUCHI '02/10/22	MOLEX MOLEX INCORPORATED				
			CAD FILENAME 51353002.S01	MATERIAL NO.	DRAWING NO. SD-51353-002	SHEET NO. 1 OF 2		
			THIS DRAWING CONTAINS INFORMATION THAT IS PROPRIETARY TO MOLEX INCORPORATED AND SHOULD NOT BE USED WITHOUT WRITTEN PERMISSION.				SIZE B	

DWG. NO. SD-51353-002



DO NOT SCALE DRAWING

EC NO. DRWN: CH'K: APPR:	REVISED	MATERIAL 材料 SEE CHART 1 OF 2	FINISH 仕上り //	WIRE RANGE 適用線径範囲 //	INS. RANGE 被覆外径 //
	EC NO. J2003-0719 DRWN:N.ITO '02/09/12 CH'K: K.ASAKAWA APPR:T.YAMAGUCHI				
	REVISED				
	EC NO. J2003-0066 DRWN:N.ITO '02/07/08 CH'K: K.ASAKAWA APPR:T.YAMAGUCHI				
	REVISED				
EC NO. J2002-2307 DRWN:N.ITO '02/03/18 CH'K: K.ASAKAWA APPR:T.YAMAGUCHI	GENERAL TOLERANCES: (UNLESS SPECIFIED) 一般公差	DESCRIPTION	WIRE RANGE 適用線径範囲 //	INS. RANGE 被覆外径 //	
RELEASED					
EC NO. J2002-1196 DRWN:N.ITO '01/12/17 CH'K: K.ASAKAWA APPR:T.YAMAGUCHI					
REVISED					
EC NO. J2002-2307 DRWN:N.ITO '02/03/18 CH'K: K.ASAKAWA APPR:T.YAMAGUCHI					

51353-**-0*		MODEL NO.	DIMENSIONS:		SHT	REV
SCALE //	DESIGN UNITS ☒ mm ☐ INCH	THIRD ANGLE PROJECTION ☉ ☐	☐ mm INCH ☐ mm	☒ mm ONLY		REVISE ON CAD ONLY
DRAWN BY & DATE N.ITO '01/12/17		TITLE: 2.0mm W+-B DUAL CONN DIP RCPT HOUSING				
CHECKED BY & DATE K.ASAKAWA '02/09/12		MOLEX MOLEX INCORPORATED				
APPROVED BY & DATE T.YAMAGUCHI '02/09/12		MATERIAL NO. SEE CHART	DRAWING NO. SD-51353-002	SHEET NO. 2 OF 2		
CAD FILENAME 51353002.S02		THIS DRAWING CONTAINS INFORMATION THAT IS PROPRIETARY TO MOLEX INCORPORATED AND SHOULD NOT BE USED WITHOUT WRITTEN PERMISSION.				
					SIZE B	

Looking for pricing, stock, or lifecycle information?

Click below to explore more details on WIN SOURCE:

 [View 513532800 on WIN SOURCE](#)

 [Molex, LLC Information](#)

Optimize Your Supply Chain with WIN SOURCE Solutions

-  Global Sourcing Solution
-  Obsolete Management
-  Cost Control Management
-  Shortage Management
-  Alternative Solution
-  Excess Inventory Management