

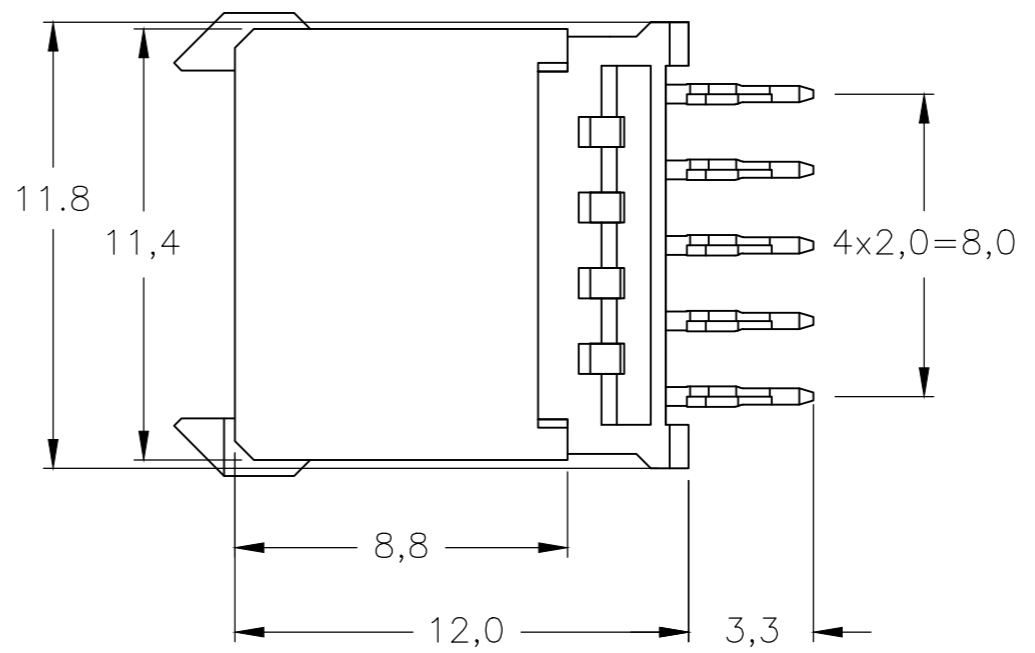
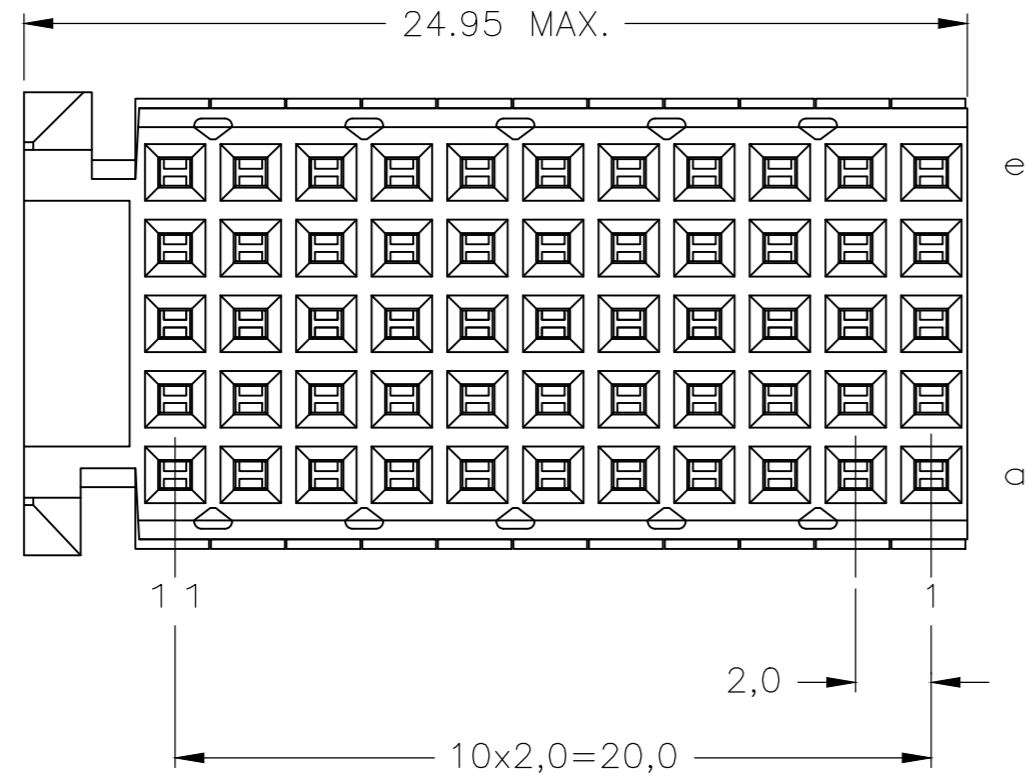
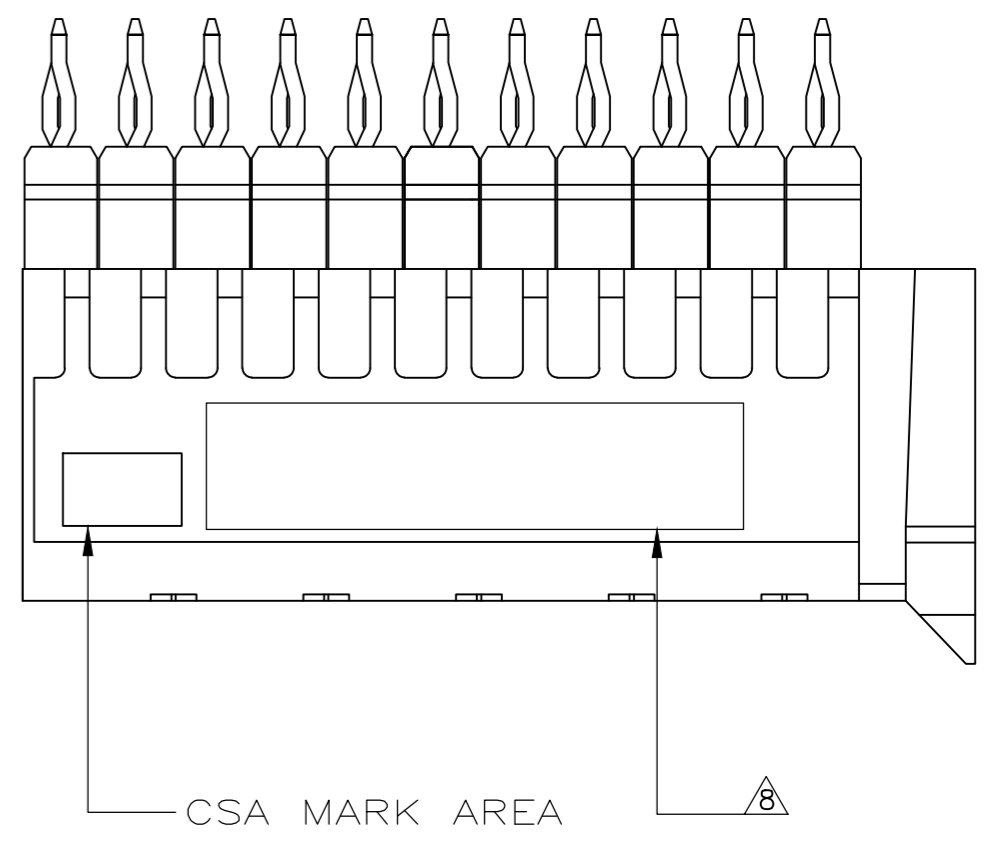
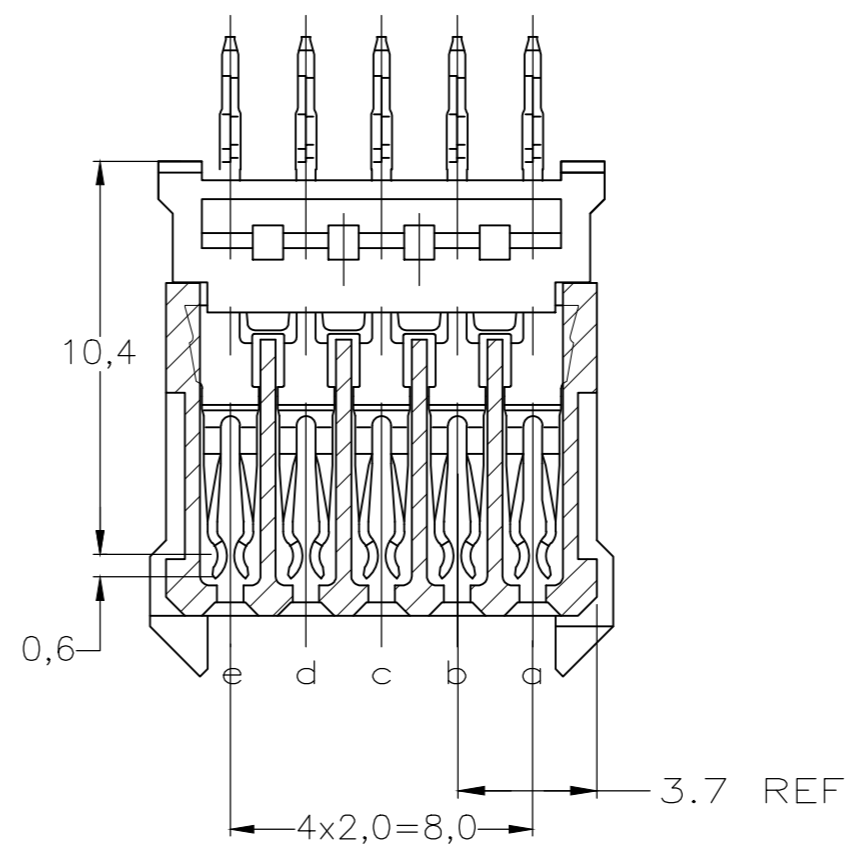
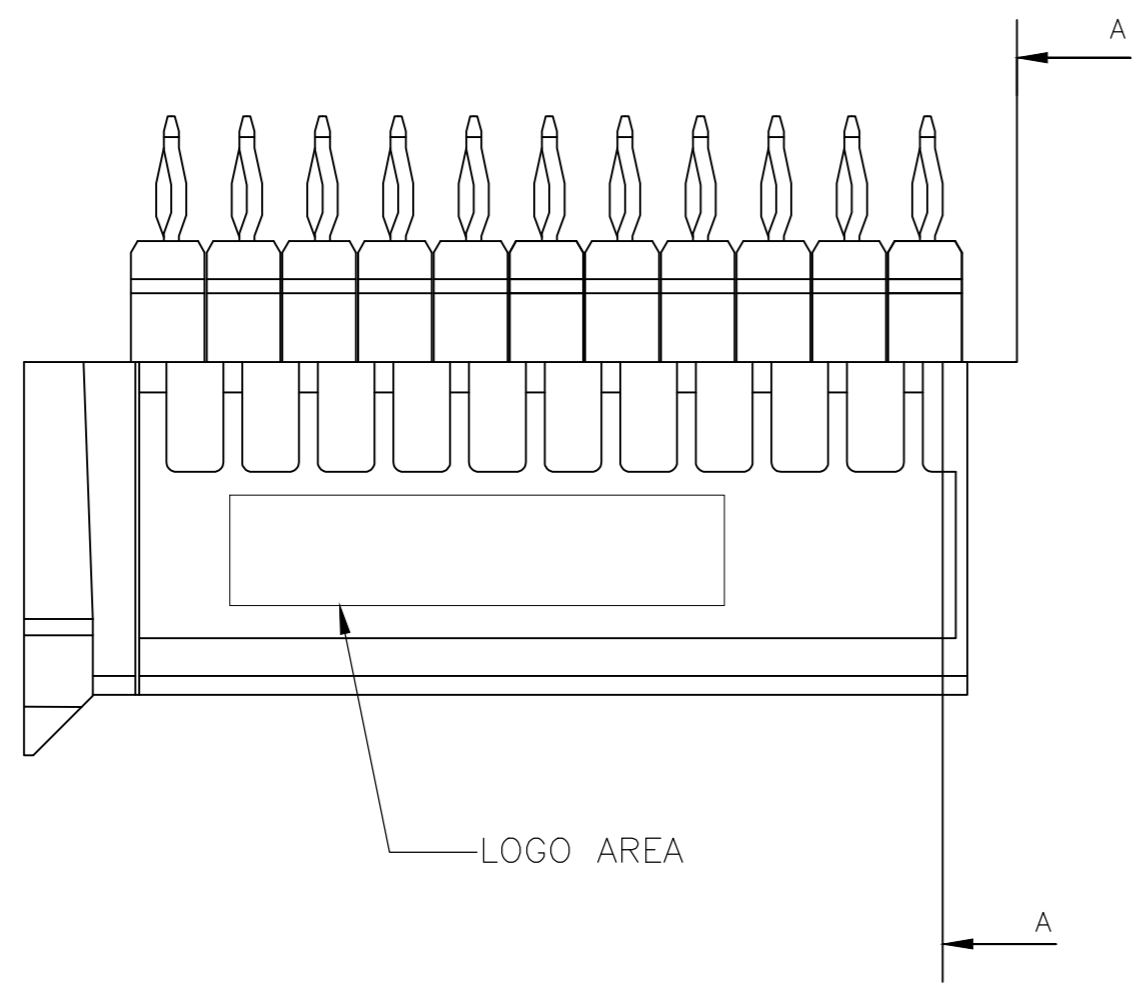


**THE DATASHEET OF**  
**5106775-9**



THIS DRAWING IS UNPUBLISHED. RELEASED FOR PUBLICATION  
 © COPYRIGHT - By - ALL RIGHTS RESERVED.

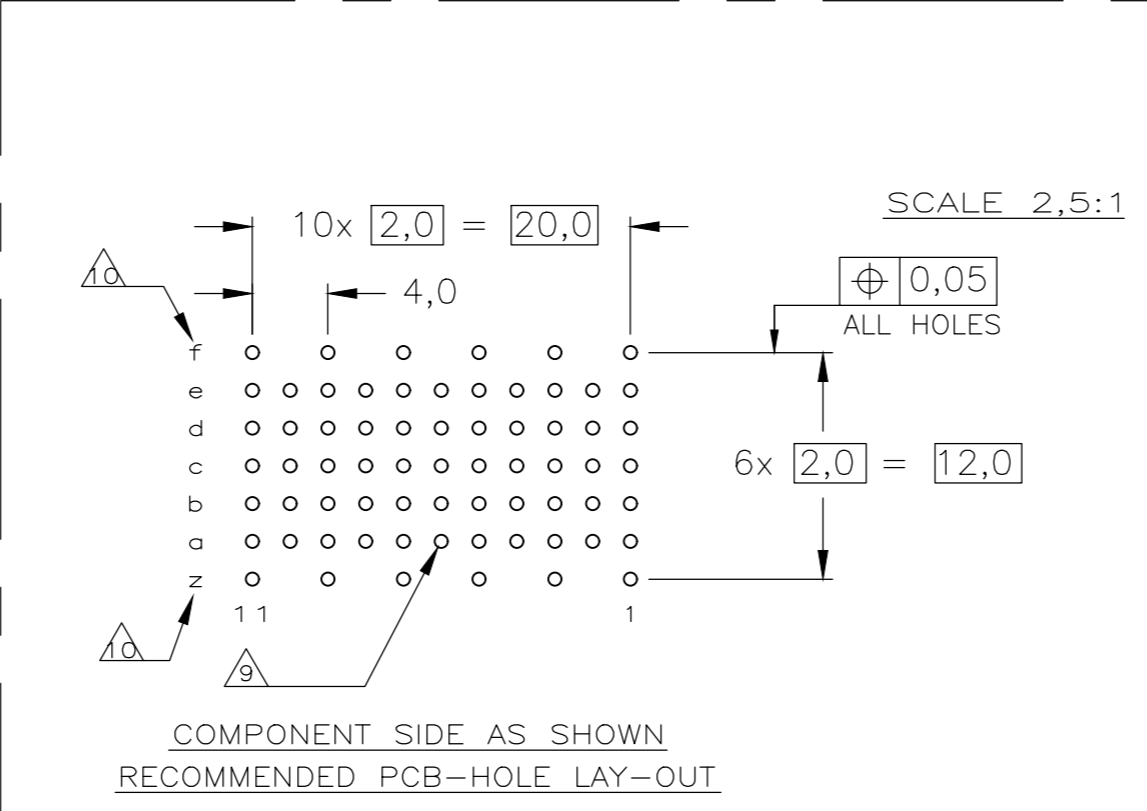
REVISIONS				
P	LTR	DESCRIPTION	DATE	APVD
J		REVISED PER ECO-19-002730	27FEB2019	A.S H.L



**NOTES:**

- ⚠ MATERIAL CONTACT: PHOSPHORBRONZE  
MATERIAL HOUSING: GLASSFILLED POLYESTER  
UL-RATING 94V0 (GRAY).
- ⚠ GENERAL PLATING SPECIFICATION: UNDERPLATING (ENTIRE CONTACT):  
1,27µm NICKEL MIN. AND ACTION PIN: 0,5µm TIN MIN.  
FOR PLATING OF MATING SURFACES SEE APPLICABLE  
SPECIFICATION REFERENCE FOR EACH DASH NUMBER.
- ⚠ CONFORMS TO ALL TESTING ACCORDING IEC 61076-4-101  
PERFORMANCE LEVEL 2.
- ⚠ CONFORMS TO ALL TESTING ACCORDING IEC 61076-4-101  
PERFORMANCE LEVEL 1.
- ⚠ CONNECTOR TESTED AND QUALIFIED AGAINST TELCORDIA GR-1217-CORE  
QUALITY LEVEL III, CENTRAL OFFICE APPLICATIONS.
- ⚠ CONNECTOR TESTED AND QUALIFIED AGAINST TELCORDIA GR-1217-CORE  
QUALITY LEVEL III, UNCONTROLLED ENVIRONMENT APPLICATIONS.
- ⚠ CONNECTOR LUBRICATED WITH TELCORDIA GR-1217-CORE  
APPROVED LUBRICANT.
- ⚠ CONNECTOR PRINTED WITH PARTNUMBER AND DATECODE.
- ⚠ PLATED-THROUGH HOLES AT 2x2mm SQUARE GRID (55 HOLES).
- ⚠ HOLES IN ROW f AND z FOR POSSIBLE FUTURE USE OF  
GROUND RETURN SHIELD. (SHIELDS NOT YET TOOLED)
- ⚠ 0.76µm MIN. GOLD PLATING AT MATING SURFACE

P.C.B. HOLE DIM. ACTION PIN  
FOR DETAILS SEE  
APPLICATION SPECIFICATION



	⚠⚠⚠	⚠	3-5106775-0
OBSOLETE	⚠⚠⚠	⚠	1-5106775-9
OBSOLETE	⚠⚠⚠	⚠	5106775-9
OBSOLETE	⚠⚠⚠	⚠	5106775-4
	⚠⚠⚠	⚠	5106775-1
	FINISH	MATERIAL	PARTNUMBER

THIS DRAWING IS A CONTROLLED DOCUMENT.		DWN	13AUG2004	 TE Connectivity
DIMENSIONS: mm		CHK	27OCT2004	
TOLERANCES UNLESS OTHERWISE SPECIFIED:		APVD	27OCT2004	
0-PLC ± - 1-PLC ± - 2-PLC ± - ±0.2 3-PLC ± - 4-PLC ± - ANGLES ± - FINISH -		NAME		
MATERIAL		B.MOOIJ PRODUCT SPEC 108-19082 APPLICATION SPEC 114-19029 WEIGHT 0.00000		Z-PACK 2mm HM TYPE C 55 POS. VERTICAL FEMALE CONNECTOR ASSEMBLY
CUSTOMER DRAWING		SIZE	A2	RESTRICTED TO
		CAGE CODE	00779	
		DRAWING NO	C=5106775	
		SCALE	5:1	
		SHEET	1 of 1	
		REV	J	

## Looking for pricing, stock, or lifecycle information?

Click below to explore more details on WIN SOURCE:

 [View 5106775-9 on WIN SOURCE](#)

 [TE Connectivity](#) Information

## Optimize Your Supply Chain with WIN SOURCE Solutions

-  Global Sourcing Solution
-  Obsolete Management
-  Cost Control Management
-  Shortage Management
-  Alternative Solution
-  Excess Inventory Management