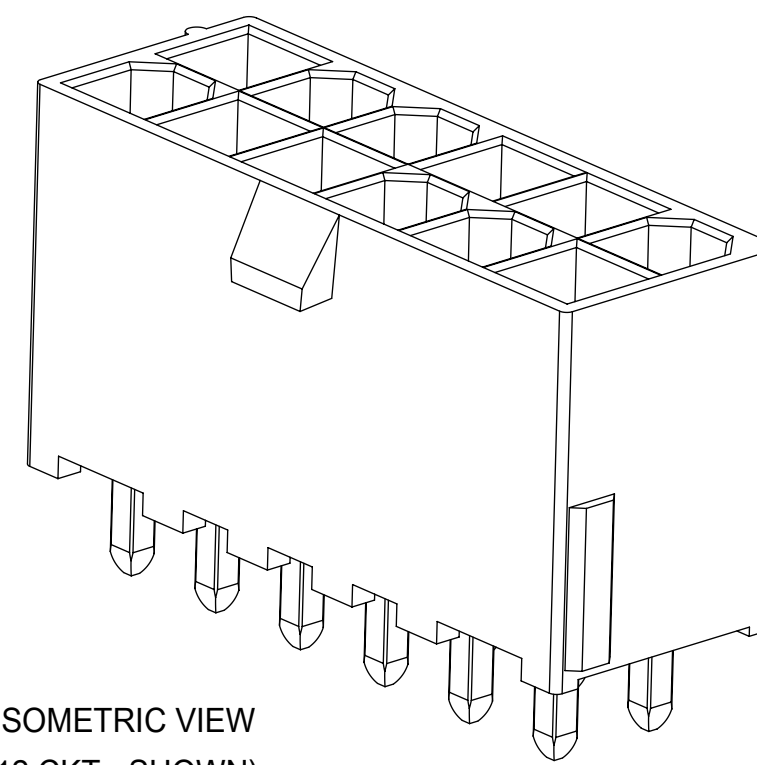
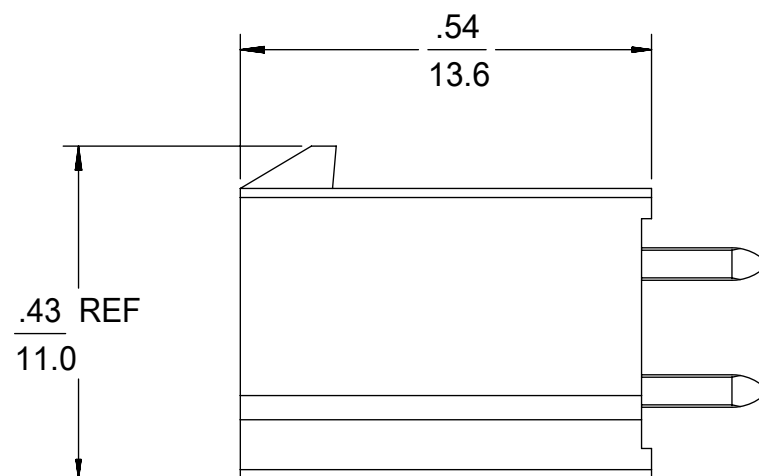
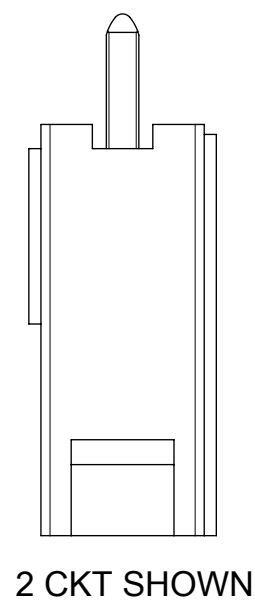
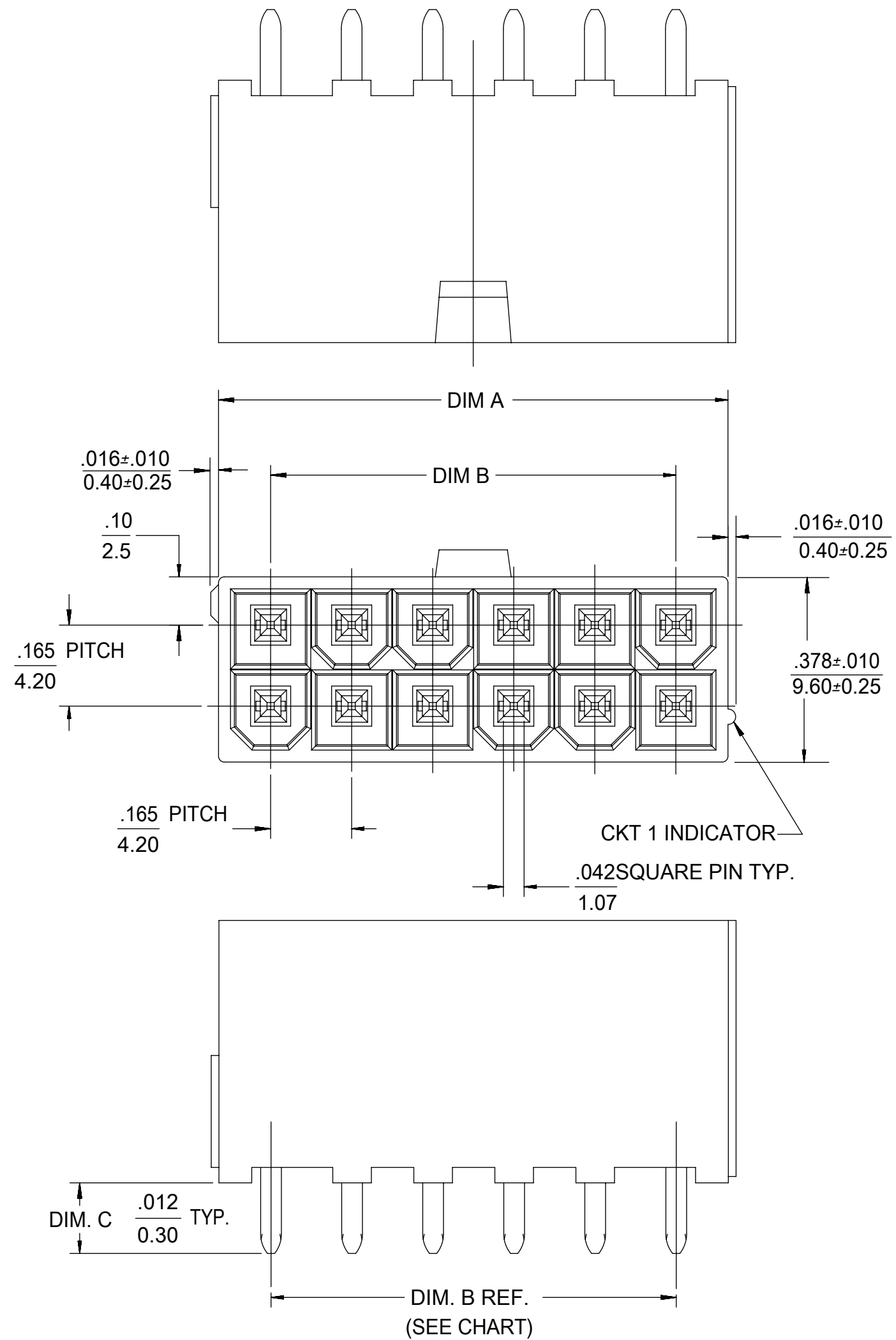




THE DATASHEET OF
462071006



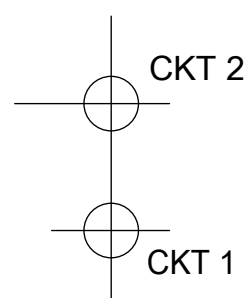
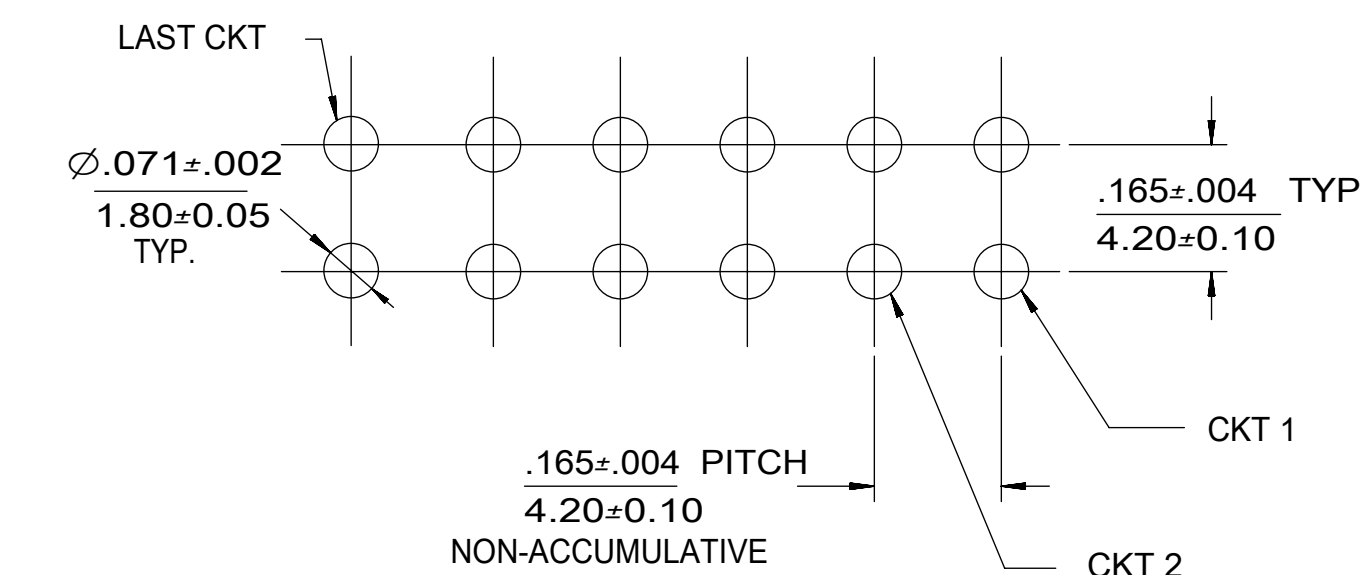


CKT SIZE	DIM. A	DIM. B
02	0.21/5.4	NA
04	0.38/9.6	0.165/4.20
06	0.54/13.8	0.331/8.40
08	0.71/18.0	0.496/12.60
10	0.87/22.2	0.661/16.80
12	1.04/26.4	0.827/21.00
14	1.21/30.6	0.992/25.20
16	1.37/34.8	1.160/29.40
18	1.54/39.0	1.323/33.60
20	1.70/43.2	1.488/37.80
22	1.87/47.4	1.654/42.00
24	2.03/51.6	1.819/46.20

ISOMETRIC VIEW
(12 CKT - SHOWN)

NOTES:

- MATERIALS:
HOUSING - GLASS FILLED LCP UL94V-0, COLOR: SEE CHART
TERMINAL - BRASS
- TERMINAL PLATING:
TIN= .000100/0.00254 MIN. MATTE TIN OVER
.000050/0.00127 MIN. NICKEL
GOLD=.000030/0.00076 MIN. SELECT GOLD OVER
.000100/0.00254 MIN. SELECT MATTE TIN
OVER .000050/0.00127 MIN. NICKEL OVERALL.
- PRODUCT SPECIFICATION: PS-5556-001 OR PS-45750-001
- PACKAGING SPECIFICATION: TRAY PACK PER: PK-46207-001 UNLESS NOTED.
TAPE AND REEL PACK PER: PK-46207-002
- PART MATES WITH MINIFIT JR RECEPTACLE SERIES 5557
- DISCOLORIZATION IN THE BANDOLIER CARRIER AREA OF THE PIN IS INHERENT TO THE PLATING PROCESS AND IS DUE TO THE MASKING EFFECT OF THE CARRIER. THIS DISCOLORIZATION IS A NON-FUNCTIONAL AREA OF THE PIN AND WILL NOT AFFECT THE PERFORMANCE OF THE HEADER ASSEMBLY.
- CONNECTORS ARE NOT TO BE MATED OR UNMATED WHILE CIRCUITS ARE LIVE.
- PARTS ARE NOT DESIGNED FOR CURRENT SHARING.
- THIS PART CONFORMS TO CLASS B REQUIREMENTS OF COSMETIC SPECIFICATION PS-45499-002.
- TEXT ON PART IS FOR REFERENCE ONLY. TEXT AND TEXT LOCATION MAY VARY DEPENDING ON PART NUMBER AND/OR TOOL.




LAYOUT FOR
2 CIRCUIT

LAYOUT FOR
4-24 CIRCUITS

RECOMMENDED PCB HOLE LAYOUT COMPONENT SIDE

QUALITY SYMBOLS		THIS DRAWING CONTAINS INFORMATION THAT IS PROPRIETARY TO MOLEX ELECTRONIC TECHNOLOGIES, LLC AND SHOULD NOT BE USED WITHOUT WRITTEN PERMISSION			
▽ = 0	REL 8 & 10 CKT TAPE	GENERAL TOLERANCES (UNLESS SPECIFIED)		DIMENSION UNITS	SCALE
▽ = 0	2017/09/22			IN/MM	4:1
▽ = 0	2017/10/18	MM	INCH	DRWN BY	DATE
▽ = 0	2017/10/23	4 PLACES ±	±	LSCHMIDT	2007/12/14
▽ = 0	EC NO: 122374	3 PLACES ±	± 0.005	CHK'D BY	DATE
▽ = 0	DRWN: AZAHIROVIC	2 PLACES ±	± 0.13 ± 0.01	JBELL	2007/12/17
▽ = 0	CHK'D: JBELL	1 PLACES ±	± 0.25 ±	APPR BY	DATE
▽ = 0	REV APPR: FSMITH	0 PLACES ±	±	FSMITHROEMER	2007/12/18
▽ = 0		ANGULAR TOL = 0.5		DRAWING SIZE	THIRD ANGLE PROJECTION
▽ = 0				C	⊕
▽ = 0		DRAFT WHERE APPLICABLE MUST REMAIN WITHIN DIMENSIONS			
RELEASE STATUS		RELEASE DATE		MODEL: EM-46207-1012	
46207		SEE CHART		GENERAL MARKET	
DOCUMENT NUMBER		DOC TYPE		DOC PART SHEET NUMBER	
SD-46207-002		PSD		000 1 OF 3	

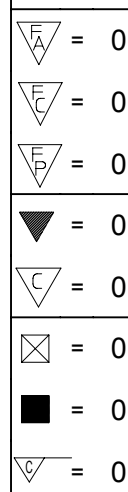


GOLD PLATING		COLOR=BLACK			
CKT SIZE	TAPE & REEL MATERIAL NUMBER	TRAY PACK MATERIAL NUMBER	DIM. C	PCB THK.	
02	462078002	462076002	0.144/3.66	0.062	
04	462078004	* 462076004	0.144/3.66	0.062	
06	462078006	462076006	0.144/3.66	0.062	
08	462078008	462076008	0.144/3.66	0.062	
10	462078010	462076010	0.144/3.66	0.062	
12	462078012	* 462076012	0.144/3.66	0.062	
14	462078014	* 462076014	* 0.144/3.66	0.062	
16	462078016	* 462076016	* 0.144/3.66	0.062	
18	462078018	* 462076018	* 0.144/3.66	0.062	
20	462078020	* 462076020	* 0.144/3.66	0.062	
22	462078022	* 462076022	* 0.144/3.66	0.062	
24	462078024	* 462076024	0.144/3.66	0.062	
02					
04					
06					
08					
10					
12					
14					
16					
18					
20					
22					
24					
02					
04					
06					
08					
10					
12					
14					
16					
18					
20					
22					
24					
02		462076602	* .278/7.06	0.250	
04		462076604	* .278/7.06	0.250	
06		462076606	* .278/7.06	0.250	
08		462076608	* .278/7.06	0.250	
10		462076610	* .278/7.06	0.250	
12		462076612	* .278/7.06	0.250	
14		462076614	* .278/7.06	0.250	
16		462076616	* .278/7.06	0.250	
18		462076618	* .278/7.06	0.250	
20		462076620	* .278/7.06	0.250	
22		462076622	* .278/7.06	0.250	
24		462076624	* .278/7.06	0.250	


 TRAY
 PACKAGED
 PER
 PK-5569-003

* DESIGNATES PART NOT RELEASED.
CONTACT FACTORY FOR AVAILABILITY.

TIN PLATING		COLOR=BLACK			
CKT SIZE	TAPE & REEL MATERIAL NUMBER	TRAY PACK MATERIAL NUMBER	DIM. C	PCB THK.	
02	462074002	462071002	0.144/3.66	0.062	
04	462074004	* 462071004	0.144/3.66	0.062	
06	462074006	462071006	0.144/3.66	0.062	
08	462074008	462071008	0.144/3.66	0.062	
10	462074010	462071010	0.144/3.66	0.062	
12	462074012	* 462071012	0.144/3.66	0.062	
14	462074014	* 462071014	* 0.144/3.66	0.062	
16	462074016	* 462071016	* 0.144/3.66	0.062	
18	462074018	* 462071018	* 0.144/3.66	0.062	
20	462074020	* 462071020	* 0.144/3.66	0.062	
22	462074022	* 462071022	* 0.144/3.66	0.062	
24	462074024	* 462071024	0.144/3.66	0.062	
02		462071102	0.176/4.46	0.093	
04		462071104	0.176/4.46	0.093	
06		462071106	0.176/4.46	0.093	
08		462071108	0.176/4.46	0.093	
10		462071110	0.176/4.46	0.093	
12		462071112	0.176/4.46	0.093	
14		462071114	* 0.176/4.46	0.093	
16		462071116	* 0.176/4.46	0.093	
18		462071118	* 0.176/4.46	0.093	
20		462071120	* 0.176/4.46	0.093	
22		462071122	* 0.176/4.46	0.093	
24		462071124	0.176/4.46	0.093	
02		462071202	0.207/5.26	0.125	
04		462071204	0.207/5.26	0.125	
06		462071206	0.207/5.26	0.125	
08		462071208	0.207/5.26	0.125	
10		462071210	0.207/5.26	0.125	
12		462071212	0.207/5.26	0.125	
14		462071214	* 0.207/5.26	0.125	
16		462071216	* 0.207/5.26	0.125	
18		462071218	* 0.207/5.26	0.125	
20		462071220	* 0.207/5.26	0.125	
22		462071222	* 0.207/5.26	0.125	
24		462071224	0.207/5.26	0.125	

* DESIGNATES PART NOT RELEASED.
CONTACT FACTORY FOR AVAILABILITY.

QUALITY SYMBOLS 	THIS DRAWING CONTAINS INFORMATION THAT IS PROPRIETARY TO MOLEX ELECTRONIC TECHNOLOGIES, LLC AND SHOULD NOT BE USED WITHOUT WRITTEN PERMISSION												
	REL 8 & 10 CKT TAPE EC NO: 122374 DRWN: AZAHIROVIC CHKD: JBELL REV APPR: FSMITH	GENERAL TOLERANCES (UNLESS SPECIFIED)				DIMENSION UNITS		SCALE		 MINI-FIT RTC HI-TEMP VERTICAL HEADER IN LCP, W/O PCB PEGS PRODUCT CUSTOMER DRAWING SERIES: 46207 MATERIAL NUMBER: SEE CHART CUSTOMER: GENERAL MARKET DOCUMENT NUMBER: SD-46207-002 DOC TYPE: PSD DOC PART: 000 SHEET NUMBER: 2 OF 3			
		MM		INCH		IN/MM		4:1					
		4 PLACES ±		±		DRWN BY		DATE					
		3 PLACES ±		± 0.005		LSCHMIDT		2007/12/14					
		2 PLACES ±		± 0.13 ± 0.01		CHK'D BY		DATE					
	1 PLACES ±		± 0.25 ±		JBELL		2007/12/17						
	0 PLACES ±		±		APPR BY		DATE						
	ANGULAR TOL = 0.5		DRAFT WHERE APPLICABLE MUST REMAIN WITHIN DIMENSIONS		FSMITHROEMER		2007/12/18						
	C		THIRD ANGLE PROJECTION		C								

Looking for pricing, stock, or lifecycle information?

Click below to explore more details on WIN SOURCE:

 [View 462071006 on WIN SOURCE](#)

 [Molex, LLC Information](#)

Optimize Your Supply Chain with WIN SOURCE Solutions

-  Global Sourcing Solution
-  Obsolete Management
-  Cost Control Management
-  Shortage Management
-  Alternative Solution
-  Excess Inventory Management