



**THE DATASHEET OF
EX-4543**

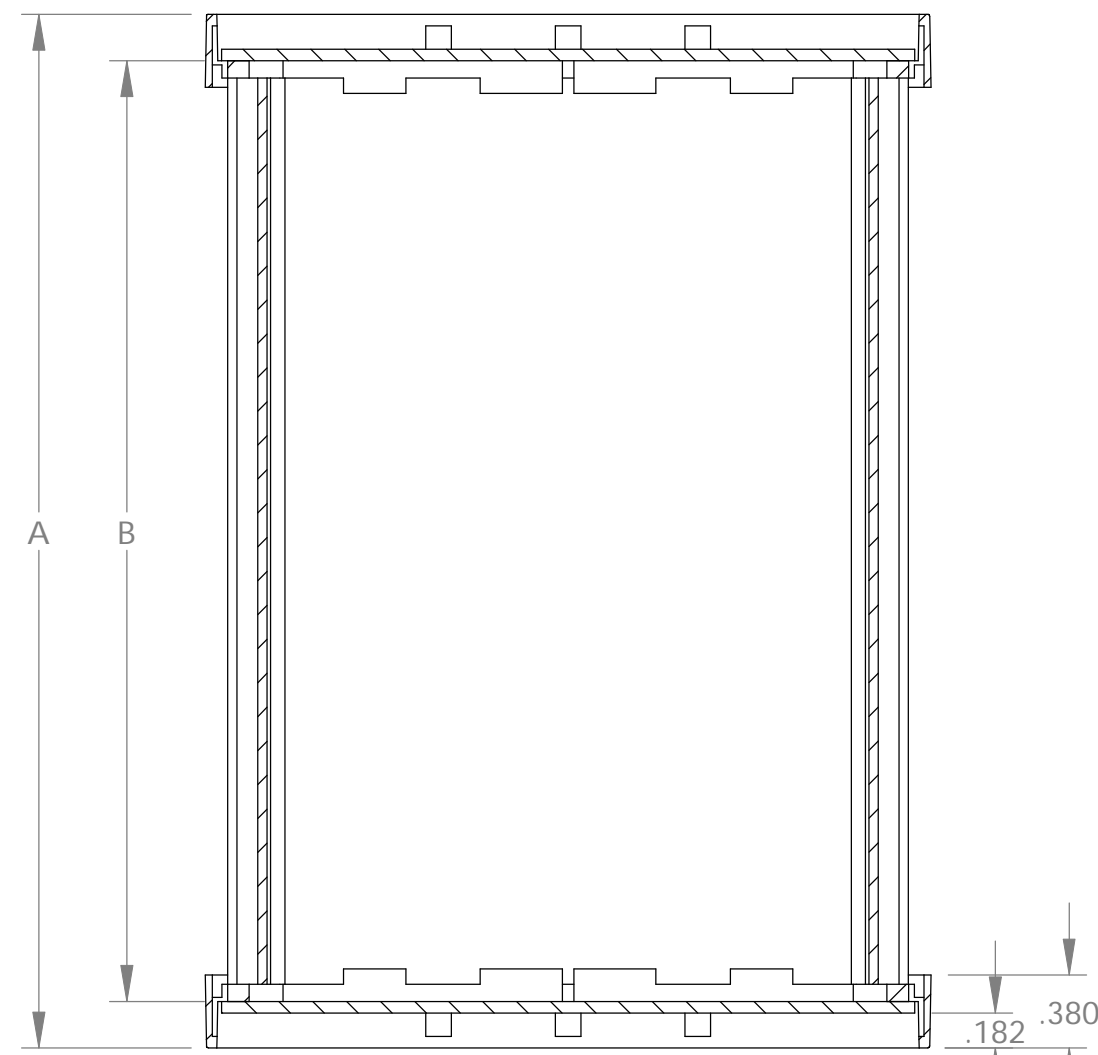
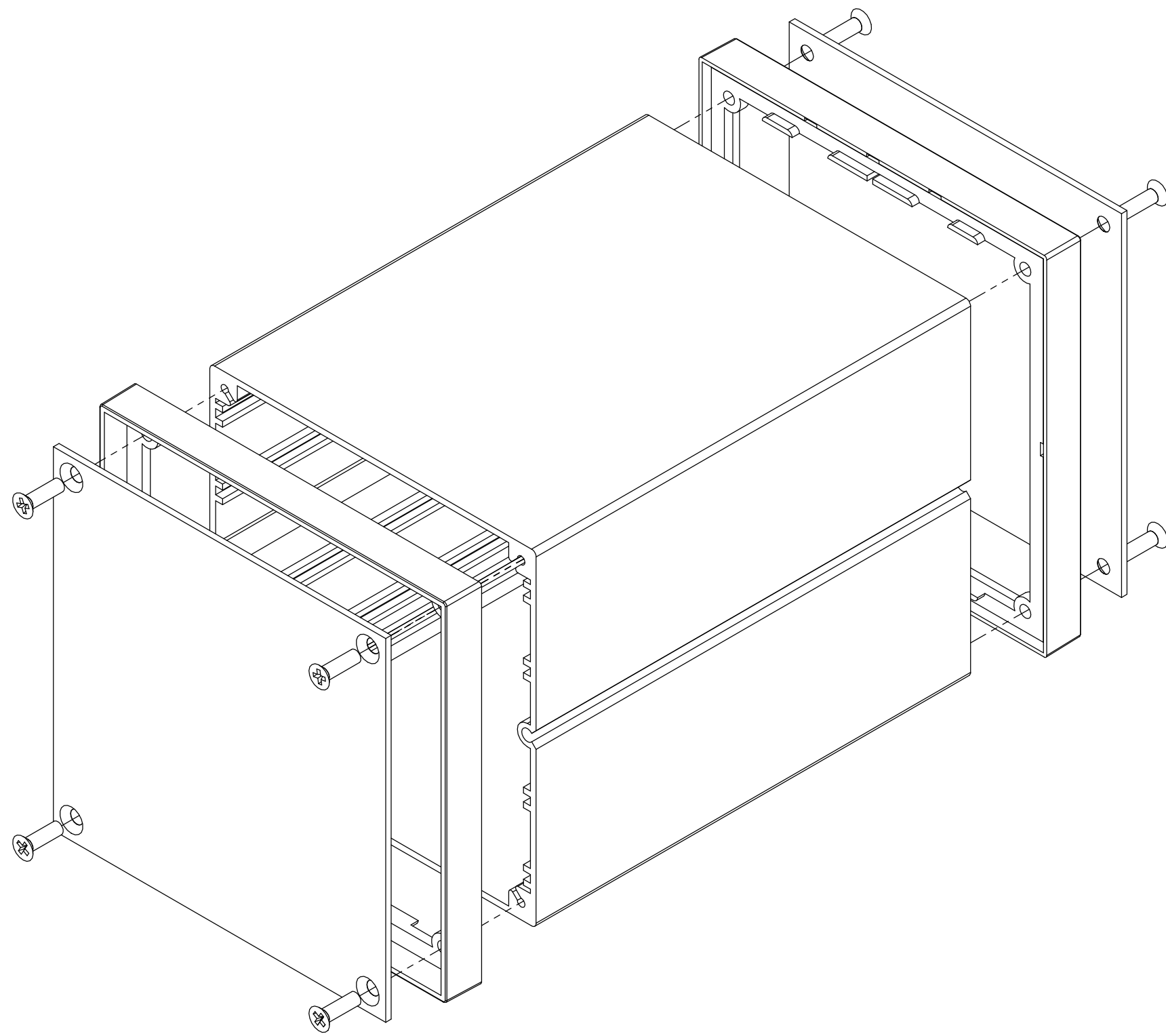


PART NAME

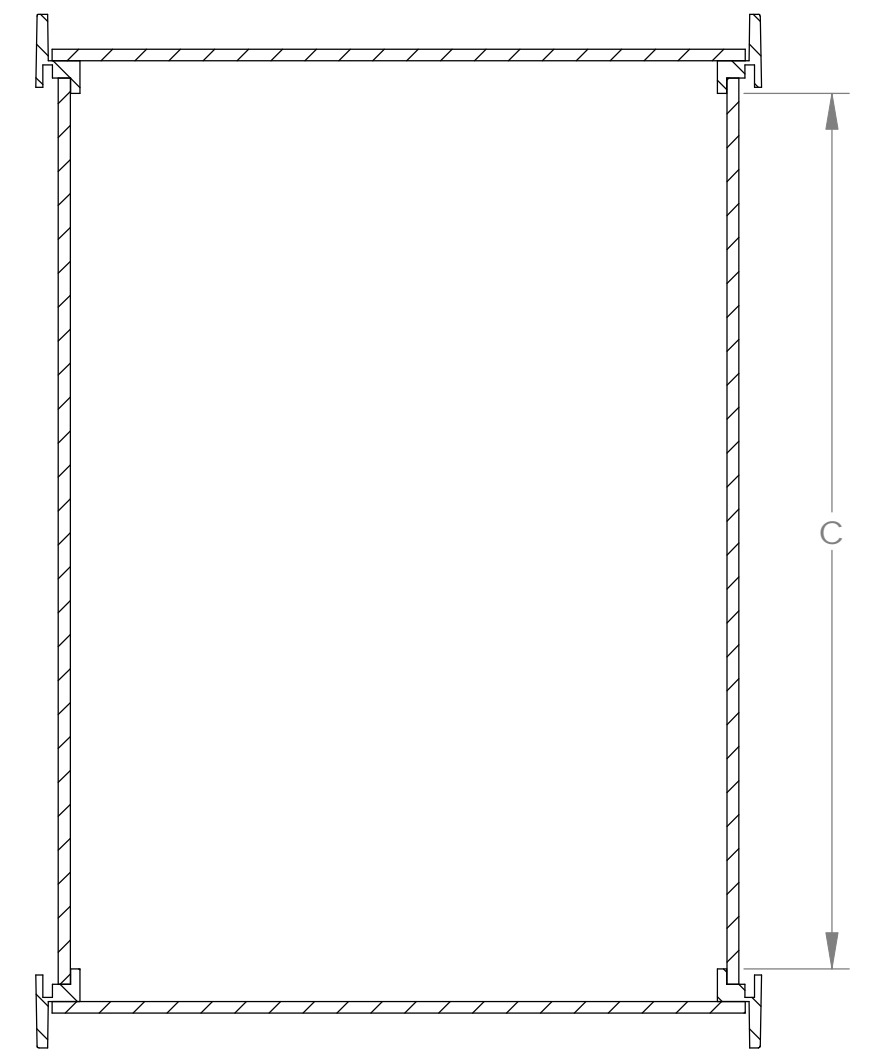
EXTRUDED ALUMINUM BOX

PART No.

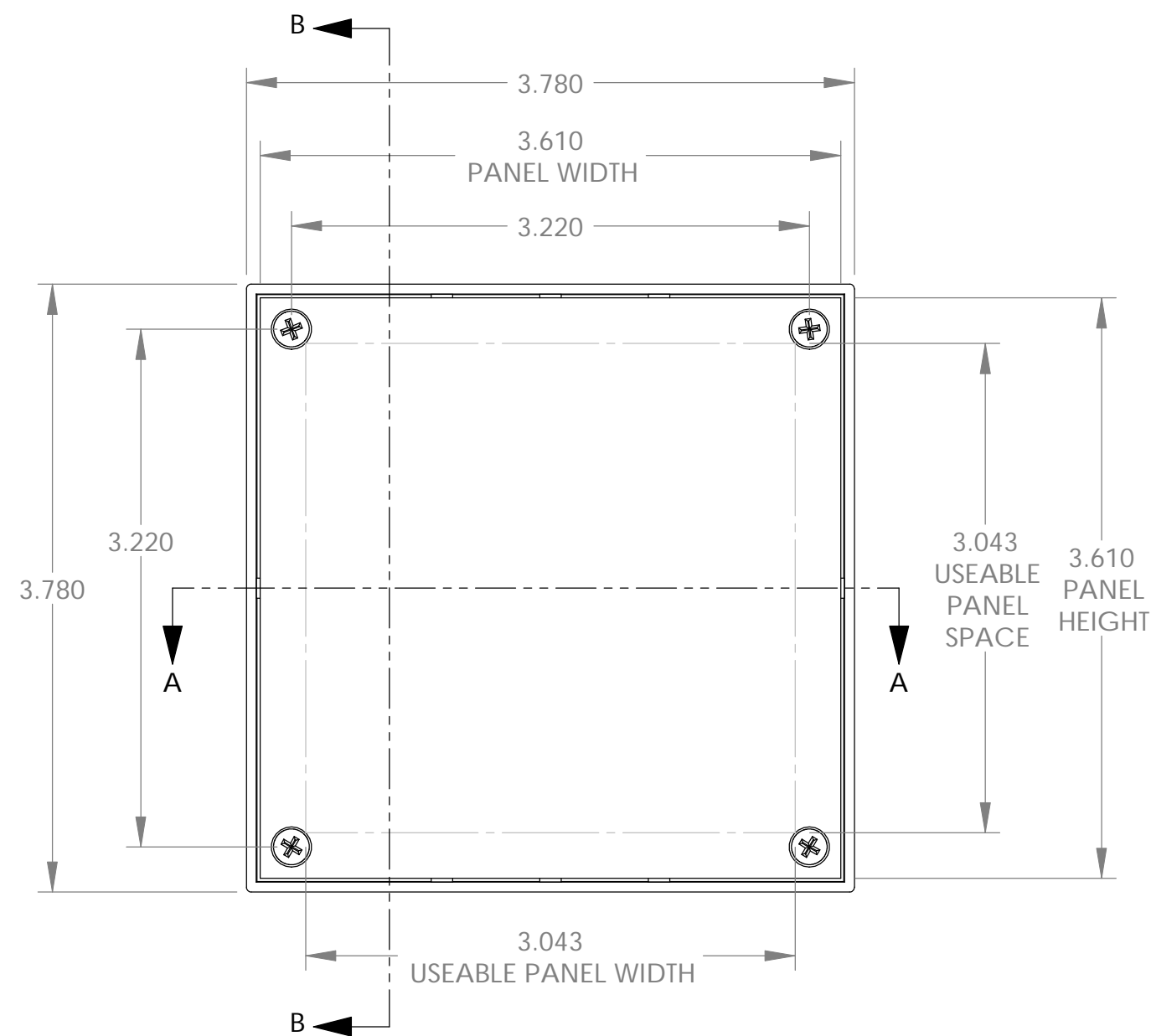
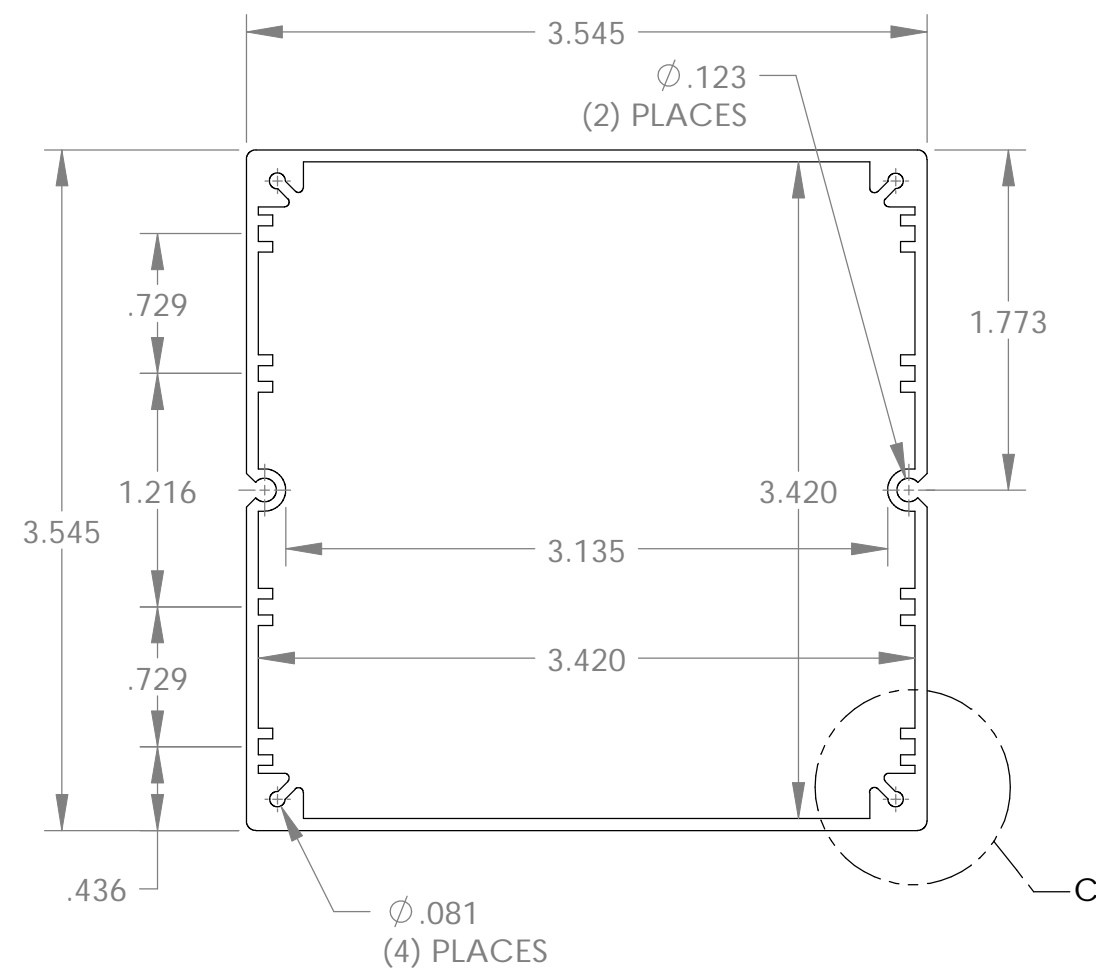
EX-4541 & EX-4542 & EX-4543



SECTION A-A



SECTION B-B

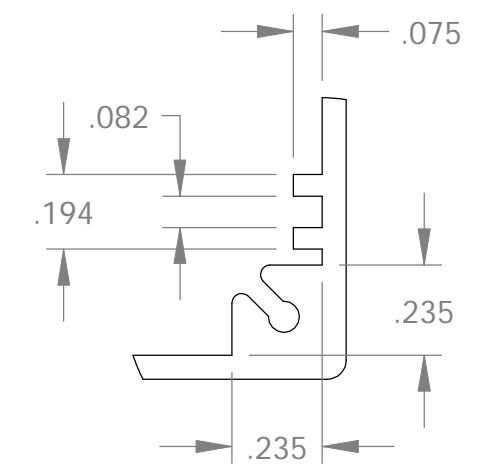


MATERIAL:
 BODY - ALUMINUM
 BEZEL - UL94V-0 ABS
 PANEL - .060 THK. ALUMINUM

FINISH:
 BODY - SILVER COATING
 BEZEL - BLACK
 PANEL - NATURAL

EIGHT (8) M3 x 10mm FLAT HEAD SCREWS SUPPLIED TO ATTACH END PANELS AND BEZELS TO BODY (ALTERNATE SCREW #4 x 5/8 FLAT HEAD THREAD CUTTING SCREWS CAN BE SUBSTITUTED)
 RECOMMEND INSERTION TORQUE 6-8 in-lbs.

ALL DIMENSIONS HAVE ±.015 TOLERANCE UNLESS OTHERWISE SPECIFIED



DETAIL C

PART No.	EXTERNAL		INTERNAL CLEARANCE	
	A	B	C	
EX-4541	5.38	4.90	4.56	
EX-4542	6.96	6.48	6.14	
EX-4543	9.32	8.84	8.50	

Looking for pricing, stock, or lifecycle information?

Click below to explore more details on WIN SOURCE:

 [View EX-4543](#) on WIN SOURCE

 [Bud Industries](#) Information

Optimize Your Supply Chain with WIN SOURCE Solutions

-  Global Sourcing Solution
-  Obsolete Management
-  Cost Control Management
-  Shortage Management
-  Alternative Solution
-  Excess Inventory Management