



**THE DATASHEET OF**  
**432498927**



NOTES:

- 1) MATERIAL:  
HOUSING: NYLON(IPAI), GLASS FILLED, UL94V-0, COLOR: BLACK  
INSULATOR: NYLON(IPAI), GLASS FILLED, UL94V-0, COLOR: BLACK  
TERMINALS: PHOSPHOR BRONZE, .012/(0.30) THICK  
SHIELD: BRASS, .007/(0.18) THICK
- 2) FINISH:  
TERMINALS:  
A = SELECT GOLD IN CONTACT AREA: 50 MICRONS / 1.27 MICROMETERS MIN.,  
\*SELECT TIN IN PC TAIL AREA: 100 MICRONS / 2.54 MICROMETERS MIN.,  
WITH OVERALL NICKEL UNDERPLATE: 50 MICRONS / 1.27 MICROMETERS MIN.  
B = SELECT GOLD IN CONTACT AREA: 30 MICRONS / 0.76 MICROMETERS MIN.,  
\*SELECT TIN IN PC TAIL AREA: 100 MICRONS / 2.54 MICROMETERS MIN.,  
WITH OVERALL NICKEL UNDERPLATE: 50 MICRONS / 1.27 MICROMETERS MIN.

SHIELD:

- \*100 MICRONS / 2.54 MICROMETERS NICKEL OVER 50 MICRONS / 1.27 MICROMETERS COPPER UNDERPLATE; PCB GROUND TABS DIPPED IN TIN
- \*THE PRIMARY SHIPPING CARTON WILL BE LABELED "COMPLIANT TO ROHS DIRECTIVE 2002/95/EC AND ELV ANNEX II OF DIRECTIVE 2000/53/EC". CARTONS WITHOUT THIS LABEL MAY CONTAIN PRODUCT WITH TIN-LEAD IN THE PC TAILS AND/OR SHIELD.

3) PRODUCT SPECIFICATION AND PROCESSING PARAMETERS: PS-43249.

4) PACKAGING SPECIFICATION:

- UNSHIELDED CONNECTOR ASSEMBLIES PACKAGED IN THERMOFORMED TRAYS PER MOLEX PACKAGING SPECIFICATION PK-43249-004.
- UNSHIELDED CONNECTOR ASSEMBLIES PACKAGED IN TUBES PER MOLEX PACKAGING SPECIFICATION PK-43249-005.
- SHIELDED CONNECTOR ASSEMBLIES PACKAGED IN THERMOFORMED TRAYS PER MOLEX PACKAGING SPECIFICATION PK-44050-004.

5) MATES WITH: MODULAR PLUGS THAT CONFORM TO FCC REGULATION PART 68.5.

6) SEE SHEET 3 FOR SHIELDED JACK ASSEMBLY.

7) SEE SHEETS 5 & 6 FOR P.C. BOARD LAYOUTS.

8) ALL UNTOLERANCED DIMENSIONS ARE SHOWN FOR REFERENCE ONLY.

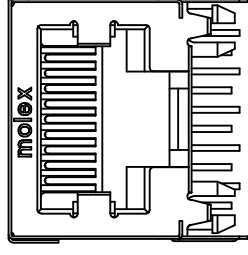
9) THIS PART CONFORMS TO CLASS B REQUIREMENTS OF COSMETIC SPECIFICATION PS-45499-002.

10) THIS PART CONFORMS TO FCC REGULATION 68.5 AND TIA 1096 FOR MODULAR JACKS.

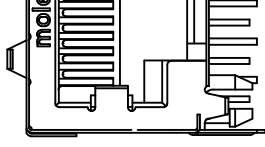
### DRAWING LEGEND

- SHEET 1- NOTES; GROUND TAB OPTIONS
- SHEET 2- UNSHIELDED MODULAR JACK
- SHEET 3- SHIELDED MODULAR JACK WITH OPTIONAL SIDE/TOP GROUND TABS & BOTTOM GROUND TAB WITH OPTIONAL POSITION.
- SHEET 4- PART NUMBER CHARTS
- SHEET 5- FOOTPRINT LAYOUT FOR 8 POSITION HOUSING
- SHEET 6- FOOTPRINT LAYOUT FOR 6 POSITION HOUSING

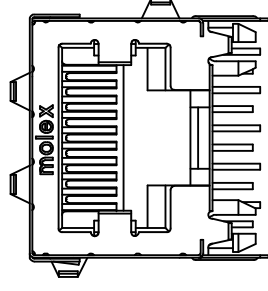
### SIDE/TOP GROUND TAB OPTIONS



OPTION "A"  
NO TOP OR SIDE TABS



OPTION  
TOP T

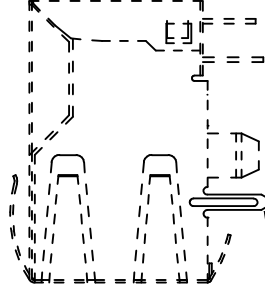


OPTION "C"

TOP AND STAGGERED SIDE TABS

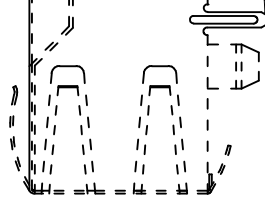
OPTION  
TOP AND S

### BOTTOM PCB GROUND TAB OPTIONS FOR SHIELDS



OPTION "E"

OPTIONAL FRONT POSITION



OPTION "F"

OPTIONAL REAR POSITION

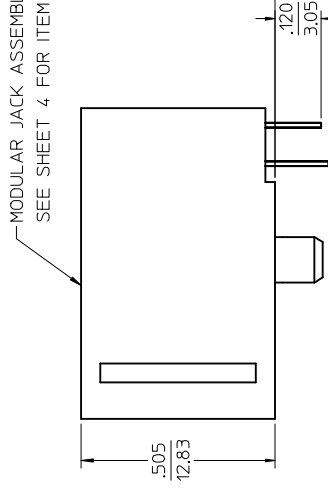
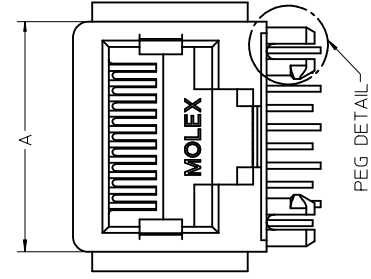
NOTE: EITHER PCB GROUND TAB OPTION IS AVAILABLE ON ALL SIDE/TOP TAB CONFIGURATIONS

EC NO: UCP2017-0615	DRWN:AFENG02	2016/09/20	CHGK:D	2016/09/28	APPR:KLANG	DESCRIPTION	REV
OBSOLETE PN							K2

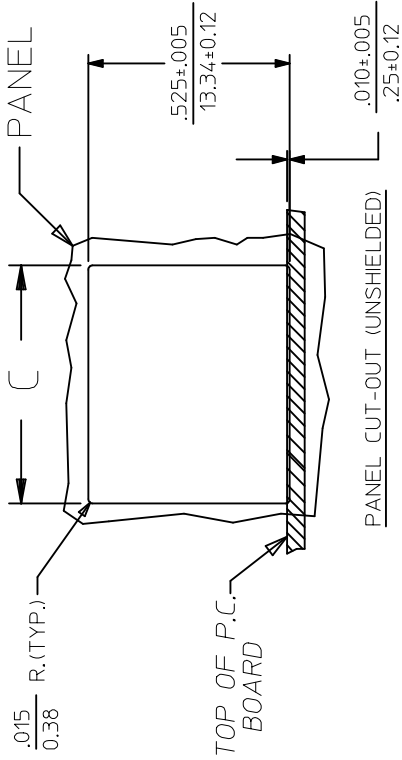
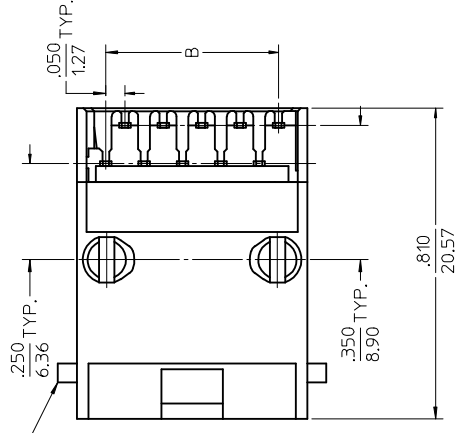
QUALITY SYMBOLS	GENERAL TOLERANCES (UNLESS SPECIFIED)	DIMENSION STYLE IN/MM
▲=0	4 PLACES ± .010	DRAWN BY DATE
▽=0	3 PLACES ± .010	JTR 1993/06/23
	2 PLACES ± 0.25	CHECKED BY DATE
	1 PLACE ± .010	JTR 1993/06/23
	ANGULAR ±1/2°	APPROVED BY DATE
		RAS 1993/06/23
	DRAFT WHERE APPLICABLE MUST REMAIN WITHIN DIMENSIONS	MATERIAL NO
		SEE SHEET 4
		THIS DRAWING CONTAINS INCORPORATED AND SH

# UNSHIELDED MODULAR JACK

8 POSITION LOADED 10 SIZE SHOWN



OPTIONAL FLANGE  
USED FOR FLUSH  
MODULAR JACK



HOUSING SIZE	CIRCUIT SIZE	DIM. A	DIM. B	DIM. C
8	10	.600±.005 (15.24±0.13)	.450±.005 (11.43±0.13)	.620±.005 (15.75±0.13)
8	8	.600±.005 (15.24±0.13)	.350±.005 (8.89±0.13)	.620±.005 (15.75±0.13)
8	4	.600±.005 (15.24±0.13)	.150±.005 (3.81±0.13)	.620±.005 (15.75±0.13)
8	6	.600±.005 (15.24±0.13)	.250±.005 (6.35±0.13)	.620±.005 (15.75±0.13)
6	6	.520±.005 (13.21±0.13)	.250±.005 (6.35±0.13)	.540±.005 (13.72±0.13)
6	4	.520±.005 (13.21±0.13)	.150±.005 (3.81±0.13)	.540±.005 (13.72±0.13)
6	2	.520±.005 (13.21±0.13)	.050±.005 (1.27±0.13)	.540±.005 (13.72±0.13)

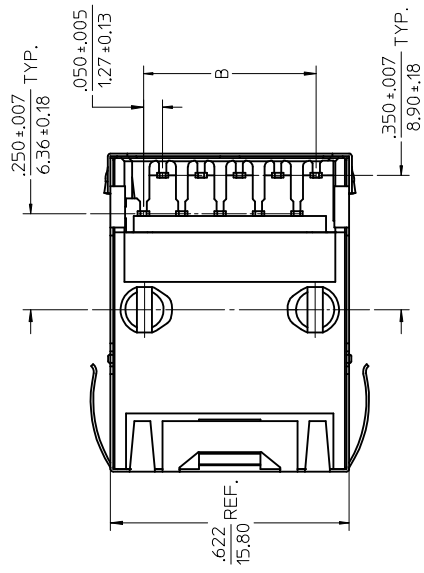
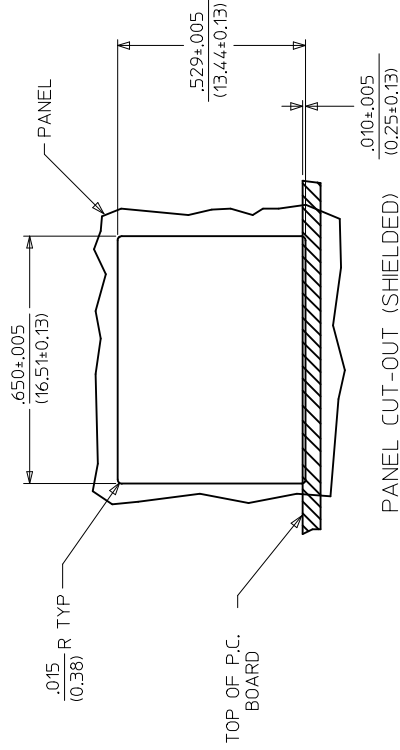
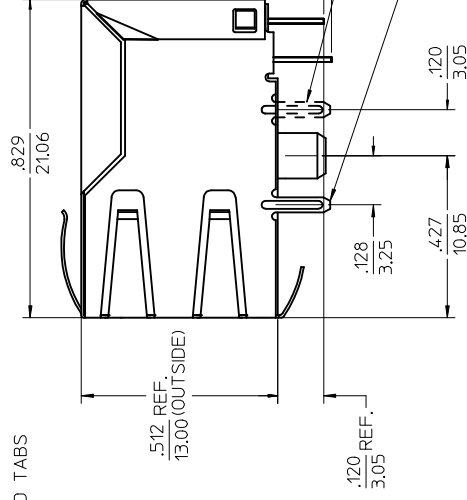
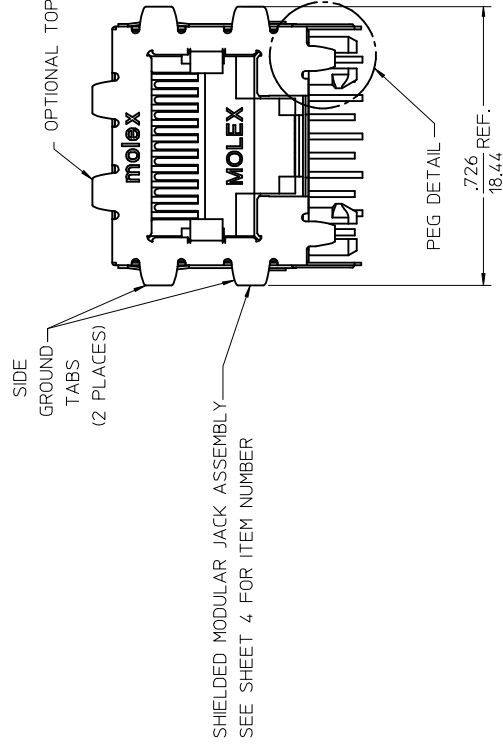
tb\_frames\_C.P.A.M.T  
Rev. E 2006/04/15

EC NO: UCP2017-0615	DRW: AFENG02	2016/09/20
CHKD:	APR: KLANG	2016/09/28
REV	DESCRIPTION	
K2		

QUALITY SYMBOLS	GENERAL TOLERANCES (UNLESS SPECIFIED)	DIMENSION STYLE
▶=0	mm ±---	IN/MM
▽=0	INCH ±---	DRAWN BY
	4 PLACES ±---	JTR
	3 PLACES ±---	CHECKED BY
	2 PLACES ±0.25 ±---	JTR
	1 PLACE ±---	APPROVED BY
	ANGULAR ±1/2°	RAS
	DRAFT WHERE APPLICABLE MUST REMAIN WITHIN DIMENSIONS	MATERIAL NO
		SEE SHEET 4
		THIS DRAWING CONTAINS INCORPORATED AND SH

# MODULAR JACK W/ .007" THICK SHIELD AND OPTIONAL GROUND TABS

8 LOADED 10 VERSION SHOWN WITH GROUND TAB OPTIONS "D" AND "E"



DESCRIPTION OF GROUND TAB OPTIONS:  
(SEE SHEET 4 FOR AVAILABLE COMBINATIONS OF OPTIONS)

GROUND TAB OPTION	DESCRIPTION
A	NO GROUND TABS
B	TOP TABS ONLY
C	STAGGERED SIDE TABS
D	TOP AND SIDE TABS
E	PCB GROUND TAB IN FRONT POSITION
F	PCB GROUND TAB IN REAR POSITION

HOUSING SIZE	CIRCUIT SIZE	B
8	10	.450±.005 11.43±0.13
8	8	.350±.005 8.89±0.13

QUALITY SYMBOLS	GENERAL TOLERANCES (UNLESS SPECIFIED)	DIMENSION STYLE
▲=0	mm ± ---	IN/MM
▽=0	INCH ± ---	
DESCRIPTION	4 PLACES ± ---	DRAWN BY
APR:KLANG	3 PLACES ± ---	JTR
2016/09/28	± .010	CHECKED BY
CHD:	2 PLACES ± 0.25	JTR
DRW:AFENG02	1 PLACE ± ---	APPROVED BY
2016/09/20	ANGULAR ±1/2°	RAS
EC NO: UCP2017-0615	DRAFT WHERE APPLICABLE MUST REMAIN WITHIN DIMENSIONS	MATERIAL NO
SEE SHEET 1		1993/06/23
K2		DATE
REV		1993/06/23
		DATE
		1993/06/23
		DATE
		1993/06/23
		DATE
		1993/06/23

tb\_frames\_C.P. AM T  
Rev. E 2006/04/15

SEE SHEET 4  
THIS DRAWING CONTAINS INCORPORATED AND S

FLUSH MOUNT (UNSHIELDED)

*X*=NOT TOOLED	ASSEMBLY ITEM NUMBER	CONNECTOR SIZE	NUMBER OF CIRCUITS	TERMINAL PLATING OPTION
X	43249-8001	8	10	A
	43249-8004	8	8	A
X	43249-8010	8	6	A
	43249-8001	6	6	A
X	43249-6004	6	4	A
X	43249-6007	6	2	A

FLANGELESS (UNSHIELDED)

*X*=NOT TOOLED	ASSEMBLY ITEM NUMBER	CONNECTOR SIZE	NUMBER OF CIRCUITS	TERMINAL PLATING OPTION
X	43249-8101	8	10	A
X	43249-8102	8	10	B
	43249-8104	8	8	A
X	43249-8105	8	8	B
X	43249-8116	8	6	A
X	43249-8119	8	4	A
	43249-6101	6	6	A
	43249-6104	6	4	A
X	43249-6107	6	2	A

FLANGELESS (UNSHIELDED)  
(SHIPPED IN TUBES)

X	43249-6501	6	6	A
X	43249-6504	6	4	A

SHIELDED, .007"

*X*=NOT TOOLED	ASSEMBLY ITEM NUMBER	CONN. SIZE	NUMBER OF CIRCUITS	TERMINAL PLATING OPTION	SIDE/TOP PANEL GROUND TAB OPTION
	43249-8900	8	10	A	A
X	43249-8901	8	10	A	B
X	43249-8902	8	10	A	C
X	43249-8903	8	10	A	D
	43249-8908	8	10	A	A
	43249-8909	8	10	A	B
X	43249-8910	8	10	A	C
	43249-8911	8	10	A	D
	43249-8916	8	8	A	A
	43249-8917	8	8	A	B
X	43249-8918	8	8	A	C
	43249-8919	8	8	A	D
X	43249-8920	8	8	B	A
	43249-8924	8	8	A	A
X	43249-8925	8	8	A	B
X	43249-8926	8	8	A	C
	43249-8927	8	8	A	D

REV DESCRIPTION

EC NO: UCP2017-0615  
 DRWN:AFENG02  
 CHKD:  
 APPR:KLANG  
 2016/09/28

SEE SHEET 1  
 K2

QUALITY SYMBOLS

▲=0  
 ▽=0

GENERAL TOLERANCES (UNLESS SPECIFIED)

4 PLACES	± .005	INCH
3 PLACES	± .010	
2 PLACES	± 0.25	
1 PLACE	± .005	
ANGULAR ±1/2°		

DRAFT WHERE APPLICABLE MUST REMAIN WITHIN DIMENSIONS

GENERAL TOLERANCES (UNLESS SPECIFIED)

4 PLACES	± .005	INCH
3 PLACES	± .010	
2 PLACES	± 0.25	
1 PLACE	± .005	
ANGULAR ±1/2°		

DRAFT WHERE APPLICABLE MUST REMAIN WITHIN DIMENSIONS

TERMINAL PLATING OPTION

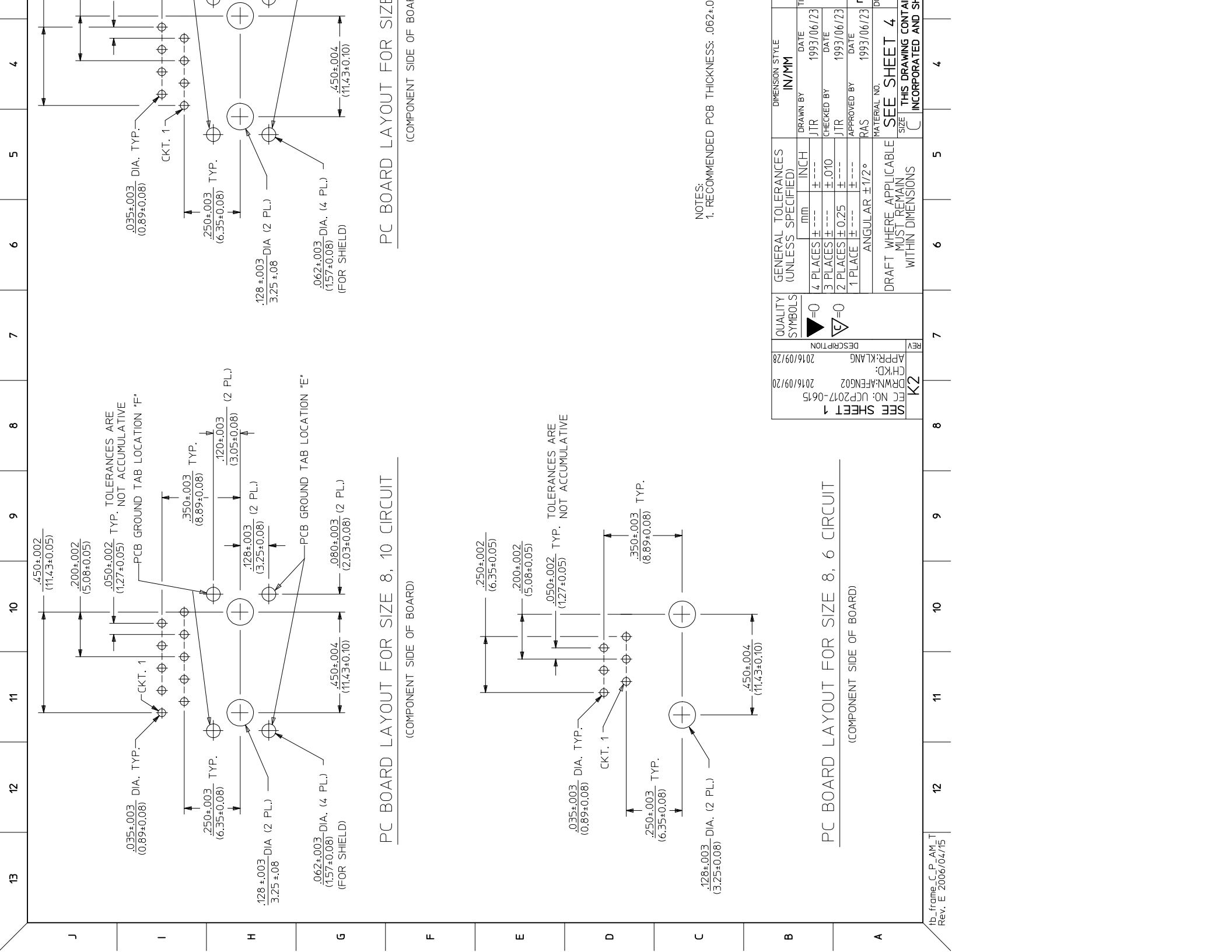
APPROVED BY: RAS  
 DATE: 1993/06/23

CHECKED BY: JTR  
 DATE: 1993/06/23

DRAWN BY: JTR  
 DATE: 1993/06/23

MATERIAL NO. SEE CHART

SIZE THIS DRAWING CONTAINS INCORPORATED AND SH



PC BOARD LAYOUT FOR SIZE 8, 10 CIRCUIT

(COMPONENT SIDE OF BOARD)

PC BOARD LAYOUT FOR SIZE 8, 10 CIRCUIT

(COMPONENT SIDE OF BOARD)

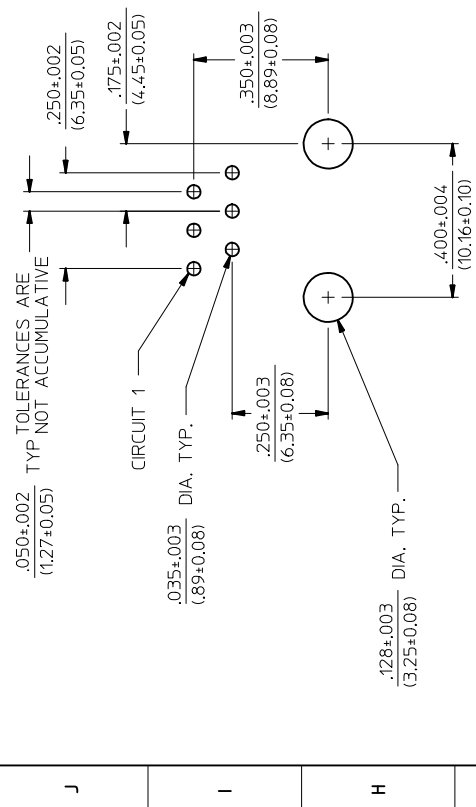
PC BOARD LAYOUT FOR SIZE 8, 6 CIRCUIT

(COMPONENT SIDE OF BOARD)

APP:KLANG 2016/09/28	DESCRIPTION	QUALITY SYMBOLS	GENERAL TOLERANCES (UNLESS SPECIFIED)	DIMENSION STYLE
CH:K		▷=0	MM INCH	IN/MM
DRW:AFENG02 2016/09/20		▽=0	4 PLACES ± ---	DRAWN BY DATE
EC NO: UCP2017-0615			3 PLACES ± ---	JTR 1993/06/23
SEE SHEET 1			2 PLACES ± 0.25 ± ---	CHECKED BY DATE
			1 PLACE ± --- ± ---	JTR 1993/06/23
			ANGULAR ±1/2°	APPROVED BY DATE
				RAS 1993/06/23
				MATERIAL NO
				SEE SHEET 4
				SIZE THIS DRAWING CONTAINED AND SH

NOTES:  
1. RECOMMENDED PCB THICKNESS: .062±.0

13 12 11 10 9 8 7 6 5 4

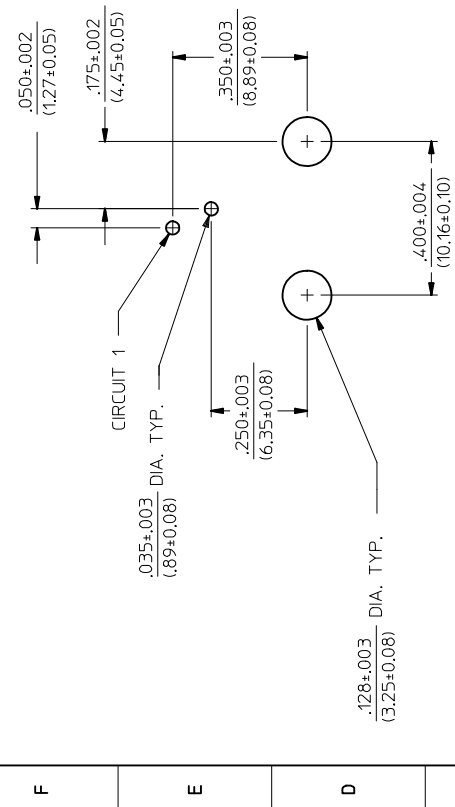


PC BOARD LAYOUT FOR SIZE 6, 6 CIRCUIT

(COMPONENT SIDE OF BOARD)

PC BOARD LAYOUT FOR SIZE 6, 2 CIRCUIT

(COMPONENT SIDE OF BOARD)



PC BOARD LAYOUT FOR SIZE 6, 2 CIRCUIT

(COMPONENT SIDE OF BOARD)

NOTES:  
1. RECOMMENDED PCB

APP: KLANG 2016/09/28	REV	DESCRIPTION	QUALITY SYMBOLS	GENERAL TOLERANCES (UNLESS SPECIFIED)	DIMENSION STYLE
CHKD: DRWN: AFENG02 2016/09/20	K2	SEE SHEET 1 FC NO: UCP2017-0615	<p>▷=0</p> <p>▽=0</p>	<p>4 PLACES ± --- INCH</p> <p>3 PLACES ± --- ± 0.10</p> <p>2 PLACES ± 0.25 ± ---</p> <p>1 PLACE ± --- ± ---</p> <p>ANGULAR ±1/2°</p>	<p>IN/MM</p> <p>DRAWN BY: JTR DATE: 1993/06/23</p> <p>CHECKED BY: JTR DATE: 1993/06/23</p> <p>APPROVED BY: RAS DATE: 1993/06/23</p> <p>MATERIAL NO.:</p>
<p>SEE SHEET 4</p> <p>SIZE THIS DRAWING CONTAINS</p> <p>INCORPORATED AND SH</p>			<p>DRAFT WHERE APPLICABLE MUST REMAIN WITHIN DIMENSIONS</p>		

tb\_frame\_C.P.AM.T  
Rev. E 2006/04/15

12 11 10 9 8 7 6 5 4

## Looking for pricing, stock, or lifecycle information?

Click below to explore more details on WIN SOURCE:

 [View 432498927 on WIN SOURCE](#)

 [Molex, LLC Information](#)

## Optimize Your Supply Chain with WIN SOURCE Solutions

-  Global Sourcing Solution
-  Obsolete Management
-  Cost Control Management
-  Shortage Management
-  Alternative Solution
-  Excess Inventory Management