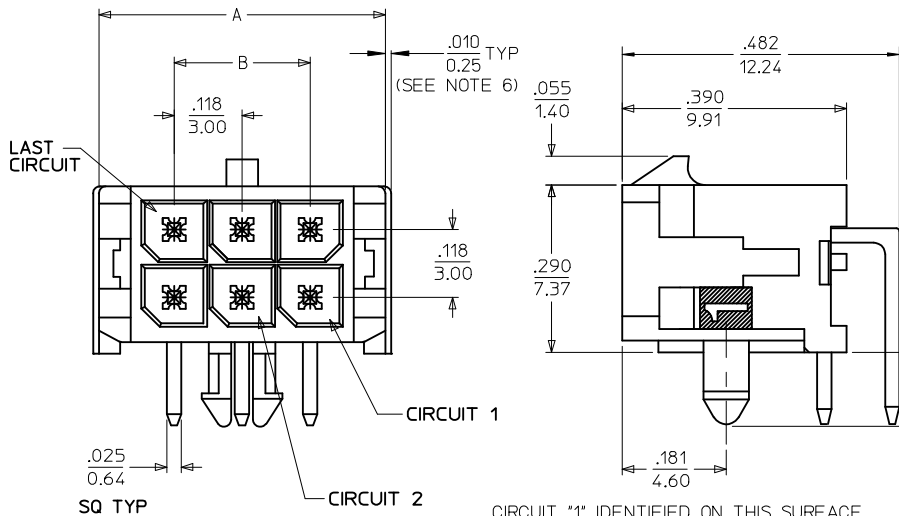
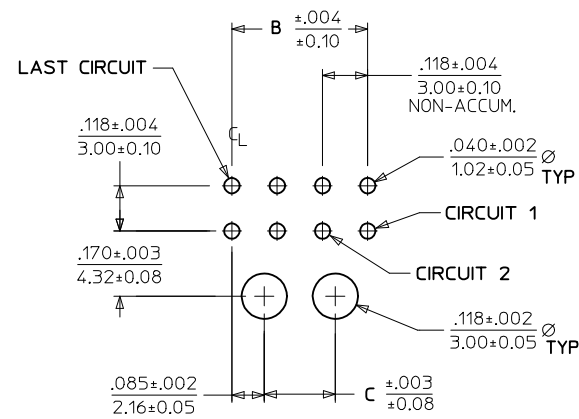
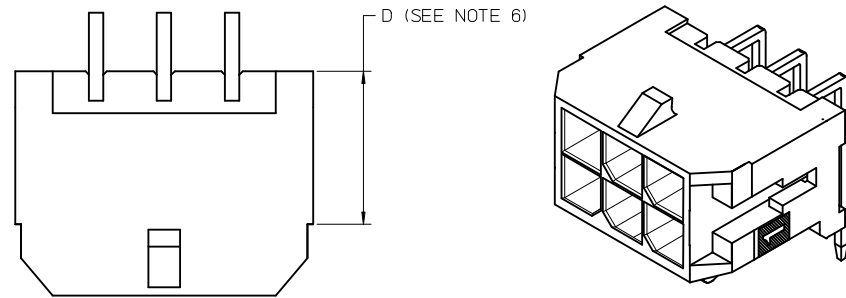


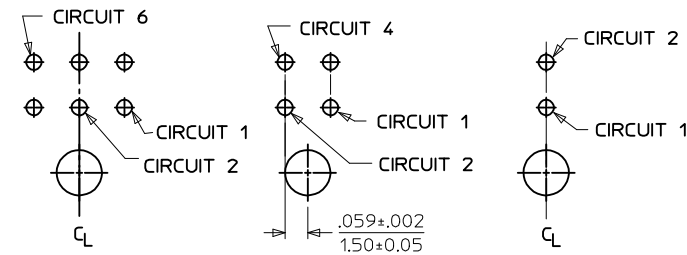


**THE DATASHEET OF**  
**430452400**





PCB LAYOUT: COMPONENT SIDE  
RECOMMEND PCB THICKNESS: .062/1.57



PCB LAYOUT: 6 CKT HEADER  
PCB LAYOUT: 4 CKT HEADER  
PCB LAYOUT: 2 CKT HEADER

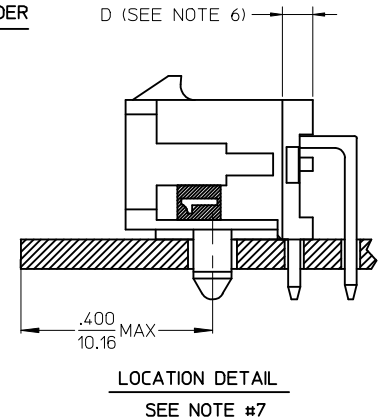
| CKTS | A              | B              | C              |
|------|----------------|----------------|----------------|
| 02   | .262<br>6.65   | NA             | NA             |
| 04   | .380<br>9.65   | .118<br>3.00   | NA             |
| 06   | .498<br>12.65  | .236<br>6.00   | NA             |
| 08   | .616<br>15.65  | .354<br>9.00   | .185<br>4.70   |
| 10   | .734<br>18.65  | .472<br>12.00  | .303<br>7.70   |
| 12   | .852<br>21.65  | .591<br>15.00  | .421<br>10.70  |
| 14   | .970<br>24.65  | .709<br>18.00  | .539<br>13.70  |
| 16   | 1.088<br>27.65 | .827<br>21.00  | .657<br>16.70  |
| 18   | 1.206<br>30.65 | .945<br>24.00  | .776<br>19.70  |
| 20   | 1.325<br>33.65 | 1.063<br>27.00 | .894<br>22.70  |
| 22   | 1.443<br>36.65 | 1.181<br>30.00 | 1.012<br>25.70 |
| 24   | 1.561<br>39.65 | 1.299<br>33.00 | 1.130<br>28.70 |

NOTES:

- HOUSING MATERIAL: GLASS FILLED LIQUID CRYSTAL POLYMER, UL94V-0. COLOR: BLACK  
TERMINAL MATERIAL: BRASS ALLOY
- FINISH: A = .000060/(0.00152) MIN. REFLOWED MATTE TIN OVER  
.000050/(0.00127) MIN. NICKEL PLATE.  
(FINISH IS BRIGHT IN APPEARANCE. THICKNESS AS APPLIED PRIOR TO REFLOW)  
B = .00015/(0.00038) MIN. SELECT GOLD IN CONTACT AREA;  
.000100/(0.00254) MIN. SELECT MATTE TIN ON SOLDER TAILS,  
BOTH OVER .000050/(0.00127) MIN. NICKEL PLATE.  
C = .000030/(0.00076) MIN. SELECT GOLD IN CONTACT AREA;  
.000100/(0.00254) MIN. SELECT MATTE TIN ON SOLDER TAILS,  
BOTH OVER .000050/(0.00127) MIN. NICKEL PLATE.  
D = .000100/(0.00254) MIN. MATTE TIN OVER  
.000050/(0.00127) MIN. NICKEL OVERALL
- PRODUCT SPECIFICATION: PS-43045
- TRAY PACKAGED : SEE MOLEX DRAWING PK-70873-0313
- MATES WITH MICRO FIT (3.0) RECEPTACLE SERIES 43025
- CIRCUIT SIZES 2-6: 'D' IS .265/6.74 FOR .010/0.25 STEP.  
CIRCUIT SIZES 8-24: 'D' IS .063/1.60 FOR .010/0.25 STEP.
- TO AVOID INTERFERENCE BETWEEN RECEPTACLE AND PCB, HEADER MUST BE PLACED WITHIN .400/(10.16) MAX. FROM EDGE OF PCB, AS SHOWN IN LOCATION DETAIL.
- THIS PART CONFORMS TO CLASS B REQUIREMENTS OF PRODUCT SPECIFICATION PS-45499-002.

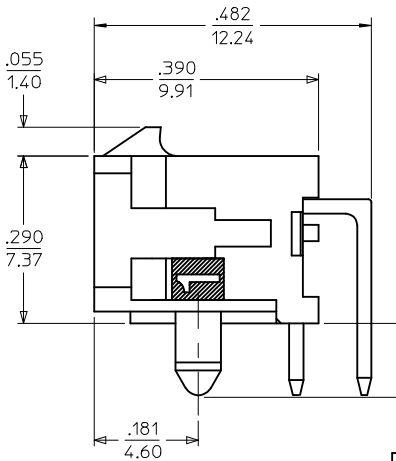
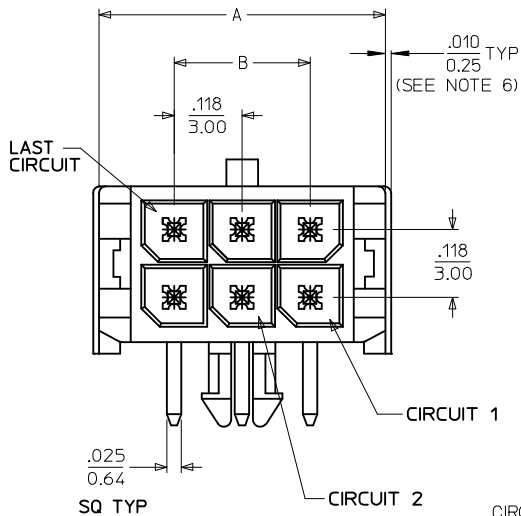
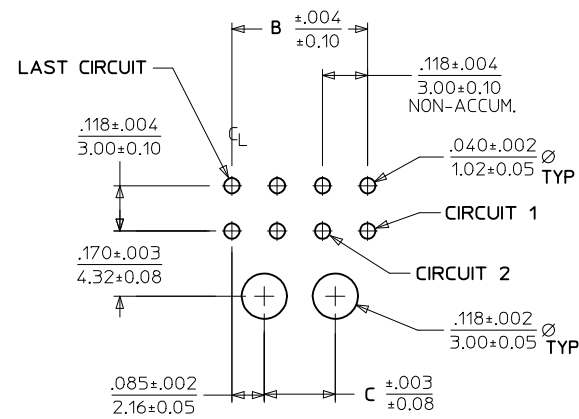
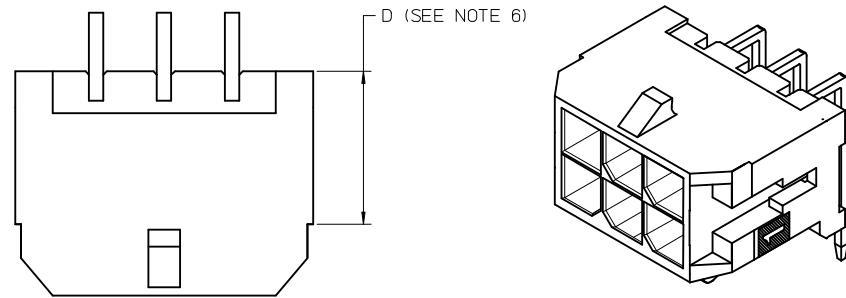
CIRCUIT \*1\* IDENTIFIED ON THIS SURFACE  
(APPROX. LOCATION SHOWN FOR REF.)

| CKTS | FINISH A<br>MATERIAL NO: | FINISH B<br>MATERIAL NO: | FINISH C<br>MATERIAL NO: | FINISH D<br>MATERIAL NO: |
|------|--------------------------|--------------------------|--------------------------|--------------------------|
| 02   | 43045-0200               | 43045-0201               | 43045-0202               | 43045-0310               |
| 04   | 43045-0400               | 43045-0401               | 43045-0402               | 43045-0510               |
| 06   | 43045-0600               | 43045-0601               | 43045-0602               | 43045-0710               |
| 08   | 43045-0800               | 43045-0801               | 43045-0802               | 43045-0910               |
| 10   | 43045-1000               | 43045-1001               | 43045-1002               | 43045-1110               |
| 12   | 43045-1200               | 43045-1201               | 43045-1202               | 43045-1310               |
| 14   | 43045-1400               | 43045-1401               | 43045-1402               | 43045-1510               |
| 16   | 43045-1600               | 43045-1601               | 43045-1602               | 43045-1710               |
| 18   | 43045-1800               | 43045-1801               | 43045-1802               | 43045-1910               |
| 20   | 43045-2000               | 43045-2001               | 43045-2002               | 43045-2110               |
| 22   | 43045-2200               | 43045-2201               | 43045-2202               | 43045-2310               |
| 24   | 43045-2400               | 43045-2401               | 43045-2402               | 43045-2510               |

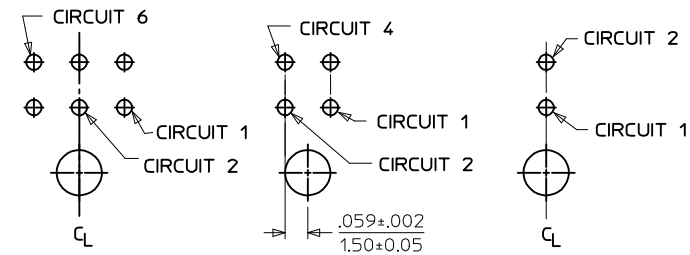


LOCATION DETAIL  
SEE NOTE #7

|  |                                      |   |   |   |                                     |                            |
|--|--------------------------------------|---|---|---|-------------------------------------|----------------------------|
| <b>FINISH A &amp; D</b><br>EC NO: UCP2016-4586<br>DRWIN:JDOFX 2015/12/10<br>CHKD:SSONSEK 2015/12/10<br>APPR:FSMITH 2016/08/23<br>(REV) | QUALITY SYMBOLS<br>▽=0<br>▽=0<br>▽=0 | GENERAL TOLERANCES (UNLESS SPECIFIED)<br>mm INCH<br>4 PLACES ± --- ± ---<br>3 PLACES ± --- ± .010<br>2 PLACES ± 0.25 ± .014<br>1 PLACE ± 0.36 ± ---<br>0 PLACE ± --- ± ---<br>ANGULAR ±1/2° | DIMENSION STYLE<br><b>IN/MM</b><br>DRAWN BY DATE<br>SAMIEC 2000/03/15<br>CHECKED BY DATE<br>MUELLER 2000/03/15<br>APPROVED BY DATE<br>FSMITH 2016/08/23 | SCALE<br>---<br>DESIGN UNITS<br><b>METRIC</b> | THIRD ANGLE PROJECTION              |                            |
|  |                                      | MICRO-FIT (3.0)<br>DUAL ROW RIGHT ANGLE<br>THRU HOLE HEADER ASS'Y<br><b>molex</b>   |   |   |                                     |                            |
|  |                                      | DRAFT WHERE APPLICABLE<br>MUST REMAIN WITHIN DIMENSIONS   |   | MATERIAL NO.<br><b>SEE CHART</b>              | DOCUMENT NO.<br><b>SD-43045-001</b> | SHEET NO.<br><b>1 OF 1</b> |
|  |                                      | THIS DRAWING CONTAINS INFORMATION THAT IS PROPRIETARY TO MOLEX<br>INCORPORATED AND SHOULD NOT BE USED WITHOUT WRITTEN PERMISSION  |   |   |                                     |                            |



PCB LAYOUT: COMPONENT SIDE  
RECOMMEND PCB THICKNESS: .062/1.57



PCB LAYOUT:  
6 CKT HEADER

PCB LAYOUT:  
4 CKT HEADER

PCB LAYOUT:  
2 CKT HEADER

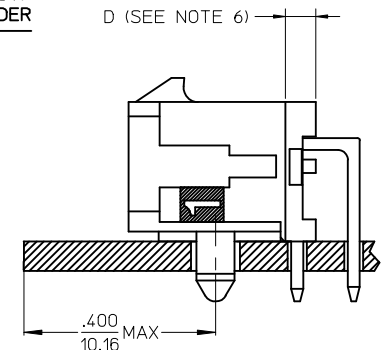
| CKTS | A              | B              | C              |
|------|----------------|----------------|----------------|
| 02   | .262<br>6.65   | NA             | NA             |
| 04   | .380<br>9.65   | .118<br>3.00   | NA             |
| 06   | .498<br>12.65  | .236<br>6.00   | NA             |
| 08   | .616<br>15.65  | .354<br>9.00   | .185<br>4.70   |
| 10   | .734<br>18.65  | .472<br>12.00  | .303<br>7.70   |
| 12   | .852<br>21.65  | .591<br>15.00  | .421<br>10.70  |
| 14   | .970<br>24.65  | .709<br>18.00  | .539<br>13.70  |
| 16   | 1.088<br>27.65 | .827<br>21.00  | .657<br>16.70  |
| 18   | 1.206<br>30.65 | .945<br>24.00  | .776<br>19.70  |
| 20   | 1.325<br>33.65 | 1.063<br>27.00 | .894<br>22.70  |
| 22   | 1.443<br>36.65 | 1.181<br>30.00 | 1.012<br>25.70 |
| 24   | 1.561<br>39.65 | 1.299<br>33.00 | 1.130<br>28.70 |

NOTES:

- HOUSING MATERIAL: GLASS FILLED LIQUID CRYSTAL POLYMER, UL94V-0, COLOR: BLACK  
TERMINAL MATERIAL: BRASS ALLOY
- FINISH: A = .000060/(0.00152) MIN. REFLOWED MATTE TIN OVER  
.000050/(0.00127) MIN. NICKEL PLATE.  
(FINISH IS BRIGHT IN APPEARANCE. THICKNESS AS APPLIED  
PRIOR TO REFLOW)  
B = .00015/(0.00038) MIN. SELECT GOLD IN CONTACT AREA;  
.000100/(0.00254) MIN. SELECT MATTE TIN ON SOLDER TAILS,  
BOTH OVER .000050/(0.00127) MIN. NICKEL PLATE.  
C = .000030/(0.00076) MIN. SELECT GOLD IN CONTACT AREA;  
.000100/(0.00254) MIN. SELECT MATTE TIN ON SOLDER TAILS;  
BOTH OVER .000050/(0.00127) MIN. NICKEL PLATE.  
D = .000100/(0.00254) MIN. MATTE TIN OVER  
.000050/(0.00127) MIN. NICKEL OVERALL
- PRODUCT SPECIFICATION: PS-43045
- TRAY PACKAGED : SEE MOLEX DRAWING PK-70873-0313
- MATES WITH MICRO FIT (3.0) RECEPTACLE SERIES 43025
- CIRCUIT SIZES 2-6: 'D' IS .265/6.74 FOR .010/0.25 STEP.  
CIRCUIT SIZES 8-24: 'D' IS .063/1.60 FOR .010/0.25 STEP.
- TO AVOID INTERFERENCE BETWEEN RECEPTACLE AND PCB, HEADER MUST BE PLACED  
WITHIN .400/(10.16) MAX. FROM EDGE OF PCB, AS SHOWN IN LOCATION DETAIL.
- THIS PART CONFORMS TO CLASS B REQUIREMENTS OF PRODUCT SPECIFICATION  
PS-45499-002.

CIRCUIT "1" IDENTIFIED ON THIS SURFACE  
(APPROX. LOCATION SHOWN FOR REF.)

|      | FINISH A     | FINISH B     | FINISH C     | FINISH D     |
|------|--------------|--------------|--------------|--------------|
| CKTS | MATERIAL NO: | MATERIAL NO: | MATERIAL NO: | MATERIAL NO: |
| 02   | 43045-0200   | 43045-0201   | 43045-0202   | 43045-0310   |
| 04   | 43045-0400   | 43045-0401   | 43045-0402   | 43045-0510   |
| 06   | 43045-0600   | 43045-0601   | 43045-0602   | 43045-0710   |
| 08   | 43045-0800   | 43045-0801   | 43045-0802   | 43045-0910   |
| 10   | 43045-1000   | 43045-1001   | 43045-1002   | 43045-1110   |
| 12   | 43045-1200   | 43045-1201   | 43045-1202   | 43045-1310   |
| 14   | 43045-1400   | 43045-1401   | 43045-1402   | 43045-1510   |
| 16   | 43045-1600   | 43045-1601   | 43045-1602   | 43045-1710   |
| 18   | 43045-1800   | 43045-1801   | 43045-1802   | 43045-1910   |
| 20   | 43045-2000   | 43045-2001   | 43045-2002   | 43045-2110   |
| 22   | 43045-2200   | 43045-2201   | 43045-2202   | 43045-2310   |
| 24   | 43045-2400   | 43045-2401   | 43045-2402   | 43045-2510   |



LOCATION DETAIL  
SEE NOTE #7

| FINISH A & D<br>EC NO: UCP2016-4586<br>DRWIN:JDOX 2015/12/10<br>CHKD:SSONSEK 2015/12/10<br>APPR:FSMITH 2016/08/23<br>(REV) | QUALITY SYMBOLS<br>▽=0<br>▽=0<br>▽=0 | GENERAL TOLERANCES (UNLESS SPECIFIED)<br><table border="1"> <tr> <th></th> <th>mm</th> <th>INCH</th> </tr> <tr> <td>4 PLACES</td> <td>± .005</td> <td>± .0002</td> </tr> <tr> <td>3 PLACES</td> <td>± .010</td> <td>± .0004</td> </tr> <tr> <td>2 PLACES</td> <td>± 0.25</td> <td>± .010</td> </tr> <tr> <td>1 PLACE</td> <td>± 0.36</td> <td>± .014</td> </tr> <tr> <td>0 PLACE</td> <td>± .005</td> <td>± .0002</td> </tr> </table> |                              | mm                  | INCH | 4 PLACES | ± .005 | ± .0002 | 3 PLACES | ± .010 | ± .0004 | 2 PLACES | ± 0.25 | ± .010 | 1 PLACE | ± 0.36 | ± .014 | 0 PLACE | ± .005 | ± .0002 | DIMENSION STYLE<br>IN/MM<br>DRAWN BY DATE<br>SAMIEC 2000/03/15<br>CHECKED BY DATE<br>MUELLER 2000/03/15<br>APPROVED BY DATE<br>FSMITH 2016/08/23 | SCALE<br>---<br>DESIGN UNITS<br>METRIC<br>THIRD ANGLE PROJECTION |
|--|--------------------------------------|---|------------------------------|---------------------|------|----------|--------|---------|----------|--------|---------|----------|--------|--------|---------|--------|--------|---------|--------|---------|--|--|
|  |                                      | mm  | INCH                         |                     |      |          |        |         |          |        |         |          |        |        |         |        |        |         |        |         |  |  |
|  | 4 PLACES                             | ± .005  | ± .0002                      |                     |      |          |        |         |          |        |         |          |        |        |         |        |        |         |        |         |  |  |
| 3 PLACES   | ± .010                               | ± .0004   |                              |                     |      |          |        |         |          |        |         |          |        |        |         |        |        |         |        |         |  |  |
| 2 PLACES   | ± 0.25                               | ± .010  |                              |                     |      |          |        |         |          |        |         |          |        |        |         |        |        |         |        |         |  |  |
| 1 PLACE  | ± 0.36                               | ± .014  |                              |                     |      |          |        |         |          |        |         |          |        |        |         |        |        |         |        |         |  |  |
| 0 PLACE  | ± .005                               | ± .0002   |                              |                     |      |          |        |         |          |        |         |          |        |        |         |        |        |         |        |         |  |  |
| DRAFT WHERE APPLICABLE<br>MUST REMAIN<br>WITHIN DIMENSIONS   |                                      | MATERIAL NO.<br>SEE CHART<br>SIZE C   | DOCUMENT NO.<br>SD-43045-001 | SHEET NO.<br>1 OF 1 |      |          |        |         |          |        |         |          |        |        |         |        |        |         |        |         |  |  |
| MICRO-FIT (3.0)<br>DUAL ROW RIGHT ANGLE<br>THRU HOLE HEADER ASS'Y<br><b>molex</b>  |                                      |   |                              |                     |      |          |        |         |          |        |         |          |        |        |         |        |        |         |        |         |  |  |

## Looking for pricing, stock, or lifecycle information?

Click below to explore more details on WIN SOURCE:

 [View 430452400 on WIN SOURCE](#)

 [Molex, LLC Information](#)

## Optimize Your Supply Chain with WIN SOURCE Solutions

-  Global Sourcing Solution
-  Obsolete Management
-  Cost Control Management
-  Shortage Management
-  Alternative Solution
-  Excess Inventory Management