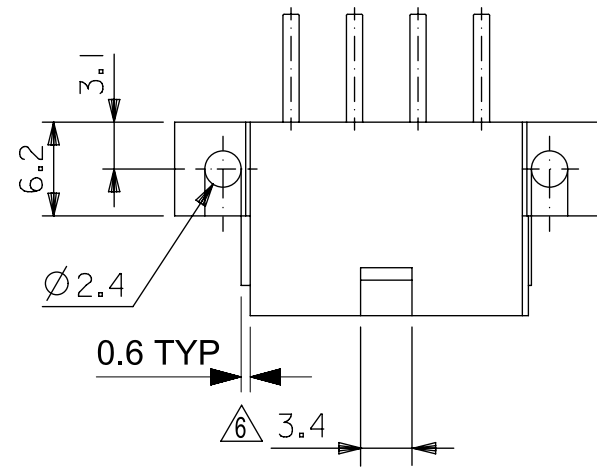




**THE DATASHEET OF**  
**39291048**

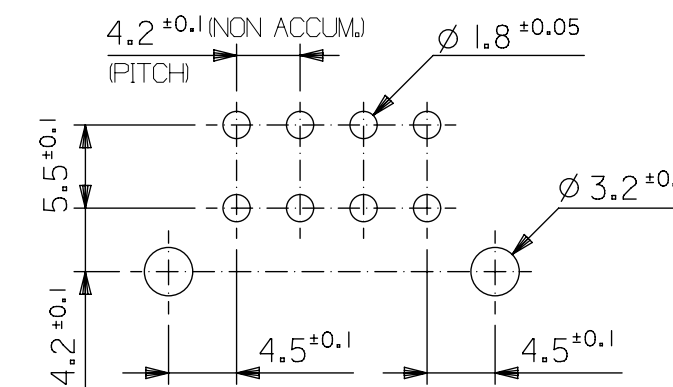
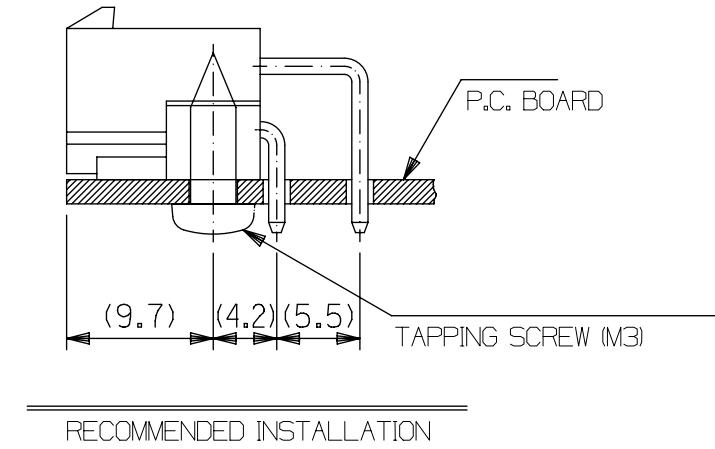
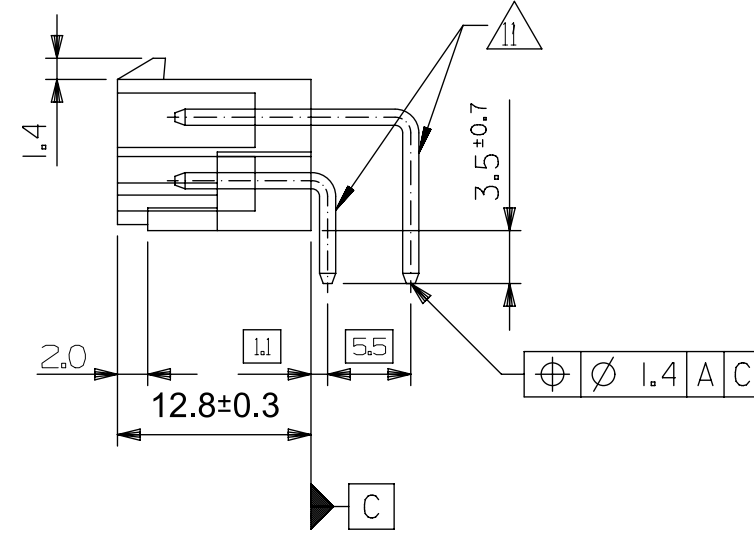
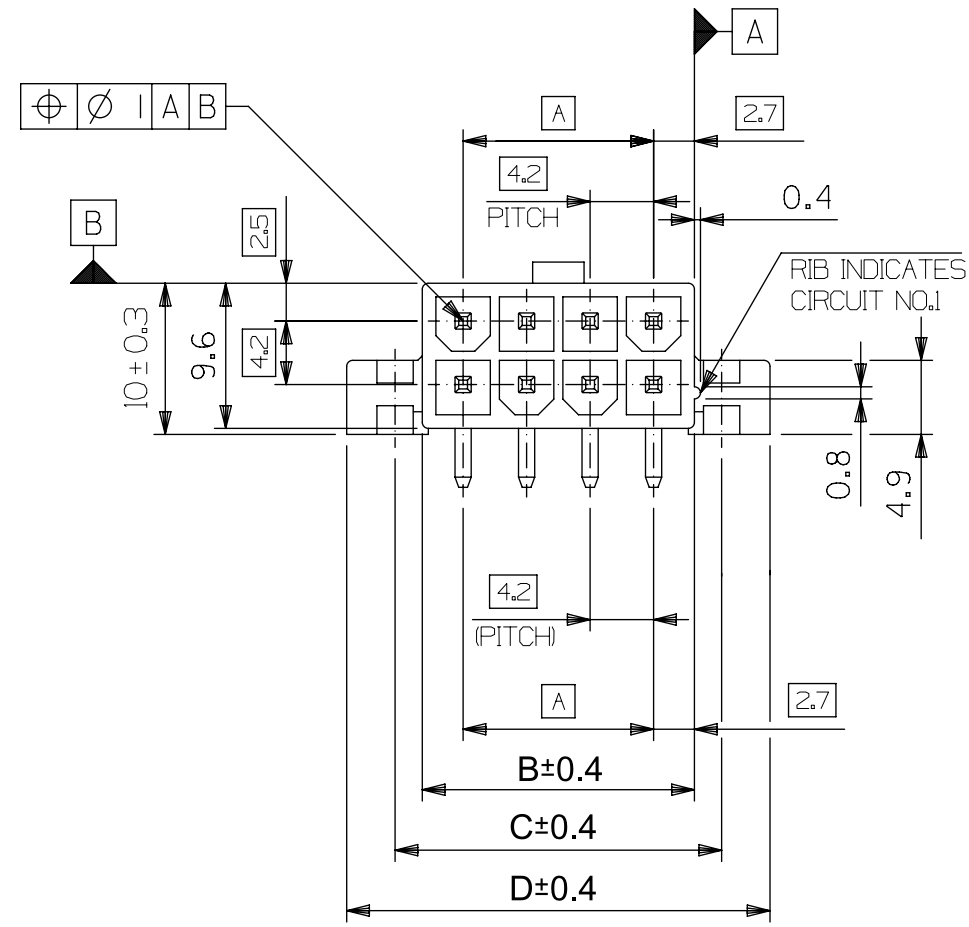


ENG. NO.	HEADER MATERIAL	FINISH OF PIN
5569-NA1	NYLON 66, UL94V-2, COLOR: NATURAL	MATTE TIN 2.54µm MIN. OVER NICKEL 1.27µm MIN.
▲ -NA1-T	NYLON 66, UL94V-2, COLOR: NATURAL	
-NA1-210	NYLON 66, UL94V-0, COLOR: NATURAL	
-NA1-210-T	NYLON 66, UL94V-0, COLOR: NATURAL	
-NA1-400	NYLON 66, UL94V-0, COLOR: BLACK	
-NAG1	NYLON 66, UL94V-2, COLOR: NATURAL	GOLD 0.76µm MIN. AND TIN OVER 2.54µm MIN. OVER NICKEL 1.27µm MIN.
-NA1G-T	NYLON 66, UL94V-2, COLOR: NATURAL	
-NAG1-210	NYLON 66, UL94V-0, COLOR: NATURAL	
-NA1G-210-T	NYLON 66, UL94V-0, COLOR: NATURAL	
-NA1G-400	NYLON 66, UL94V-0, COLOR: BLACK	GOLD 0.38µm MIN. AND TIN OVER 2.54µm MIN. OVER NICKEL 1.27µm MIN.
-NAIGS2	NYLON 66, UL94V-2, COLOR: NATURAL	
-NAIGS2-210	NYLON 66, UL94V-0, COLOR: NATURAL	
-NAIGS3	NYLON 66, UL94V-2, COLOR: NATURAL	GOLD 1.27µm MIN. AND TIN OVER 2.54µm MIN. OVER NICKEL 1.27µm MIN.
5569-NAIGS3-210	NYLON 66, UL94V-0, COLOR: NATURAL	

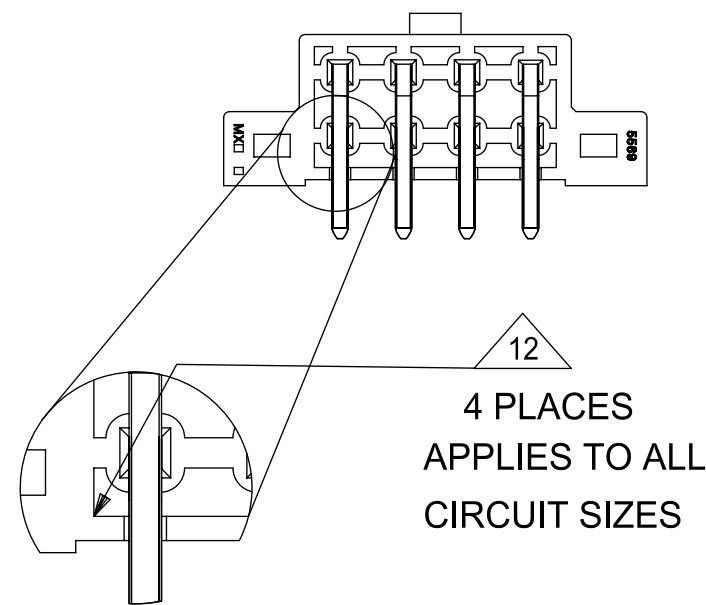


NOTES:

- MATERIAL:  
HOUSING MATERIAL: SEE CHART  
TERMINAL MATERIAL: BRASS ALLOY
- FINISH: SEE CHART
- PRODUCT SPECIFICATION: PS-5556-001
- PACKAGING SPECIFICATION: SEE CHART  
BULK PACKED PER 55690001-PK OR PK-5569-002  
TRAY PACKED PER PK-5569-004, 39295083 IS TRAY PACKED
- MATES WITH 5557 SERIES MINIFIT JR RECEPTACLE
- FOR THE 2 CIRCUITS HEADER, THIS DIMENSION IS 4.2 MM
- DISCOLORATION IN THE BANDOLIER CARRIER AREA OF THE PIN IS INHERENT TO THE PLATING PROCESS AND IS DUE TO THE MASKING EFFECT OF THE CARRIER. THIS DISCOLORATION IS IN A NON-FUNCTIONAL AREA OF THE PIN AND WILL NOT AFFECT THE PERFORMANCE OF THE HEADER ASSEMBLY.
- PARTS ARE NOT DESIGNED FOR CURRENT SHARING.
- CONNECTORS ARE NOT TO BE MATED OR UNMATED WHILE CIRCUITS ARE LIVE.
- CONFORMS TO CLASS "B" REQUIREMENTS OF COSMETIC SPECIFICATION PS-45499-002.
- FORMING MARKS ON PINS ARE ACCEPTABLE.
- CORNER CORE-OUTS ARE OPTIONAL AND MAY OR MAY NOT BE PRESENT.
- TEXT ON PART IS FOR REFERENCE ONLY. TEXT AND TEXT LOCATION MAY VARY DEPENDING ON PART NUMBER AND/OR TOOL.

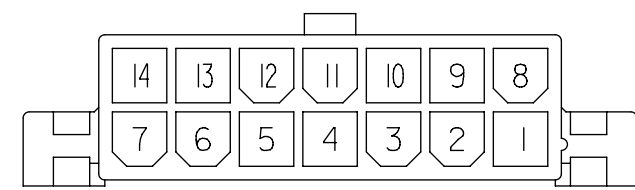


RECOMMENDED PCB HOLE LAYOUT  
VIEWED FROM COMPONENT SIDE  
1.78 MAX. THICK P.C. BOARD

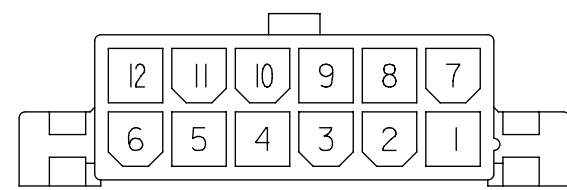


61.6	55.2	51.6	46.2	24
57.4	51	47.4	42	22
53.2	46.8	43.2	37.8	20
49	42.6	39	33.6	18
44.8	38.4	34.8	29.4	16
40.6	34.2	30.6	25.2	14
36.4	30	26.4	21	12
32.2	25.8	22.2	16.8	10
28	21.6	18	12.6	8
23.8	17.4	13.8	8.4	6
19.6	13.2	9.6	4.2	4
15.4	9	5.4	—	2
D	C	B	A	NO. OF CIRCUITS

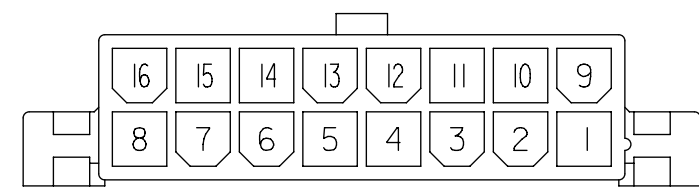
THIS DRAWING CONTAINS INFORMATION THAT IS PROPRIETARY TO MOLEX ELECTRONIC TECHNOLOGIES, LLC AND SHOULD NOT BE USED WITHOUT WRITTEN PERMISSION												
SYMBOLS		DIMENSION UNITS		SCALE		CURRENT REV DESC: MIGRATE TO ECTR						
▲ = 0	▼ = 0	MM ONLY		2:1		<b>molex</b> MINI FIT JR RIGHT ANGLE HEADER ASSY WITH FLANGES PRODUCT CUSTOMER DRAWING						
▽ = 0	▽ = 0	GENERAL TOLERANCES (UNLESS SPECIFIED)										
▽ = 0	▽ = 0	4 PLACES	±	MM	±	INCH	±	EC NO: 172489	2018/02/16			
▽ = 0	▽ = 0	3 PLACES	±	MM	±	INCH	±	DRWN: ANESSER	2018/02/20			
▽ = 0	▽ = 0	2 PLACES	±	0.2	±	INCH	±	CHK'D: JBELL	2018/02/22			
▽ = 0	▽ = 0	1 PLACE	±	0.38	±	INCH	±	APPR: FSMITH	2018/02/22			
▽ = 0	▽ = 0	0 PLACES	±	INCH	±	INCH	±	INITIAL REVISION:				
▽ = 0	▽ = 0	ANGULAR TOL	±	3.0°				DRWN: H. HIRAMOTO	1990/04/23			
▽ = 0	▽ = 0	DRAFT WHERE APPLICABLE MUST REMAIN WITHIN DIMENSIONS		THIRD ANGLE PROJECTION		DRAWING		APPR: M. ENOMOTO	1991/07/04			
▽ = 0	▽ = 0			C-SIZE		SERIES		5569				
DOCUMENT STATUS		P1	RELEASE DATE	2018/02/22	21:31:17	MATERIAL NUMBER		SEE CHART	CUSTOMER	GENERAL MARKET	SHEET NUMBER	1 OF 2
DOCUMENT NUMBER		SD-5569-002		DOC TYPE		DOC PART		REVISION		PSD 000 N1		



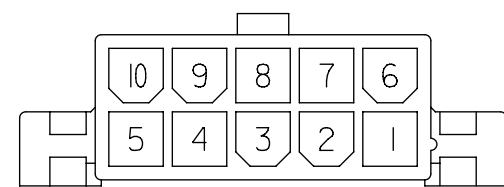
14 CKTS.



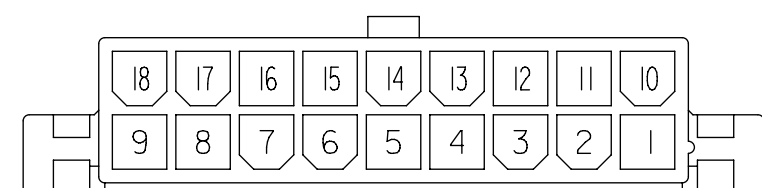
12 CKTS.



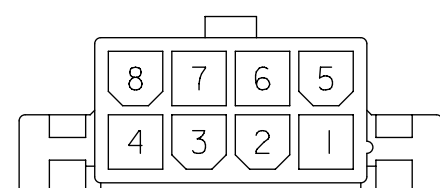
16 CKTS.



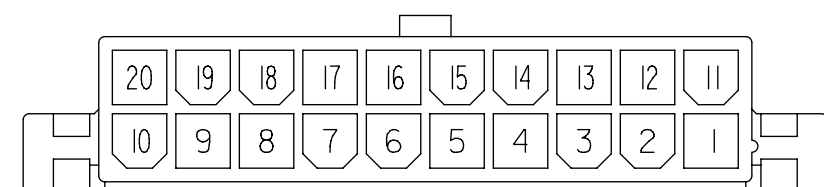
10 CKTS.



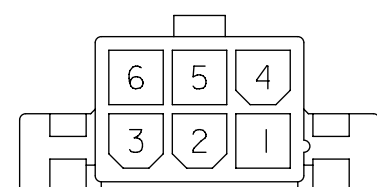
18 CKTS.



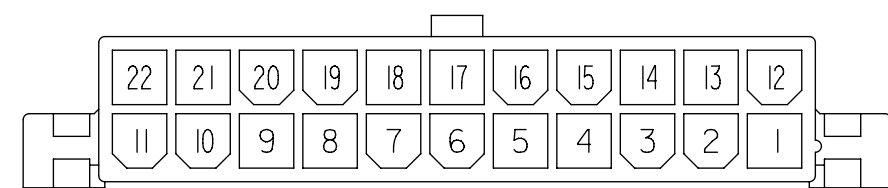
8 CKTS.



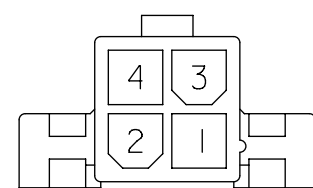
20 CKTS.



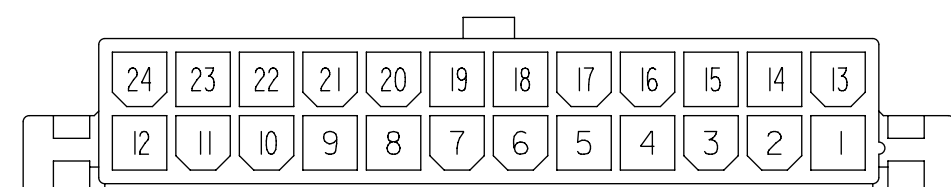
6 CKTS.



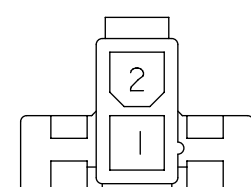
22 CKTS.



4 CKTS.



24 CKTS.



2 CKTS.

CIRCUIT SIZE LAYOUT  
(SCALE 2:1)

TRAY PACKED					BULK PACKED					
EDP NO.	ENG. NO.	EDP NO.	ENG. NO.	CIRCUIT SIZE	EDP NO.	ENG. NO.	EDP NO.	ENG. NO.	CIRCUIT SIZE	
46999-0859	5569-24A1G-210-T	46999-0835	5569-24A1-210-T	24	39-29-4249	5569-24AG1-210	39-29-1247	5569-24A1-210	24	
▲ -0858	▲ -22A1G-210-T	▲ -0834	▲ -22A1-210-T	22	▲ -4229	▲ -22AG1-210	▲ -1227	▲ -22A1-210	22	
-0857	-20A1G-210-T	-0833	-20A1-210-T	20	-4209	-20AG1-210	-1207	-20A1-210	20	
-0856	-18A1G-210-T	-0832	-18A1-210-T	18	-4189	-18AG1-210	-1187	-18A1-210	18	
-0855	-16A1G-210-T	-0831	-16A1-210-T	16	-4169	-16AG1-210	-1167	-16A1-210	16	
-0854	-14A1G-210-T	-0830	-14A1-210-T	14	-4149	-14AG1-210	-1147	-14A1-210	14	
-0853	-12A1G-210-T	-0829	-12A1-210-T	12	-4129	-12AG1-210	-1127	-12A1-210	12	
-0852	-10A1G-210-T	-0828	-10A1-210-T	10	-4109	-10AG1-210	-1107	-10A1-210	10	
-0851	-08A1G-210-T	-0827	-08A1-210-T	8	-4089	-08AG1-210	-1087	-08A1-210	8	
-0850	-06A1G-210-T	-0826	-06A1-210-T	6	-4069	-06AG1-210	-1067	-06A1-210	6	
▼ -0849	▼ -04A1G-210-T	▼ -0825	▼ -04A1-210-T	4	▼ -4049	▼ -04AG1-210	▼ -1047	▼ -04A1-210	4	
46999-0848	5569-02A1G-210-T	46999-0824	5569-02A1-210-T	2	39-29-4029	5569-02AG1-210	39-29-1027	5569-02A1-210	2	
EDP NO.	ENG. NO.	EDP NO.	ENG. NO.	CIRCUIT SIZE	EDP NO.	ENG. NO.	EDP NO.	ENG. NO.	CIRCUIT SIZE	
<b>5569-NA1G-210-T</b>					<b>5569-NAG1-210</b>					<b>5569-NA1-210</b>
46999-0847	5569-24A1G-T	46999-0823	5569-24A1-T	24	39-29-5243	5569-24AG1	39-29-1248	5569-24A1	24	
▲ -0846	▲ -22A1G-T	▲ -0822	▲ -22A1-T	22	▲ -5223	▲ -22AG1	▲ -1228	▲ -22A1	22	
-0845	-20A1G-T	-0821	-20A1-T	20	-5203	-20AG1	-1208	-20A1	20	
-0844	-18A1G-T	-0820	-18A1-T	18	-5183	-18AG1	-1188	-18A1	18	
-0843	-16A1G-T	-0819	-16A1-T	16	-5163	-16AG1	-1168	-16A1	16	
-0842	-14A1G-T	-0818	-14A1-T	14	-5143	-14AG1	-1148	-14A1	14	
-0841	-12A1G-T	-0817	-12A1-T	12	-5123	-12AG1	-1128	-12A1	12	
-0840	-10A1G-T	-0816	-10A1-T	10	-5103	-10AG1	-1108	-10A1	10	
-0839	-08A1G-T	-0815	-08A1-T	8	▲ -5083	-08AG1	-1088	-08A1	8	
-0838	-06A1G-T	-0814	-06A1-T	6	▼ -5063	-06AG1	-1068	-06A1	6	
▼ -0837	▼ -04A1G-T	▼ -0813	▼ -04A1-T	4	▼ -5043	-04AG1	-1048	-04A1	4	
46999-0836	5569-02A1G-T	46999-0812	5569-02A1-T	2	39-29-5023	5569-02AG1	39-29-1028	5569-02A1	2	
EDP NO.	ENG. NO.	EDP NO.	ENG. NO.	CIRCUIT SIZE	EDP NO.	ENG. NO.	EDP NO.	ENG. NO.	CIRCUIT SIZE	
<b>5569-NA1G-T</b>					<b>5569-NAG1</b>					<b>5569-NA1</b>
									24	
									22	
									20	
									18	
									16	
									14	
									12	
									10	
									8	
									6	
					39-34-7045	5569-04AIGS3-210	39-34-7043	5569-04AIGS2-210	4	
					39-34-7025	5569-02AIGS3-210	39-34-7023	5569-02AIGS2-210	2	
					EDP NO.	ENG. NO.	EDP NO.	ENG. NO.	CIRCUIT SIZE	
<b>5569-NA1G-400</b>					<b>5569-NAIGS3-210</b>					<b>5569-NAIGS2-210</b>
46999-0791	5569-24A1G-400	46999-0779	5569-24A1-400	24					24	
▲ -0790	▲ -22A1G-400	▲ -0778	▲ -22A1-400	22					22	
-0789	-20A1G-400	-0777	-20A1-400	20					20	
-0788	-18A1G-400	-0776	-18A1-400	18					18	
-0787	-16A1G-400	-0775	-16A1-400	16					16	
-0786	-14A1G-400	-0774	-14A1-400	14					14	
-0785	-12A1G-400	-0773	-12A1-400	12					12	
-0784	-10A1G-400	-0772	-10A1-400	10					10	
-0783	-08A1G-400	-0771	-08A1-400	8					8	
-0782	-06A1G-400	-0770	-06A1-400	6					6	
▼ -0781	▼ -04A1G-400	▼ -0769	▼ -04A1-400	4	39-34-7044	5569-04AIGS3	39-34-7042	5569-04AIGS2	4	
46999-0780	5569-02A1G-400	46999-0768	5569-02A1-400	2	39-34-7024	5569-02AIGS3	39-34-7022	5569-02AIGS2	2	
EDP NO.	ENG. NO.	EDP NO.	ENG. NO.	CIRCUIT SIZE	EDP NO.	ENG. NO.	EDP NO.	ENG. NO.	CIRCUIT SIZE	
<b>5569-NA1G-400</b>					<b>5569-NAIGS3</b>					<b>5569-NAIGS2</b>

SYMBOLS	THIS DRAWING CONTAINS INFORMATION THAT IS PROPRIETARY TO MOLEX ELECTRONIC TECHNOLOGIES, LLC AND SHOULD NOT BE USED WITHOUT WRITTEN PERMISSION	CURRENT REV DESC: MIGRATE TO ECTR	<b>molex</b>
	MINI FIT JR RIGHT ANGLE HEADER ASSY WITH FLANGES		
▲ = 0	MM ONLY	SCALE 2:1	EC NO: 172489
▼ = 0	GENERAL TOLERANCES (UNLESS SPECIFIED)		DRWN: ANESSER 2018/02/16
□ = 0	MM	INCH	CHK'D: JBELL 2018/02/20
◇ = 0	4 PLACES ±	±	APPR: FSMITH 2018/02/22
▽ = 0	3 PLACES ±	±	INITIAL REVISION:
◇ = 0	2 PLACES ±	0.2 ±	DRWN: H. HIRAMOTO 1990/04/23
◇ = 0	1 PLACE ±	0.38 ±	APPR: M. ENOMOTO 1991/07/04
◇ = 0	0 PLACES ±	±	ANGULAR TOL ± 3.0°
■ = 0	DRAFT WHERE APPLICABLE MUST REMAIN WITHIN DIMENSIONS	THIRD ANGLE PROJECTION	DRAWING SERIES
▽ = 0			C-SIZE 5569
DOCUMENT STATUS P1		RELEASE DATE 2018/02/22 21:31:17	DOCUMENT NUMBER SD-5569-002
			DOC TYPE PSD
			DOC PART 000
			REVISION N1
			MATERIAL NUMBER SEE CHART
			CUSTOMER GENERAL MARKET
			SHEET NUMBER 2 OF 2

## Looking for pricing, stock, or lifecycle information?

Click below to explore more details on WIN SOURCE:

 [View 39291048 on WIN SOURCE](#)

 [Molex, LLC Information](#)

## Optimize Your Supply Chain with WIN SOURCE Solutions

-  Global Sourcing Solution
-  Obsolete Management
-  Cost Control Management
-  Shortage Management
-  Alternative Solution
-  Excess Inventory Management