

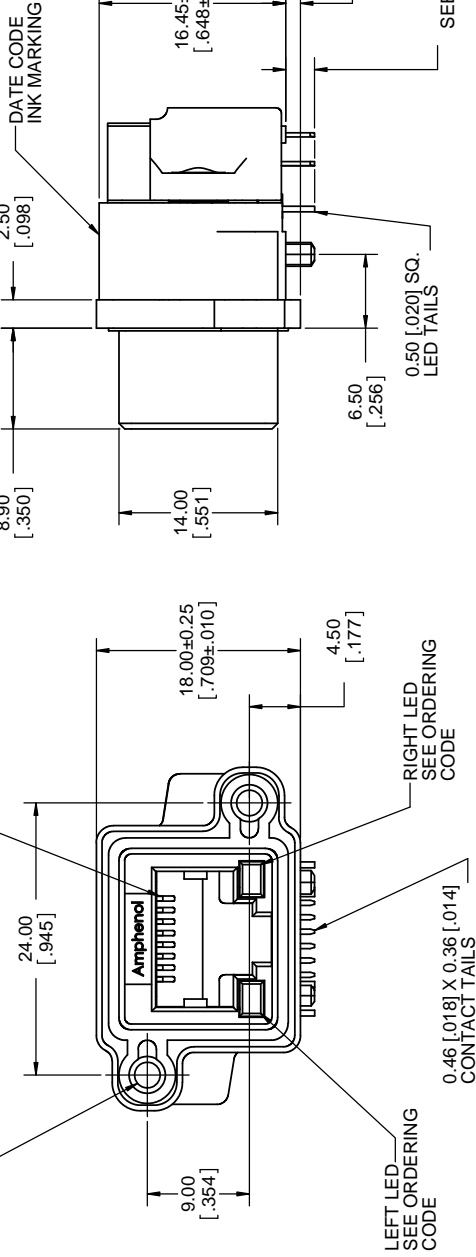


**THE DATASHEET OF  
MRJR5385B1**



5.50 [.217] DEEP THREADED HOLES. SEE ORDERING CODE THREAD OPTION

MOULDED RIBS PREVENT ACCIDENTAL CONTACT DAMAGE IF WRONG PLUG IS USED.



LEFT LED - SEE ORDERING CODE

RIGHT LED - SEE ORDERING CODE

"A" ±0.30 [±.012] SEE ORDERING CODE

**ORDERING CODE: MRJR - 53 XX - X1**

SERIES, RUGGED RJ  
RJ45 RECEPTACLE,  
RIGHT ANGLE PCB TAIL  
NUMBER OF CONTACTS:  
8 = 8 CONTACTS  
A = 10 CONTACTS

LED OPTION:

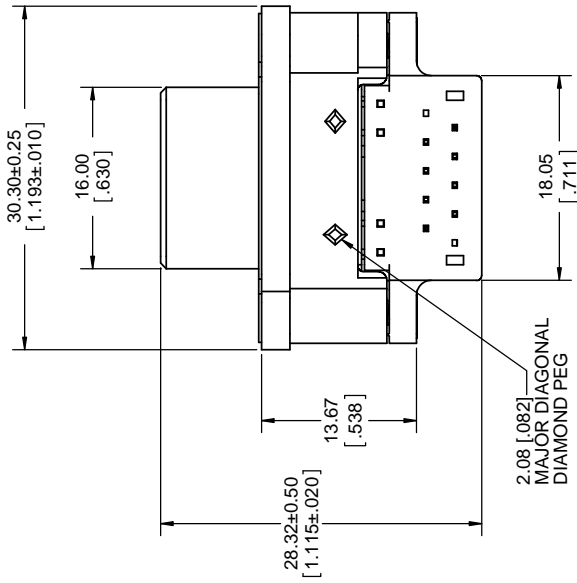
- 0 = NONE
- 1 = GREEN LEFT, YELLOW RIGHT
- 4 = YELLOW LEFT, GREEN RIGHT
- 5 = GREEN LEFT, GREEN RIGHT
- 7 = RED LEFT, GREEN RIGHT
- A = BI-COLOUR GREEN/YELLOW LEFT
- D = GREEN LEFT
- E = YELLOW LEFT
- BI-COLOUR GREEN/YELLOW RIGHT
- BI-COLOUR GREEN/YELLOW RIGHT

TAIL LENGTH AND MOUNTING

HOLE THREAD OPTION:

- 0 = "A" 2.54 [.100], #4-40 UNC
- B = "A" 3.81 [.150], #4-40 UNC
- M = "A" 2.54 [.100], M3 X 0.5
- P = "A" 3.81 [.150], M3 X 0.5

SINGLE PORT



**NOTES:**

1. MATERIAL: ALL MATERIALS ARE ROHS COMPLIANT AND AMENDMENTS
  - SHELL - DIECAST ZINC, NICKEL
  - CONTACTS - PHOSPHOR BRONZE
  - 1.27mm [50μ] MIN NICKEL ON CONTACT
  - NICKEL ON THE CONTACT
  - REAR INSERTS - BLACK NYLON
  - GASKET - SILICONE RUBBER
  - LED'S - EPOXY LENS, STEEL
2. ENVIRONMENTAL PERFORMANCE BETWEEN MATING AREA AND PCB SEAL TO INSIDE FACE OF PANEL
3. CURRENT RATING: 1.5 AMPERES
4. CONTACT RESISTANCE: 30 MILLI OHMS
5. OPERATING TEMPERATURE: -40 TO 85 DEGREES C
6. LED CHARACTERISTICS: FORWARD VOLTAGE 2.5V MAX @ 20MA
7. AVAILABLE MATING AREA COVER WITH AMPHENOL CANADA FOR MOUNTING
8. CUSTOMER TO VERIFY THAT ALL CONTACTS COMPATIBLE WITH POLYCARBONATE
9. AVAILABLE MATING AREA COVER WITH AMPHENOL CANADA FOR MOUNTING



**SPECIAL CONNECTORS**  
MANY UNIQUE FEATURES ARE READILY AVAILABLE TO SUIT CUSTOMER REQUIREMENTS. CONSULT WITH AMPHENOL CANADA FOR DETAILS.

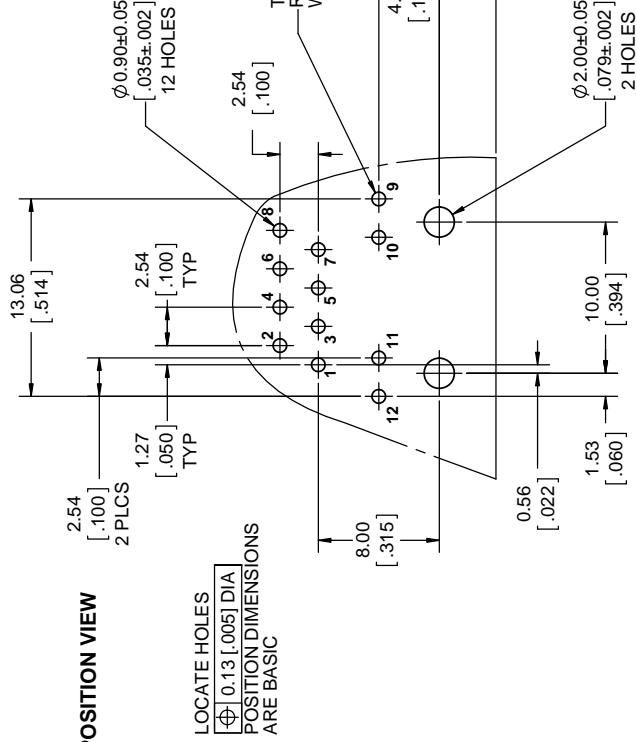
| UNLESS SPECIFIED OTHERWISE | DRAWN                  | T. KEARSE | OCT20/11 |
|----------------------------|------------------------|-----------|----------|
| PRIMARY UNITS              | CHECKED                | K. LAMBIE | OCT20/11 |
| SECONDARY UNITS            | M.E. APP'D             |           |          |
| REFERENCE IN PARENTHESES   | O.A. APP'D             |           |          |
| GENERAL TOLERANCES         | DWG APPR.              |           |          |
| 1 DECIMAL PLACE            | ENG. REL. NO.          | EAR 13977 | DWG/     |
| 2 DECIMAL PLACES           | REF.                   |           |          |
| 3 DECIMAL PLACES           | THIRD ANGLE PROJECTION |           |          |
| ANGULAR DEGREES            | DO NOT DRAWING         |           |          |

THIS DOCUMENT CONTAINS PROPRIETARY INFORMATION AND SUCH INFORMATION MAY NOT BE DISCLOSED TO OTHERS FOR ANY PURPOSE OR USED FOR MANUFACTURING PURPOSES WITHOUT WRITTEN PERMISSION FROM AMPHENOL CANADA CORP.

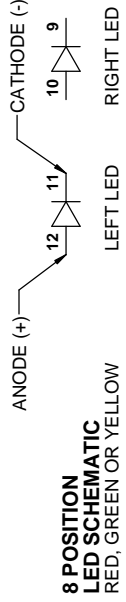
**RECOMMENDED PCB LAYOUT**  
COMPONENT SIDE OF BOARD

|     |  |
|-----|--|
| REV |  |
| E   |  |
| F   |  |

**8 POSITION VIEW**



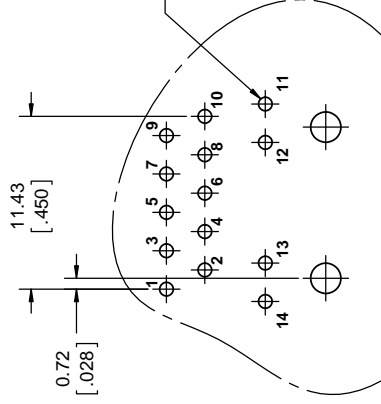
**8 POSITION LED SCHEMATIC**



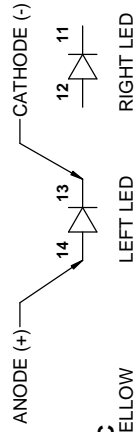
**BI-COLOUR LED SCHEMATIC**



**10 POSITION VIEW**



**10 POSITION LED SCHEMATIC**



|                            |                  |           |          |
|----------------------------|------------------|-----------|----------|
| UNLESS SPECIFIED OTHERWISE | DRAWN            | T. KEARSE | OCT20/11 |
| PRIMARY UNITS              | CHECKED          | K. LAMBIE | OCT20/11 |
| INCHES                     | M.E. APP'D       |           |          |
| REFERENCE IN PARENTHESES   | O.A. APP'D       |           |          |
| GENERAL TOLERANCES         | DWG APPR.        |           |          |
| 1 DECIMAL PLACE            | ENG. REL. NO.    | EAR 13977 |          |
| ±0.15                      | REF.             |           |          |
| 2 DECIMAL PLACES           | THIRD PROTECTION |           |          |
| 3 DECIMAL PLACES           | DO NOT DRAWING   |           |          |
| ANGULAR DEGREES            |                  |           |          |

COMPONENTS WITH 4.07 [.160] MAX HEIGHT CAN BE PLACED IN SHADED REGIONS

RECOMMENDED COMPONENT

THIS DOCUMENT CONTAINS PROPRIETARY INFORMATION AND SUCH INFORMATION MAY NOT BE DISCLOSED TO OTHERS FOR ANY PURPOSE OR USED FOR MANUFACTURING PURPOSES WITHOUT WRITTEN PERMISSION FROM AMPHENOL CANADA CORP.

## Looking for pricing, stock, or lifecycle information?

Click below to explore more details on WIN SOURCE:

- ⊖ [View MRJR5385B1 on WIN SOURCE](#)
- ⊖ [Amphenol Commercial Products Information](#)

## Optimize Your Supply Chain with WIN SOURCE Solutions

- ✓ Global Sourcing Solution
- ✓ Obsolete Management
- ✓ Cost Control Management
- ✓ Shortage Management
- ✓ Alternative Solution
- ✓ Excess Inventory Management