



**THE DATASHEET OF**  
**903-581J-71P**



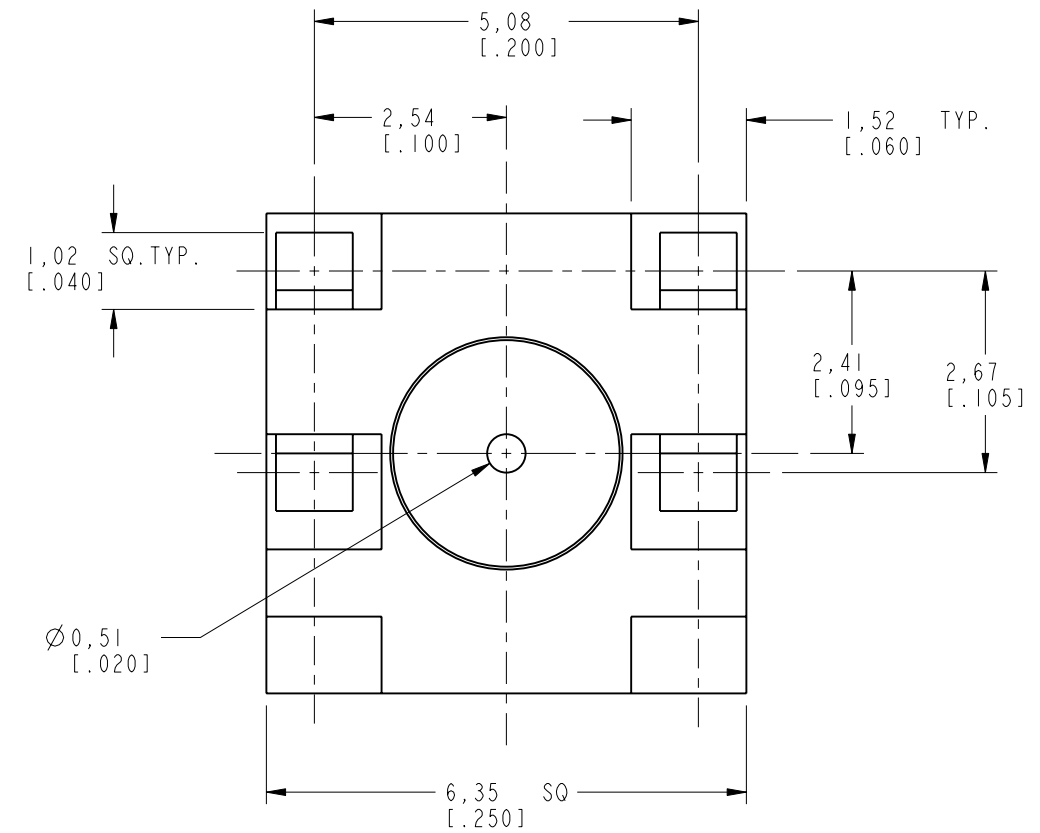
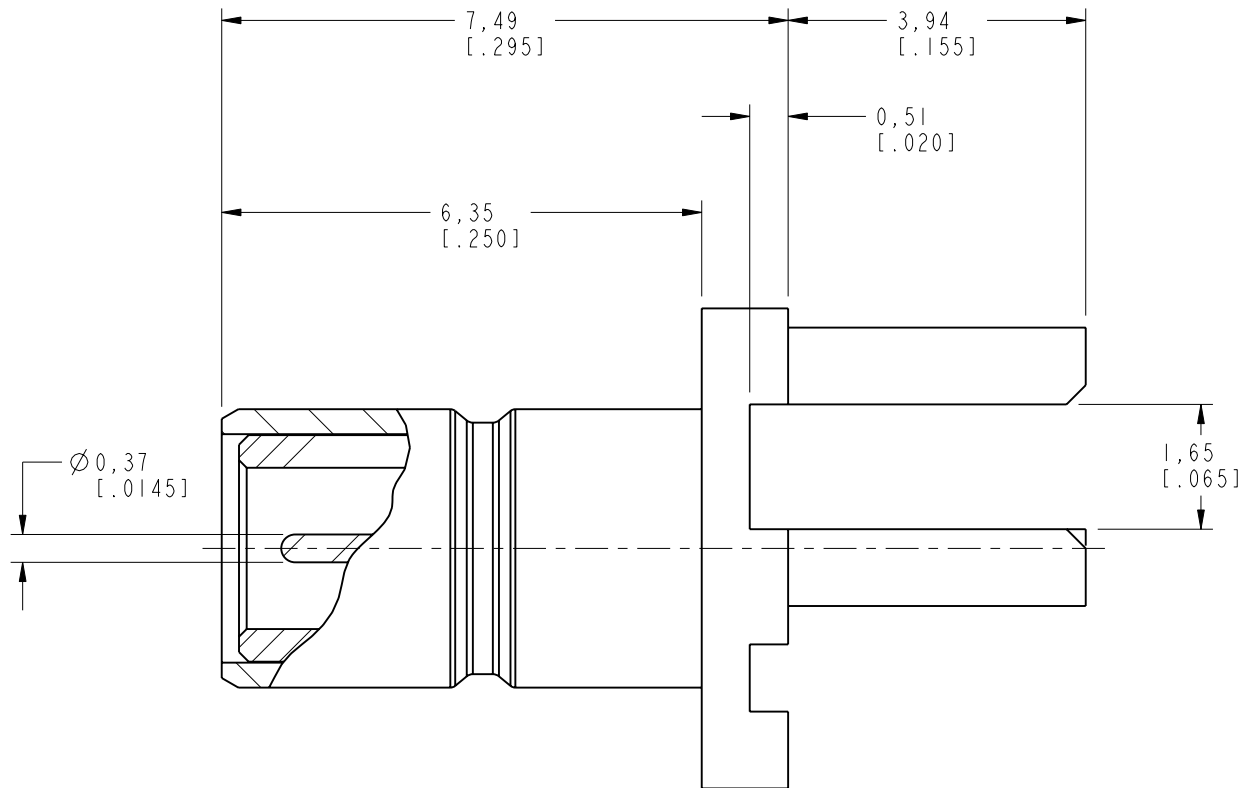
NOTES:

1. MATERIALS AND FINISHES(PLATING THICKNESS IN MICRO-INCHES):  
 BODY - BRASS, GOLD PLATING  
 CONTACT - BERYLLIUM COPPER, GOLD PLATING  
 INSULATOR - PTFE
2. ELECTRICAL:  
 A. IMPEDANCE: 75 OHM  
 B. FREQUENCY RANGE: DC-4 GHz  
 C. VSWR: 1.3 MAX.  
 D. DIELECTRIC WITHSTANDING VOLTAGE: 1000 VRMS, MIN.
3. MECHANICAL:  
 A. DURABILITY: 500 CYCLES MIN.  
 B. TEMPERATURE RANGE: -65°C to +165°C
4. DESIGNED FOR USE WITH 1.57[.062] THICK PRINTED CIRCUIT BOARD

THIRD ANGLE PROJ.

REVISIONS

REV	DESCRIPTION	DATE	ECO	APPR
A	OFFICIAL ENG.RELEASE TO MFG.	11-22-95	41048	PB/RV
B	ADD DUAL DIMENSIONS\RD-DM11070502R3\RD-DM11072001R3	26-Jul-11	48666	SH



**CUSTOMER OUTLINE DRAWING**

ALL OTHER SHEETS ARE FOR INTERNAL USE ONLY

UNLESS OTHERWISE SPECIFIED, DIMENSIONS ARE IN METRIC AND TOLERANCES ARE:  
 <0.5mm ±0.05mm    0.5 - 6mm ±0.1mm    6 - 30mm ±0.2mm    30 - 120mm ±0.3mm    ANGLES ±1°

NOTICE - These drawings, specifications, or other data (1) are, and remain the property of Amphenol corp. (2) must be returned upon request; and (3) are confidential and not to be disclosed to any person other than those to whom they are given by Amphenol Corp. the furnishing of these drawings, specifications, or other data by Amphenol Corp., or to any other person to anyone for any purpose is not to be regarded by implication or otherwise in any manner licensing, granting rights to permitting such holder or any other person to manufacture, use or sell any product, process or design, patented or otherwise, that may in any way be related to or disclosed by said drawings, specifications, or other data.

MATERIAL	
REFERENCE	EAR 111-964708 111-964730 KS 24190 L4 ISSUE 1 615X-1375-100
FINISH	


DRAWN	R. MAO	DATE	26-Jul-11
ENGINEER	R. VACCARD	DATE	14-Nov-95
APPROVED	S. HSIEH	DATE	26-Jul-11
CAD FILE			

TITLE	75 OHM SMB JACK PC END MOUNT
SCALE:	10.0:1.0
SHEET	2 OF 2
DWG SIZE	B
REV	B

Amphenol RF	
www.amphenolrf.com	
DRAWING NO. 903-518J-71P	
ITEM NO. 903-518J-71P	
PART NO. 903-518J-71P	

## Looking for pricing, stock, or lifecycle information?

Click below to explore more details on WIN SOURCE:

 [View 903-581J-71P on WIN SOURCE](#)

 [Amphenol-RF Division Information](#)

## Optimize Your Supply Chain with WIN SOURCE Solutions

-  Global Sourcing Solution
-  Obsolete Management
-  Cost Control Management
-  Shortage Management
-  Alternative Solution
-  Excess Inventory Management