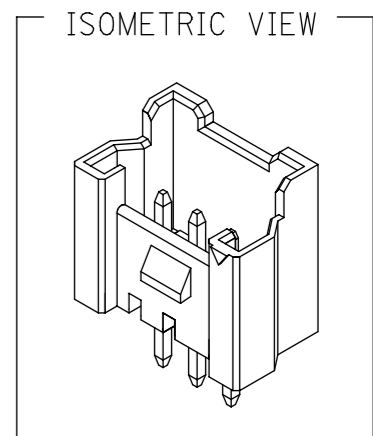
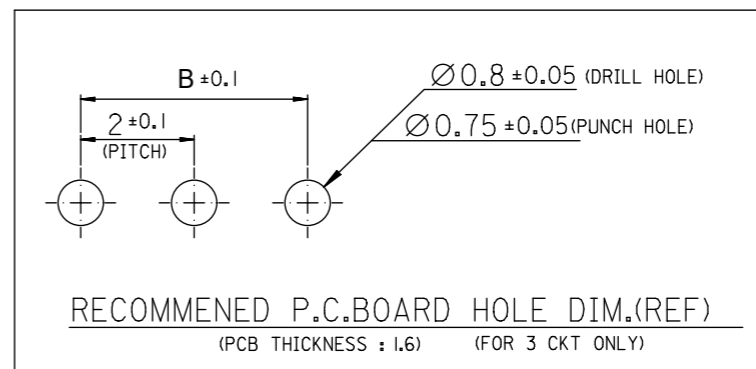
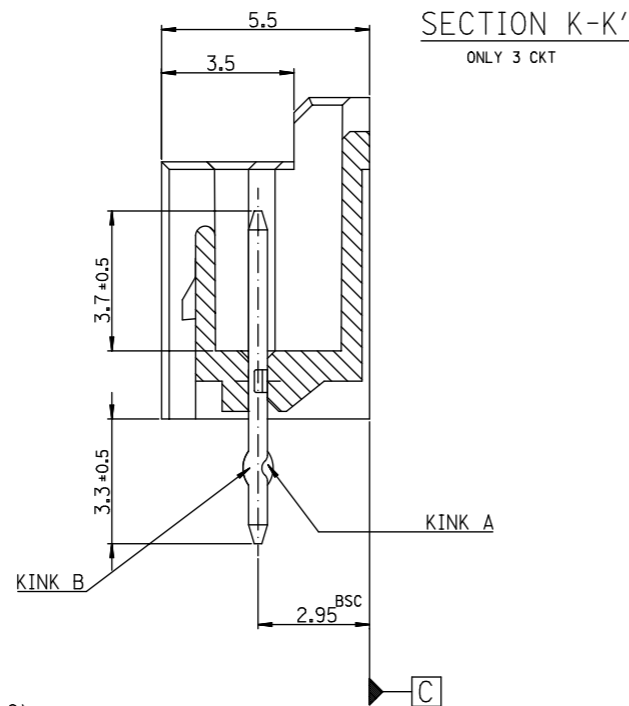
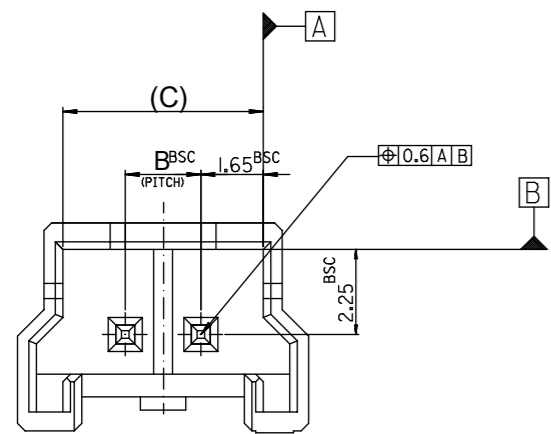




**THE DATASHEET OF**  
**353620250**



FOR 2 & 3 CKTS.



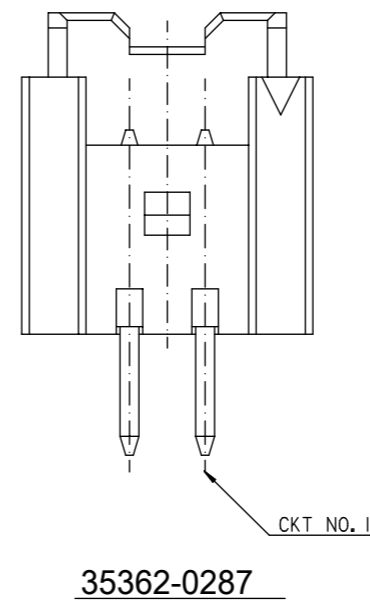
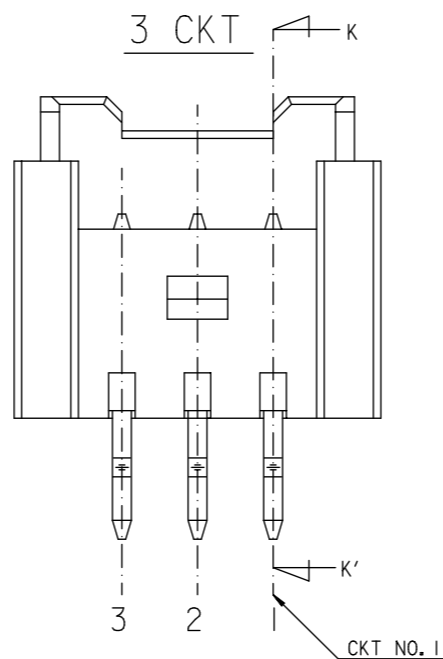
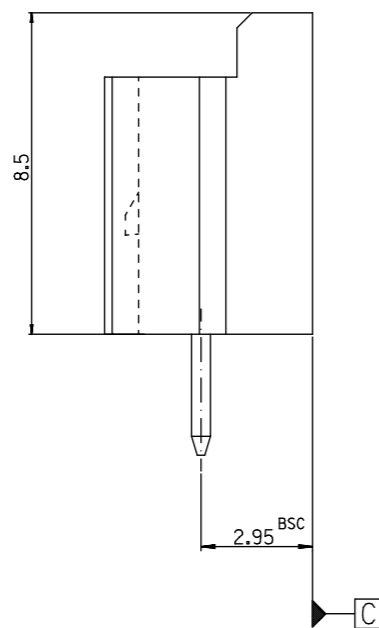
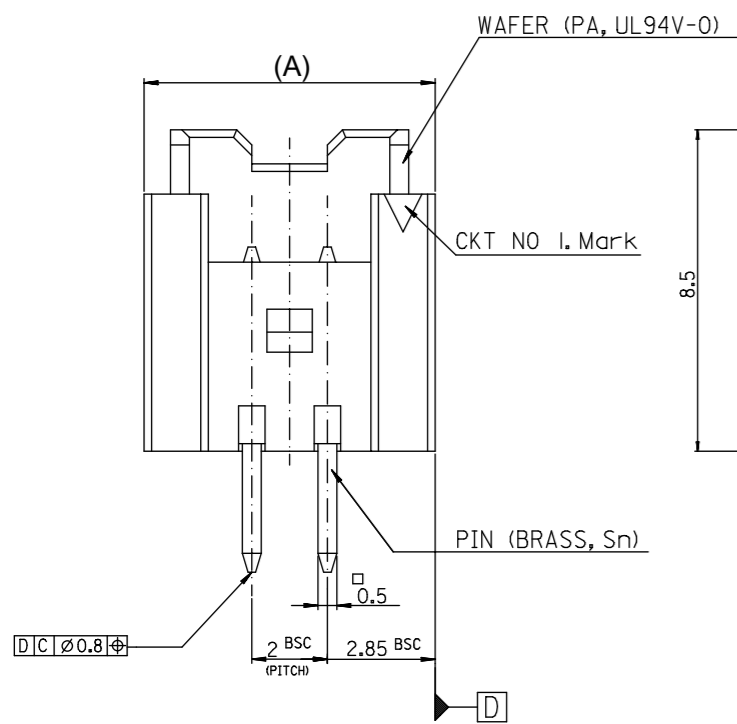
**LEGEND**

SD-35362-\*\*\*\*  
 CKT NO. \_\_\_\_\_ COLOR \_\_\_\_\_

FINAL GOOD (BULK) 5 : SELECTIVE KINK (LEAD FREE)  
 6 : NONE KINK (LEAD FREE)

SUB ASSY (TUBE) 7 : SELECTIVE KINK (LEAD FREE)  
 8 : NONE KINK (LEAD FREE)

0 : NATURAL  
 1 : BLACK  
 2 : RED  
 3 : YELLOW  
 4 : BLUE  
 5 : GREEN  
 6 : TUBE PACKING (Natural Color)  
 7 : TUBE PACKING (Red Color)  
 8 : TUBE PACKING (Blue Color)



**NOTES**

- MATERIAL : UNFILLED POLYAMIDE, UL94V-0  
PIN : BRASS
- FINISHES : PIN - Tin(Sn) 1.0~3.0m OVERALL  
Cu 1.5~3.75m OVERALL
- PRODUCT SPECIFICATION : PS-35507-003
- MATING HOUSING : 35507-\*\*0\*  
MATING TERMINAL : 50212-8000

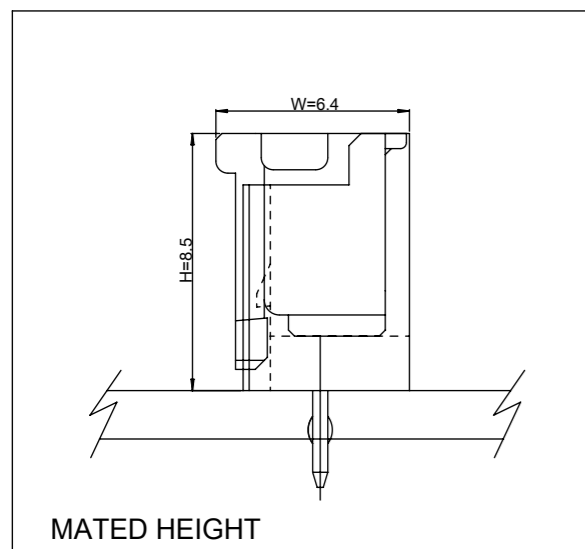
5. KINK

CKT NO.	1	2	3
2 CKT			
3 CKT	A	B	A

6. 35362-0287 IS ONLY KINKED 2P

CKT NO.	1	2
PRODUCT NO.		
35362-0287	A	B

7.3	4	9.7	3536203**	35362-03**	3
5.3	2	7.7	3536202**	35362-02**	2
(C)	B	(A)	MATERIAL NO.	ENG. NO.	CKT



<b>LEAD FREE</b>		SYMBOLS		THIS DRAWING CONTAINS INFORMATION THAT IS PROPRIETARY TO MOLEX ELECTRONIC TECHNOLOGIES, LLC AND SHOULD NOT BE USED WITHOUT WRITTEN PERMISSION	
30 over ±0.3		▽ = 0		CURRENT REV DESC:	
10 over 30 under ±0.25		▽ = 0		EC NO: 605910	
10 under ±0.2		▽ = 0		DRWN: JSSHIN 2018/10/11	
ANGLE ±3°		▽ = 0		CHK'D: SHCHU 2018/10/15	
GENERAL TOLERANCE		▽ = 0		APPR: YSKIM02 2018/10/16	
		▽ = 0		INITIAL REVISION:	
		▽ = 0		DRWN: KSKIM 2005/04/29	
		▽ = 0		APPR: CHANGWOOLEE 2005/05/03	
		▽ = 0		DRAFT WHERE APPLICABLE MUST REMAIN WITHIN DIMENSIONS	
		THIRD ANGLE PROJECTION		DRAWING	
		A3-SIZE		SERIES	
		35362		MATERIAL NUMBER	
		SEE TABLE		CUSTOMER	
		GENERAL MARKET		SHEET NUMBER	
		1 OF 1			

DOCUMENT STATUS	RELEASE DATE
-----------------	--------------

## Looking for pricing, stock, or lifecycle information?

Click below to explore more details on WIN SOURCE:

 [View 353620250 on WIN SOURCE](#)

 [Molex, LLC Information](#)

## Optimize Your Supply Chain with WIN SOURCE Solutions

-  Global Sourcing Solution
-  Obsolete Management
-  Cost Control Management
-  Shortage Management
-  Alternative Solution
-  Excess Inventory Management