



**THE DATASHEET OF**  
**3-5177986-4**



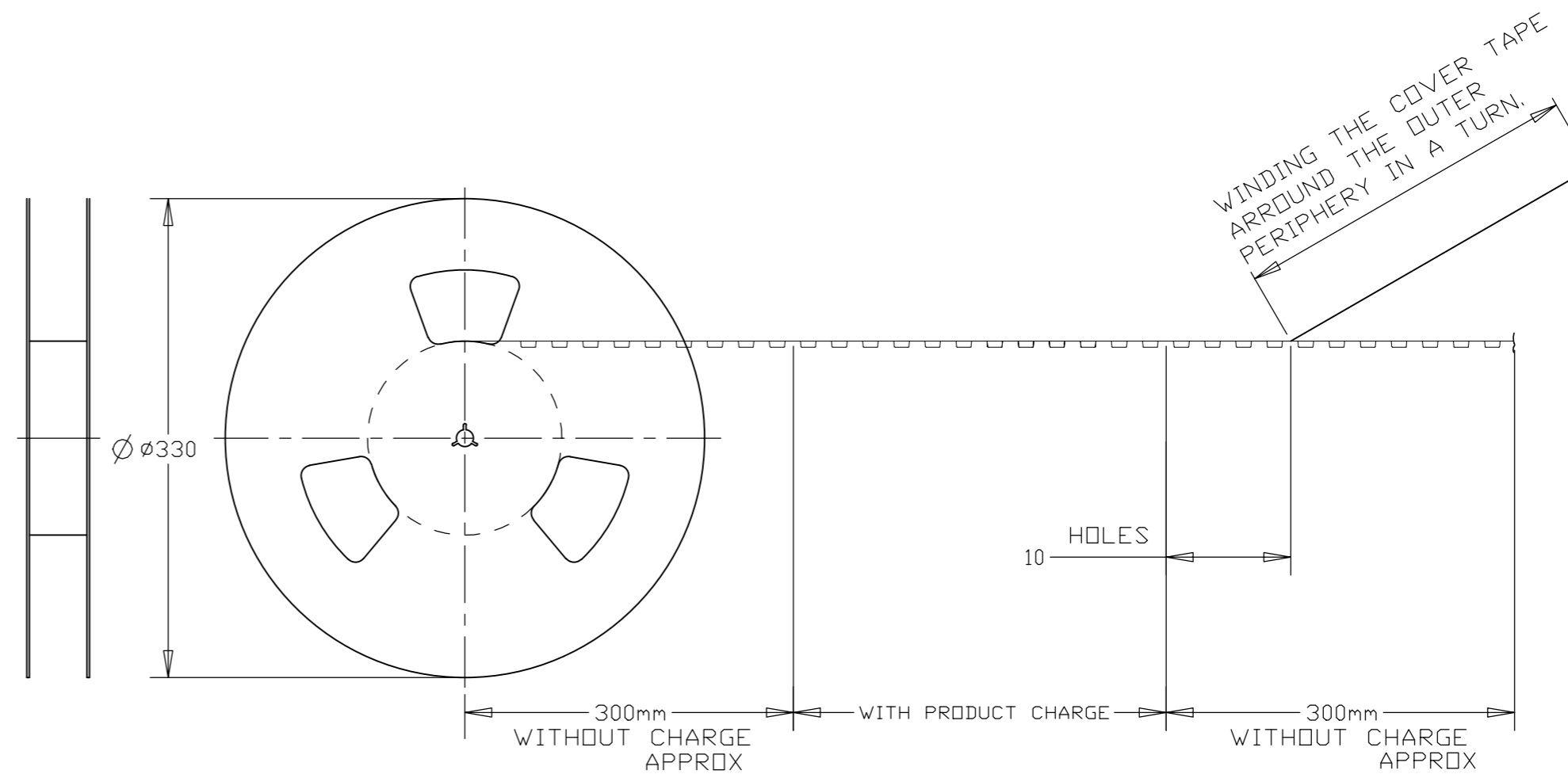
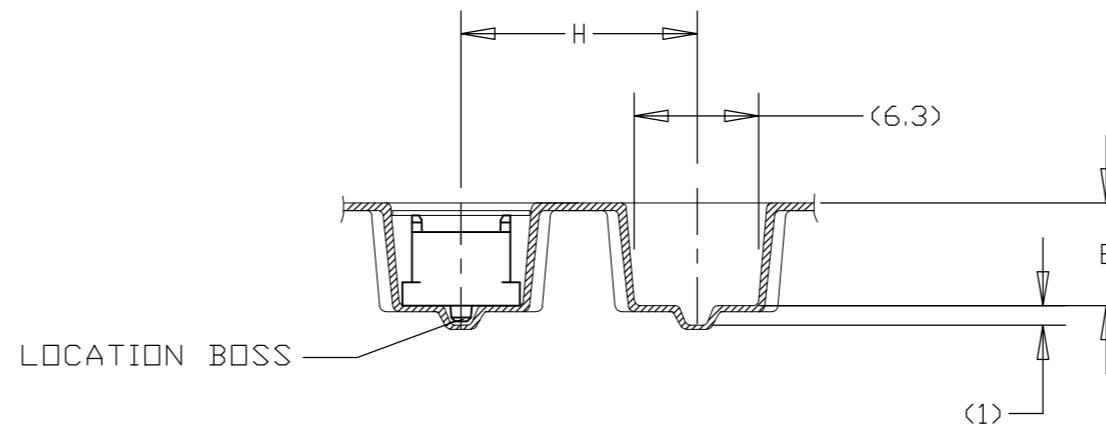
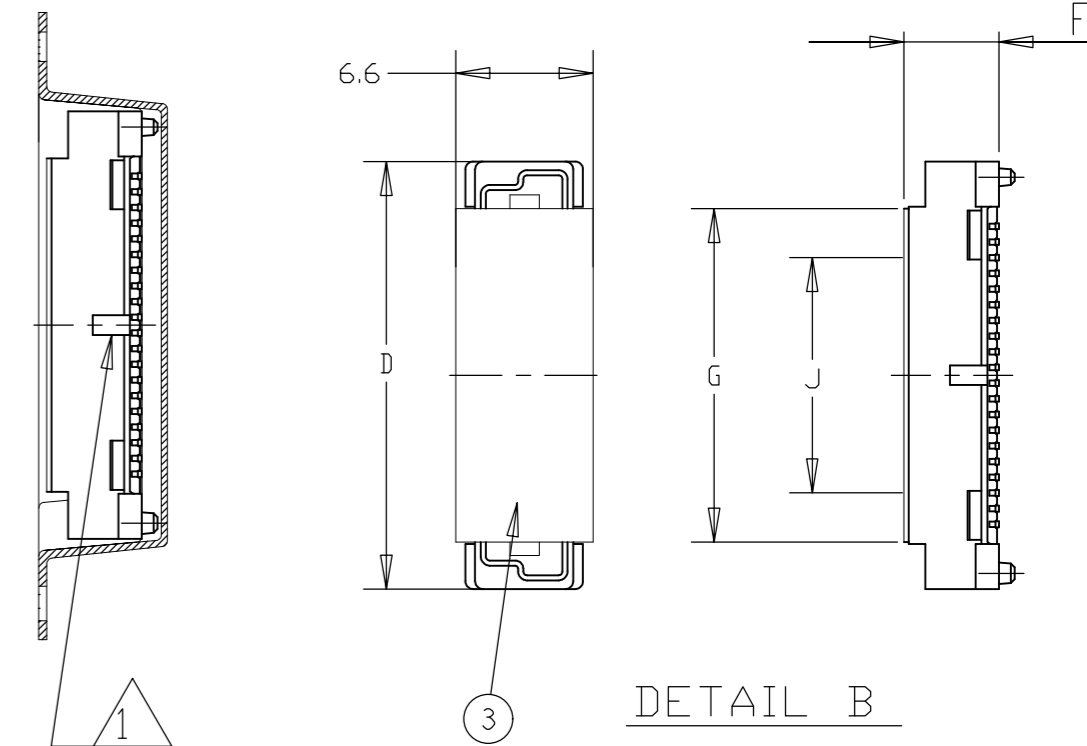
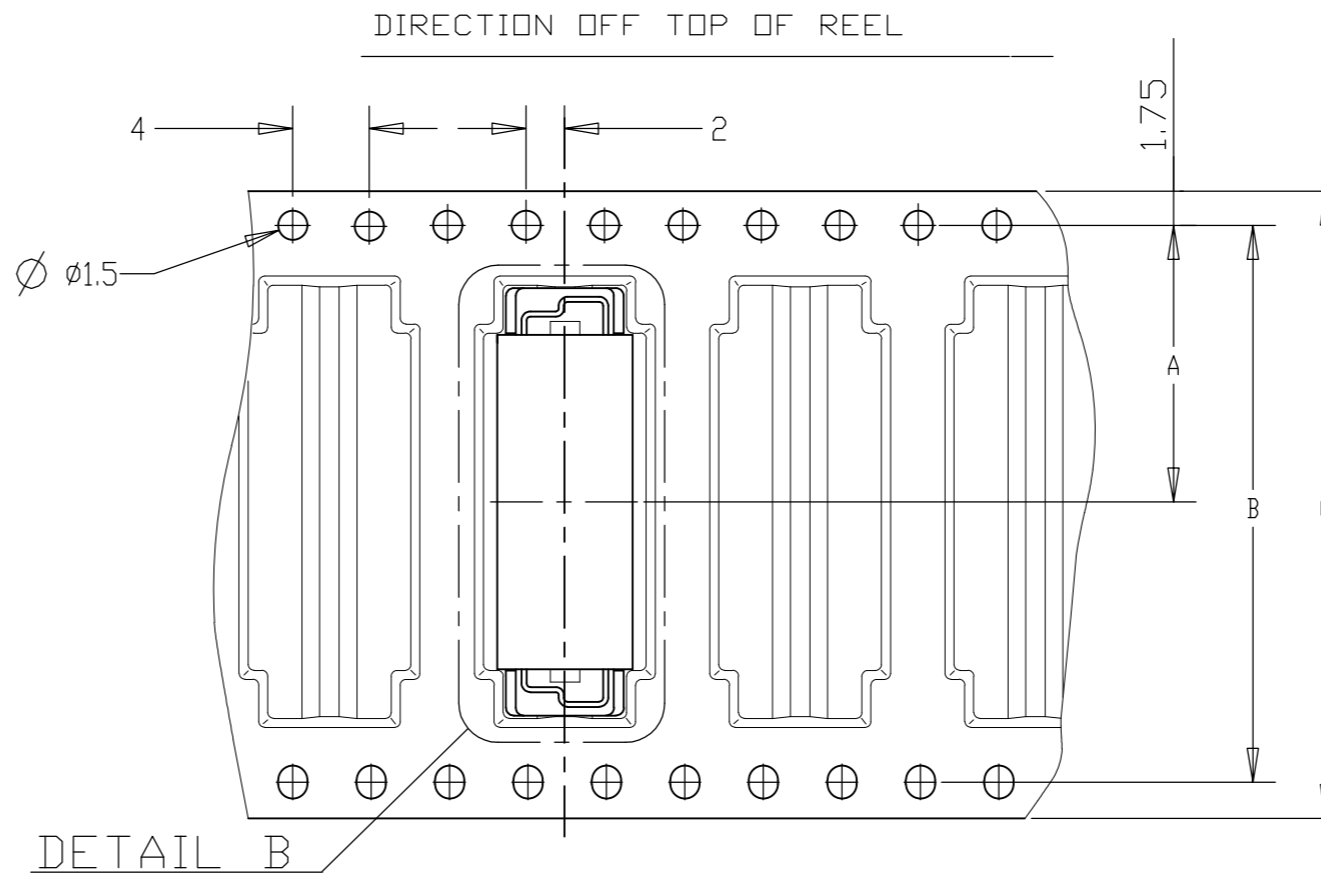


THIS DRAWING IS UNPUBLISHED. RELEASED FOR PUBLICATION  
 © COPYRIGHT - TE Connectivity ALL RIGHTS RESERVED.

REVISIONS					
P	LTR	DESCRIPTION	DATE	DWN	APVD
-	-	SEE SHEET 1	-	-	-

LOW HALOGEN

Notes:  
 6 0.0002 MIN GOLD PLATING  
 (7.8u INCHES GOLD PLATING)



REMARKS	QTY	HEIGHT TYPE	Y	X	J	H	G	F	E	D	C	B	A	POS	SALEABLE PART NO.
															9-5177986-6

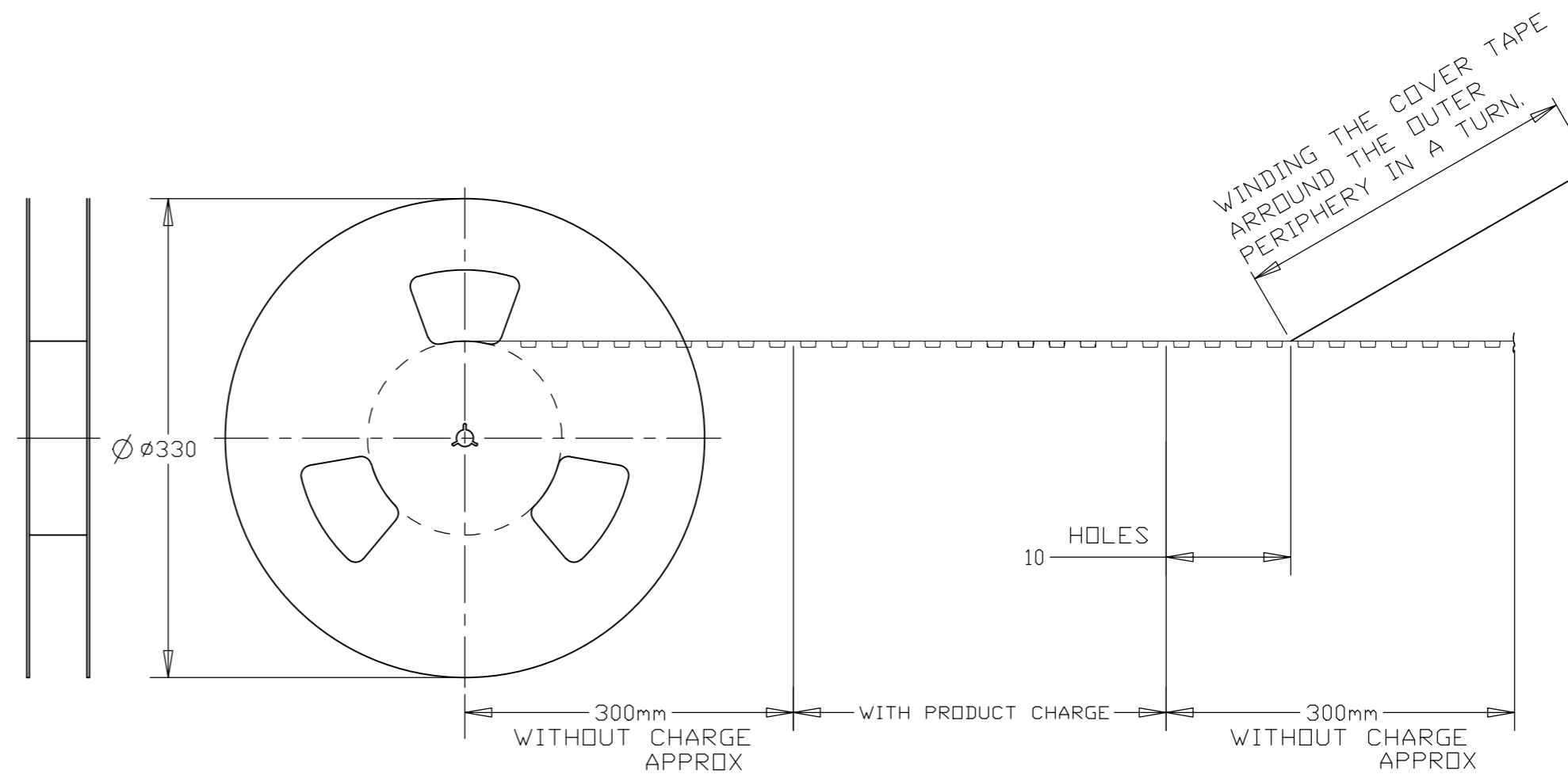
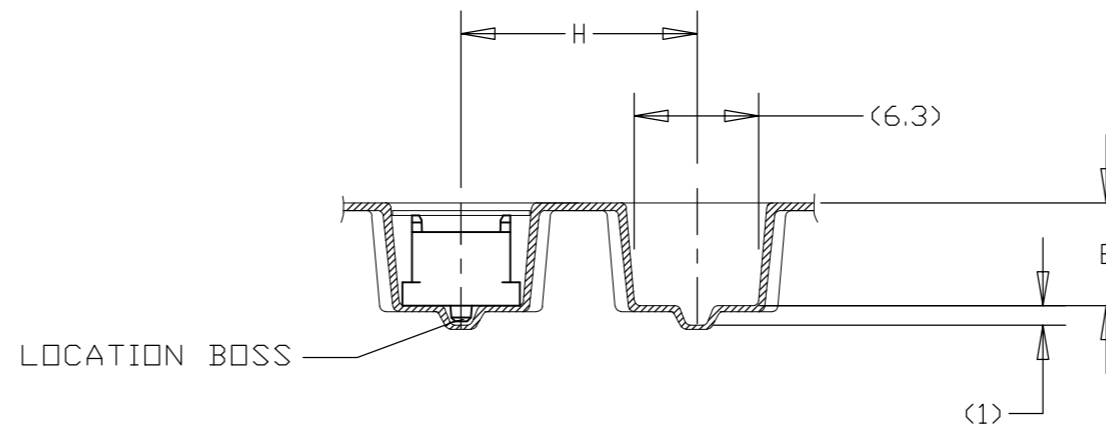
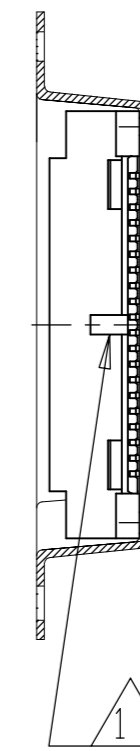
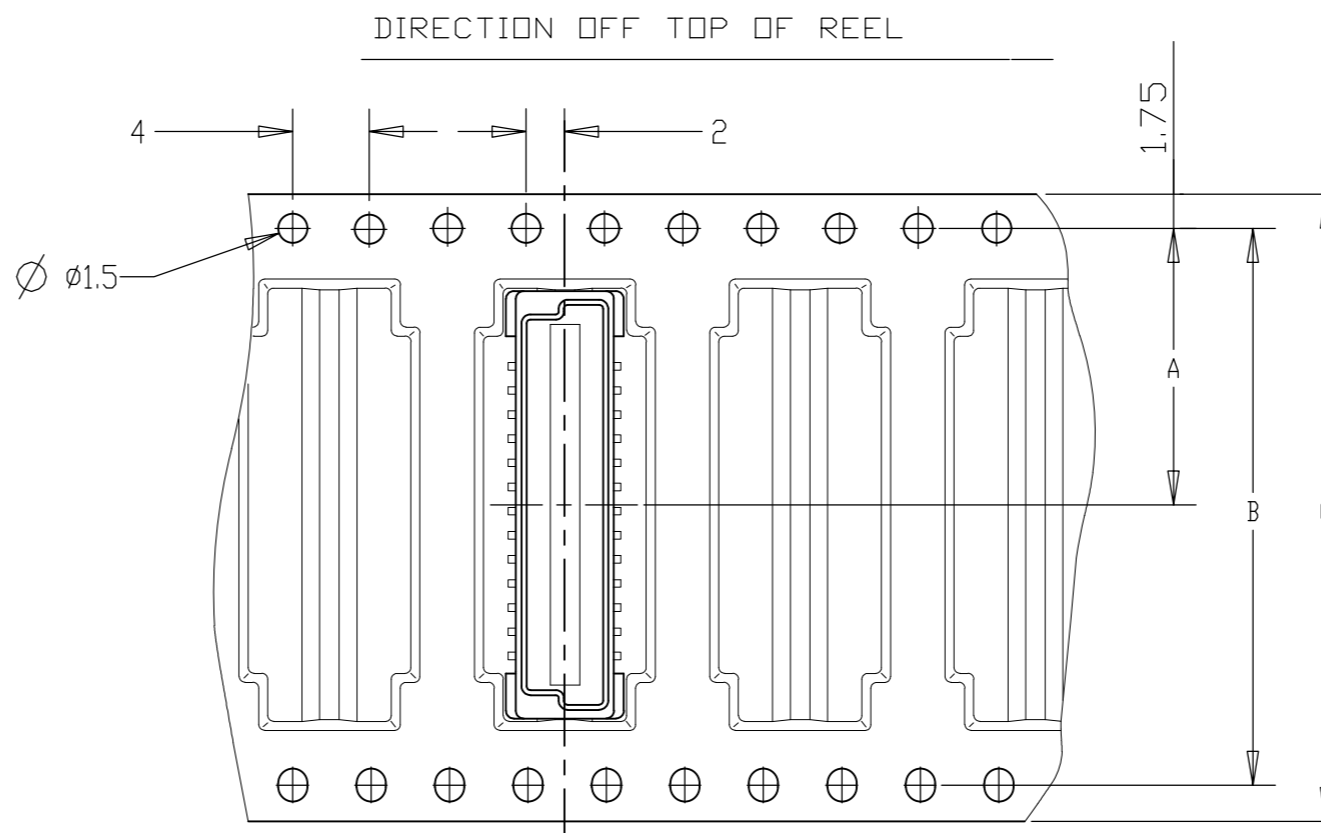
THIS DRAWING IS A CONTROLLED DOCUMENT.		DWN FLORENCE TAN 30AUG2004	TE Connectivity PLUG ASSEMBLY, FH 0.8 ON TAPING (EMBOSS) 0.5 BOSS LENGTH		
DIMENSIONS: mm		CHK ERIC TNG 30MAY2012			
TOLERANCES UNLESS OTHERWISE SPECIFIED:		APVD SF LEONG 30MAY2012	NAME		
$\phi$ 0 PLC $\pm$ - $\phi$ 1 PLC $\pm$ 0.2 $\phi$ 2 PLC $\pm$ 0.15 $\phi$ 3 PLC $\pm$ 0.1 $\phi$ 4 PLC $\pm$ - ANGLES $\pm$ - FINISH		PRODUCT SPEC	RESTRICTED TO		
MATERIAL		APPLICATION SPEC	SIZE	CAGE CODE	DRAWING NO.
		WEIGHT	A2	00779	C-5177986
		CUSTOMER DRAWING	SCALE	SHEET	REV
			1:1	2 of 4	F6

THIS DRAWING IS UNPUBLISHED. RELEASED FOR PUBLICATION  
 © COPYRIGHT - TE Connectivity ALL RIGHTS RESERVED.

LOW HALOGEN

REVISIONS				
P	LTR	DESCRIPTION	DATE	APVD
-	-	SEE SHEET 1	-	-

Notes:  
 2 0.00038 MIN GOLD PLATING  
 (15u INCHES GOLD PLATING)



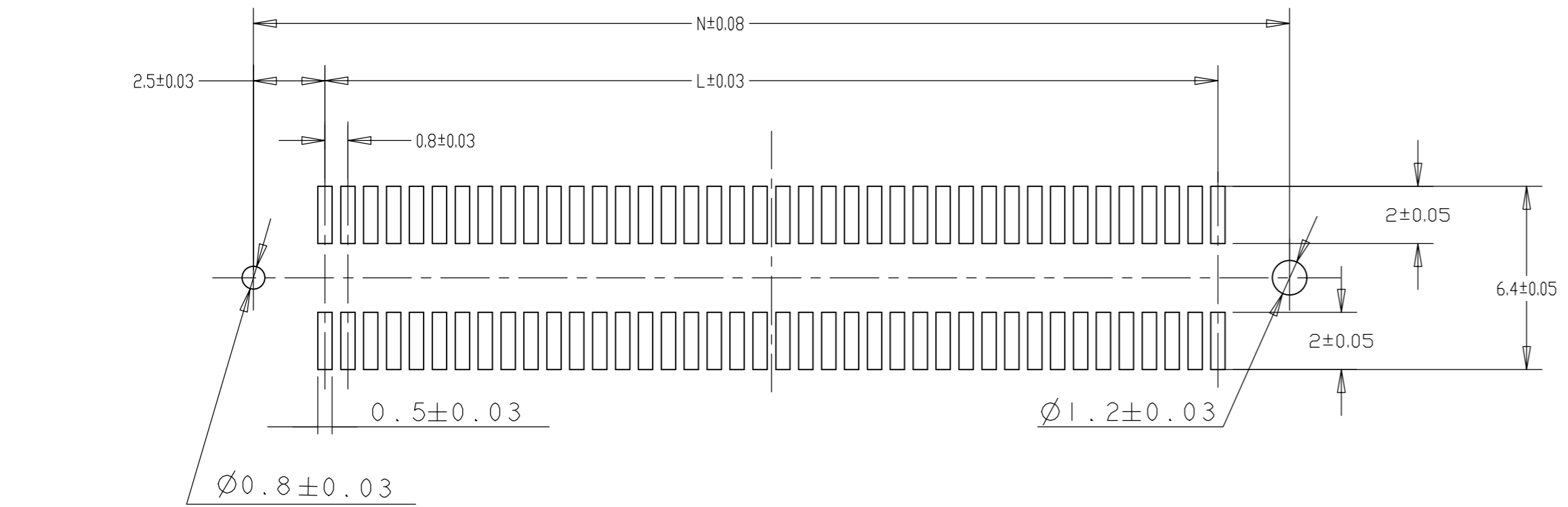
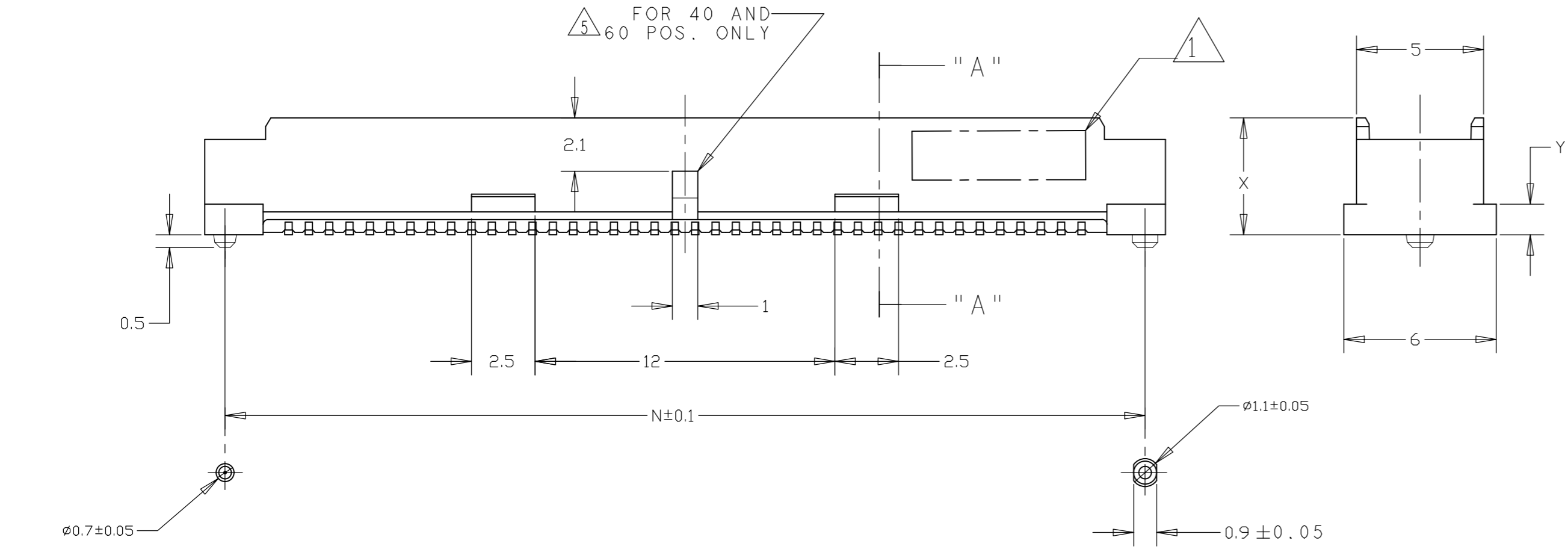
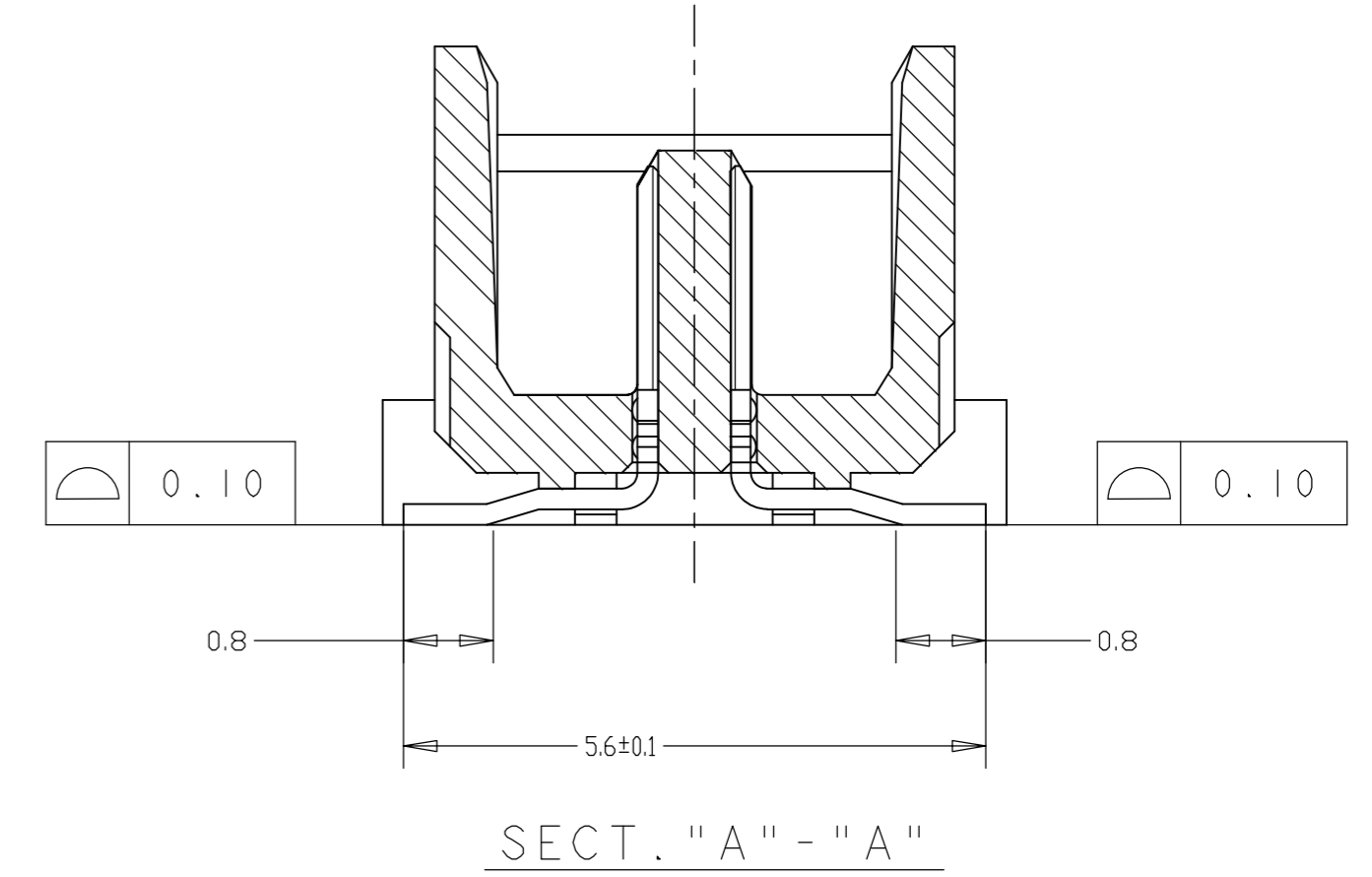
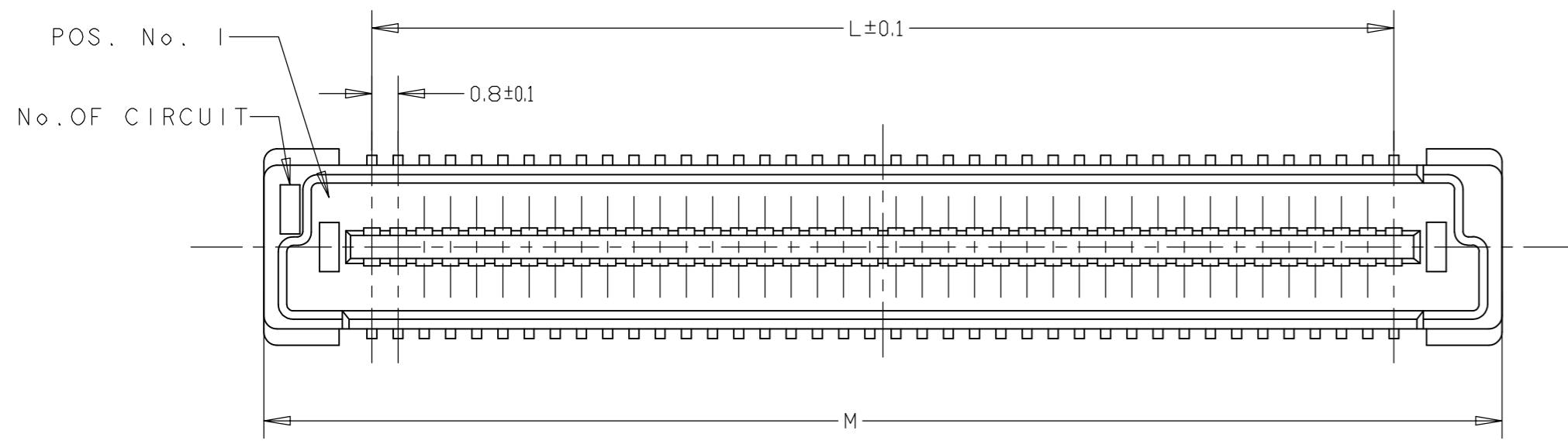
WITHOUT COVER

REMARKS	QTY	HEIGHT TYPE	Y	X	H	E	C	B	A	PDS	SALEABLE PART NO.
	650	5H	1.2	4.6	16	5.25	88	84.4	42.2	160	8-5177986-8
	650	5H	1.2	4.6	16	5.25	72	68.4	34.2	120	8-5177986-5

THIS DRAWING IS A CONTROLLED DOCUMENT.		DWN 30AUG2004 FLORENCE TAN	TE Connectivity	
DIMENSIONS: mm		CHK 30MAY2012 ERIC TNG		
TOLERANCES UNLESS OTHERWISE SPECIFIED:		APVD 30MAY2012 SF LEONG	NAME	
0 PLC ± - 1 PLC ± 0.2 2 PLC ± 0.15 3 PLC ± 0.1 4 PLC ± - ANGLES ± - FINISH -		PRODUCT SPEC	PLUG ASSEMBLY, FH 0.8 ON TAPING (EMBOSS) 0.5 BOSS LENGTH	
MATERIAL		APPLICATION SPEC	SIZE	RESTRICTED TO
		WEIGHT 0	A2 00779	
		CUSTOMER DRAWING	CAGE CODE C=5177986	DRAWING NO
		SCALE 1:1	SHEET 3 of 4	REV F6

THIS DRAWING IS UNPUBLISHED. RELEASED FOR PUBLICATION  
 © COPYRIGHT - TE Connectivity ALL RIGHTS RESERVED.

REVISIONS				
P	LTR	DESCRIPTION	DATE	APVD
-	-	SEE SHEET 1	-	-



RECOMMENDED P.C. BOARD LAYOUT

LOW HALOGEN

CONNECTOR ONLY

84.2	85.8	79.2	200
76.2	77.8	71.2	180
68.2	69.8	63.2	160
60.2	61.8	55.2	140
52.2	53.8	47.2	120
44.2	45.8	39.2	100
36.2	37.8	31.2	80
28.2	29.8	23.2	60
20.2	21.8	15.2	40
N	M	L	POS.

THIS DRAWING IS A CONTROLLED DOCUMENT.		DWN FLORENCE TAN 30AUG2004	TE Connectivity	
DIMENSIONS: mm		CHK ERIC TNG 30MAY2012	NAME PLUG ASSEMBLY, FH 0.8 ON TAPING (EMBOSS) 0.5 BOSS LENGTH	
TOLERANCES UNLESS OTHERWISE SPECIFIED:		APVD SF LEONG 30MAY2012	PRODUCT SPEC	
0 PLC ± - 1 PLC ± 0.2 2 PLC ± 0.15 3 PLC ± 0.1 4 PLC ± - ANGLES ± -		APPLICATION SPEC		
MATERIAL		WEIGHT 0	SIZE A2	RESTRICTED TO
FINISH		CAGE CODE 00779	DRAWING NO. C-5177986	REV F6
		CUSTOMER DRAWING		SCALE 1:1 SHEET 4 OF 4

## Looking for pricing, stock, or lifecycle information?

Click below to explore more details on WIN SOURCE:

 [View 3-5177986-4 on WIN SOURCE](#)

 [TE Connectivity](#) Information

## Optimize Your Supply Chain with WIN SOURCE Solutions

-  Global Sourcing Solution
-  Obsolete Management
-  Cost Control Management
-  Shortage Management
-  Alternative Solution
-  Excess Inventory Management