



THE DATASHEET OF
3-5177986-3

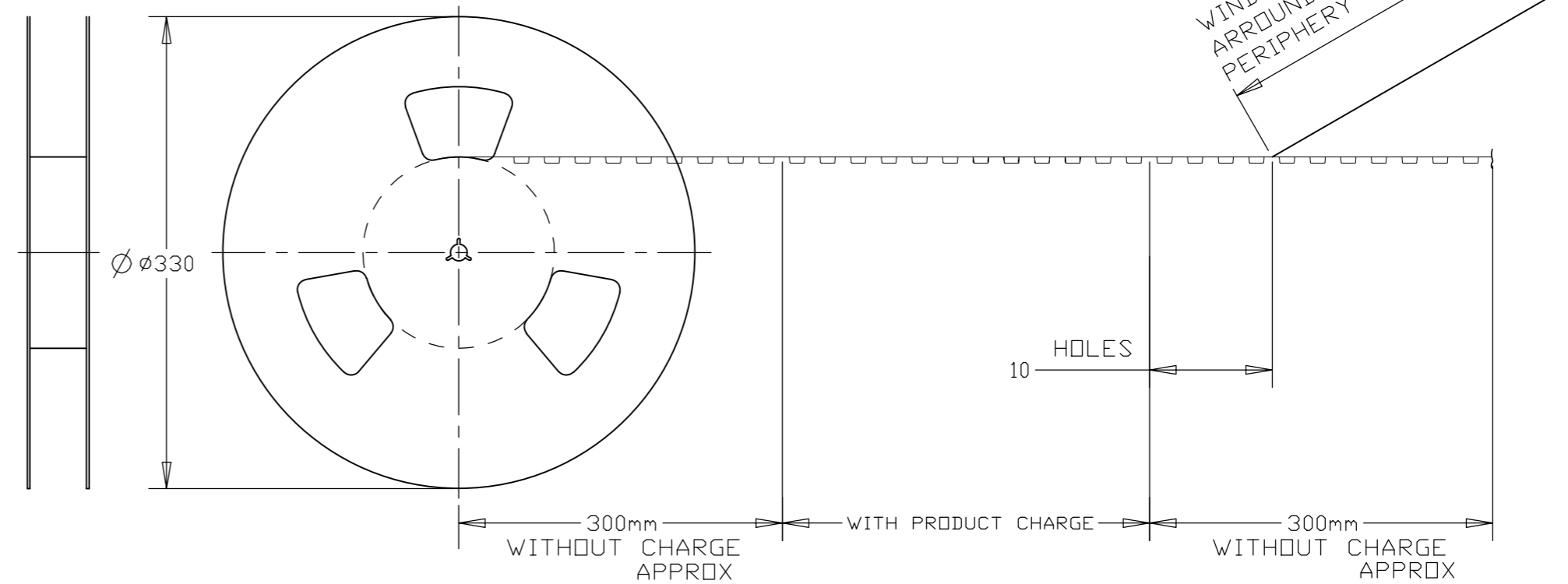
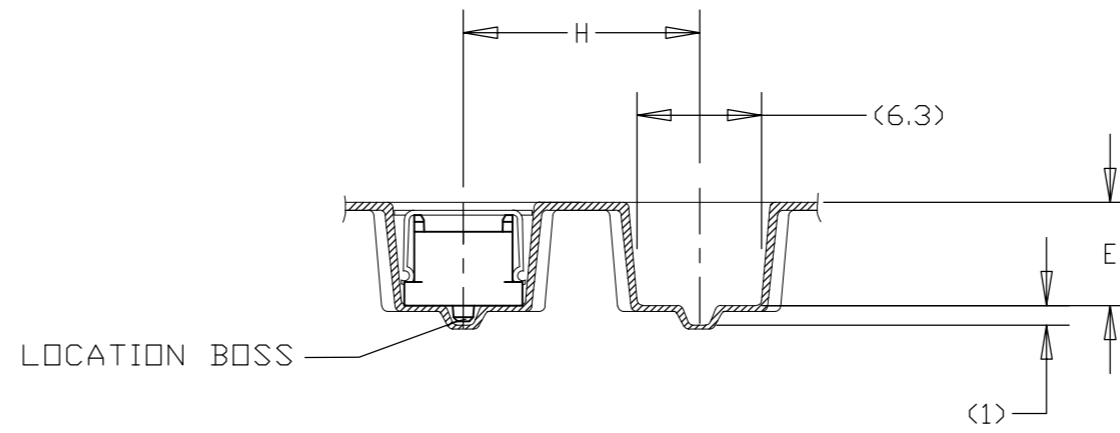
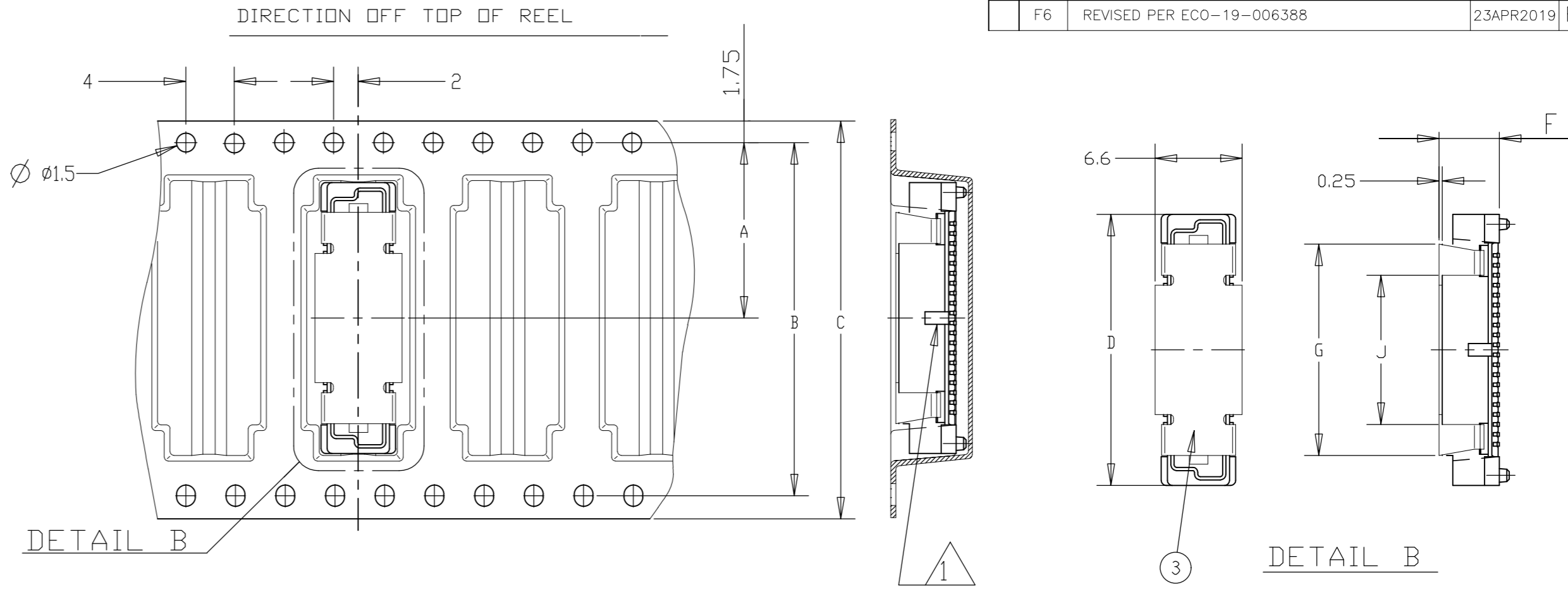


THIS DRAWING IS UNPUBLISHED. RELEASED FOR PUBLICATION
 © COPYRIGHT - TE Connectivity ALL RIGHTS RESERVED.

REVISIONS				
P	LTR	DESCRIPTION	DATE	APVD
F6		REVISED PER ECO-19-006388	23APR2019	R.L. H.L.

- Notes:
- 1 CUTOUT FEATURE AVAILABLE ONLY ON 5H ASSY P/N -1 (40P) AND -2 (60P).
 - 2 0.00038 MIN GOLD PLATING (15u INCHES GOLD PLATING)
 - 3 CONNECTOR DIMENSIONS REFERENCED FROM DRAWING WHICH CONN. P/NS BASED
 - 4 CONNECTOR WITH BLACK HOUSING
 - 5 MATERIAL: HOUSING: L.C.P UL 94-V0. COLOR: NATURAL EXCEPT FOR NOTE 4 CONTACT: BRASS

LOW HALOGEN



STEEL COVER

REMARKS	QTY	HEIGHT TYPE	Y	X	J	H	G	F	E	D	C	B	A	POS	SALEABLE PART NO.	
0.00076 MIN GOLD PLATING (30u INCHES GOLD PLATING)	450															
	700	7H	3.6	6.6	12		6.85	7.25	21.8	32	28.4	14.2	40	7-5177986-1		
	550															
	800	6H	2.6	5.6	12		5.85	6.25	21.8	32	28.4	14.2	40	6-5177986-1		
	650															
	900	5H	1.2	4.6	12	12	17	4.85	5.25	21.8	32	28.4	14.2	40	5-5177986-1	
	550	6H	2.6	5.6	12	16	17	5.85	6.25	69.8	88	84.4	42.2	160	9-5177986-8	
	550	6H	2.6	5.6	12	16	17	5.85	6.25	53.8	72	68.4	34.2	120	9-5177986-5	
	900	5H	1.2	4.6	12	12	17	4.85	5.25	37.8	56	52.4	26.2	80	8-5177986-3	
	450	7H	3.6	6.6	12	16	17	6.85	7.25	53.8	72	68.4	34.2	120	4-5177986-5	
	0.0002 MIN GOLD PLATING (7.8u INCHES GOLD PLATING)	400														
		600	8H	4.6	7.6	12		7.85	8.25	21.8	32	28.4	14.2	40	3-5177986-1	
450																
700																
500		7H	3.6	6.6	16		6.85	7.25	21.8	32	28.4	14.2	40	2-5177986-0		
550																
800		6H	2.6	5.6	12		5.85	6.25	21.8	32	28.4	14.2	40	1-5177986-1		
900		5H	1.2	4.6	12	12	17	4.85	5.25	85.8	104	100.4	50.2	200	1-5177986-0	
650																
550																
800																

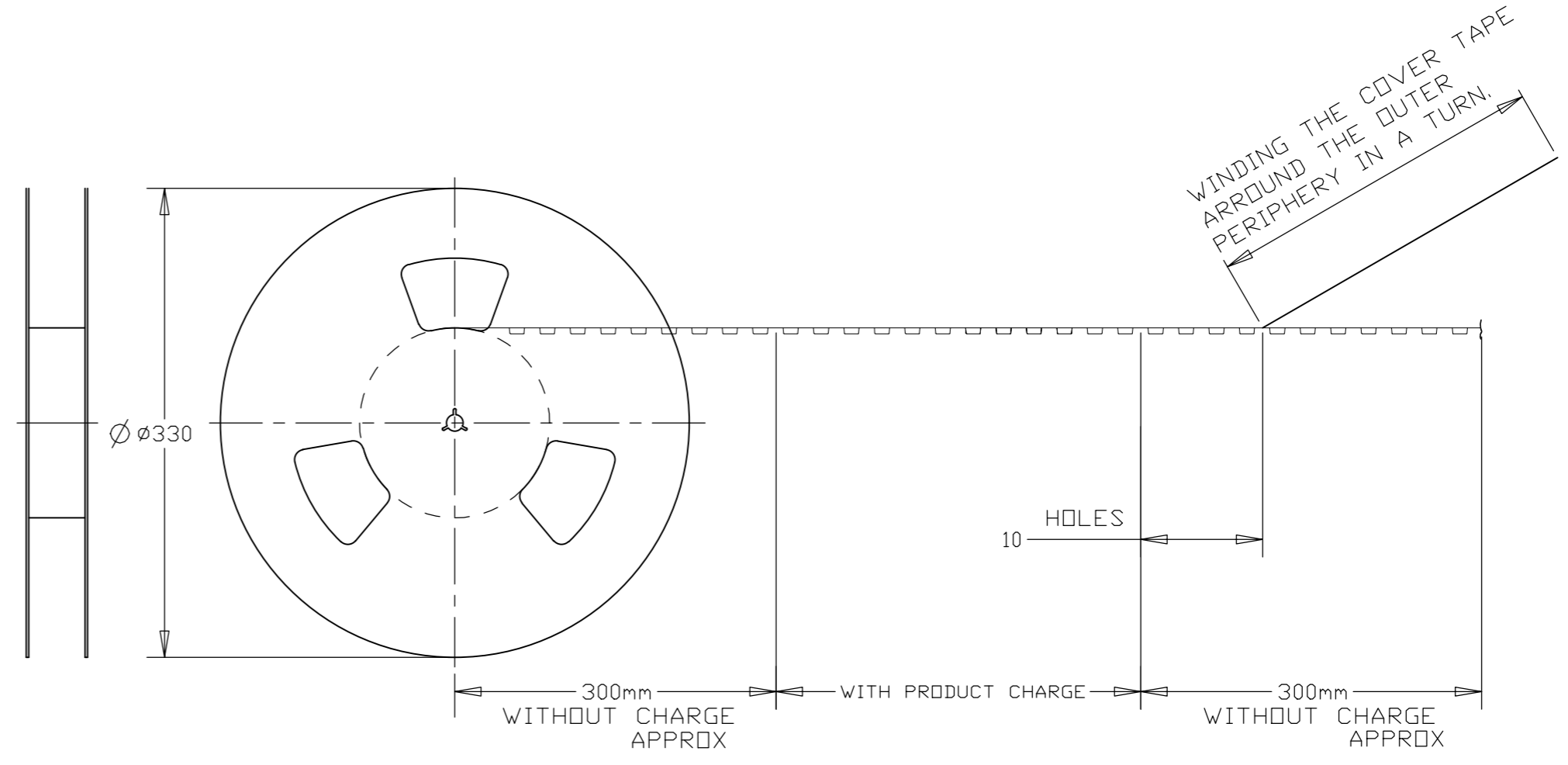
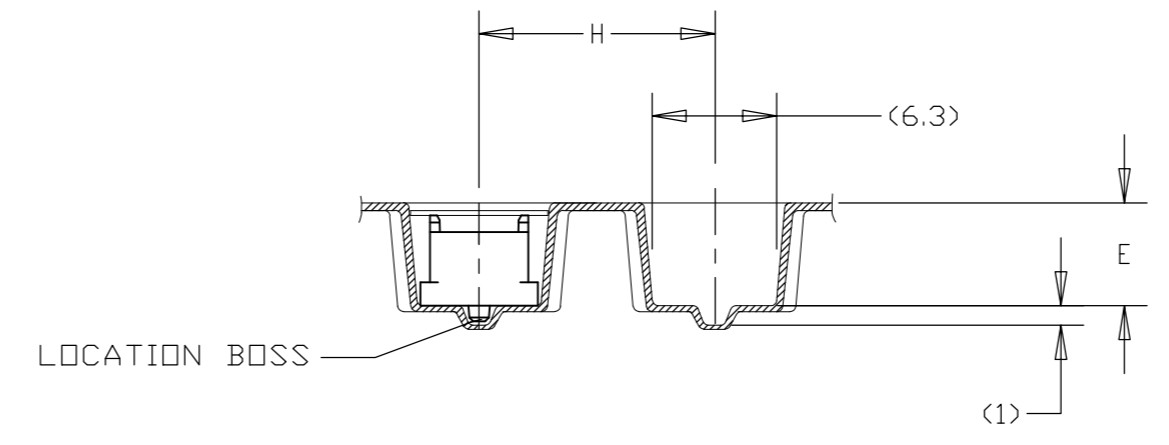
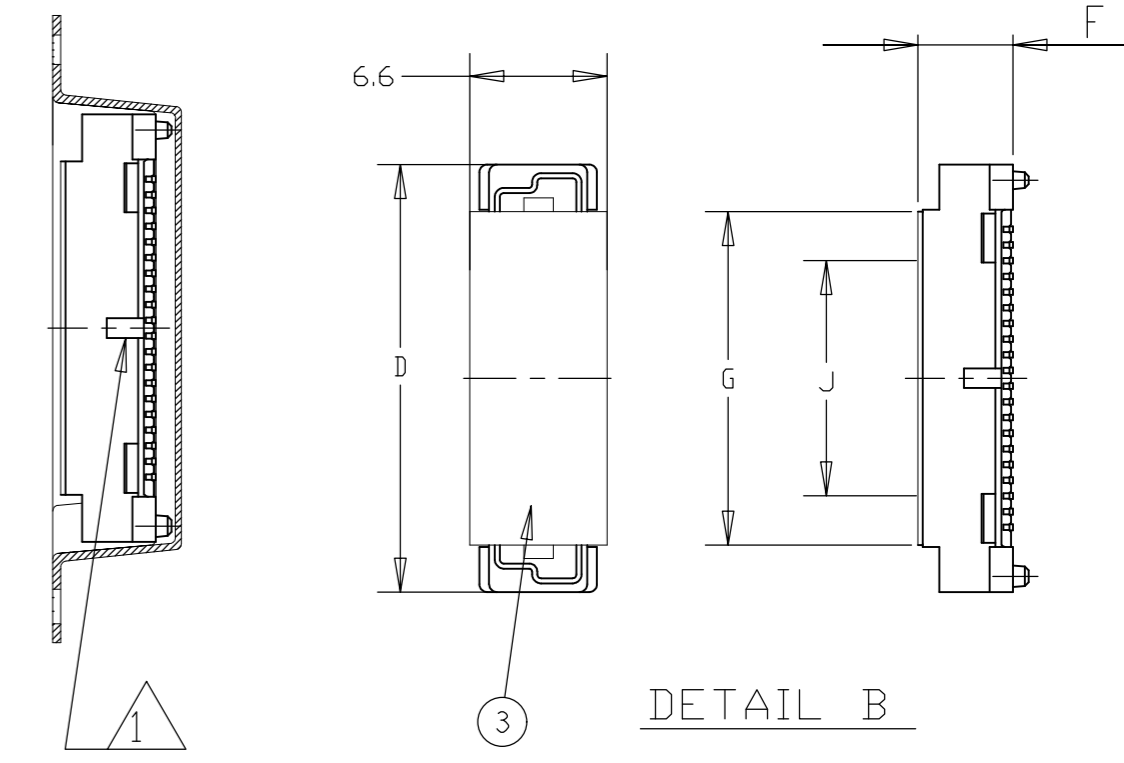
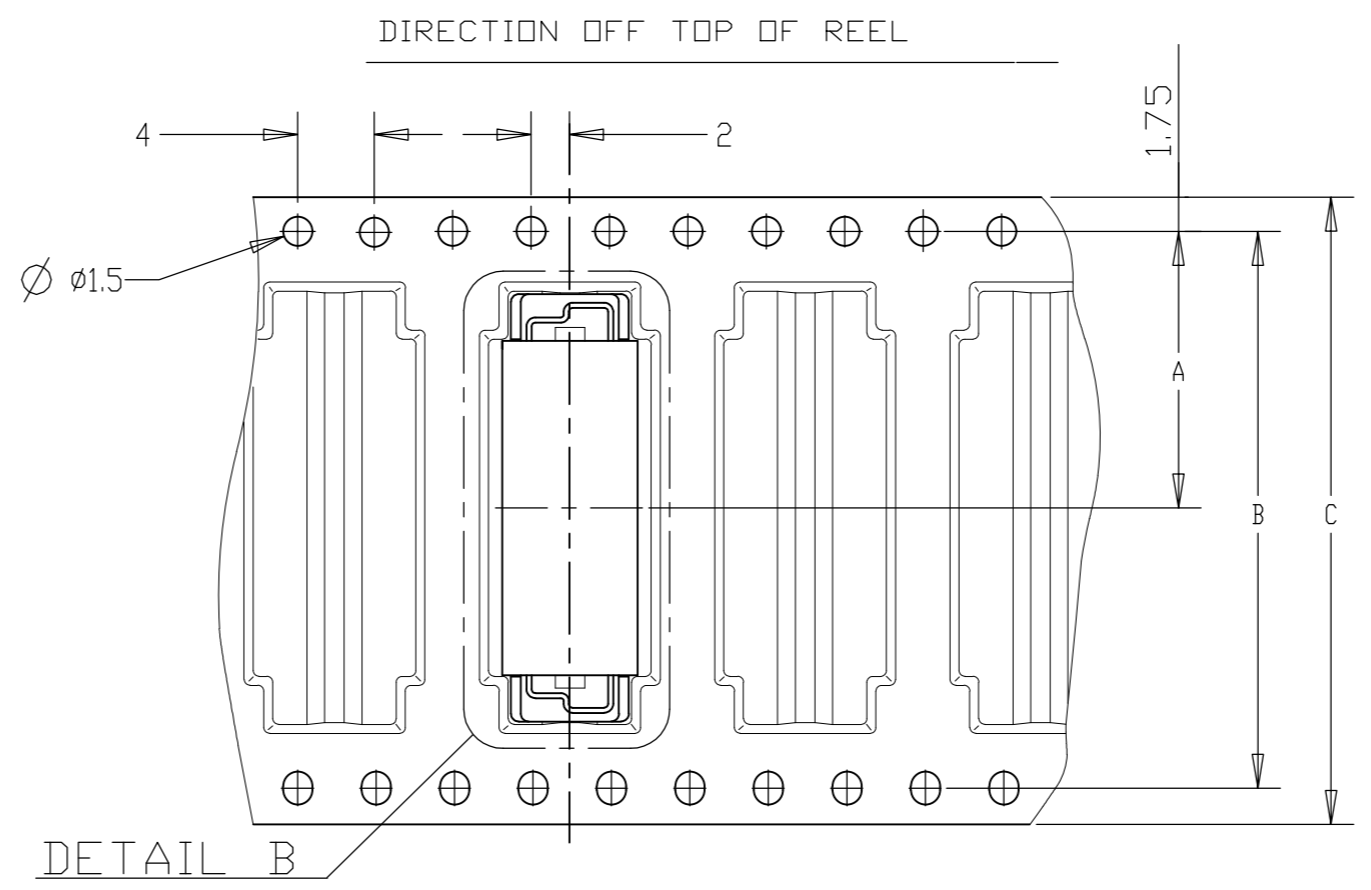
THIS DRAWING IS A CONTROLLED DOCUMENT.		DWN	30AUG2004			TE Connectivity		
DIMENSIONS: mm		CHK	30MAY2012			NAME		
TOLERANCES UNLESS OTHERWISE SPECIFIED:		ERIC TNG		PLUG ASSEMBLY, FH 0.8				
0 PLC ± -		APVD		ON TAPING (EMBOSS) 0.5 BOSS LENGTH				
1 PLC ± 0.2		SF LEONG		APPLICATION SPEC				
2 PLC ± 0.15		PRODUCT SPEC		SIZE				
3 PLC ± 0.1		WEIGHT		CAGE CODE		DRAWING NO		
4 PLC ± -		0		A2 00779		5177986		
ANGLES ± -		CUSTOMER DRAWING		SCALE		SHEET		
FINISH		1:1		1 OF 4		REV		
		F6						

THIS DRAWING IS UNPUBLISHED. RELEASED FOR PUBLICATION
 © COPYRIGHT - TE Connectivity ALL RIGHTS RESERVED.

REVISIONS					
P	LTR	DESCRIPTION	DATE	DWN	APVD
-	-	SEE SHEET 1	-	-	-

LOW HALOGEN

Notes:
 6 0.0002 MIN GOLD PLATING
 (7.8u INCHES GOLD PLATING)



POLYIMIDE COVER

REMARKS	QTY	HEIGHT TYPE	Y	X	J	H	G	F	E	D	C	B	A	POS	SALEABLE PART NO.
															9-5177986-6

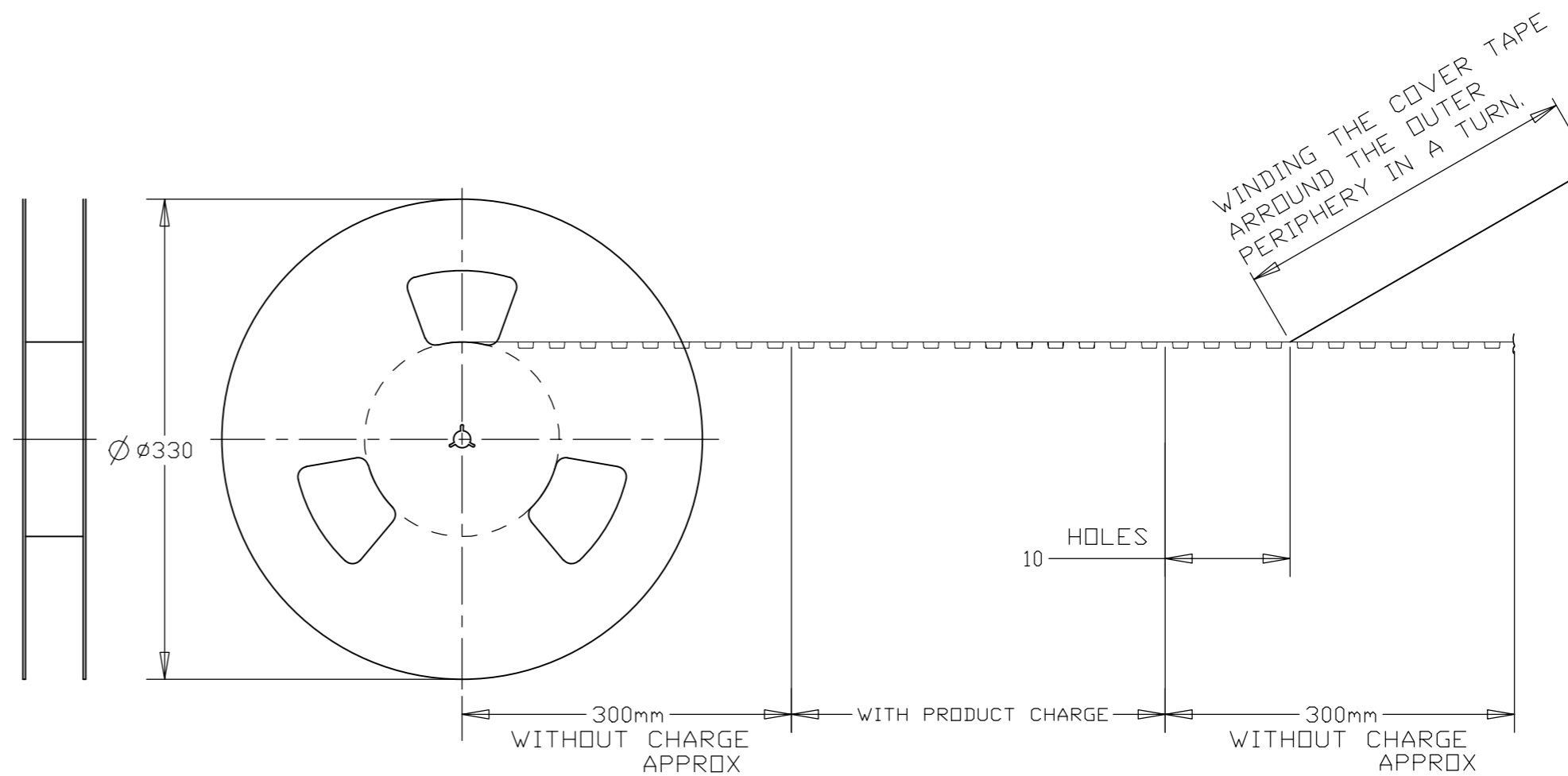
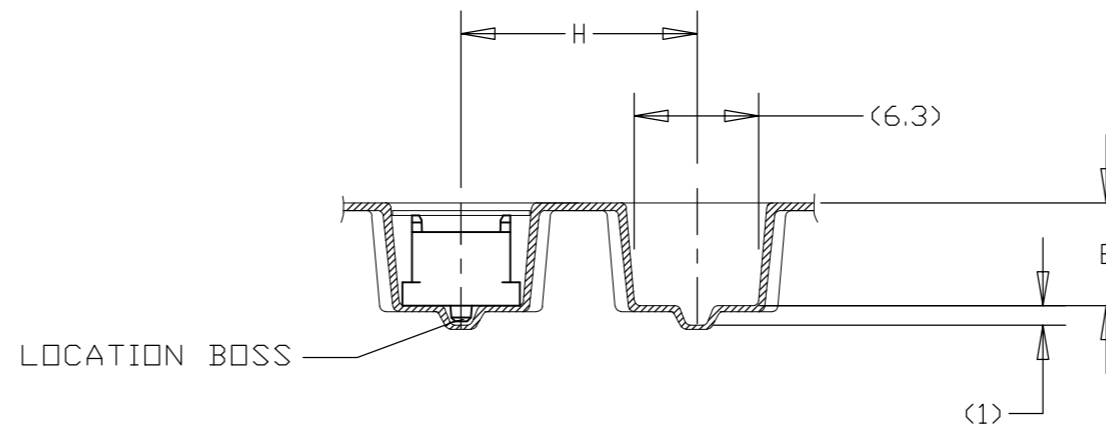
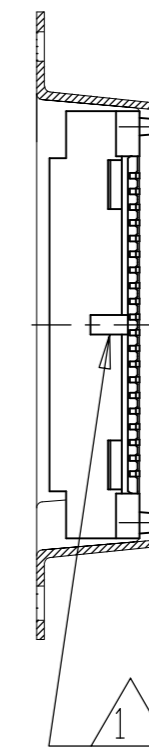
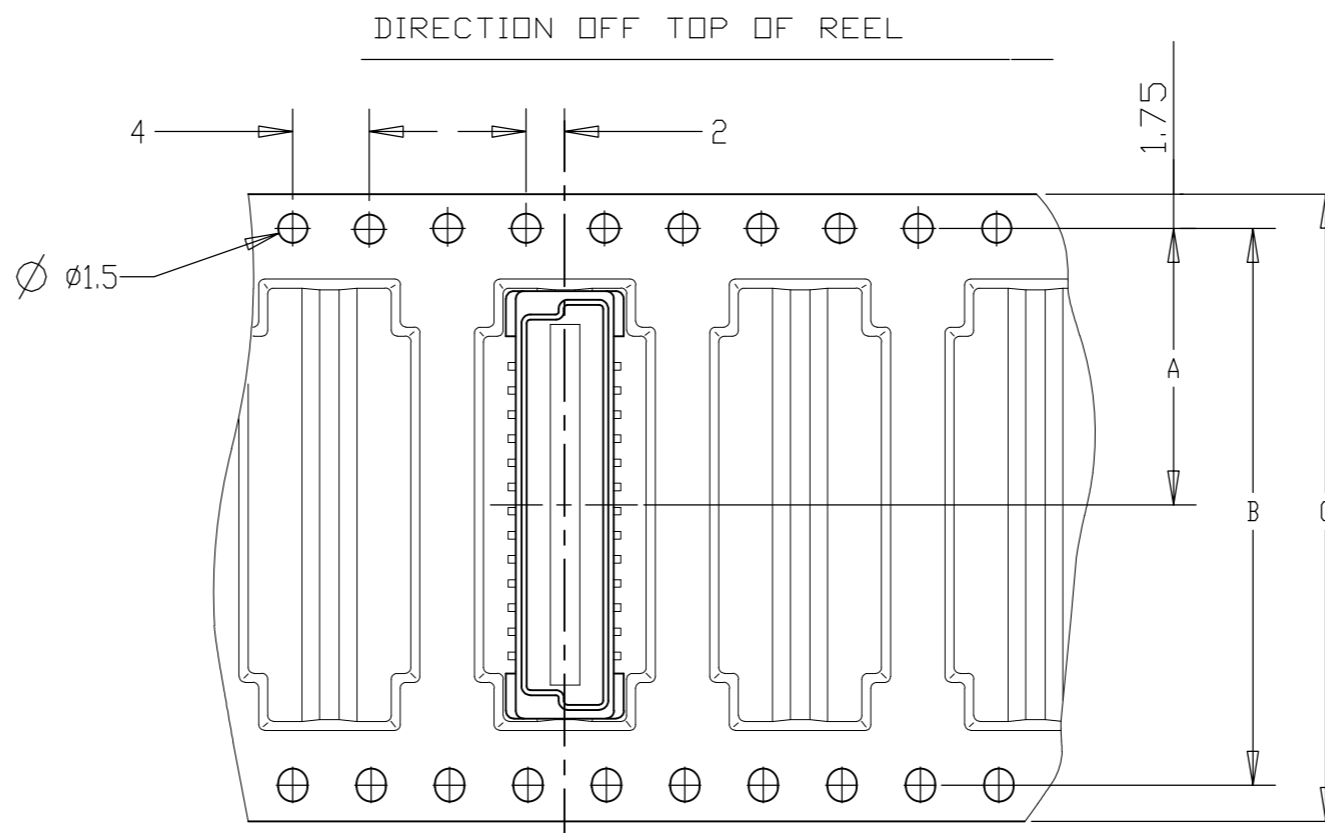
THIS DRAWING IS A CONTROLLED DOCUMENT.		DWN FLORENCE TAN 30AUG2004	TE Connectivity	
DIMENSIONS: mm		CHK ERIC TNG 30MAY2012		
TOLERANCES UNLESS OTHERWISE SPECIFIED:		APVD SF LEONG 30MAY2012	NAME	
0 PLC ± - 1 PLC ± 0.2 2 PLC ± 0.15 3 PLC ± 0.1 4 PLC ± - ANGLES ± -		PRODUCT SPEC		PLUG ASSEMBLY, FH 0.8 ON TAPING (EMBOSS) 0.5 BOSS LENGTH
MATERIAL		APPLICATION SPEC		RESTRICTED TO
FINISH		WEIGHT 0	SIZE A2	CAGE CODE 00779
		DRAWING NO. C-5177986		
		CUSTOMER DRAWING		SCALE 1:1 SHEET 2 of 4 REV F6

THIS DRAWING IS UNPUBLISHED. RELEASED FOR PUBLICATION
 © COPYRIGHT - TE Connectivity ALL RIGHTS RESERVED.

LOW HALOGEN

REVISIONS				
P	LTR	DESCRIPTION	DATE	APVD
-	-	SEE SHEET 1	-	-

Notes:
 2 0.00038 MIN GOLD PLATING
 (15u INCHES GOLD PLATING)



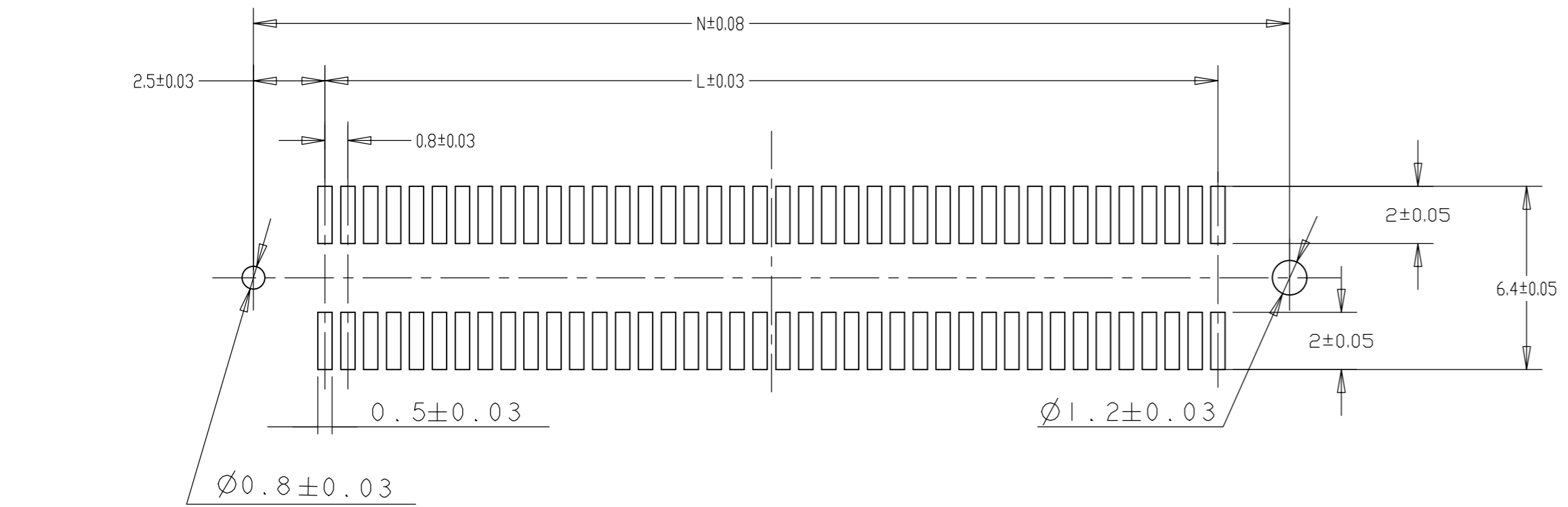
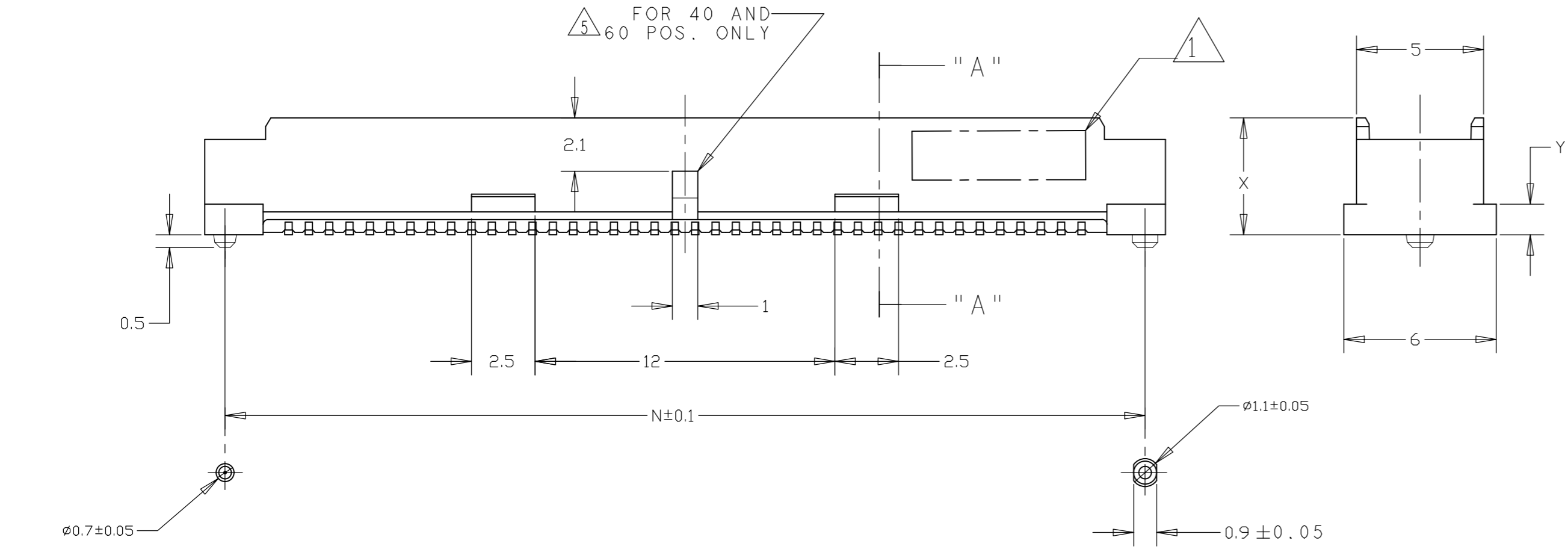
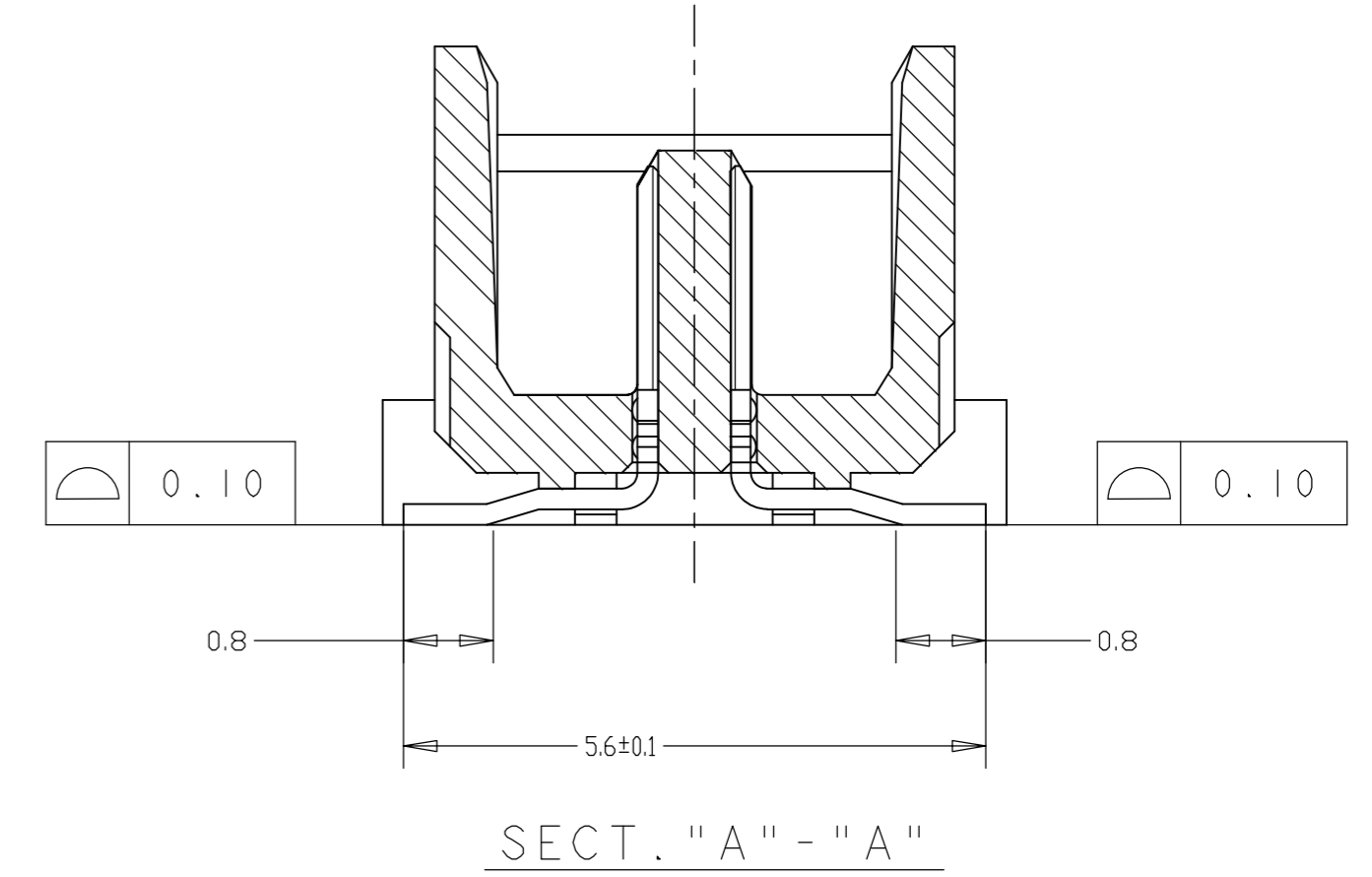
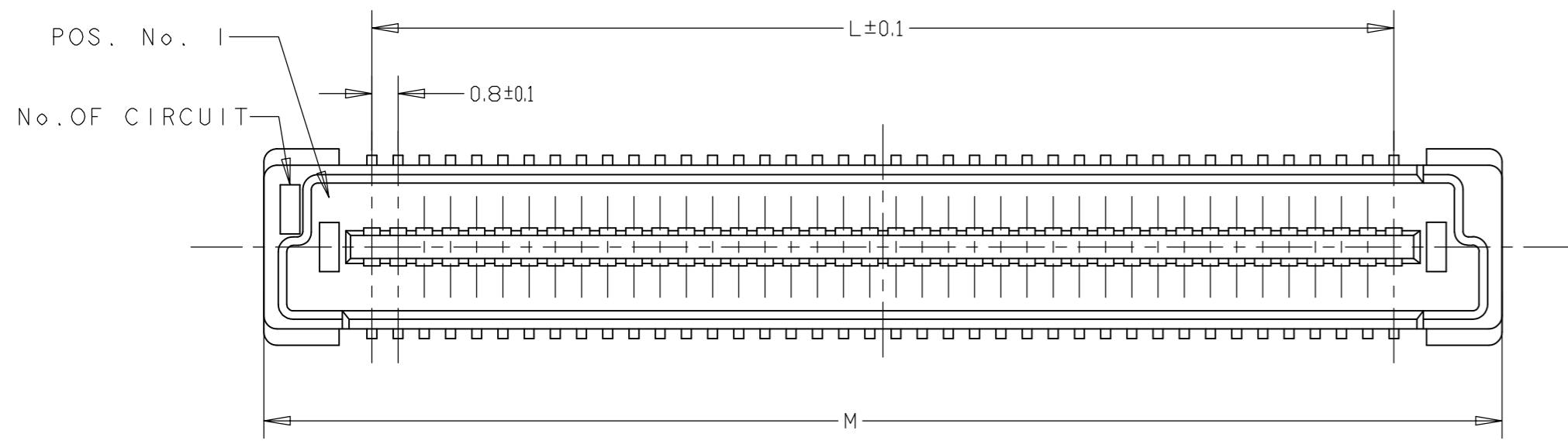
WITHOUT COVER

REMARKS	QTY	HEIGHT TYPE	Y	X	H	E	C	B	A	PDS	SALEABLE PART NO.
	650	5H	1.2	4.6	16	5.25	88	84.4	42.2	160	8-5177986-8
	650	5H	1.2	4.6	16	5.25	72	68.4	34.2	120	8-5177986-5

THIS DRAWING IS A CONTROLLED DOCUMENT.		DWN FLORENCE TAN 30AUG2004	TE Connectivity	
DIMENSIONS: mm		CHK ERIC TNG 30MAY2012		
TOLERANCES UNLESS OTHERWISE SPECIFIED:		APVD SF LEONG 30MAY2012	NAME PLUG ASSEMBLY, FH 0.8 ON TAPING (EMBOSS) 0.5 BOSS LENGTH	
0 PLC ± - 1 PLC ± 0.2 2 PLC ± 0.15 3 PLC ± 0.1 4 PLC ± - ANGLES ± - FINISH -		PRODUCT SPEC -	SIZE A2	CAGE CODE 00779
MATERIAL -		WEIGHT 0	DRAWING NO. C-5177986	RESTRICTED TO -
CUSTOMER DRAWING			SCALE 1:1	SHEET 3 of 4

THIS DRAWING IS UNPUBLISHED. RELEASED FOR PUBLICATION
 © COPYRIGHT - TE Connectivity ALL RIGHTS RESERVED.

REVISIONS				
P	LTR	DESCRIPTION	DATE	APVD
-	-	SEE SHEET 1	-	-



RECOMMENDED P.C. BOARD LAYOUT

LOW HALOGEN

CONNECTOR ONLY

84.2	85.8	79.2	200
76.2	77.8	71.2	180
68.2	69.8	63.2	160
60.2	61.8	55.2	140
52.2	53.8	47.2	120
44.2	45.8	39.2	100
36.2	37.8	31.2	80
28.2	29.8	23.2	60
20.2	21.8	15.2	40
N	M	L	POS.

THIS DRAWING IS A CONTROLLED DOCUMENT.		DWN FLORENCE TAN 30AUG2004	TE Connectivity	
DIMENSIONS: mm		CHK ERIC TNG 30MAY2012	NAME PLUG ASSEMBLY, FH 0.8 ON TAPING (EMBOSS) 0.5 BOSS LENGTH	
TOLERANCES UNLESS OTHERWISE SPECIFIED:		APVD SF LEONG 30MAY2012	PRODUCT SPEC	
0 PLC ± - 1 PLC ± 0.2 2 PLC ± 0.15 3 PLC ± 0.1 4 PLC ± - ANGLES ± -		APPLICATION SPEC		
MATERIAL		WEIGHT 0	SIZE A2	RESTRICTED TO
FINISH		CAGE CODE 00779	DRAWING NO. C-5177986	REV F6
		CUSTOMER DRAWING		SCALE 1:1
		SHEET 4 of 4		

Looking for pricing, stock, or lifecycle information?

Click below to explore more details on WIN SOURCE:

 [View 3-5177986-3 on WIN SOURCE](#)

 [TE Connectivity](#) Information

Optimize Your Supply Chain with WIN SOURCE Solutions

-  Global Sourcing Solution
-  Obsolete Management
-  Cost Control Management
-  Shortage Management
-  Alternative Solution
-  Excess Inventory Management