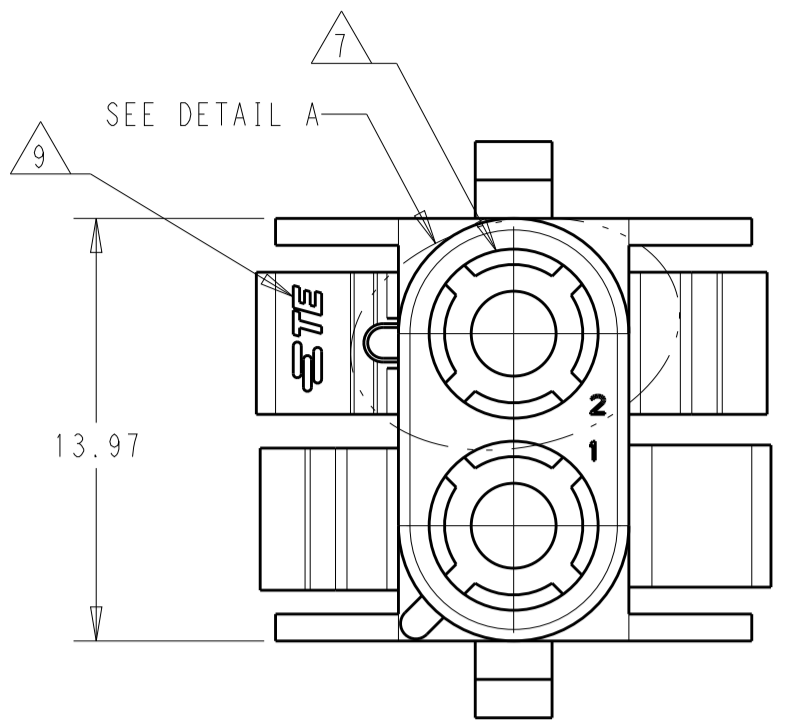
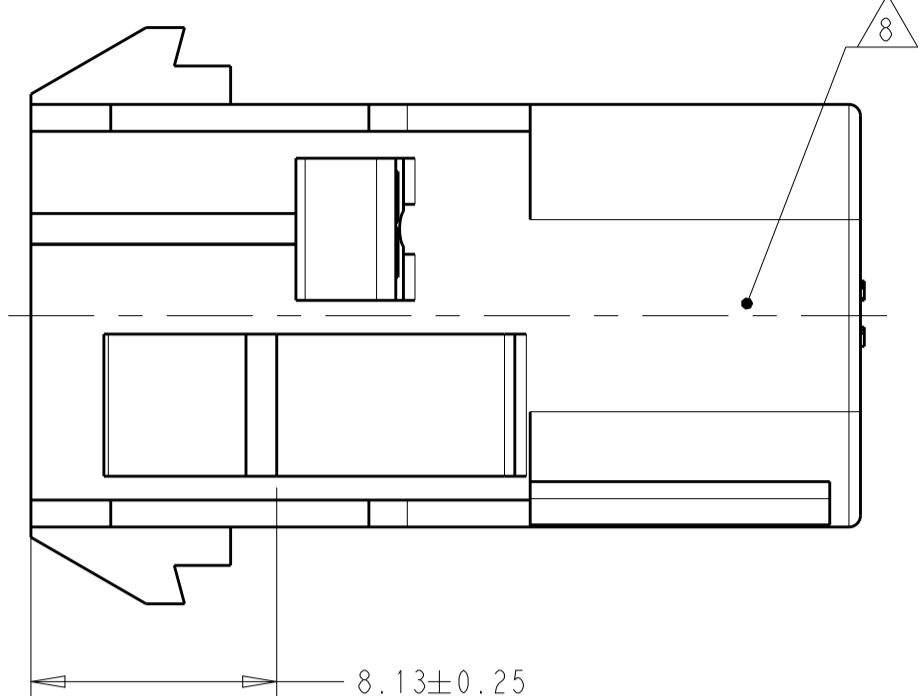
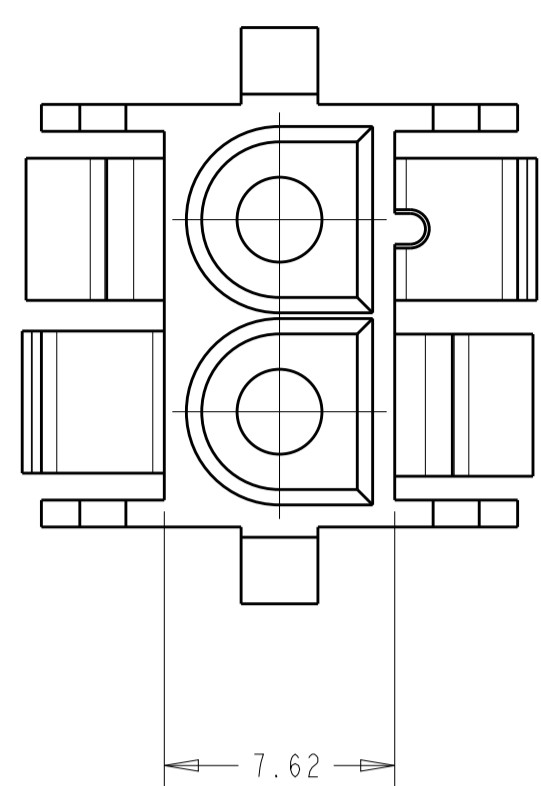




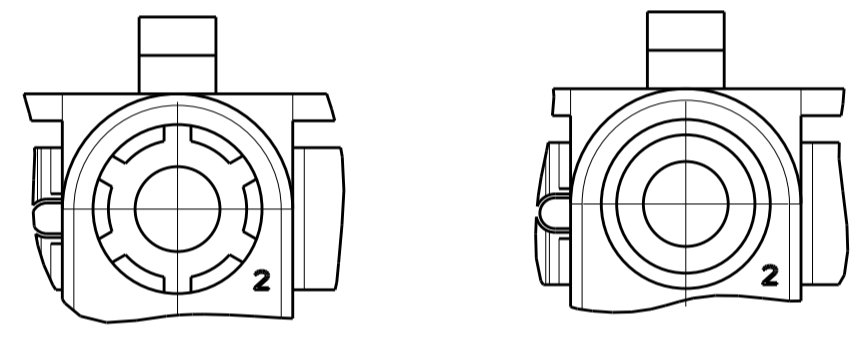
THE DATASHEET OF
350778-1



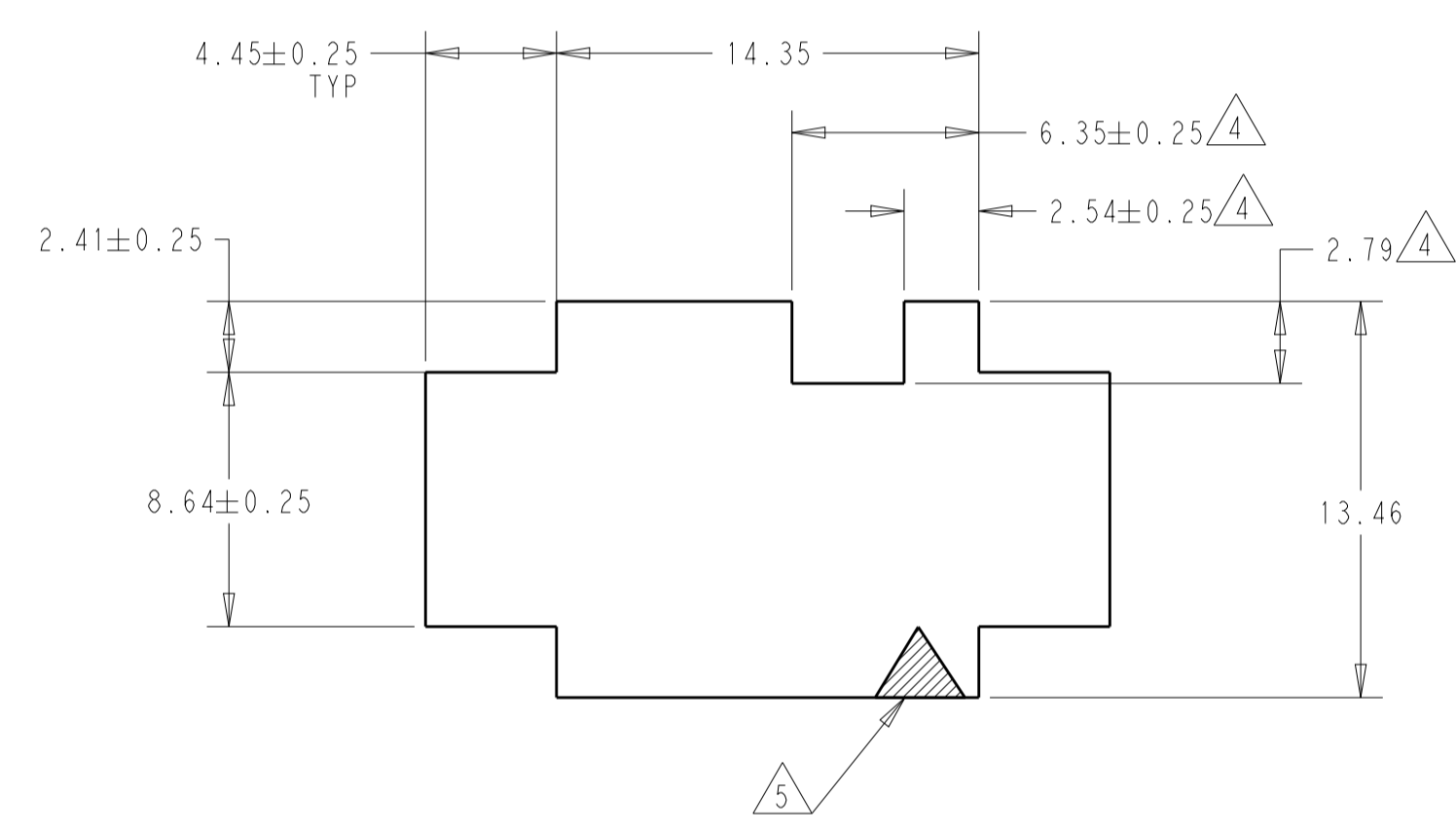
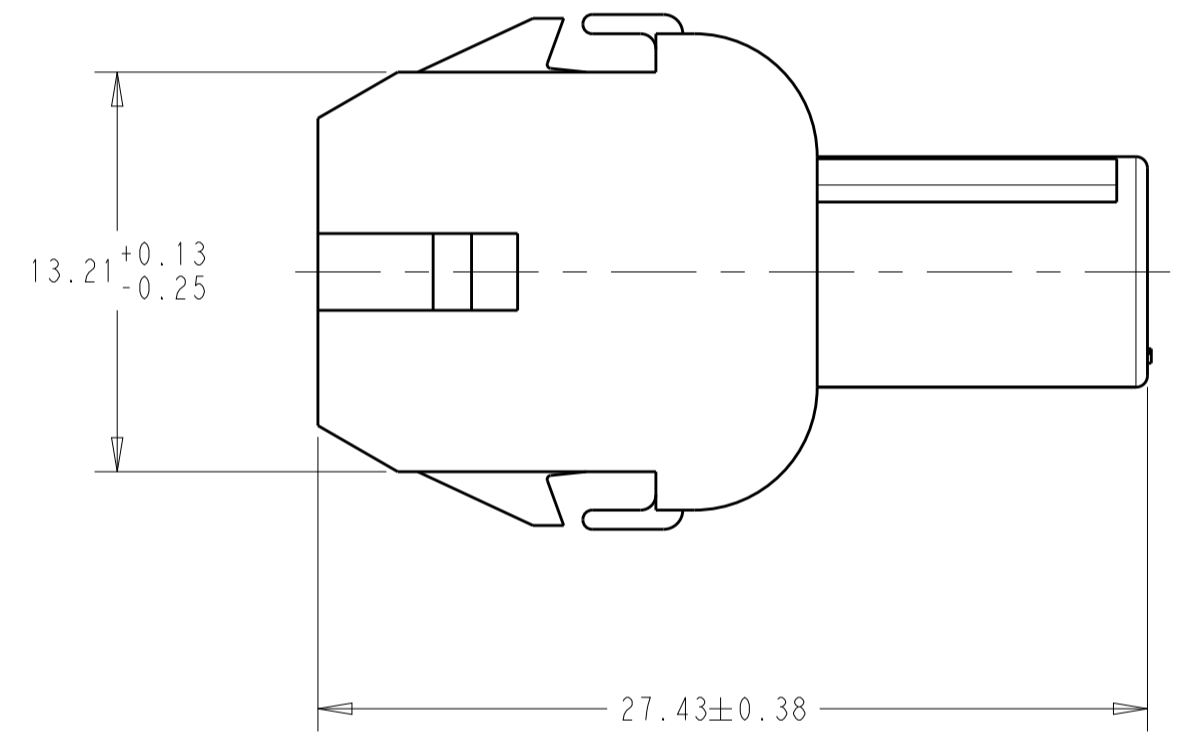
REVISIONS				
P	LTN	DESCRIPTION	DATE	APVD
AG9		REDRAWN PER ECO-19-005708	02MAY2019	BKW SF



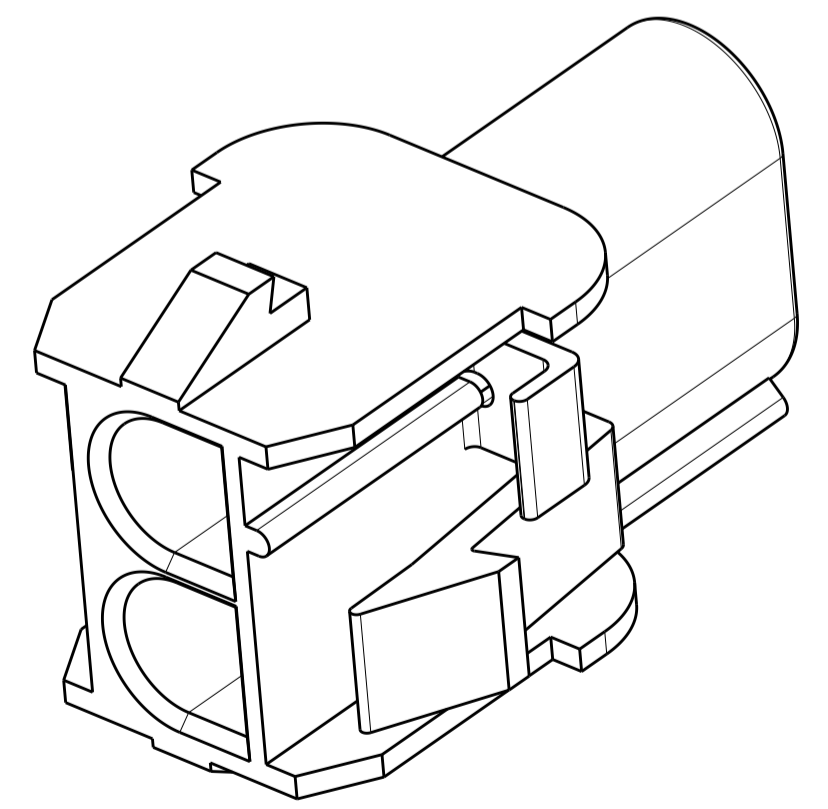
1. MATES WITH APPROPRIATE UNIVERSAL MATE-N-LOCK™ PLUG
2. RECOMMENDED PANEL THICKNESS 0.76 - 2.29.
3. PANEL MUST BE PUNCHED SO THAT THE HOUSING ENTERS THE PANEL IN THE SAME DIRECTION AS THE PUNCH.
4. OPTIONAL FOR KEYING HOUSING IN PANEL.
5. CIRCUIT NUMBER 1 LOCATION.
6. DIMENSIONS SHOWN REPRESENT PRODUCT IN DRY, AS MOLDED, CONDITION. ADDITIONAL 2% GROWTH DUE TO SUBSEQUENT MOISTURE ABSORPTION MAY OCCUR AND SHOULD BE ACCOUNTED FOR.
7. FOUR RIBS EQUALLY SPACED, NO SPECIFIC ORIENTATION. NO RIBS OR SIX RIBS EQUALLY SPACED, NO SPECIFIC ORIENTATION, OPTIONAL.
8. UNDERWRITERS RECOGNIZED COMPONENT LOGO AND CSA CERTIFICATION LOGO TO BE LOCATED ONCE EACH ON SIDE OF HOUSING.
9. TRADEMARK LOCATION: AMP OR TE



DETAIL A
OPTIONAL CONSTRUCTIONS



RECOMMENDED PANEL CUTOUT




BLACK	1-350778-9
GRAY	1-350778-8
BLUE	1-350778-6
GREEN	1-350778-5
YELLOW	1-350778-4
ORANGE	1-350778-3
RED	1-350778-2
BROWN	1-350778-1
NATURAL	350778-1
COLOR	PART NUMBER

THIS DRAWING IS A CONTROLLED DOCUMENT.		DWN B. WEAVER	02MAY2019	STE TE Connectivity
DIMENSIONS:		CHK S. FERNANDES	02MAY2019	
TOLERANCES UNLESS OTHERWISE SPECIFIED:		APVD T. BENCHOFF	02MAY2019	
mm		PRODUCT SPEC		
0 PLC	±	APPLICATION SPEC		NAME CAP, 2 CIRCUIT UNIVERSAL MATE-N-LOCK
1 PLC	±			
2 PLC	±0.13			SIZE
3 PLC	±			CAGE CODE
4 PLC	±			DRAWING NO
ANGLES	±1°			RESTRICTED TO
MATERIAL	NYLON	WEIGHT		A 00779
	UL94V-0	CUSTOMER DRAWING		©=350778
				SCALE
				4:1
				SHEET
				1
				OF
				1
				REV
				V4

Looking for pricing, stock, or lifecycle information?

Click below to explore more details on WIN SOURCE:

 [View 350778-1 on WIN SOURCE](#)

 [TE Connectivity](#) Information

Optimize Your Supply Chain with WIN SOURCE Solutions

-  Global Sourcing Solution
-  Obsolete Management
-  Cost Control Management
-  Shortage Management
-  Alternative Solution
-  Excess Inventory Management