



**THE DATASHEET OF**  
**734154330**



MATERIALS AND FINISHES

OUTER CONTACT: BRASS  
PLATED NICKEL OR GOLD

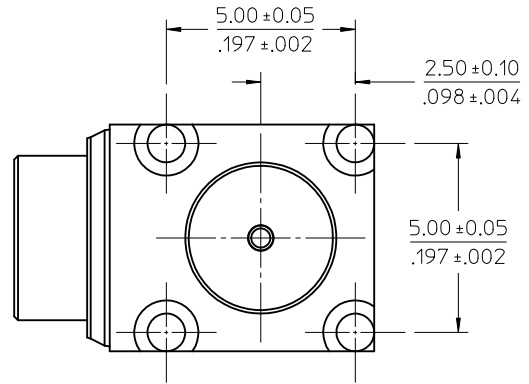
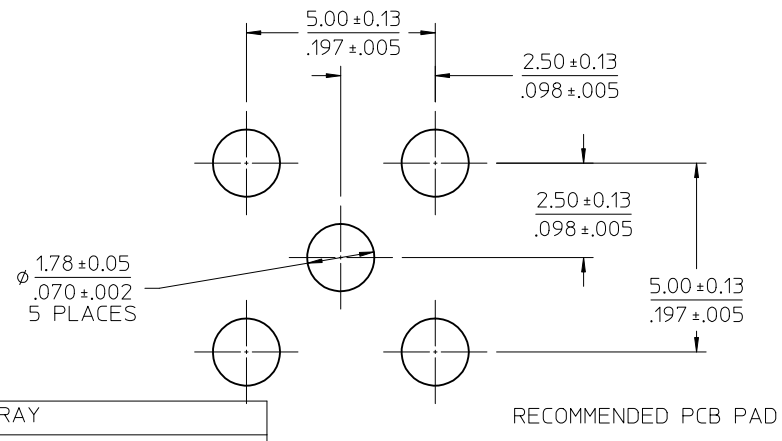
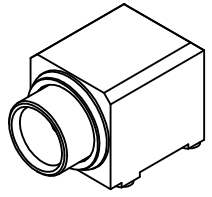
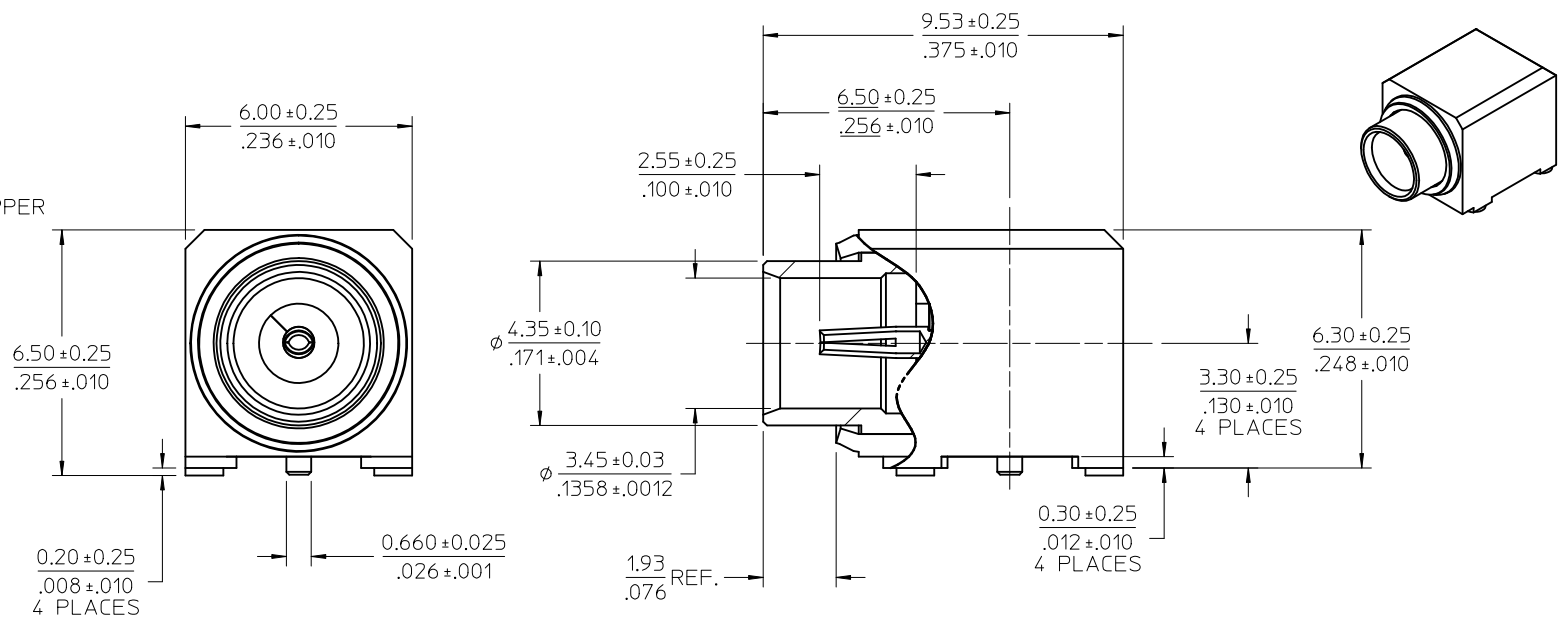
CENTER CONTACT: BERYLLIUM COPPER  
PLATED GOLD

INSULATOR  
TEFLON & ULTEM

HOUSING  
ZINC ALLOY,  
PLATED TRI-M OR GOLD

SPECIFICATION  
PS-73598-0132

PACKAGING  
TRAY OR TAPE AND REEL



73415-4335 (GOLD FLASH)	TRAY
73415-4334 (GOLD FLASH)	TAPE AND REEL
73415-4333 (GOLD PLATING)	TAPE AND REEL
73415-4332 (GOLD PLATING)	TRAY
73415-4331 (Ni/TRI-M)	TAPE AND REEL
73415-4330 (Ni/TRI-M)	TRAY
PART NUMBER	PACKAGING

ADDED P/N: 73415-4334/-4335 PER PDR110912	EC NO: URF2012-0192	DRWNLIN 2011/10/11
CHKD:	APPR:MHUANG	2011/10/25
A6		

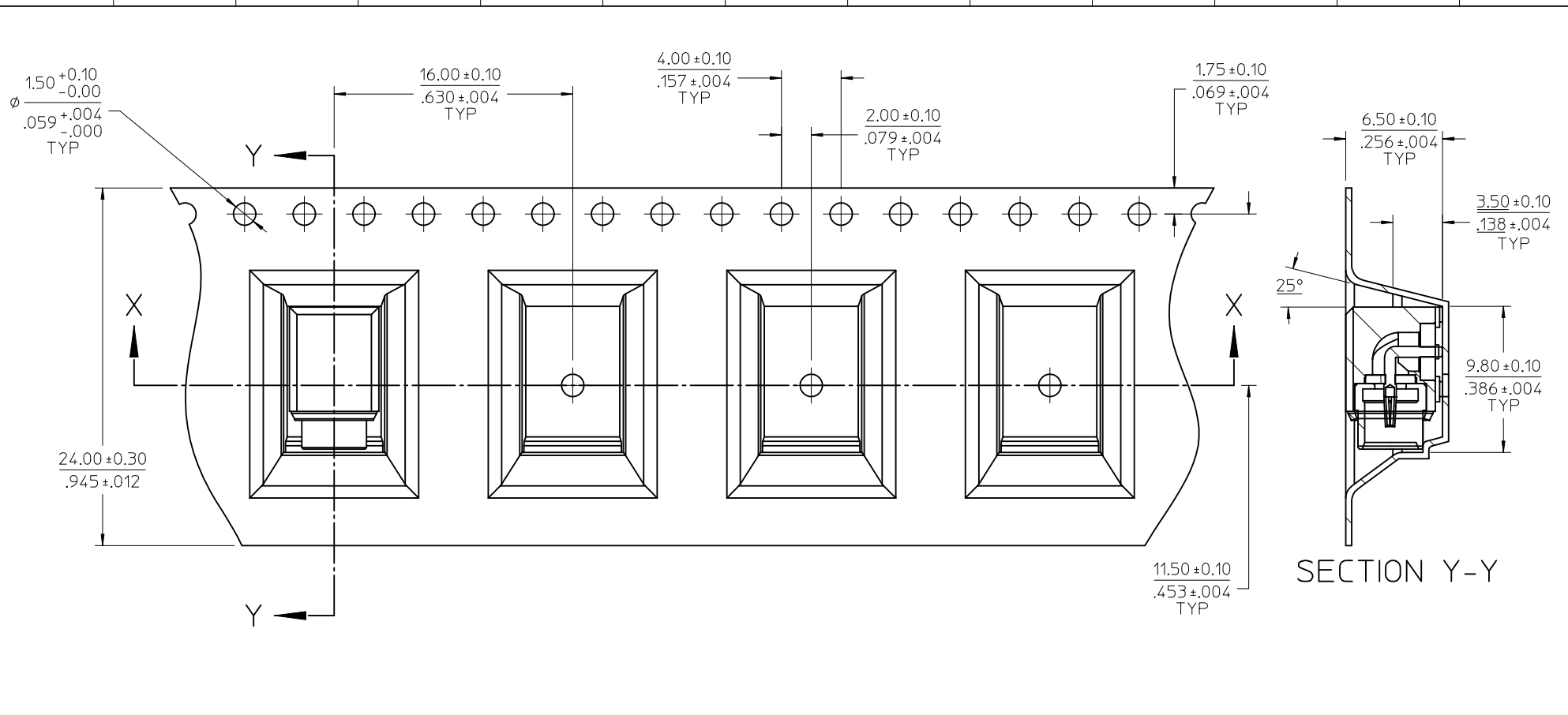
QUALITY SYMBOLS	GENERAL TOLERANCES (UNLESS SPECIFIED)
▽=0	mm INCH
▽=0	4 PLACES ± --- ± ---
	3 PLACES ± --- ± ---
	2 PLACES ± --- ± ---
	1 PLACE ± --- ± ---
	ANGULAR ± 2 °

DRAWN BY	DATE
SSS	2004/04/30
CHECKED BY	DATE
TEF	2004/04/30
APPROVED BY	DATE
SSS	2004/04/30
MATERIAL NO.	DOCUMENT NO.
SEE TABLE	SD-73415-433

DIMENSION STYLE	
MM/IN	
SCALE	
DESIGN UNITS	
METRIC	

THIRD ANGLE PROJECTION	
TITLE	
MCX JACK, R/A SMT TYPE	
75 OHMS	
MCX-J/RA/PCB	
MOLEX INCORPORATED	
SHEET NO.	
1 OF 2	
THIS DRAWING CONTAINS INFORMATION THAT IS PROPRIETARY TO MOLEX INCORPORATED AND SHOULD NOT BE USED WITHOUT WRITTEN PERMISSION	

13 12 11 10 9 8 7 6 5 4 3 2 1



SECTION Y-Y

SECTION X-X

<b>CHG: SEE SHEET 1</b> EC NO: URF2012-0192 DRWNLN: 2011/10/11 CHKD: APPR: MHIANG 2011/10/25 DESCRIPTION	QUALITY SYMBOLS	GENERAL TOLERANCES (UNLESS SPECIFIED)	DIMENSION STYLE	SCALE	DESIGN UNITS	THIRD ANGLE PROJECTION																													
	$\nabla=0$ $\nabla=0$	<table border="1"> <thead> <tr> <th></th> <th>mm</th> <th>INCH</th> </tr> </thead> <tbody> <tr> <td>4 PLACES</td> <td><math>\pm</math> ---</td> <td><math>\pm</math> ---</td> </tr> <tr> <td>3 PLACES</td> <td><math>\pm</math> ---</td> <td><math>\pm</math> ---</td> </tr> <tr> <td>2 PLACES</td> <td><math>\pm</math> ---</td> <td><math>\pm</math> ---</td> </tr> <tr> <td>1 PLACE</td> <td><math>\pm</math> ---</td> <td><math>\pm</math> ---</td> </tr> </tbody> </table>		mm	INCH	4 PLACES	$\pm$ ---	$\pm$ ---	3 PLACES	$\pm$ ---	$\pm$ ---	2 PLACES	$\pm$ ---	$\pm$ ---	1 PLACE	$\pm$ ---	$\pm$ ---	<table border="1"> <thead> <tr> <th colspan="2">MM/IN</th> </tr> <tr> <th>DRAWN BY</th> <th>DATE</th> </tr> </thead> <tbody> <tr> <td>SSS</td> <td>2004/04/30</td> </tr> <tr> <th colspan="2">CHECKED BY</th> </tr> <tr> <td>TEF</td> <td>2004/04/30</td> </tr> <tr> <th colspan="2">APPROVED BY</th> </tr> <tr> <td>SSS</td> <td>2004/04/30</td> </tr> </tbody> </table>	MM/IN		DRAWN BY	DATE	SSS	2004/04/30	CHECKED BY		TEF	2004/04/30	APPROVED BY		SSS	2004/04/30	TITLE	Metric	
		mm	INCH																																
	4 PLACES	$\pm$ ---	$\pm$ ---																																
3 PLACES	$\pm$ ---	$\pm$ ---																																	
2 PLACES	$\pm$ ---	$\pm$ ---																																	
1 PLACE	$\pm$ ---	$\pm$ ---																																	
MM/IN																																			
DRAWN BY	DATE																																		
SSS	2004/04/30																																		
CHECKED BY																																			
TEF	2004/04/30																																		
APPROVED BY																																			
SSS	2004/04/30																																		
DRAFT WHERE APPLICABLE MUST REMAIN WITHIN DIMENSIONS	MATERIAL NO. <b>SEE TABLE</b>	DOCUMENT NO. <b>SD-73415-433</b>	SHEET NO. <b>2 OF 2</b>																																
A6	SIZE 	THIS DRAWING CONTAINS INFORMATION THAT IS PROPRIETARY TO MOLEX INCORPORATED AND SHOULD NOT BE USED WITHOUT WRITTEN PERMISSION																																	

MCX JACK, R/A SMT TYPE  
75 OHMS  
MCX-J/RA/PCB  
MOLEX INCORPORATED

12 11 10 9 8 7 6 5 4 3 2 1

MATERIALS AND FINISHES

OUTER CONTACT: BRASS  
PLATED NICKEL OR GOLD

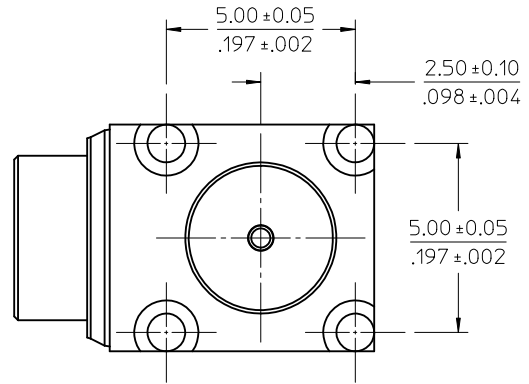
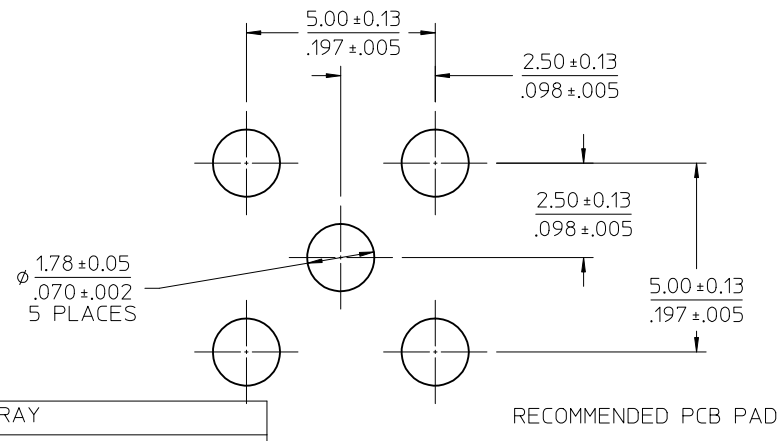
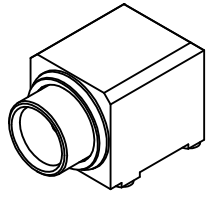
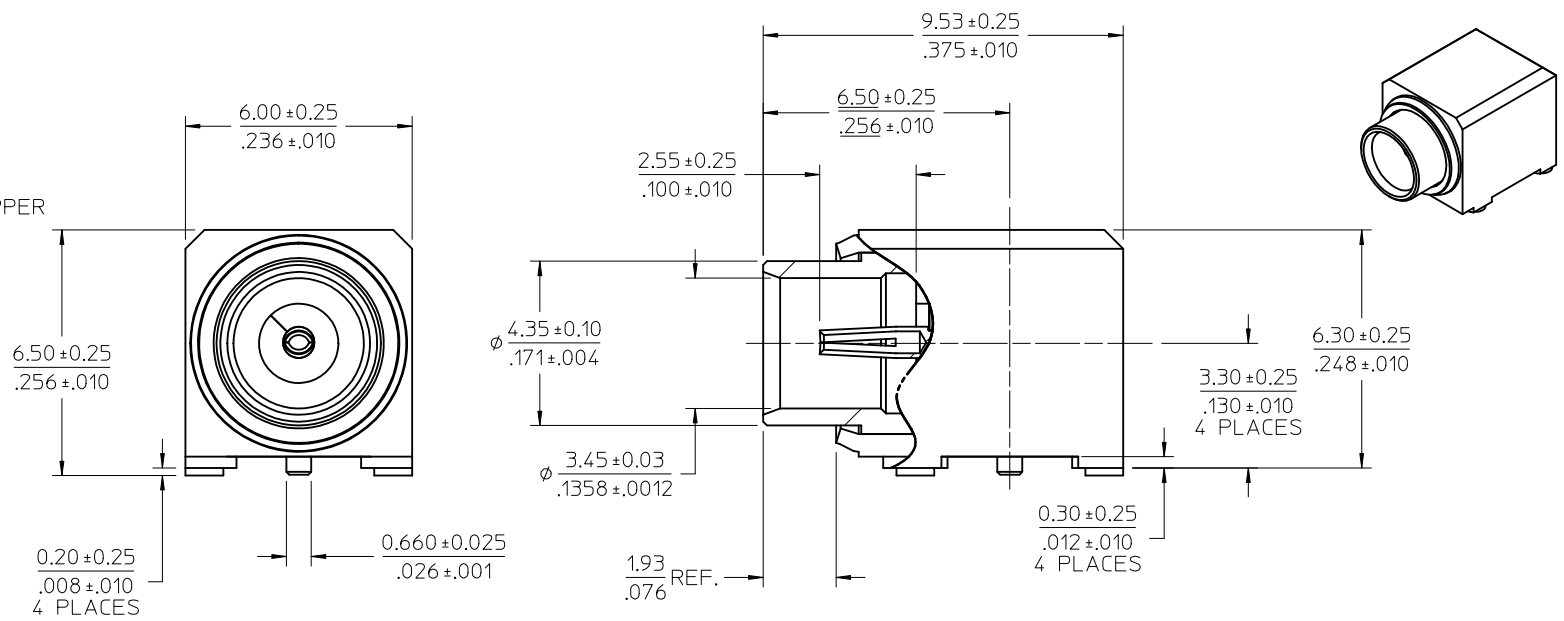
CENTER CONTACT: BERYLLIUM COPPER  
PLATED GOLD

INSULATOR  
TEFLON & ULTEM

HOUSING  
ZINC ALLOY,  
PLATED TRI-M OR GOLD

SPECIFICATION  
PS-73598-0132

PACKAGING  
TRAY OR TAPE AND REEL



73415-4335 (GOLD FLASH)	TRAY
73415-4334 (GOLD FLASH)	TAPE AND REEL
73415-4333 (GOLD PLATING)	TAPE AND REEL
73415-4332 (GOLD PLATING)	TRAY
73415-4331 (Ni/TRI-M)	TAPE AND REEL
73415-4330 (Ni/TRI-M)	TRAY
PART NUMBER	PACKAGING

ADDED P/N: 73415-4334/-4335 PER PDR110912	EC NO: URF2012-0192	DRWNLIN 2011/10/11
CHKD: APPR:MHUANG	2011/10/25	DESCRIPTION
A6		

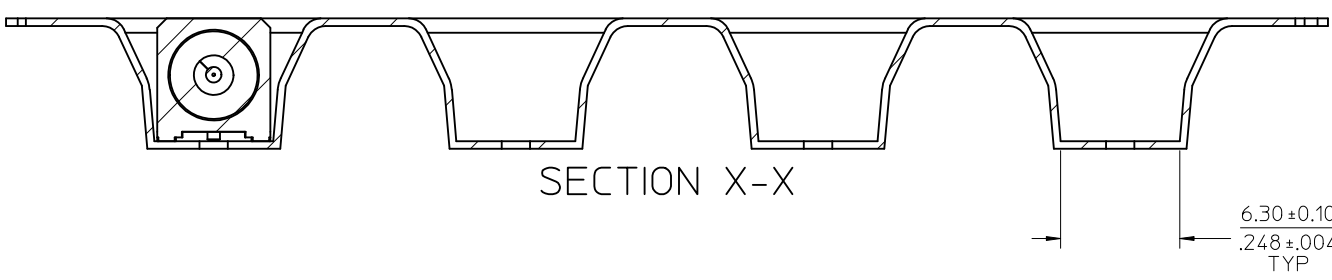
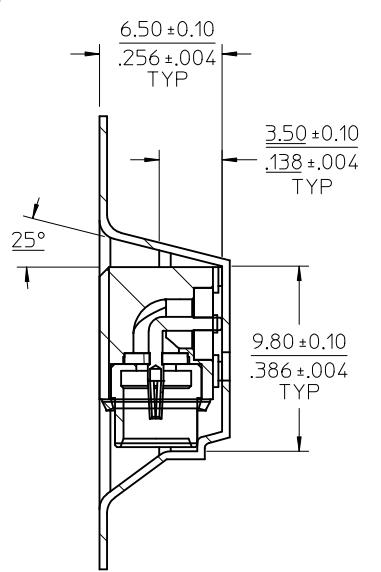
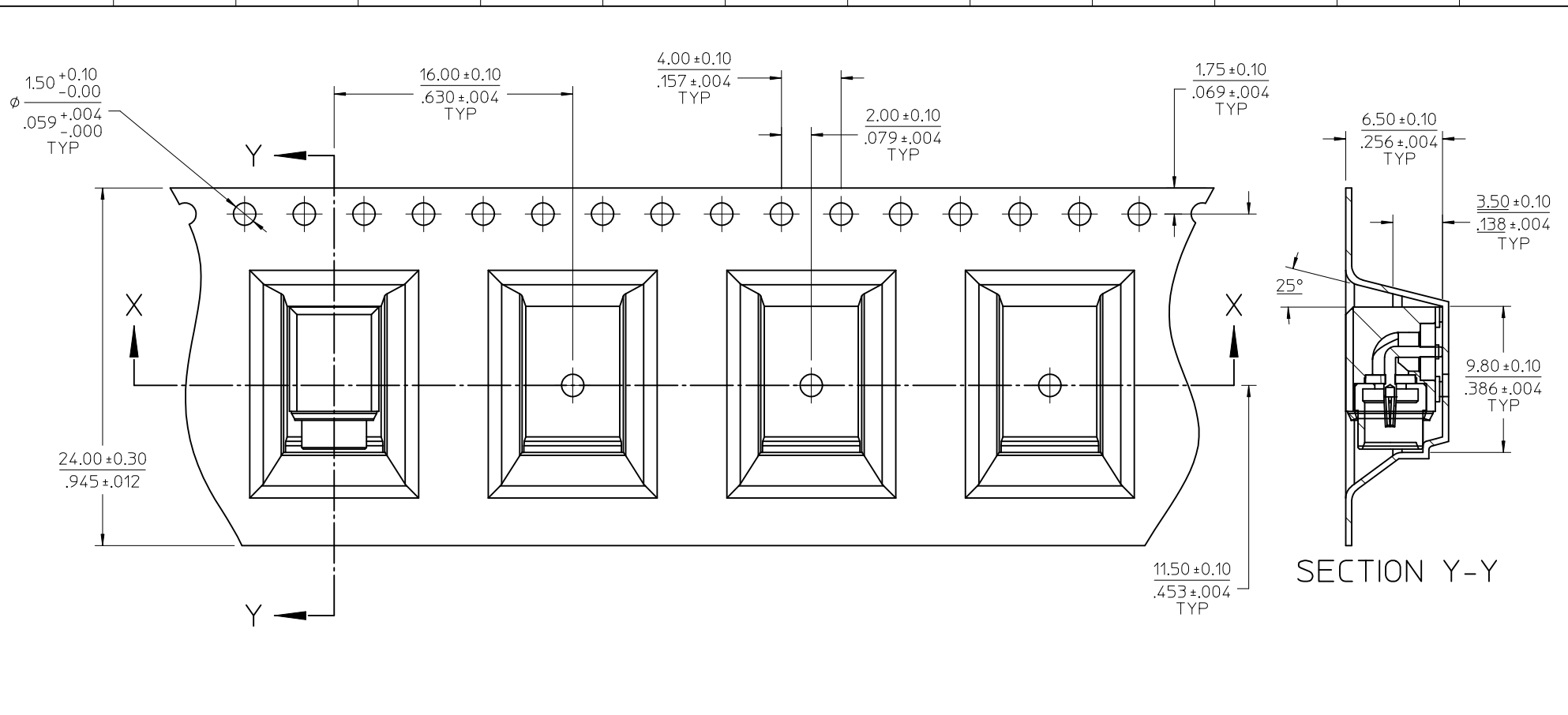
QUALITY SYMBOLS	GENERAL TOLERANCES (UNLESS SPECIFIED)
▽=0	mm INCH
▽=0	4 PLACES ± --- ± ---
	3 PLACES ± --- ± ---
	2 PLACES ± --- ± ---
	1 PLACE ± --- ± ---
	ANGULAR ± 2 °

DRAWN BY	DATE
SSS	2004/04/30
CHECKED BY	DATE
TEF	2004/04/30
APPROVED BY	DATE
SSS	2004/04/30
MATERIAL NO.	DOCUMENT NO.
SEE TABLE	SD-73415-433

DIMENSION STYLE	SCALE	DESIGN UNITS	THIRD ANGLE PROJECTION
MM/IN		METRIC	

TITLE	MATERIAL NO.	DOCUMENT NO.	SHEET NO.
MCX JACK, R/A SMT TYPE 75 OHMS MCX-J/RA/PCB	SEE TABLE	SD-73415-433	1 OF 2
MOLEX INCORPORATED			
THIS DRAWING CONTAINS INFORMATION THAT IS PROPRIETARY TO MOLEX INCORPORATED AND SHOULD NOT BE USED WITHOUT WRITTEN PERMISSION			

13 12 11 10 9 8 7 6 5 4 3 2 1



SECTION X-X

SECTION Y-Y

CHG: SEE SHEET 1 EC NO: URF2012-0192 DRWNLIN 2011/10/11 CHKD: APPR: MHIUANG 2011/10/25 DESCRIPTION	QUALITY SYMBOLS	GENERAL TOLERANCES (UNLESS SPECIFIED)	DIMENSION STYLE	SCALE	DESIGN UNITS	THIRD ANGLE PROJECTION	
	$\nabla=0$ $\nabla=0$	mm INCH 4 PLACES $\pm$ --- $\pm$ --- 3 PLACES $\pm$ --- $\pm$ --- 2 PLACES $\pm$ --- $\pm$ --- 1 PLACE $\pm$ --- $\pm$ --- ANGULAR $\pm 2^\circ$	MM/IN	DRAWN BY DATE SSS 2004/04/30 CHECKED BY DATE TEF 2004/04/30 APPROVED BY DATE SSS 2004/04/30	METRIC	TITLE MCX JACK, R/A SMT TYPE 75 OHMS MCX-J/RA/PCB	SHEET NO. 2 OF 2
		DRAFT WHERE APPLICABLE MUST REMAIN WITHIN DIMENSIONS	SEE TABLE	MATERIAL NO.	DOCUMENT NO.	MOLEX INCORPORATED SD-73415-433	
	A6			SIZE C	THIS DRAWING CONTAINS INFORMATION THAT IS PROPRIETARY TO MOLEX INCORPORATED AND SHOULD NOT BE USED WITHOUT WRITTEN PERMISSION		

## Looking for pricing, stock, or lifecycle information?

Click below to explore more details on WIN SOURCE:

 [View 734154330 on WIN SOURCE](#)

 [Molex, LLC Information](#)

## Optimize Your Supply Chain with WIN SOURCE Solutions

-  Global Sourcing Solution
-  Obsolete Management
-  Cost Control Management
-  Shortage Management
-  Alternative Solution
-  Excess Inventory Management