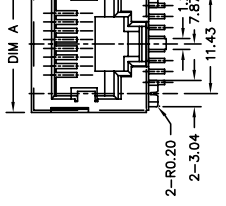




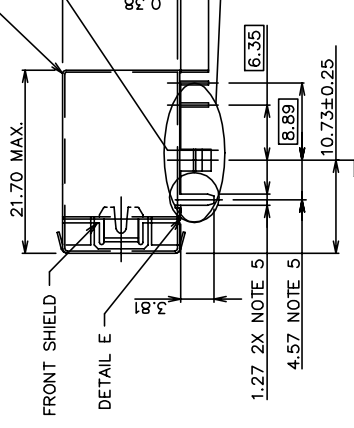
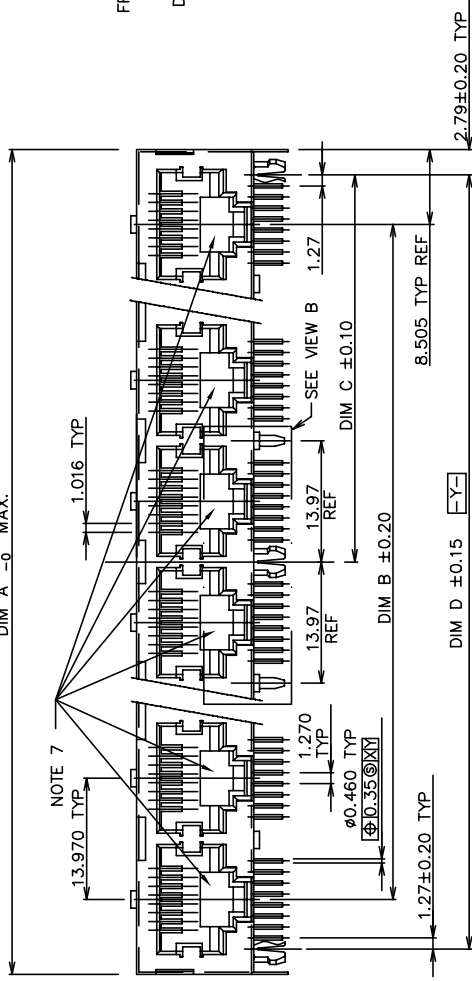
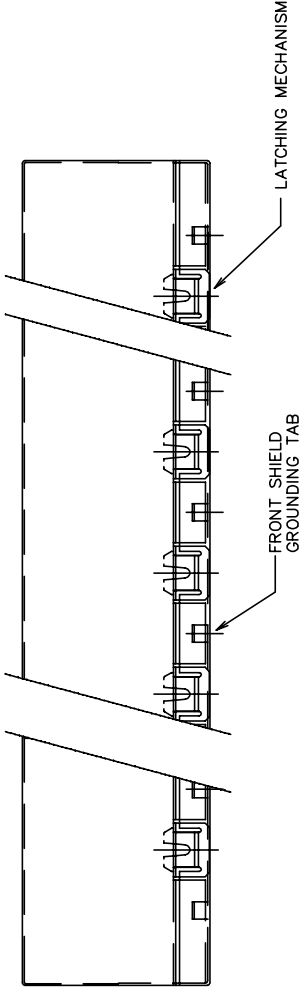
THE DATASHEET OF
95678-301ALF



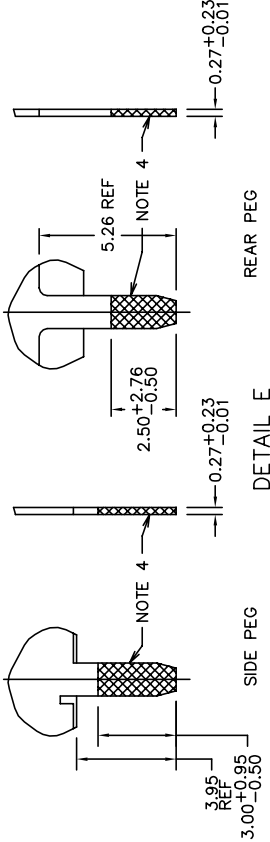
PRODUCT NO.
SEE TABLE



THIS
WITH
NO C



GROUND TAB LOCATION
FOR 2 THRU 12 PORT



DETAIL E
SCALE: 3/1

mat'l. code	Surface	ISO 1301	tolerances un
R	EX-N-0101	SH	03/27/12
J	V03-1103	PJ	10/23/03
K	N04-0101	MHT	1/12/05
L	N06-0225	LONG	8/25/06
M	N06-0289	LONG	12/06/06
N	N08-0100	SH	09/25/08
P	EX-N-00784	SH	2011-11-17

sheet	revisio	n	R	R	R	R	R
1	2	3	4	5			

Form: A4mmXLC

PRODUCT NO	PORTS NO	DIA A ±.00	DIM B	DIM C±0.10	DIM D±0.15	GROUND LEG NUMBER ON THE BACK (VIEW B)	COMMENT
95678-X01							
95678-X01LF	1	15.74	-	5.715	11.43	SEE DIAGRAM ON SHT. 3	NOTE 5
95678-X01NLF							
95678-X0100							
95678-X0100LF							
95678-X01A	1	15.74	-	5.715	11.43		NOTE 5
95678-X01ALF							
95678-X01ANLF							
95678-X02YZ							
95678-X02ZLF	2	30.98	13.97	12.700	25.40		NO TOOL
95678-X03YZ							
95678-X03ZLF	3	44.95	27.94	19.685	39.37		NO TOOL
95678-X04YZ							
95678-X04ZLF	4	58.92	41.91	26.670	53.34		NO TOOL
95678-X04NYZLF							
95678-X05YZ							
95678-X05ZLF	5	72.80	55.88	33.655	67.31		NO TOOL
95678-X06YZ							
95678-X06ZLF	6	86.86	69.85	40.640	81.28		NO TOOL
95678-X07YZ							
95678-X07ZLF	7	100.83	83.82	47.625	95.25		NO TOOL
95678-X07NYZLF							
95678-X08YZ							
95678-X08ZLF	8	114.80	97.79	54.610	109.22		NO TOOL
95678-X08NYZLF							
95678-X09YZ							
95678-X09ZLF	9	128.77	111.76	61.595	123.19		NO TOOL
95678-X09NYZLF							
95678-X10YZ							
95678-X10ZLF	10	142.74	125.73	68.580	137.16		NO TOOL
95678-X10NYZLF							
95678-X11YZ							
95678-X11ZLF	11	156.71	139.70	75.565	151.13		NO TOOL
95678-X11NYZLF							
95678-X12YZ							
95678-X12ZLF	12	170.68	153.67	82.550	165.10		NO TOOL
95678-X12NYZLF							

FRONT SHIELD CODE Y

0 = STANDARD GRND. TABS
1 = NO GRND. TABS

REAR SHIELD CODE Z

0 = STANDARD GRND. LEGS
1 = 1 GRND. LEG
2 = ALL GRND. LEGS
3 = NO GRND. LEGS

PLATING CODE X	PLATING
0	5u" Au + high performance lubricant
1	15u" GOLD. (11)
3	5u" Au + high performance lubricant (11)
5	50u" GTX.

NOTE: PLEASE CHECK FOR AVAILABILITY, NOT ALL OPTIONS AVAILABLE.

NOTES:

1. RECOMMENDED P.C.B
2. HOUSING MAT'L: HIGH
3. CONTACTS: PHOS BR 0.460 ROUND WIRE, F
4. SHIELD MAT'L: BRASS
SHIELD PLATING:
-FOR 95678-X01
BRIGHT TIN LEAD
- LEAD FREE OPTION:
-FOR 95678-X01N
NICKEL, 30u"MIN
ON SOLDER TAIL
-FOR 95678-X01L
BRIGHT PURE TIN
5. SEE SIDE VIEW ON S
6. ALL DIMENSIONS IN M
7. COMPANY LOGO LOO
8. PART NUMBERS WITH
9. LEAD FREE STATEMEN
10. AN OTHER COUNTRY RE
11. THE HOUSING TEMPE
12. TEMPERATURE FOR 15 S
- 1.5 MM MINIMUM THICK
- IF THEY ARE AVAILABLE
- EQUIVALENT THICKNESS
- FUNCTION AND THEY AR
12. PRODUCT SPECIFICATION
- PRODUCT PACKAGING SP

mat'l. code	Surface
ISO 1301	ISO 1301
tolerances ur	tolerances ur
angle	angle
0	0
0±2'	0±2'
dir	dir
L.POTTIEGE	L.POTTIEGE
eng Y.BELOPOLS	eng Y.BELOPOLS
chr Y.BELOPOLS	chr Y.BELOPOLS
app Y.BELOPOLS	app Y.BELOPOLS
sheet index	revision sheet

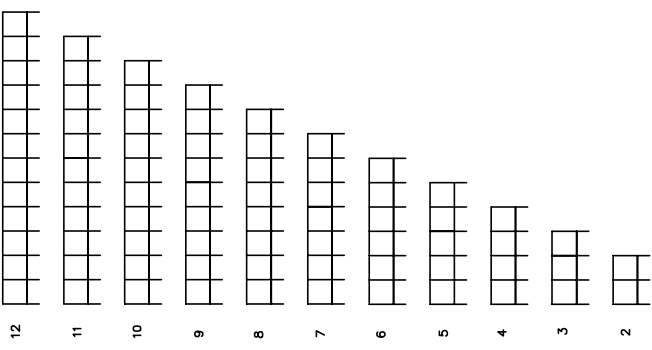
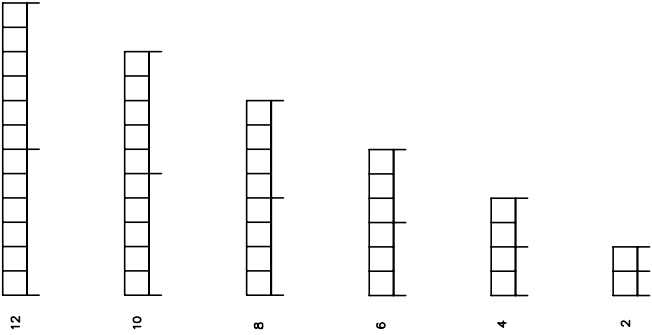
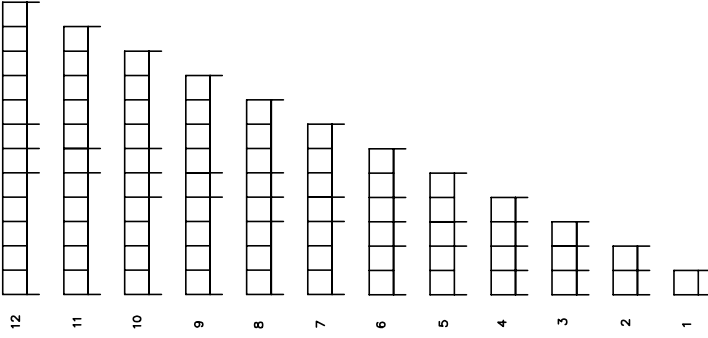


REAR SHIELD (VIEWED FROM PLUG ENTRY SIDE)
GROUND SOLDER TAIL CONFIGURATION

CODE "Z" = 0

CODE "Z" = 1

CODE "Z" = 2

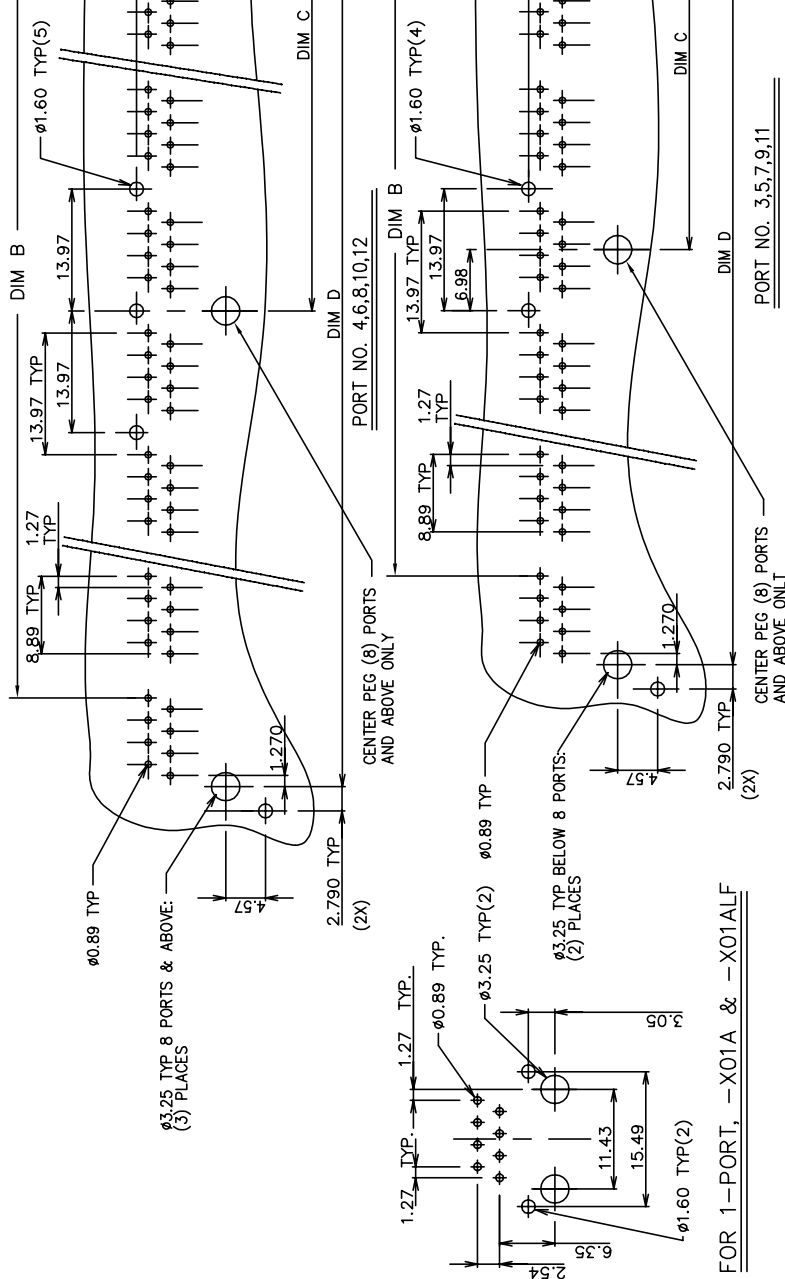


PCB LAYOUT SHEET 4

PCB LAYOUT SHEET 5

PCB LAYOUT SHEET 6

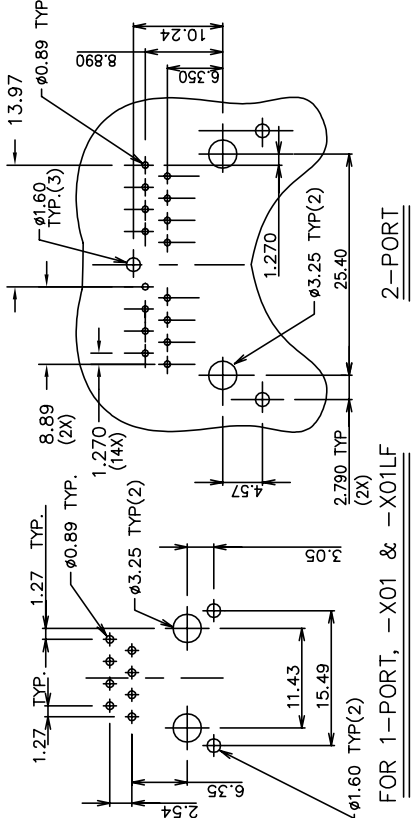
mat'l. code	Surface / t
tr/echn n/pdr	ISO 1301 / I
R	date
	tolerances ur
	angle
	0
	0°±2'
	0.3x
	L.POTTIEGE
	ENGLY.BELOPOLS
	CHRY.BELOPOLS
	APPD.BELOPOLS
Sheet Index	revision
	Sheet



FOR 1-PORT, -X01A & -X01ALF

PORT NO. 3,5,7,9,11

A



FOR 1-PORT, -X01 & -X01LF

Form: A4mmXLC

1

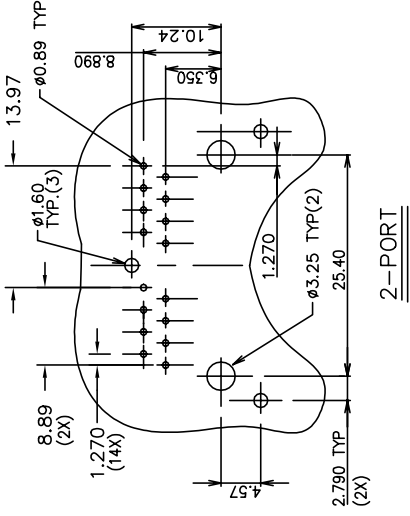
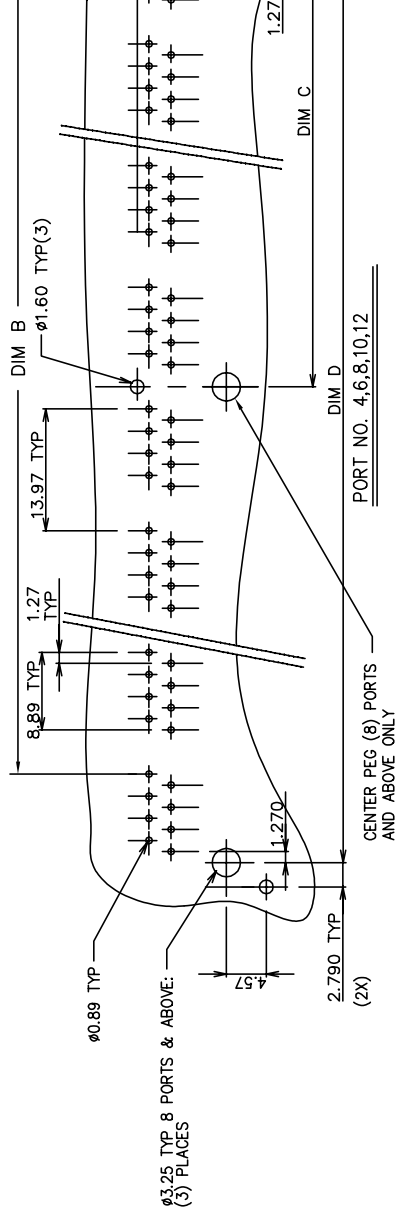
2

B

RECOMMENDED
CODE "Z" = 0 (ST)

mat'l. code	Surface	tolerances ur	angle	0
tr/econ n/pdr	ISO 1301		0°±2'	0.05
R				
	L.POTTIEGE	eng Y.BELOPOIS	chrf Y.BELOPOIS	app'd Y.BELOPOIS
Sheet	revision			
Index	Sheet			

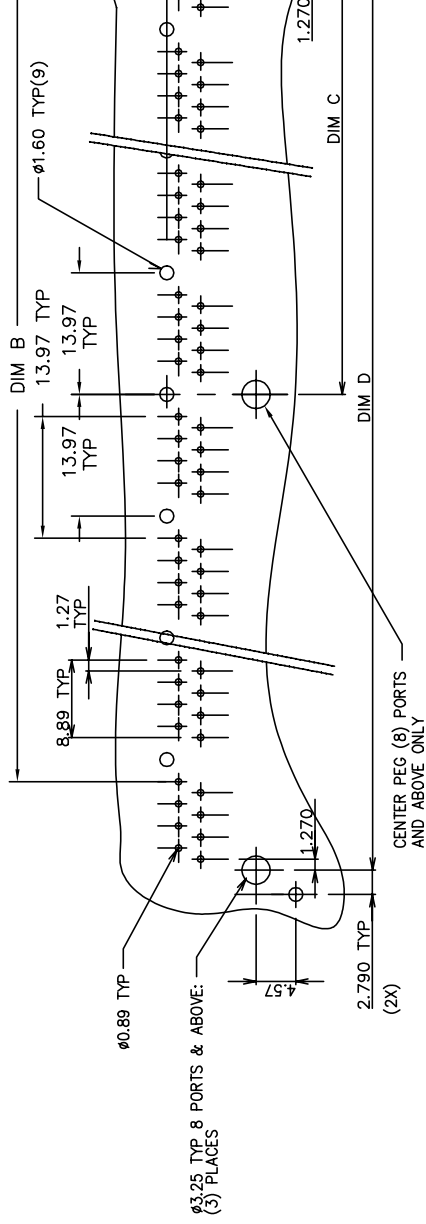
PDS: Rev



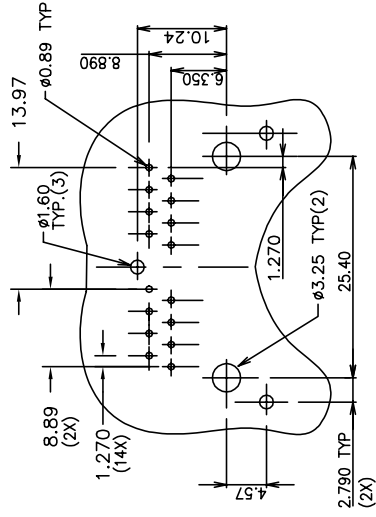
RECOMMEN

CODE "Z" = 1

mat'l. code	Surface	tolerances ur
R	ISO 1301	0
	angle	0
	0°±2'	0.3
	L.POTTIESE	
	ENG Y.BELOPOLS	
	CHR Y.BELOPOLS	
	APP Y.BELOPOLS	
Sheet Index	revision	Sheet



A



2-PORT

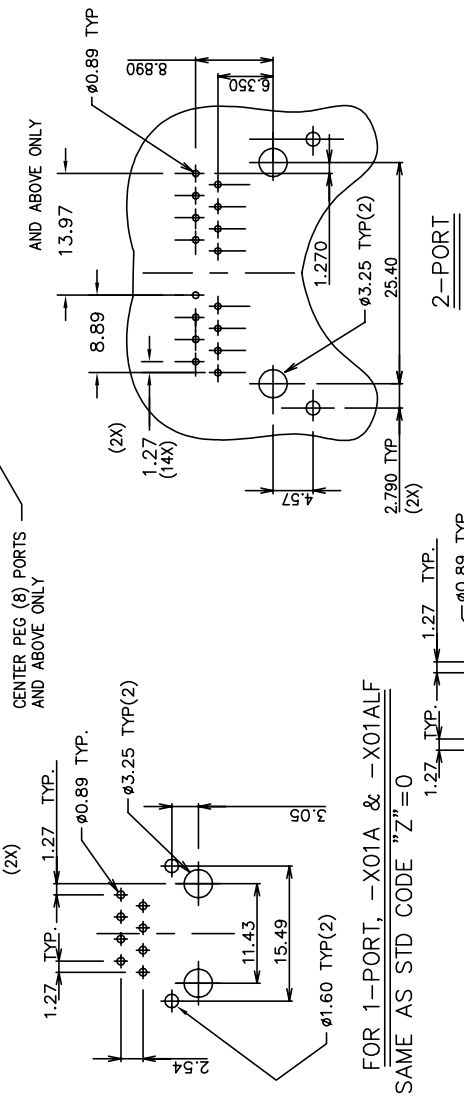
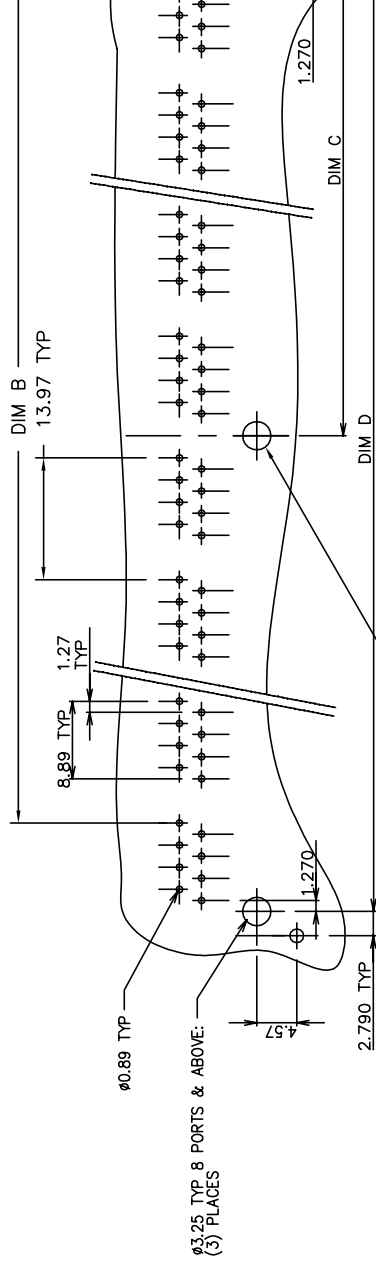
(SAME AS STANDARD CODE "Z" = 0)

RECOMMEN

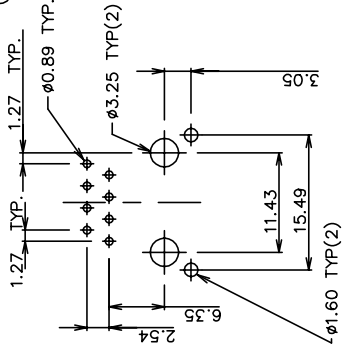
CODE "Z" = 2

mat'l. code	Surface	tolerances ur
	ISO 1301	
tr/econ n/pdr	date	angle
R		0
		0±2'
	L.POTTIESTE	
	ENGLY.BELOPOLIS	
	CHRISTY.BELOPOLIS	
	APPOL.BELOPOLIS	
Sheet Index	revision	Sheet

B



FOR 1-PORT, -X01A & -X01ALF
 SAME AS STD CODE "Z"=0



FOR 1-PORT, -X01 & -X01LF
 SAME AS STD CODE "Z"=0



RECOMMENDED P.C.B LAYOUT

CODE "Z" = 3 (NO GROUND LEGS)

mat'l. code	Surface /
tr/echn n/pdr	ISO 1301 ✓ I
date	tolerances ur
R	angle 0
	0°±2'
	dir L.POTTIEBE
	eng Y.BELOPOL
	chr Y.BELOPOL
	app'Ø.BELOPOL
Sheet	revision
index	Sheet

Looking for pricing, stock, or lifecycle information?

Click below to explore more details on WIN SOURCE:

-  [View 95678-301ALF on WIN SOURCE](#)
-  [Amphenol FCI Information](#)

Optimize Your Supply Chain with WIN SOURCE Solutions

-  Global Sourcing Solution
-  Obsolete Management
-  Cost Control Management
-  Shortage Management
-  Alternative Solution
-  Excess Inventory Management