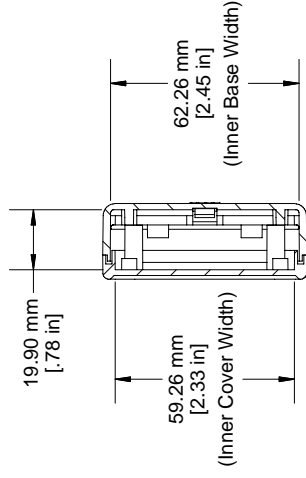
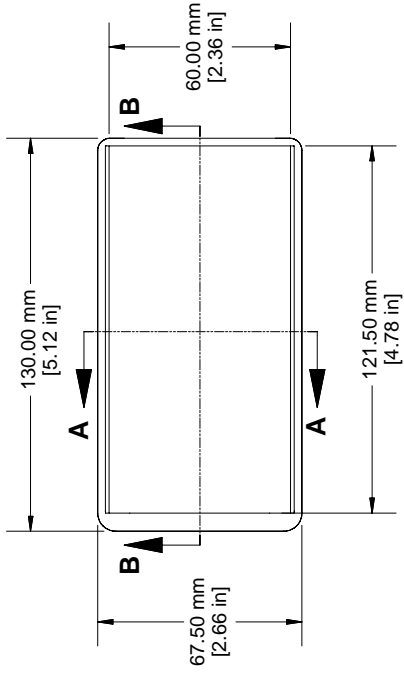


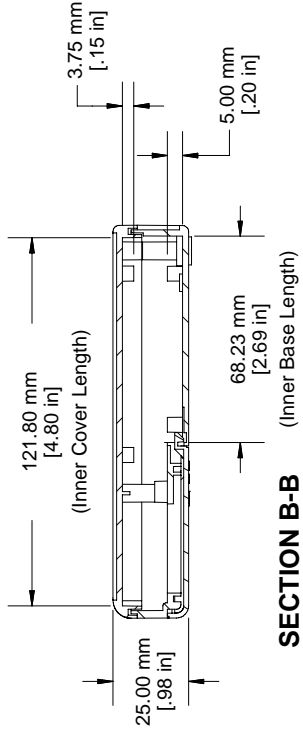


**THE DATASHEET OF  
RH3011BK**

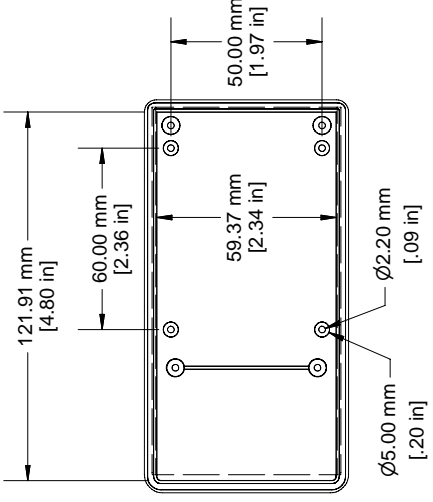
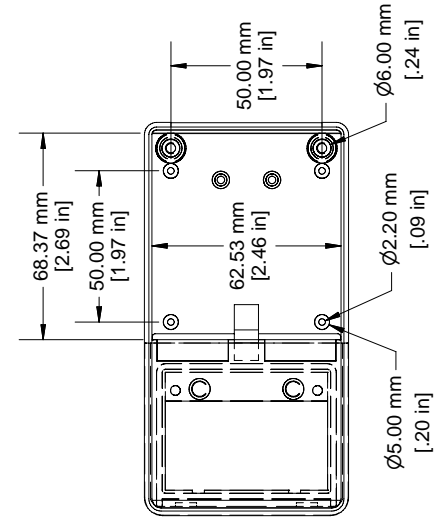




**SECTION A-A**



**SECTION B-B**



Enclosures can be Factory  
Contact Factory [mjm@hmc.com](mailto:mjm@hmc.com)  
Solid models of this enclosure

Material: ABS (UL94-H)

Material: ABS (UL94-H)

Lid Screws: M3 x 18

Circuit Board Screws,

Suggested Lid Screw



## Looking for pricing, stock, or lifecycle information?

Click below to explore more details on WIN SOURCE:

- [View RH3011BK on WIN SOURCE](#)
- [Hammond Manufacturing Information](#)

## Optimize Your Supply Chain with WIN SOURCE Solutions

- ✓ Global Sourcing Solution
- ✓ Obsolete Management
- ✓ Cost Control Management
- ✓ Shortage Management
- ✓ Alternative Solution
- ✓ Excess Inventory Management