



**THE DATASHEET OF**  
**194290030**



# MX150L™ INDUSTRIAL > SEALED CONNECTOR SYSTEM



**molex**®



## MX150L™ Industrial Sealed Connector System

**The MX150L™ Industrial Sealed Connector System is IP67 rated and conforms to UL 1977, but it is NOT suitable for automotive applications with requirements such as USCAR-2, USCAR-25, GMW3191, AK Testing, J2030, Volvo Technology Requirements, and Toyota Connector Spec (TCS)**

The MX150L sealed connector system is designed to meet the need for a rugged, environmentally sealed connector system supporting both low-level signal applications as well as power applications up to 40.0A, from marine applications to off-road construction equipment applications. The system is comprised of wire-to-wire, wire-to-panel and wire-to-board configurations.

These innovative mat-sealed connectors are based upon the 1.50 and 2.50mm (.059 and .098") blade-type terminals. This design eliminates the need to purchase, handle and crimp individual wire seals to lower applied cost. The mat-seal design is a single silicone-based seal with individual wire openings and a seal cap to protect, securely retain, and provide strain relief to the seal. The cost-effective connector design features all-in-one plug and receptacle housings with pre-assembled mat-wire and interfacial connector seals. Integral Terminal Position Assurance (TPA) and optional Connector Position Assurance (CPA) components eliminate time-consuming and costly assembly operations. Completing the application is as simple as crimping the appropriate terminal, inserting the crimped terminal lead and seating the TPA to its final locked position. No additional components are required.

Tooling solutions include FineAdjust™ crimp press applicators for high-volume production, as well as hand tools for low-volume production and field repairs.

### Features and Benefits

Pre-assembled connector housings, seals, TPA components and mat-seal cap shipped in one piece to provide applied labor and cost savings

Integral TPA assures that crimped terminal leads are properly locked into connector (TPA will not seat into final lock position and connector system will not latch if terminal is not locked properly into position)

Conforms to UL 1977, which allows for a UL recognized sealed connector system for use in data, signal, control and power applications

Superior electrical and mechanical performance capabilities surpass performance of most mature competitive products in market

Audible and tactile clicks on insertion, extraction and mating feedback facilitates reliable mating and terminal loading and removal

Unused circuits can be blocked using plastic seal plugs, which facilitates flexibility of sealing unused circuits without adding complexity to part numbers and customer inventory

Integral locking latch with secondary, pre-loaded CPA option assures that connector system is properly latched. CPA will not move to final locked position if connector is not latched. Confirms positive mating of connector

Sealed panel mount plugs are equipped with a blind hole boss feature which reduces extra hardware while improving the sealing process during assembly by eliminating a leak path

Integral, 2-way mat and interface seals designed and tested to IEC IP 67 standards exceeds "waterproof" demands as a true sealed connector system tested under submersed conditions in various fluids

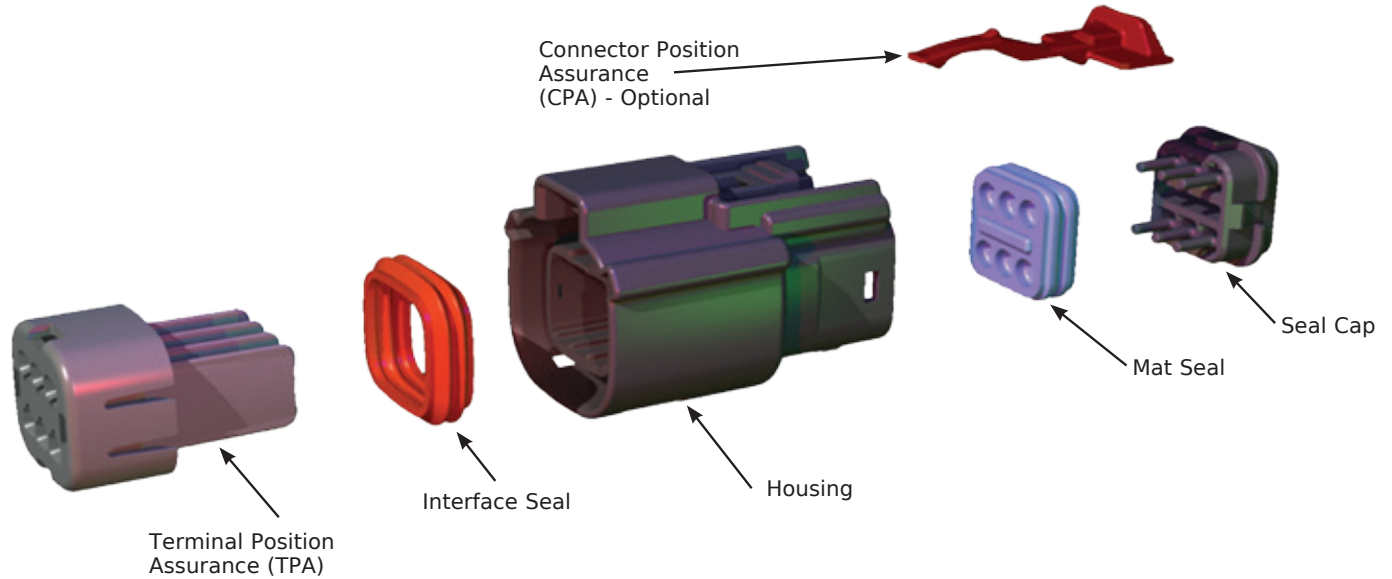
Easy terminal insertion and extraction provides quick, low-cost field repairs using common screw driver, needle nose pliers and terminal extraction tool

Protective mat-seal cap protects, securely retains, and provides strain relief to wire seal interface

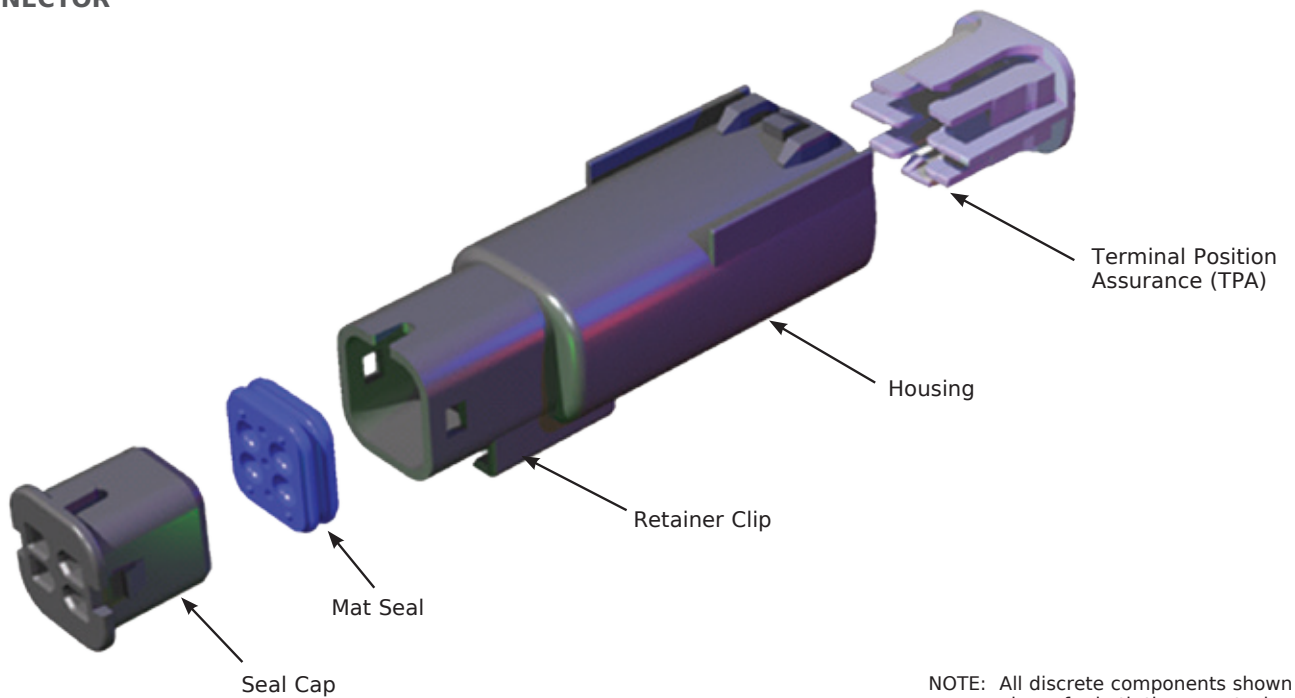
Simple crimp, poke and plug application eliminates need to crimp individual wire seals

### MX150L™ Industrial Sealed Connector System - Exploded View

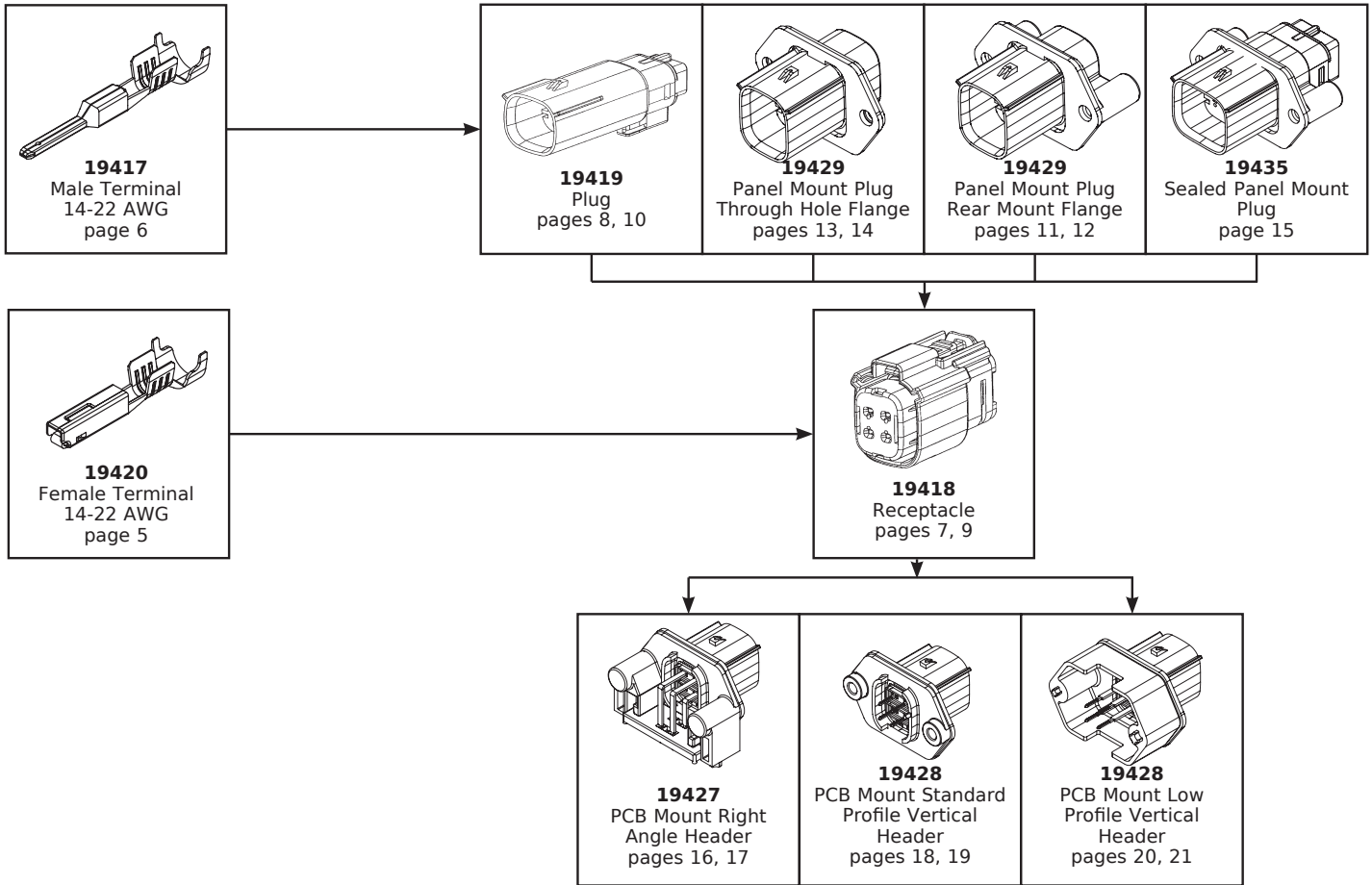
#### RECEPTACLE CONNECTOR



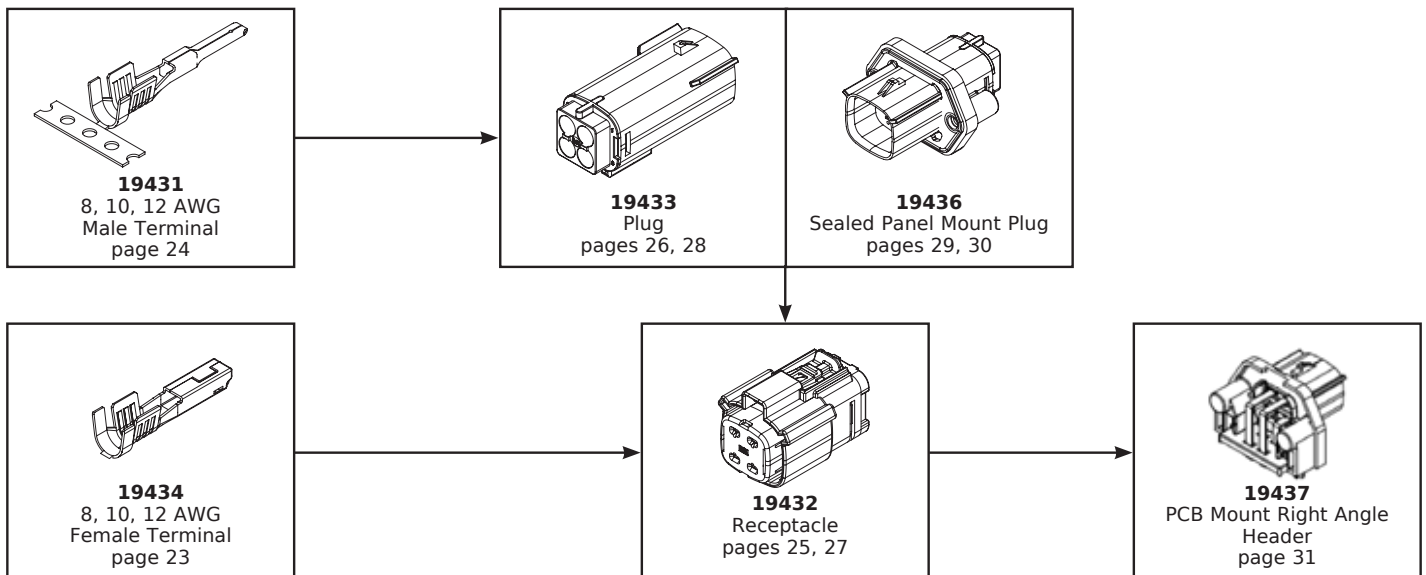
#### PLUG CONNECTOR



NOTE: All discrete components shown above for both the receptacle and plug housings are pre-assembled. Terminals are simply crimped and poked into the housings. No additional wire seals, wedge locks or CPA locks are required.



## 8, 10 and 12 AWG Wire-to-Wire, Panel-Mount and Wire-to-Board (PCB Mount) Applications



### Specifications

#### Features and Benefits

Mat seal friendly design features  
center seam and coined edges  
Anti-over stress beam  
geometry feature  
Low insertion force

#### Reference Information

UL File No.: E152602  
Designed In: Inches  
Used With: 19418

#### Electrical

Current: 18.0A

#### Physical

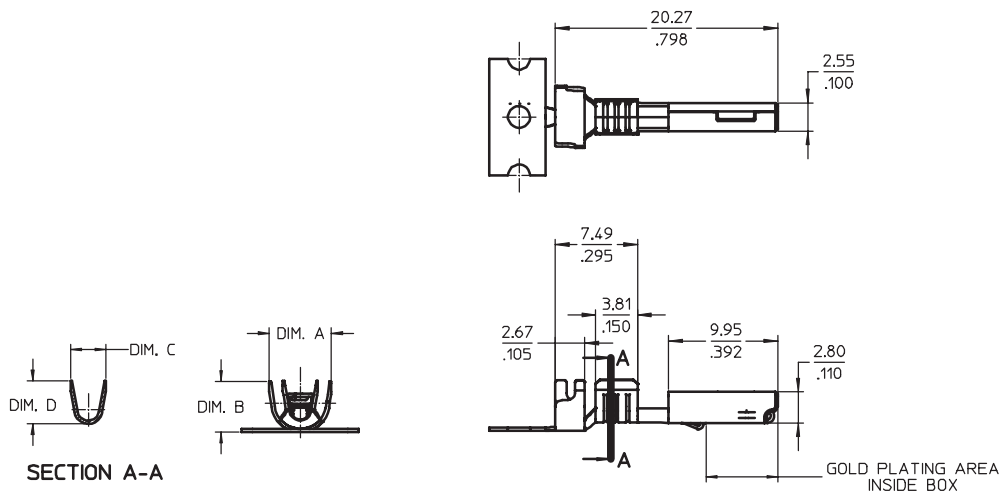
Contact: Copper Alloy  
Plating: Tin or Gold

#### Mechanical

Contact Insertion Force: 1.0 lb. max.  
Durability:  
Tin Plating—25 cycles  
Gold Plating—100 cycles



### Catalog Drawing (For Reference only)



### Ordering Information

| Wire Range (AWG) | Insulation Diameter mm (In) | Order No.  |            |            | Dimension   |             |             |             |
|------------------|-----------------------------|------------|------------|------------|-------------|-------------|-------------|-------------|
|                  |                             | Pre-Tin    |            | Gold       | A           | B           | C           | D           |
|                  |                             | Strip      | Loose      | Strip      |             |             |             |             |
| 18-22            | 2.36-2.74 (.093-.108)       | 19420-0002 | 19420-0010 | 19420-0004 | 4.60 (.181) | 3.63 (.143) | 2.50 (.098) | 2.70 (.106) |
| 14-16            | 2.87-3.53 (.113-.139)       | 19420-0001 | 19420-0009 | 19420-0003 | 5.66 (.223) | 4.62 (.182) | 3.58 (.141) | 3.94 (.155) |

## Features and Specifications

### Features and Benefits

Mat seal friendly design features  
center seam and coined Electrical  
Low insertion force

### Reference Information

UL File No.: E152602  
Designed In: Inches  
Used With: 19419, 19429 and 19435

### Electrical

Current: 18.0A

### Physical

Contact: Copper Alloy  
Plating: Tin or Gold

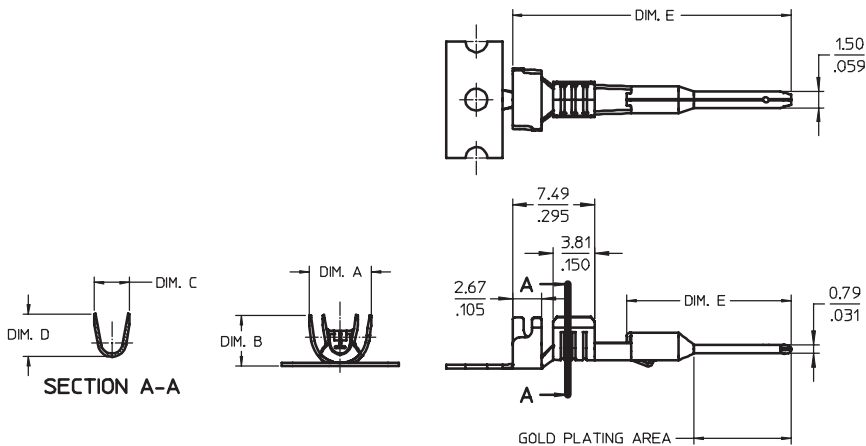
### Mechanical

Contact Insertion Force: 1.0 lb. max.  
Durability:  
Tin Plating—25 cycles  
Gold Plating—100 cycles

**5.84mm (.230")  
Pitch MX150L™  
Industrial Terminal  
19417 Male**



## Catalog Drawing (For Reference only)



## Ordering Information

| Wire Range (AWG) | Insulation Diameter mm (In) | Order No.  |            |            | Pin Length | Dimension   |             |             |             |              |
|------------------|-----------------------------|------------|------------|------------|------------|-------------|-------------|-------------|-------------|--------------|
|                  |                             | Pre-Tin    |            | Gold       |            | A           | B           | C           | D           | E            |
|                  |                             | Strip      | Loose      | Strip      |            |             |             |             |             |              |
| 18-22            | 2.36-2.74 (.093-.108)       | 19417-0024 | 19417-0048 | 19417-0026 | Standard   | 4.60 (.181) | 3.63 (.143) | 2.50 (.098) | 2.70 (.106) | 25.40 (1.00) |
| 14-16            | 2.87-3.53 (.113-.139)       | 19417-0011 | 19417-0047 | 19417-0025 | Standard   | 5.66 (.223) | 4.62 (.182) | 3.58 (.141) | 3.94 (.155) | 25.40 (1.00) |
| 18-22            | 2.36-2.74 (.093-.108)       | 19417-0028 | -          | 19417-0030 | Long       | 4.60 (.181) | 3.63 (.143) | 2.50 (.098) | 2.70 (.106) | 26.16 (1.03) |
| 14-16            | 2.87-3.53 (.113-.139)       | 19417-0027 | -          | 19417-0029 | Long       | 5.66 (.223) | 4.62 (.182) | 3.58 (.141) | 3.94 (.155) | 26.16 (1.03) |

## Features and Specifications

### Features and Benefits

Environmentally sealed to IP67  
Integrated mat wire seal  
Integrated interface seal and terminal position assurance (TPA)  
Optional connector position assurance (CPA)  
Simple crimp-and-poke application  
Field serviceable contact removal system  
Tactile and audible mating feedback

### Reference Information

UL File No.: E152602  
Designed In: Inches  
Mates With: 19419, 19429

### Electrical

Dielectric Withstanding Voltage: 2200V AC min.  
Insulation Resistance: 1000 Megohms  
Voltage: 600V

### Mechanical

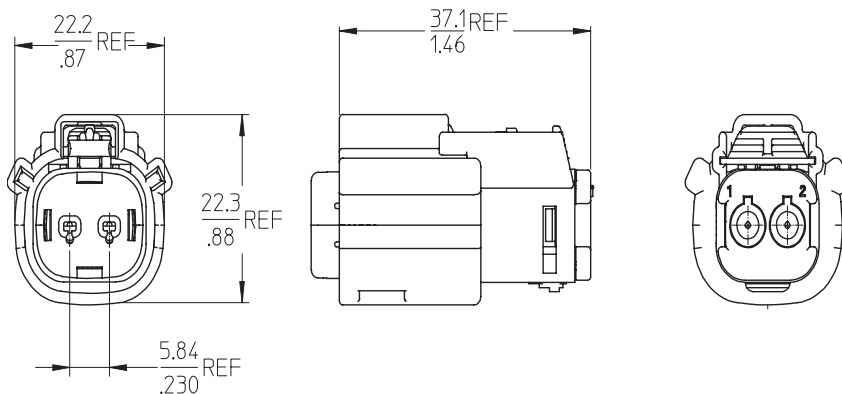
Mating force: 75N max.  
Unmating force: 75N max.

### Physical

Housing: SPS Glass-Filled Crystalline Polymer  
Operating Temperature: -40 to +125°C



## Catalog Drawing (For Reference only)



## Ordering Information

| Circuits | Wire Range (AWG) | Mat Seal Color | Order No.  |             |
|----------|------------------|----------------|------------|-------------|
|          |                  |                | with CPA   | without CPA |
| 2        | 18-22            | Red            | 19418-0008 | 19418-0016  |
|          | 14-16            | Blue           | 19418-0007 | 19418-0017  |

## Features and Specifications

### Features and Benefits

Environmentally sealed to IP67  
 Integrated mat wire seal and terminal position assurance (TPA)  
 Simple crimp-and-poke application  
 Field serviceable contact removal system  
 Tactile and audible mating feedback

### Reference Information

UL File No.: E152602  
 Designed In: Inches  
 Mates With: 19418

### Electrical

Dielectric Withstanding Voltage: 2200V AC min.  
 Insulation Resistance: 1000 Megohms  
 Voltage: 600V

### Mechanical

Mating force: 75N max.  
 Unmating force: 75N max.

### Physical

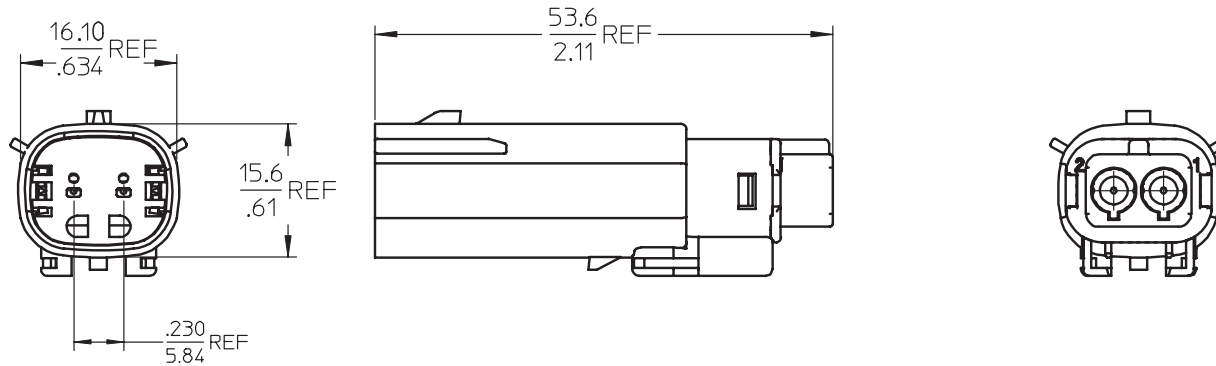
Housing: SPS Glass-Filled Crystalline Polymer  
 Operating Temperature: -40 to +125°C

**5.84mm (.230")  
 Pitch MX150L™  
 Industrial Plug**

**19419** Single Row



## Catalog Drawing (For Reference only)



## Ordering Information

| Circuits | Wire Range (AWG) | Mat Seal Color | Order No.  |
|----------|------------------|----------------|------------|
| 2        | 18-22            | Red            | 19419-0008 |
|          | 14-16            | Blue           | 19419-0007 |

## Features and Specifications

### Features and Benefits

Environmentally sealed to IP67  
Integrated mat wire seal and terminal position assurance (TPA)  
Optional connector position assurance (CPA)  
Simple crimp-and-poke application  
Field serviceable contact removal system  
Tactile and audible mating feedback

### Reference Information

UL File No.: E152602  
Designed In: Inches  
Mates With: 19419, 19429 and 19435

### Electrical

Dielectric Withstanding Voltage: 2200V AC min.  
Insulation Resistance: 1000 Megohms  
Voltage: 600V

### Mechanical

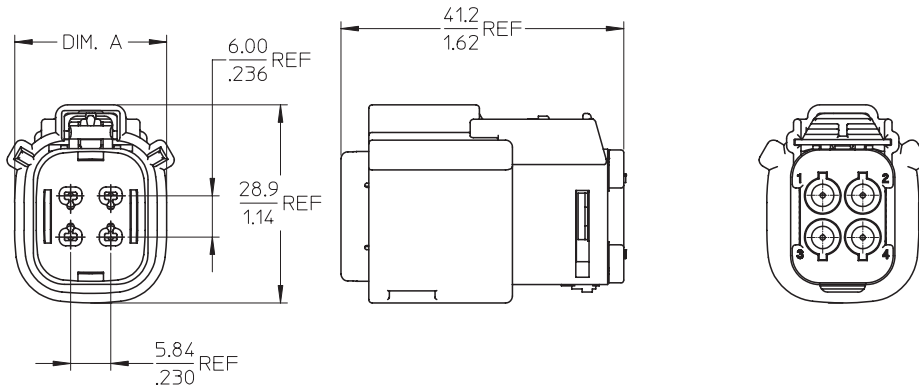
Mating force: 75N max.  
Unmating force: 75N max.

### Physical

Housing: SPS Glass-Filled Crystalline Polymer  
Operating Temperature: -40 to +125°C



## Catalog Drawing (For Reference only)



## Ordering Information

| Circuits | Wire Range (AWG) | Mat Seal Color | Order No.  |             | Dimension A   |
|----------|------------------|----------------|------------|-------------|---------------|
|          |                  |                | With CPA   | Without CPA |               |
| 4        | 18-22            | Red            | 19418-0005 | 19418-0018  | 22.15 (.872)  |
|          | 14-16            | Blue           | 19418-0004 | 19418-0019  |               |
| 6        | 18-22            | Red            | 19418-0011 | 19418-0020  | 27.99 (1.102) |
|          | 14-16            | Blue           | 19418-0010 | 19418-0021  |               |
| 8        | 18-22            | Red            | 19418-0001 | 19418-0022  | 33.83 (1.332) |
|          | 14-16            | Blue           | 19418-0002 | 19418-0023  |               |
| 10       | 18-22            | Red            | 19418-0014 | 19418-0024  | 39.67 (1.562) |
|          | 14-16            | Blue           | 19418-0013 | 19418-0025  |               |
| 12       | 18-22            | Red            | 19418-0026 | 19418-0038  | 45.51 (1.792) |
|          | 14-16            | Blue           | 19418-0027 | 19418-0037  |               |
| 16       | 18-22            | Red            | 19418-0029 | 19418-0040  | 57.19 (2.252) |
|          | 14-16            | Blue           | 19418-0030 | 19418-0039  |               |

## Features and Specifications

### Features and Benefits

Environmentally sealed to IP67  
 Integrated mat wire seal and terminal position assurance (TPA)  
 Simple crimp-and-poke application  
 Field serviceable contact removal system  
 Tactile and audible mating feedback

### Reference Information

UL File No.: E152602  
 Designed In: Inches  
 Mates With: 19418

### Electrical

Dielectric Withstanding Voltage: 2200V AC min.  
 Insulation Resistance: 1000 Megohms  
 Voltage: 600V

### Mechanical

Mating force: 75N max.  
 Unmating force: 75N max.

### Physical

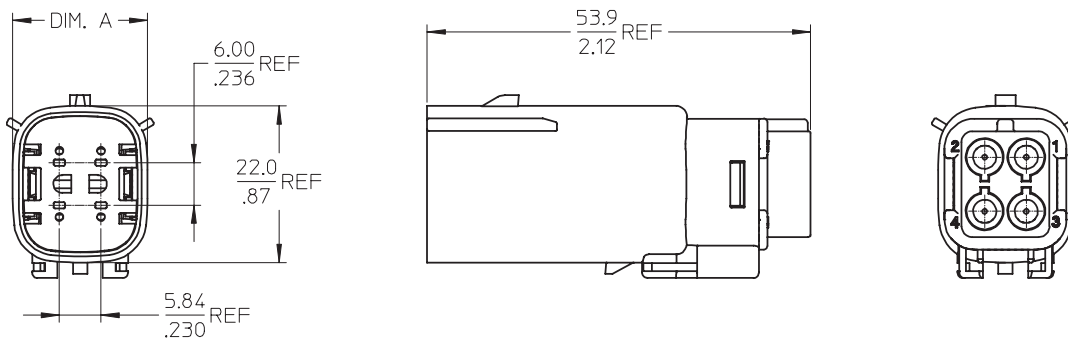
Housing: SPS Glass-Filled Crystalline Polymer  
 Operating Temperature: -40 to +125°C

**5.84mm (.230")  
 Pitch MX150L™  
 Industrial Plug**

**19419 Dual Row**



## Catalog Drawing (For Reference only)



## Ordering Information

| Circuits | Wire Range (AWG) | Mat Seal Color | Order No.  | Dimension A   |
|----------|------------------|----------------|------------|---------------|
| 4        | 18-22            | Red            | 19419-0005 | 16.10 (.634)  |
|          | 14-16            | Blue           | 19419-0004 |               |
| 6        | 18-22            | Red            | 19419-0012 | 24.78 (.976)  |
|          | 14-16            | Blue           | 19419-0011 |               |
| 8        | 18-22            | Red            | 19419-0001 | 30.62 (1.206) |
|          | 14-16            | Blue           | 19419-0002 |               |
| 10       | 18-22            | Red            | 19419-0015 | 36.47 (1.436) |
|          | 14-16            | Blue           | 19419-0014 |               |
| 12       | 18-22            | Red            | 19419-0017 | 42.31 (1.666) |
|          | 14-16            | Blue           | 19419-0018 |               |
| 16       | 18-22            | Red            | 19419-0020 | 53.99 (2.126) |
|          | 14-16            | Blue           | 19419-0021 |               |

## 5.84mm (.230") Pitch MX150L™ Industrial Panel Mount Plug

19429 Rear Mount Flange  
Single Row

### Features and Specifications

#### Features and Benefits

- Environmentally sealed to IP67 when mated
- Integrated terminal position assurance (TPA)
- Simple crimp-and-poke application
- Field serviceable contact removal system
- Tactile and audible mating feedback
- For outside or inside panel mount applications with sufficient sealing area
- Use with molded silicone panel gasket
- Blind hole boss feature eliminates leak path and reduces extra sealing process during assembly

#### Reference Information

- UL File No.: E152602
- Designed In: Inches
- Mates With: 19418

#### Electrical

- Dielectric Withstanding Voltage: 2200V AC min.
- Insulation Resistance: 1000 Megohms
- Voltage: 600V

#### Mechanical

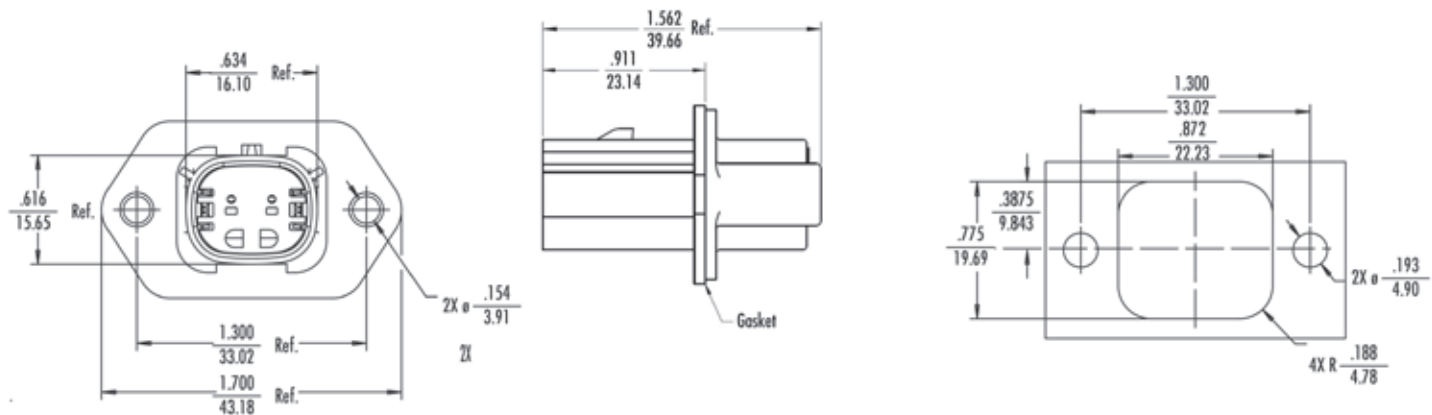
- Mating force: 75N max.
- Unmating force: 75N max.

#### Physical

- Housing: SPS Glass-Filled Crystalline Polymer
- Operating Temperature: -40 to +125°C



### Catalog Drawing (For Reference only)



### Ordering Information

| Circuits | Wire Range (AWG) | Order No.   |                |            |
|----------|------------------|-------------|----------------|------------|
|          |                  | With Gasket | Without Gasket | Gasket     |
| 2        | 14-22            | 19429-0033  | 19429-0005     | 19427-0025 |

Note: Recommended Mounting Hardware: (2) #10 x .62/18.9 long, plastic thread cutting screws  
Suggested Source: ITW Shakeproof BosScrew™ or equivalent

## Features and Specifications

### Features and Benefits

- Environmentally sealed to IP67
- Integrated terminal position assurance (TPA)
- Simple crimp-and-poke application
- Field serviceable contact removal system
- Tactile and audible mating feedback
- For outside or inside panel mount applications with sufficient sealing area
- Use with molded silicone panel gasket
- Blind hole boss feature eliminates leak path and reduces extra sealing process during assembly

### Reference Information

- UL File No.: E152602
- Designed In: Inches
- Mates With: 19418

### Electrical

- Dielectric Withstanding Voltage: 2200V AC min.
- Insulation Resistance: 1000 Megohms
- Voltage: 600V

### Mechanical

- Mating force: 75N max.
- Unmating force: 75N max.

### Physical

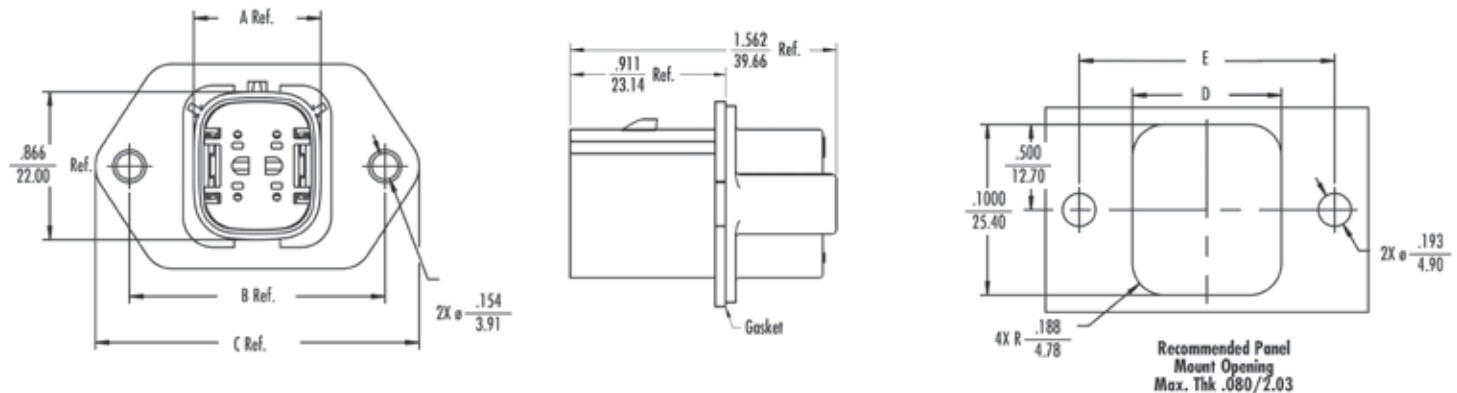
- Housing: SPS Glass-Filled Crystalline Polymer
- Operating Temperature: -40 to +125°C

## 5.84mm (.230") Pitch MX150L™ Industrial Panel Mount Plug

19429 Rear Mount Flange Dual Row



## Catalog Drawing (For Reference only)



## Ordering Information

| Circuits | Wire Range (AWG) |             |                |            | Dimensions    |               |               |               |               |
|----------|------------------|-------------|----------------|------------|---------------|---------------|---------------|---------------|---------------|
|          |                  | With Gasket | Without Gasket | Gasket     | A             | B             | C             | D             | E             |
| 4        | 14-22            | 19429-0035  | 19429-0009     | 19427-0024 | 18.94 (.746)  | 38.10 (1.500) | 48.26 (1.900) | 22.23 (.875)  | 38.10 (1.500) |
| 6        |                  | 19429-0036  | 19429-0010     | 19427-0021 | 24.78 (.976)  | 41.92 (1.650) | 52.08 (2.050) | 28.07 (1.105) | 41.92 (1.650) |
| 8        |                  | 19429-0037  | 19429-0011     | 19427-0022 | 30.62 (1.206) | 48.26 (1.900) | 58.42 (2.300) | 33.88 (1.334) | 48.26 (1.900) |
| 10       |                  | 19429-0038  | 19429-0014     | 19427-0029 | 36.47 (1.436) | 54.61 (2.150) | 64.75 (2.549) | 39.75 (1.565) | 54.61 (2.150) |
| 12       |                  | 19429-0039  | 19429-0015     | 19427-0030 | 42.31 (2.400) | 60.96 (2.400) | 70.97 (2.794) | 45.59 (1.795) | 60.96 (2.400) |
| 16       |                  | 19429-0040  | 19429-0016     | 19427-0023 | 53.99 (2.126) | 73.67 (2.900) | 83.83 (3.300) | 57.28 (2.255) | 73.67 (2.900) |

Note: Recommended Mounting Hardware: (2) #10 x .62/18.9 long, plastic thread cutting screws  
Suggested Source: ITW Shakeproof BosScrew™ or equivalent

### Features and Specifications

#### Features and Benefits

- Environmentally sealed to IP67 when mated
- Integrated terminal position assurance (TPA)
- Simple crimp-and-poke application
- Field serviceable contact removal system
- Tactile and audible mating feedback
- For outside or inside panel mount applications with sufficient sealing area
- Use with molded silicone panel gasket

#### Reference Information

- UL File No.: E152602
- Designed In: Inches
- Mates With: 19418

#### Electrical

- Dielectric Withstanding Voltage: 2200V AC min.
- Insulation Resistance: 1000 Megohms Voltage: 600V

#### Mechanical

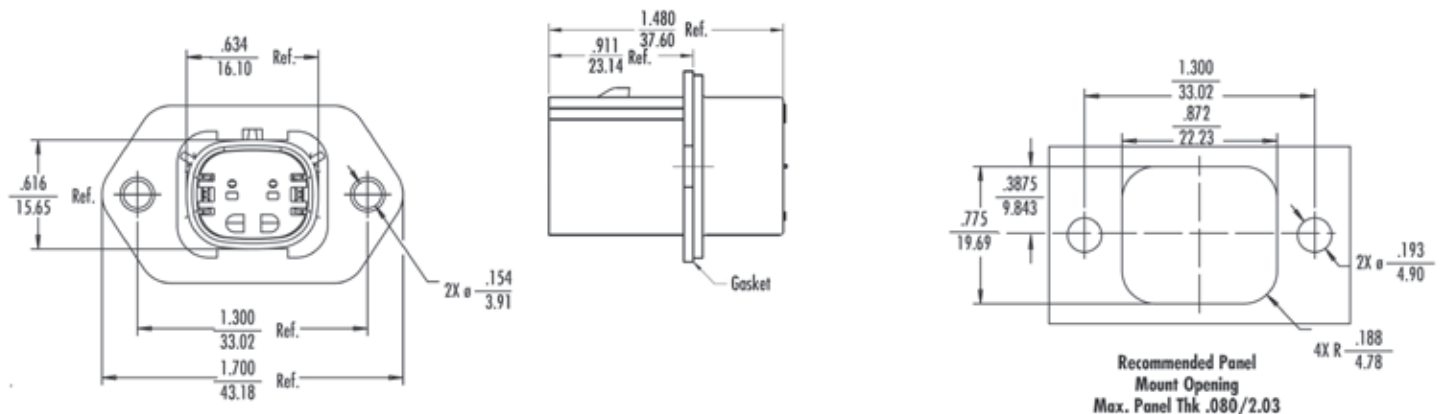
- Mating force: 75N max.
- Unmating force: 75N max.

#### Physical

- Housing: SPS Glass-Filled Crystalline Polymer
- Operating Temperature: -40 to +125°C



### Catalog Drawing (For Reference only)



### Ordering Information

| Circuits | Wire Range (AWG) | Order No.   |                |            |
|----------|------------------|-------------|----------------|------------|
|          |                  | With Gasket | Without Gasket | Gasket     |
| 2        | 14-22            | 19429-0041  | 19429-0026     | 19427-0025 |

## Features and Specifications

### Features and Benefits

- Environmentally sealed to IP67
- Integrated terminal position assurance (TPA)
- Simple crimp-and-poke application
- Field serviceable contact removal system
- Tactile and audible mating feedback
- For outside or inside panel mount applications with sufficient sealing area
- Use with molded silicone panel gasket

### Reference Information

- UL File No.: E152602
- Designed In: Inches
- Mates With: 19418

### Electrical

- Dielectric Withstanding Voltage: 2200V AC min.
- Insulation Resistance: 1000 Megohms
- Voltage: 600V

### Mechanical

- Mating force: 75N max.
- Unmating force: 75N max.

### Physical

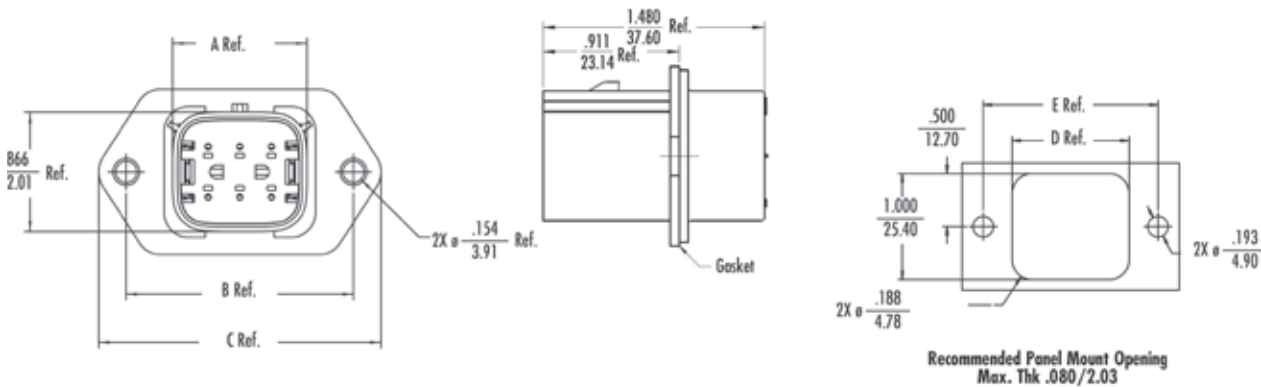
- Housing: SPS Glass-Filled Crystalline Polymer
- Operating Temperature: -40 to +125°C

## 5.84mm (.230") Pitch MX150L™ Industrial Panel Mount Plug

19429 Through Hole Flange Dual Row



## Catalog Drawing (For Reference only)



## Ordering Information

| Circuits | Wire Range (AWG) | Order No.   |                |            | Dimension     |               |               |               |               |
|----------|------------------|-------------|----------------|------------|---------------|---------------|---------------|---------------|---------------|
|          |                  | With Gasket | Without Gasket | Gasket     | A             | B             | C             | D             | E             |
| 4        | 14-22            | 19429-0043  | 19429-0025     | 19427-0024 | 16.10 (.634)  | 38.10 (1.500) | 48.26 (1.900) | 22.23 (.875)  | 38.10 (1.500) |
| 6        |                  | 19429-0044  | 19429-0028     | 19427-0021 | 24.78 (.976)  | 41.92 (1.650) | 52.08 (2.050) | 28.07 (1.105) | 41.92 (1.650) |
| 8        |                  | 19429-0045  | 19429-0029     | 19427-0022 | 30.62 (1.206) | 48.26 (1.900) | 58.42 (2.300) | 33.88 (1.334) | 48.26 (1.900) |
| 10       |                  | 19429-0046  | 19429-0030     | 19427-0029 | 36.47 (1.436) | 54.61 (2.150) | 64.75 (2.549) | 39.75 (1.565) | 54.61 (2.150) |
| 12       |                  | 19429-0047  | 19429-0031     | 19427-0030 | 42.31 (2.400) | 60.96 (2.400) | 70.97 (2.794) | 45.59 (1.795) | 60.96 (2.400) |
| 16       |                  | 19429-0048  | 19429-0032     | 19427-0023 | 53.99 (2.126) | 73.67 (2.900) | 83.83 (3.300) | 57.28 (2.255) | 73.67 (2.900) |

Note: Recommended Mounting Hardware: (2) #10 x .62/18.9 long, plastic thread cutting screws  
Suggested Source: ITW Shakeproof BosScrew™ or equivalent

## 5.84mm (.230") Pitch MX150L™ Industrial Sealed Panel Mount Plug

**19435** Rear Mount Flange  
Dual Row

### Specifications

#### Features and Benefits

Environmentally sealed to IP67  
Mates with existing MX150L receptacles  
Supports non-closed in panels  
Field serviceable contact  
removal system  
Tactile and audible mating feedback  
Blind hole boss feature eliminates  
leak path and reduces extra  
sealing process during assembly

#### Reference Information

UL File No.: E152602  
Designed in: Inches  
Mates with: 19418

#### Electrical

Dielectric Withstanding Voltage:  
2200V AC min  
Insulation Resistance:  
1000 Megohms min.  
Voltage: 600v

#### Mechanical

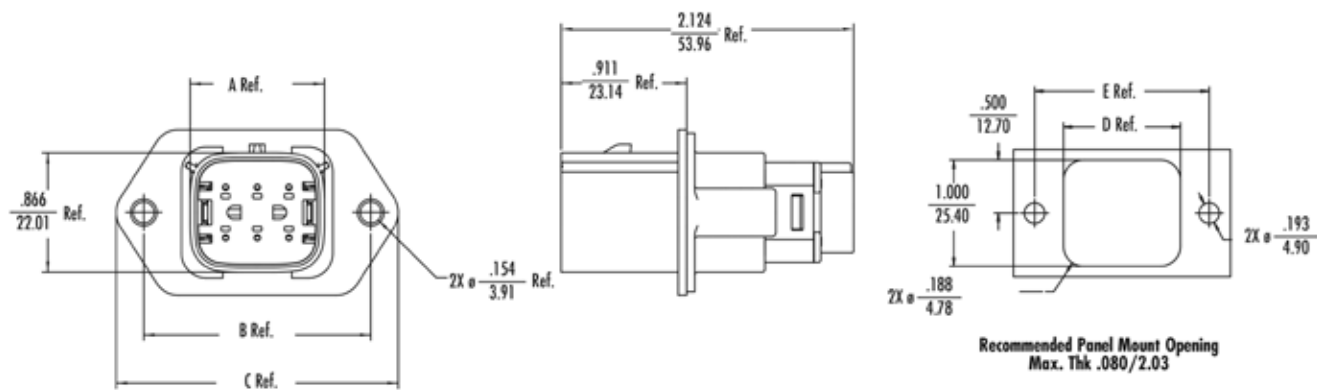
Mating Force: 75N max  
Unmating Force: 75N max

#### Physical

Housing: Glass-Filled PBT  
Operating Temperature:  
-40 to +125°C



### Catalog Drawing (For Reference only)



### Ordering Information

| Circuits | Wire Range (AWG) | Mat Seal Color | Order No.   |                | Dimension     |               |               |               |               |
|----------|------------------|----------------|-------------|----------------|---------------|---------------|---------------|---------------|---------------|
|          |                  |                | With Gasket | Without Gasket | A             | B             | C             | D             | E             |
| 6        | 18-22            | Red            | 19435-0612  | 19435-0614     | 24.78 (.976)  | 41.92 (1.650) | 52.08 (2.050) | 28.07 (1.105) | 41.92 (1.650) |
|          | 14-16            | Blue           | 19435-0611  | 19435-0613     | 24.78 (.976)  | 41.92 (1.650) | 52.08 (2.050) | 28.07 (1.105) | 41.92 (1.650) |
| 8        | 18-22            | Red            | 19435-0812  | 19435-0814     | 30.62 (1.206) | 48.26 (1.90)  | 58.42 (2.30)  | 33.88 (1.334) | 48.26 (1.90)  |
|          | 14-16            | Blue           | 19435-0811  | 19435-0813     | 30.62 (1.206) | 48.26 (1.90)  | 58.42 (2.30)  | 33.88 (1.334) | 48.26 (1.90)  |
| 10       | 18-22            | Red            | 19435-1012  | 19435-1014     | 36.47 (1.436) | 54.61 (2.150) | 64.75 (2.549) | 39.75 (1.565) | 54.61 (2.150) |
|          | 14-16            | Blue           | 19435-1011  | -              | 36.47 (1.436) | 54.61 (2.150) | 64.75 (2.549) | 39.75 (1.565) | 54.61 (2.150) |
| 12       | 18-22            | Red            | 19435-1212  | 19435-1214     | 42.31 (1.67)  | 60.96 (2.40)  | 70.97 (2.794) | 45.59 (1.795) | 60.96 (2.40)  |
|          | 14-16            | Blue           | 19435-1211  | 19435-1213     | 42.31 (1.67)  | 60.96 (2.40)  | 70.97 (2.794) | 45.59 (1.795) | 60.96 (2.40)  |
| 8        | 18-22            | -              | 19435-1219  | -              | -             | -             | -             | -             | -             |
| 12       |                  | -              | -           | 19435-1219     | -             | -             | -             | -             | -             |

Note: Recommended Mounting Hardware: (2) #10 x .62/18.9 long, plastic thread cutting screws  
Suggested Source: ITW Shakeproof BosScrew™ or equivalent

## Features and Specifications

### Features and Benefits

Environmentally sealed to IP67  
 Mates with existing MX150L receptacles  
 Molded silicone panel gasket included  
 Available in tin or gold plating  
 Supports 14-22 AWG receptacle  
 Tactile and audible mating feedback  
 Blind hole boss feature eliminates  
 leak path and reduces extra  
 sealing process during assembly

### Reference Information

Packaging: Tray  
 UL File No.: E152602  
 Designed in: Inches  
 Mates with: 19418

### Electrical

Dielectric Withstanding Voltage:  
 2200V AC min  
 Insulation Resistance:  
 1000 Megohms min.  
 Voltage: 600v

### Mechanical

Durability:  
 Tin Plating—25 cycles  
 Gold Plating—100 cycles

### Physical

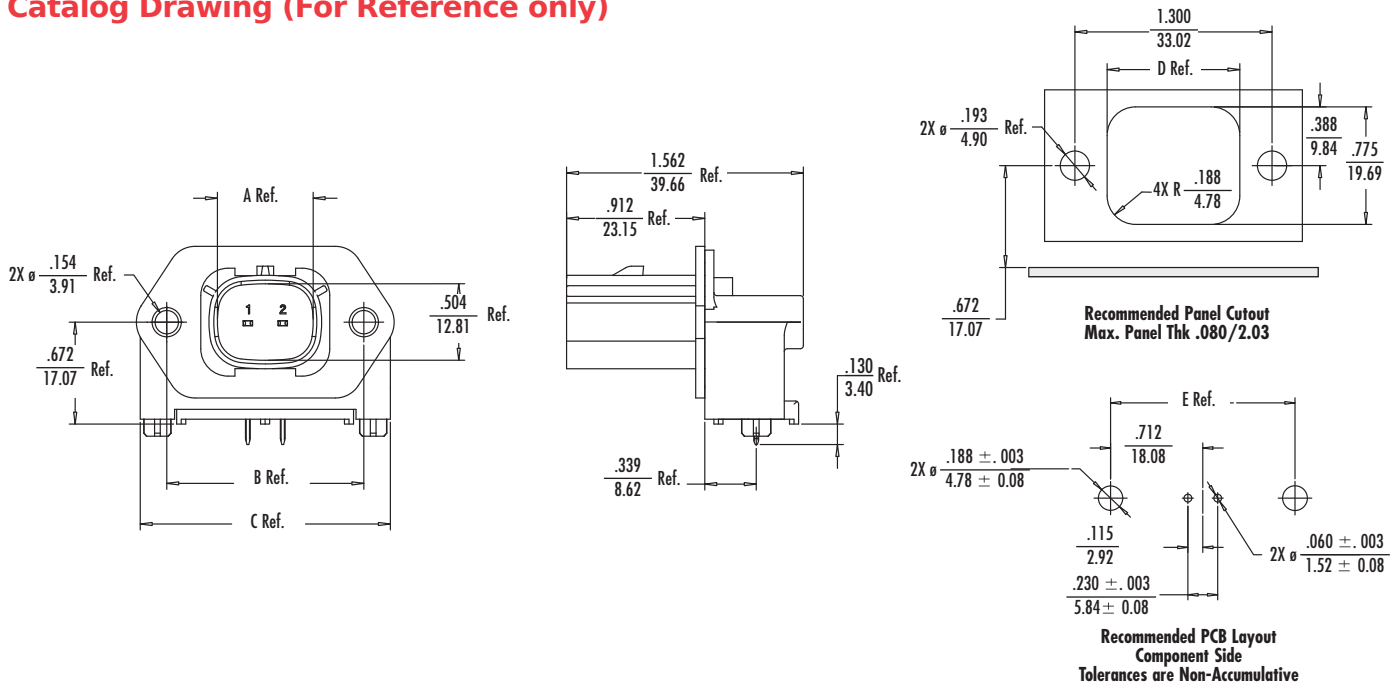
Housing: Glass-Filled PBT  
 Contact: Copper Alloy  
 Plating:  
 Contact Area – Tin or Gold  
 Solder Tail Area – Tin  
 PCB Thickness: 1.60mm (.062") max.  
 Operating Temperature:  
 -40 to +125°C

## 5.84mm (.230") Pitch MX150L™ Industrial PCB Header

19427 Right Angle Without  
 PCB Flange Single Row



## Catalog Drawing (For Reference only)



## Ordering Information

| Circuits | Order No.  |                 | Dimension    |               |               |              |               |
|----------|------------|-----------------|--------------|---------------|---------------|--------------|---------------|
|          | Tin        | Select Gold/Tin | A            | B             | C             | D            | E             |
| 2        | 19427-0040 | 19427-0109      | 16.04 (.632) | 33.02 (1.300) | 41.90 (1.649) | 22.23 (.875) | 36.14 (1.423) |

Note: Recommended Mounting Hardware: (2) #10 x .62/15.9 long, plastic thread cutting screws  
 Suggested Source: ITW Shakeproof BosScrew™ or equivalent

### Features and Specifications

#### Features and Benefits

- Environmentally sealed to IP67
- Mates with existing MX150L receptacles
- Molded silicone panel gasket included
- Available in tin or gold plating
- Supports 14-22 AWG
- Tactile and audible mating feedback
- Blind hole boss feature eliminates leak path and reduces extra sealing process during assembly

#### Reference Information

- Packaging: Tray
- UL File No.: E152602
- Designed in: Inches
- Mates with: 19418

#### Electrical

- Dielectric Withstanding Voltage: 2200V AC min
- Insulation Resistance: 1000 Megohms min.
- Voltage: 600v

#### Mechanical

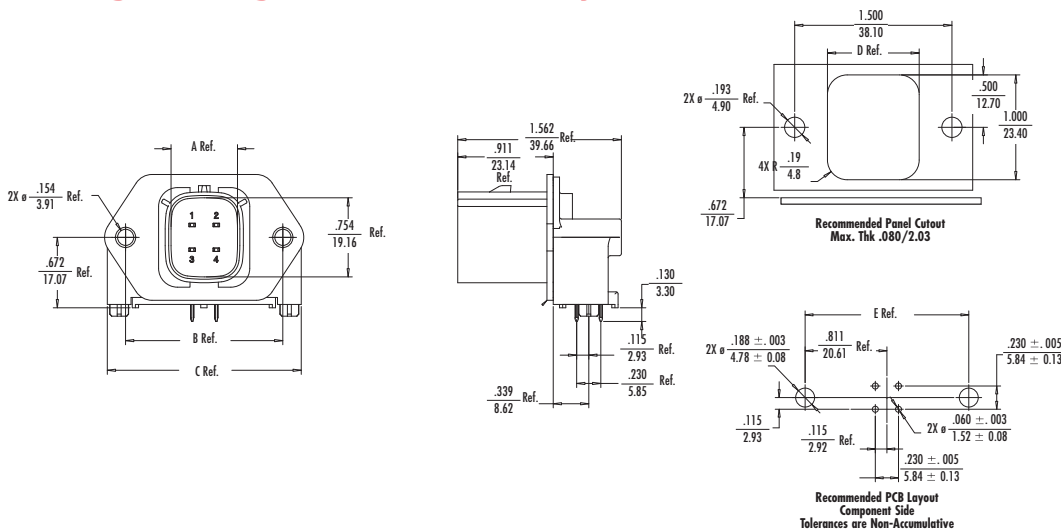
- Durability: Tin Plating—25 cycles  
Gold Plating—100 cycles

#### Physical

- Housing: Glass-Filled PBT
- Contact: Copper Alloy
- Plating: Contact Area – Tin or Gold  
Solder Tail Area – Tin
- PCB Thickness: 1.60mm (.062") max.
- Operating Temperature: -40 to +125°C



### Catalog Drawing (For Reference only)



### Ordering Information

| Circuits | Order No.  |                 | Dimension     |               |               |               |               |
|----------|------------|-----------------|---------------|---------------|---------------|---------------|---------------|
|          | Tin        | Select Gold/Tin | A             | B             | C             | D             | E             |
| 4        | 19427-0032 | 19427-0107      | 16.10 (.634)  | 38.10 (1.50)  | 46.99 (1.850) | 22.23 (.875)  | 41.24 (1.624) |
| 6        | 19427-0018 | 19427-0106      | 21.94 (.864)  | 41.92 (1.65)  | 50.81 (2.0)   | 28.07 (1.105) | 45.06 (1.774) |
| 8        | 19427-0017 | 19427-0105      | 27.74 (1.092) | 48.26 (1.90)  | 57.15 (2.250) | 33.88 (1.334) | 51.41 (2.024) |
| 10       | 19427-0031 | 19427-0104      | 33.62 (1.324) | 54.61 (2.150) | 63.50 (2.50)  | 39.75 (1.565) | 57.75 (2.274) |
| 12       | 19427-0012 | 19427-0103      | 39.46 (1.554) | 60.96 (2.40)  | 69.85 (2.750) | 45.59 (1.795) | 64.1 (2.524)  |
| 16       | 19427-0049 | 19427-0102      | 51.14 (2.014) | 73.67 (2.90)  | 82.55 (3.250) | 57.28 (2.255) | 76.8 (3.024)  |

Note: Recommended Mounting Hardware: (2) #10 x .62/18.9 long, plastic thread cutting screws  
Suggested Source: ITW Shakeproof BosScrew™ or equivalent

## Features and Specifications

### Features and Benefits

Environmentally sealed to IP67  
 Mates with existing MX150L receptacles  
 Molded silicone panel gasket included  
 Available in tin or gold plating  
 Supports 14-22 AWG receptacle  
 Tactile and audible mating feedback  
 Blind hole boss feature eliminates  
 leak path and reduces extra  
 sealing process during assembly

### Reference Information

Packaging: Tray  
 UL File No.: E152602  
 Designed in: Inches  
 Mates with: 19418

### Electrical

Dielectric Withstanding Voltage:  
 2200V AC min  
 Insulation Resistance:  
 1000 Megohms min.  
 Voltage: 600v

### Mechanical

Durability:  
 Tin Plating—25 cycles  
 Gold Plating—100 cycles

### Physical

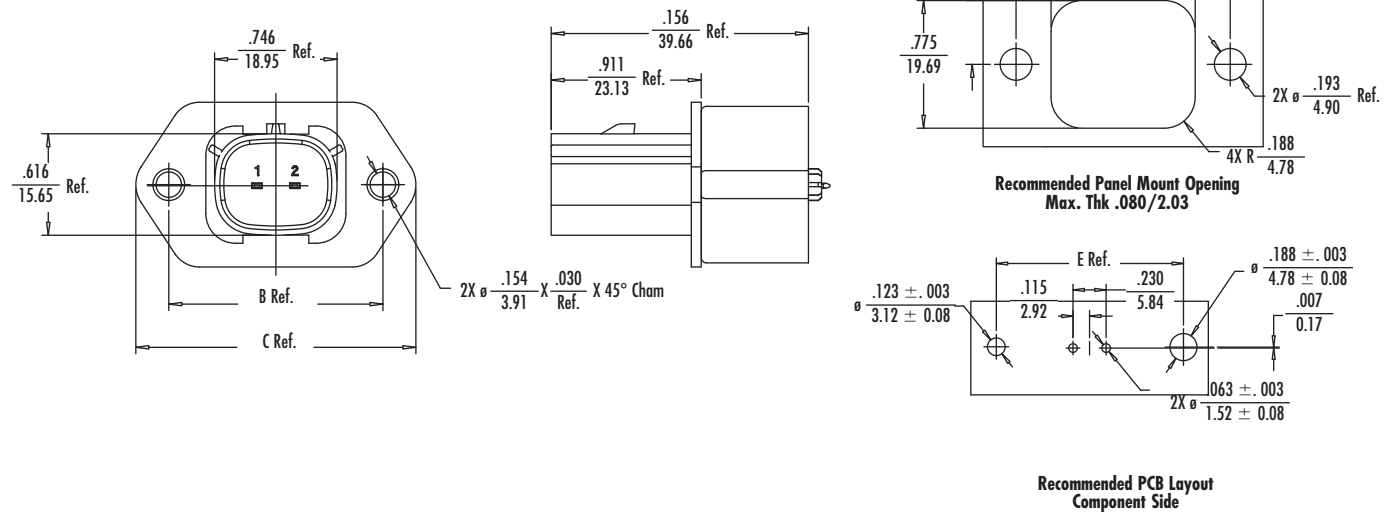
Housing: Glass-Filled PBT  
 Contact: Copper Alloy  
 Plating:  
 Contact Area – Tin or Gold  
 Solder Tail Area – Tin  
 PCB Thickness: 1.60mm (.062") max.  
 Operating Temperature:  
 -40 to +125°C

## 5.84mm (.230") Pitch MX150L™ Industrial PCB Header

19428 Vertical Standard  
Profile Single Row



## Catalog Drawing (For Reference only)



## Ordering Information

| Circuits | Order No.  |                 | Dimension     |              |              |              |
|----------|------------|-----------------|---------------|--------------|--------------|--------------|
|          | Tin        | Select Gold/Tin | B             | C            | D            | E            |
| 2        | 19428-0007 | 19428-0017      | 33.01 (1.300) | 43.18 (1.70) | 22.23 (.875) | 33.02 (1.30) |

Note: Recommended Mounting Hardware: (2) #10 x .62/18.9 long, plastic thread cutting screws  
 Suggested Source: ITW Shakeproof BosScrew™ or equivalent

### Features and Specifications

#### Features and Benefits

- Environmentally sealed to IP67
- Mates with existing MX150L receptacles
- Molded silicone panel gasket included
- Available in tin or gold plating
- Supports 14-22 AWG receptacle
- Tactile and audible mating feedback
- Blind hole boss feature eliminates leak path and reduces extra sealing process during assembly

#### Reference Information

- Packaging: Tray
- UL File No.: E152602
- Designed in: Inches
- Mates with: 19418

#### Electrical

- Contact Resistance: milliohms max.
- Dielectric Withstanding Voltage: 2200V AC min
- Insulation Resistance: 1000 Megohms min.
- Voltage: 600v

#### Mechanical

- Durability: Tin Plating—25 cycles  
Gold Plating—100 cycles

#### Physical

- Housing: Glass-Filled PBT
- Contact: Copper Alloy
- Plating: Contact Area – Tin or Gold  
Solder Tail Area – Tin
- PCB Thickness: 1.60mm (.062") max.
- Operating Temperature: -40 to +125°C



### Catalog Drawing (For Reference only)



### Ordering Information

| Circuits | Order No.  |                 | Dimension     |               |               |              |
|----------|------------|-----------------|---------------|---------------|---------------|--------------|
|          | Tin        | Select Gold/Tin | B             | C             | D             | E            |
| 4        | 19428-0006 | 19428-0019      | 38.10 (1.50)  | 48.26 (1.90)  | 22.23 (.875)  | 38.10 (1.50) |
| 6        | 19428-0004 | 19428-0020      | 41.92 (1.65)  | 52.08 (2.050) | 28.07 (1.105) | 41.91 (1.65) |
| 8        | 19428-0003 | 19428-0021      | 48.26 (1.90)  | 58.42 (2.30)  | 33.88 (1.334) | 48.26 (1.90) |
| 10       | 19428-0005 | 19428-0022      | 54.61 (2.150) | 64.75 (2.54)  | 39.75 (1.565) | 54.61 (2.15) |
| 12       | 19428-0001 | 19428-0023      | 60.96 (2.40)  | 71.12 (2.80)  | 45.59 (1.795) | 60.96 (2.40) |
| 16       | 19428-0002 | 19428-0024      | 73.67 (2.90)  | 83.83 (3.30)  | 57.28 (2.255) | 73.66 (2.90) |

Note: Recommended Mounting Hardware: (2) #10 x .62/18.9 long, plastic thread cutting screws  
Suggested Source: ITW Shakeproof BosScrew™ or equivalent

## Features and Specifications

### Features and Benefits

Environmentally sealed to IP67  
 Mates with existing MX150L receptacles  
 Molded silicone panel gasket included  
 Available in tin or gold plating  
 Supports 14-22 AWG  
 Tactile and audible mating feedback

### Reference Information

Packaging: Tray  
 UL File No.: E152602  
 Designed in: Inches  
 Mates with: 19418

### Electrical

Dielectric Withstanding Voltage:  
 2200V AC min  
 Insulation Resistance:  
 1000 Megohms min.  
 Voltage: 600V

### Mechanical

Durability:  
 Tin Plating—25 cycles  
 Gold Plating—100 cycles

### Physical

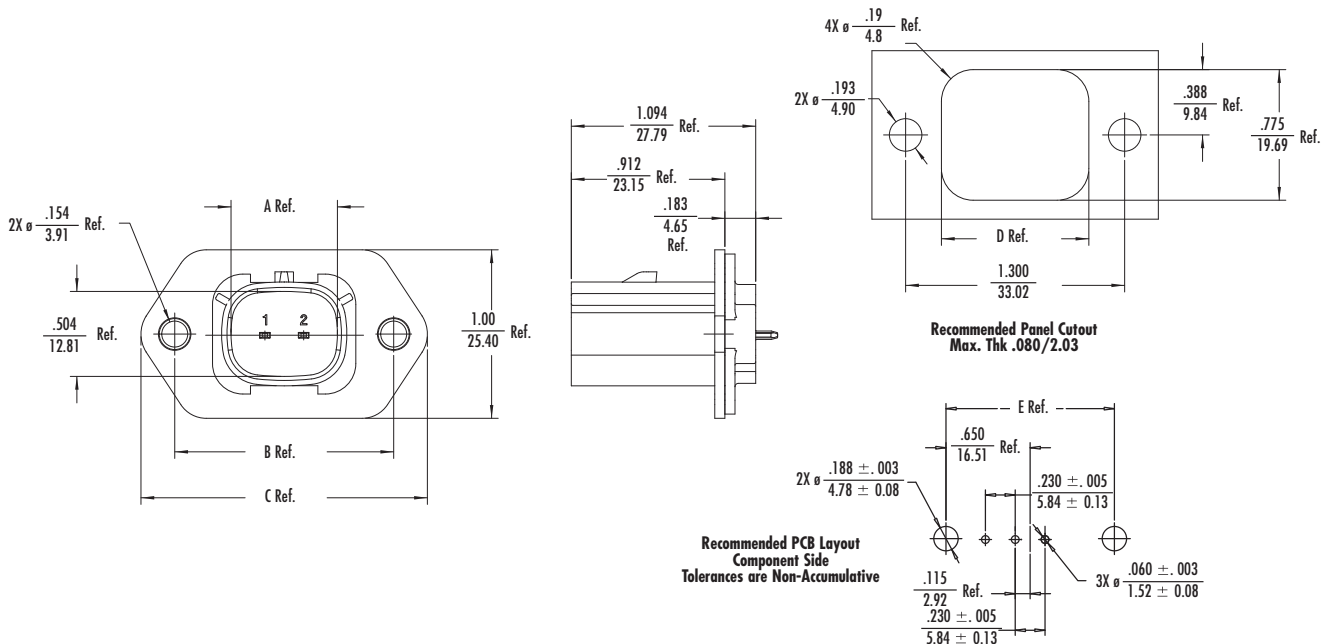
Housing: Glass-Filled PBT  
 Contact: Copper Alloy  
 Plating:  
 Contact Area – Tin or Gold  
 Solder Tail Area – Tin  
 PCB Thickness: 1.60mm (.062") max.  
 Operating Temperature:  
 -40 to +125°C

## 5.84mm (.230") Pitch MX150L™ Industrial PCB Header

19428 Vertical Low Profile  
Single Row



## Catalog Drawing (For Reference only)



## Ordering Information

| Circuits | Order No.  |                     | Dimension    |               |              |              |              |
|----------|------------|---------------------|--------------|---------------|--------------|--------------|--------------|
|          | Tin        | Select Gold/<br>Tin | A            | B             | C            | D            | E            |
| 2        | 19428-0009 | 19428-0025          | 16.10 (.634) | 33.01 (1.300) | 43.18 (1.70) | 22.23 (.875) | 33.02 (1.30) |

### Features and Specifications

#### Features and Benefits

Environmentally sealed to IP67  
Mates with existing MX150L receptacles  
Molded silicone panel gasket included  
Available in tin or gold plating  
Supports 14-22 AWG receptacle  
Tactile and audible mating feedback

#### Reference Information

Packaging: Tray  
UL File No.: E152602  
Designed in: Inches  
Mates with: 19418

#### Electrical

Dielectric Withstanding Voltage:  
2200V AC min  
Insulation Resistance:  
1000 Megohms min.  
Voltage: 600v

#### Mechanical

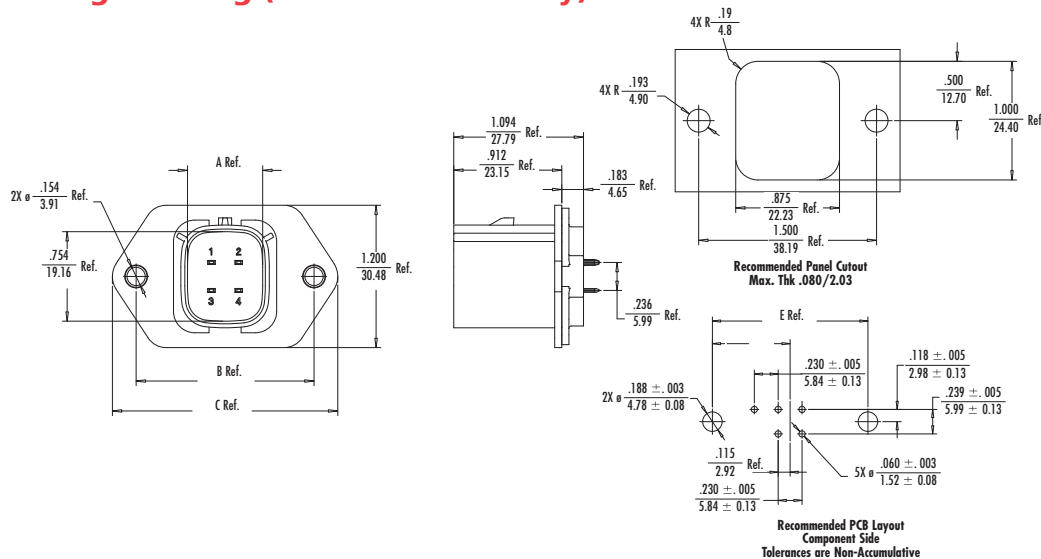
Durability:  
Tin Plating—25 cycles  
Gold Plating—100 cycles

#### Physical

Housing: Glass-Filled PBT  
Contact: Copper Alloy  
Plating:  
Contact Area – Tin or Gold  
Solder Tail Area – Tin  
PCB Thickness: 1.60mm (.062") max.  
Operating Temperature:  
-40 to +125°C



### Catalog Drawing (For Reference only)



### Ordering Information

| Circuits | Order No.  |                 | Dimension     |               |               |              |
|----------|------------|-----------------|---------------|---------------|---------------|--------------|
|          | Tin        | Select Gold/Tin | A             | B             | C             | E            |
| 4        | 19428-0011 | 19428-0027      | 16.10 (.634)  | 38.10 (1.50)  | 48.26 (1.90)  | 38.10 (1.50) |
| 6        | 19428-0012 | 19428-0028      | 21.94 (.864)  | 41.92 (1.65)  | 52.08 (2.050) | 41.91 (1.65) |
| 8        | 19428-0013 | 19428-0029      | 27.74 (1.092) | 48.26 (1.90)  | 58.42 (2.30)  | 48.26 (1.90) |
| 10       | 19428-0014 | 19428-0030      | 33.62 (1.324) | 54.61 (2.150) | 64.75 (2.54)  | 54.61 (2.15) |
| 12       | 19428-0015 | 19428-0031      | 39.46 (1.554) | 60.96 (2.40)  | 71.12 (2.80)  | 60.96 (2.40) |
| 16       | 19428-0016 | 19428-0032      | 53.99 (2.126) | 73.67 (2.90)  | 83.83 (3.30)  | 73.66 (2.90) |

## Features and Specifications

With the application of optional circuit plugs, the MX150L system supports the ability to implement sealed blank cavities in both plug and receptacle housings. The circuit plugs occupy and fully seal the unused cavity and can be extracted and replaced with a standard male blade or female receptacle terminal. This feature provides the ability to plan for possible future circuit additions while maintaining the sealing integrity of the mated pair.

### Reference Information

Use With: 19418, 19419 and 19435

### Physical

Material:

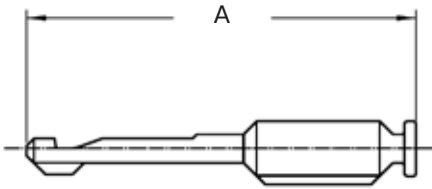
SPS Glass-Filled Crystalline Polymer

Operating Temperature:

-40 to +125°C

**5.84mm (.230")  
Pitch MX150L™  
Industrial Unused  
Cavity Circuit Plug**  
19417 14 to 22 AWG

## Catalog Drawing (For Reference only)



## Ordering Information

| Order No.  | Housing Series | Dimension A  |
|------------|----------------|--------------|
| 19417-0119 | 19418          | 38.3 (1.51)  |
|            | 19419          |              |
| 19417-0263 | 19418*         | 33.97 (1.34) |
|            | 19435          |              |

\*For use with 19418 receptacles when mating to PCB headers or plugs with all contacts populated.

## Specifications

### Features and Benefits

Mat seal friendly design features  
center seam and coined edges  
High current  
Low insertion force

### Reference Information

UL File No.: E152602  
Designed in: Inches  
Use with: 19432

### Electrical

Current:  
10-12 AWG—30.0A  
8 AWG—40.0A

### Physical

Contact: Copper Alloy  
Plating: Tin

### Mechanical

Contact Insertion Force: 1lb  
Durability: 25 cycles

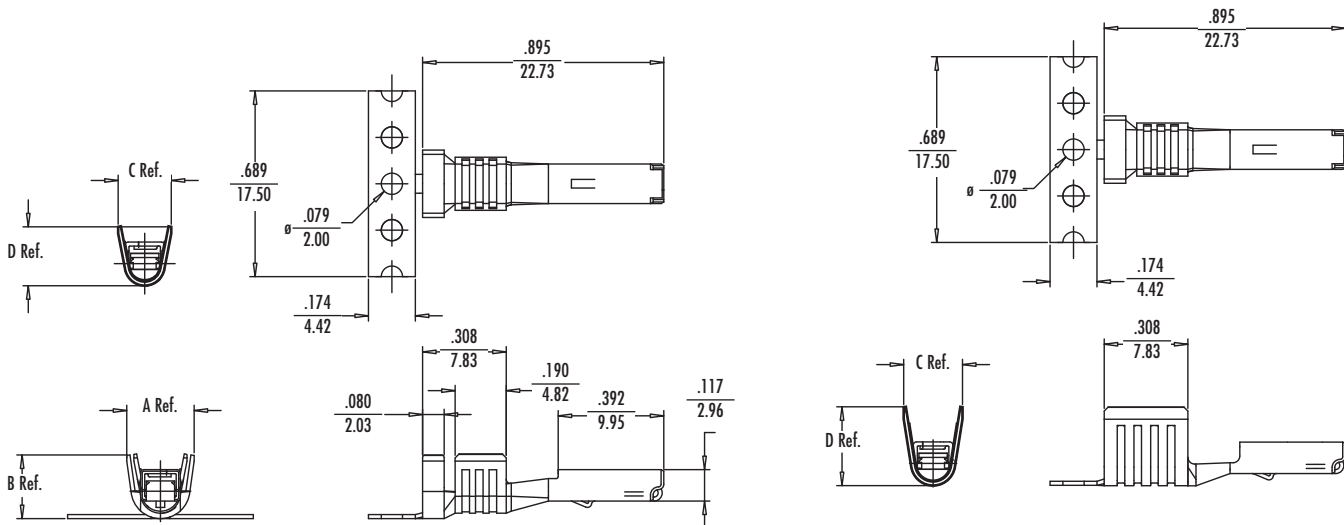


10-12 AWG



8 AWG

## Catalog Drawing (For Reference only)



10-12 AWG

8 AWG

## Ordering Information

| Wire Range (AWG) | Insulation Diameter mm (In) | Order No.  |            | Dimension   |             |             |             |
|------------------|-----------------------------|------------|------------|-------------|-------------|-------------|-------------|
|                  |                             | Loose      | Strip      | A           | B           | C           | D           |
| 10-12            | 3.94-4.45 (.155-.175)       | 19434-0003 | 19434-0001 | 6.35 (.250) | 6.00 (.236) | 5.00 (.197) | 5.60 (.220) |
| 8                | 6.02 (.237)                 | 19434-0004 | 19434-0002 | n/a         | n/a         | 6.10 (.240) | 7.0 (.276)  |

## Features and Specifications

### Features and Benefits

Mat seal friendly design features  
 center seam and coined edges  
 High current  
 Low insertion force  
 Mates With: 19433 and 19436

### Reference Information

UL File No.: E152602  
 Designed in: Inches  
 Use with: 19433 and 19436

### Electrical

Current:  
 10-12 AWG—30.0A  
 8 AWG—40.0A

### Physical

Contact: Copper Alloy  
 Plating: Tin

### Mechanical

Contact Insertion Force: 1lb  
 Durability: 25 cycles

**7.62mm (.300")  
 Pitch MX150L™  
 Industrial Terminal  
 19431 8, 10, 12 AWG Male**

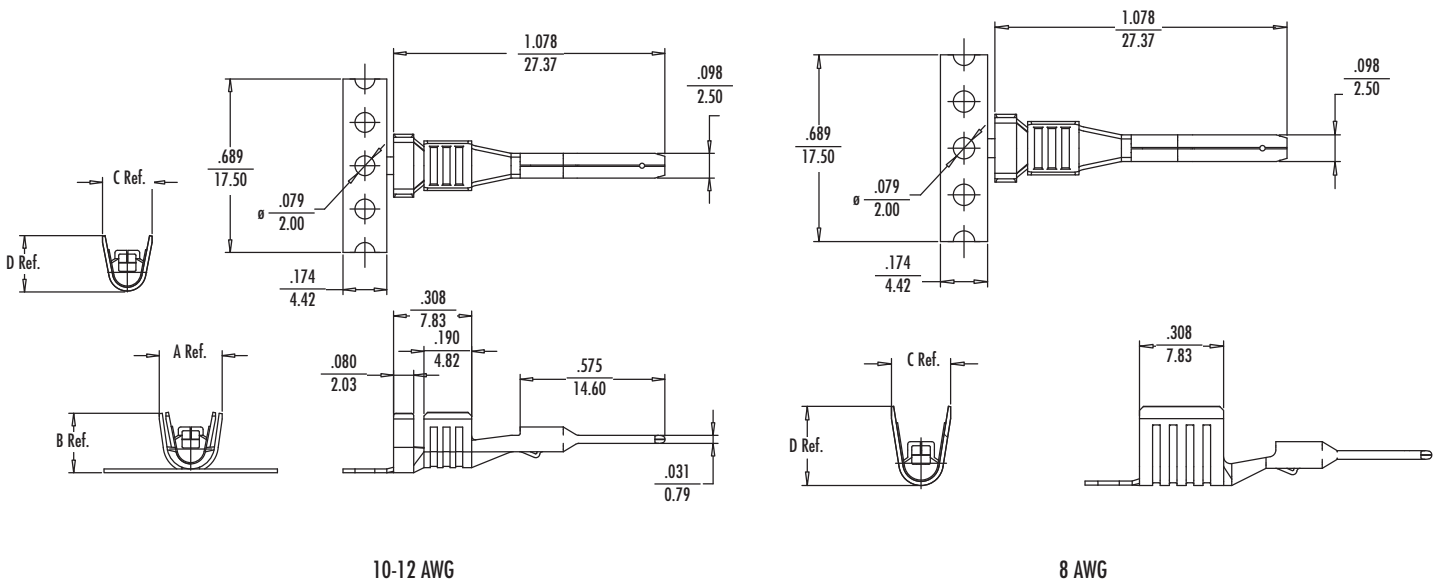


10-12 AWG



8 AWG

## Catalog Drawing (For Reference only)



## Ordering Information

| Wire Range (AWG) | Insulation Diameter mm (In) | Order No.  |            | Dimension   |             |             |             |
|------------------|-----------------------------|------------|------------|-------------|-------------|-------------|-------------|
|                  |                             | Loose      | Strip      | A           | B           | C           | D           |
| 10-12            | 3.94-4.45 (.155-.175)       | 19431-0016 | 19431-0001 | 6.35 (.250) | 6.00 (.236) | 5.00 (.197) | 5.60 (.220) |
| 8                | 6.02 (.237)                 | 19431-0017 | 19431-0015 | n/a         | n/a         | 6.10 (.240) | 7.0 (.276)  |

### Features and Specifications

#### Features and Benefits

Environmentally sealed to IP67  
 Integrated mat wire seal and terminal position assurance  
 High current  
 Field serviceable contact removal system  
 Simple crimp-and-poke application  
 Tactile and audible mating feedback  
 CPA connector position assurance included

#### Reference Information

UL File No.: E152602  
 Designed in: Inches  
 Mates with: 19433 and 19436  
 Use with: 19434

#### Electrical

Dielectric Withstanding Voltage: 2200V AC min  
 Insulation Resistance: 1000 Megohms min.  
 Voltage: 600V

#### Mechanical

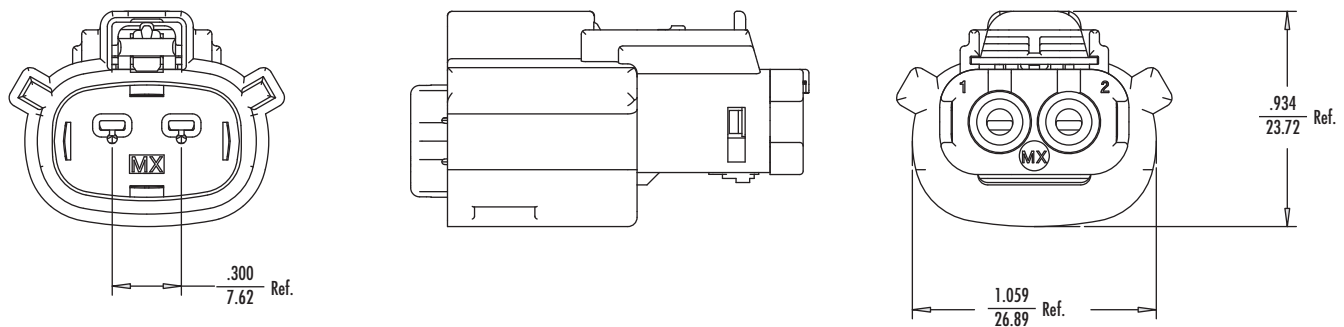
Mating Force: 75N max  
 Unmating Force: 75N max

#### Physical

Housing: Glass-Filled PBT  
 Operating Temperature: -40 to +125°C



### Catalog Drawing (For Reference only)



### Ordering Information

| Circuits | Wire Range (AWG) | Mat Seal Color | Order No. with CPA | Order No. without CPA |
|----------|------------------|----------------|--------------------|-----------------------|
| 2        | 10-12            | Yellow         | 19432-0013         | 19432-0015            |
|          | 8                | Red            | 19432-0014         | 19432-0020            |

## Features and Specifications

### Features and Benefits

Environmentally sealed to IP67  
 Integrated mat wire seal and terminal position assurance  
 High current  
 Field serviceable contact removal system  
 Simple crimp-and-poke application  
 Tactile and audible mating feedback  
 Mates With: 19433 and 19436

### Reference Information

UL File No.: E152602  
 Designed in: Inches  
 Mates with: 19432  
 Use with: 19431

### Electrical

Dielectric Withstanding Voltage: 2200V AC min  
 Insulation Resistance: 1000 Megohms min.  
 Voltage: 600V

### Mechanical

Mating Force: 75N max  
 Unmating Force: 75N max

### Physical

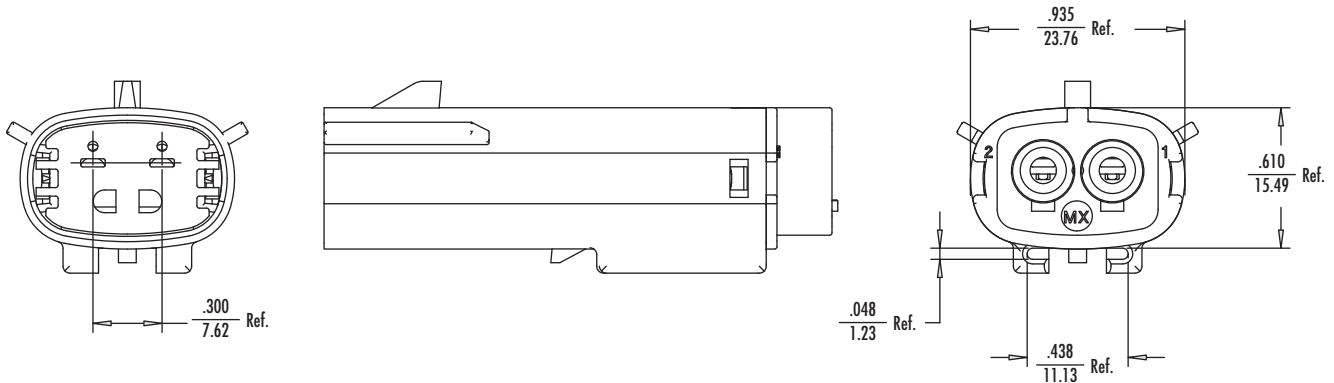
Housing: Glass-Filled PBT  
 Operating Temperature: -40 to +125°C

**7.62mm (.300")  
 Pitch MX150L™  
 Industrial Plug**

19433 8,10,12 AWG  
 Single Row



## Catalog Drawing (For Reference only)



## Ordering Information

| Circuits | Wire Range (AWG) | Mat Seal Color | Order No.  |
|----------|------------------|----------------|------------|
| 2        | 10-12            | Yellow         | 19433-0013 |
|          | 8                | Red            | 19433-0014 |

### Features and Specifications

#### Features and Benefits

- Environmentally sealed to IP67
- Integrated mat wire seal and terminal position assurance
- High current
- Field serviceable contact removal system
- Simple crimp-and-poke application
- Tactile and audible mating feedback

#### Reference Information

- UL File No.: E152602
- Designed in: Inches
- Mates with: 19433 and 19436
- Use with: 19434

#### Electrical

- Dielectric Withstanding Voltage: 2200V AC min
- Insulation Resistance: 1000 Megohms min.
- Voltage: 600V

#### Mechanical

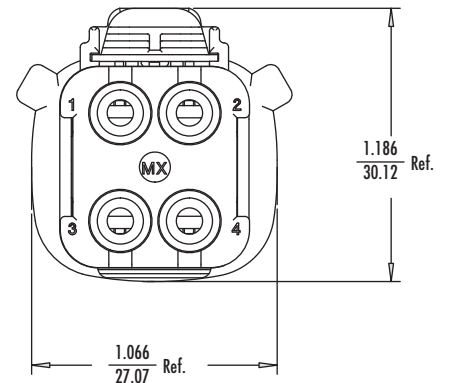
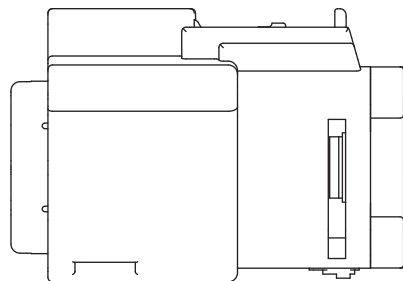
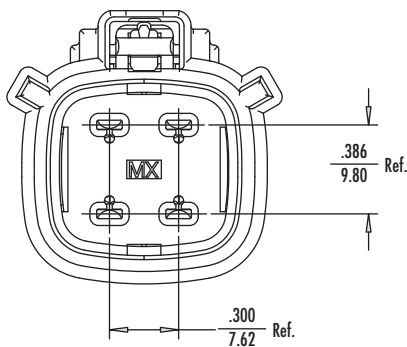
- Mating Force: 75N max
- Unmating Force: 75N max

#### Physical

- Housing: Glass-Filled PBT
- Operating Temperature: -40 to +125°C



### Catalog Drawing (For Reference only)



### Ordering Information

| Circuits | Wire Range (AWG) | Mat Seal Color | Order No. with CPA | Order No. without CPA |
|----------|------------------|----------------|--------------------|-----------------------|
| 4        | 10-12            | Yellow         | 19432-0001         | 194320003             |
|          | 8                | Red            | 19432-0002         | 194320004             |

## Features and Specifications

### Features and Benefits

Environmentally sealed to IP67  
 Integrated mat wire seal and terminal position assurance  
 High current  
 Field serviceable contact removal system  
 Simple crimp-and-poke application  
 Tactile and audible mating feedback  
 Mates With: 19432

### Reference Information

UL File No.: E152602  
 Designed in: Inches  
 Mates with: 19432  
 Use with: 19431

### Electrical

Dielectric Withstanding Voltage:  
 2200V AC min  
 Insulation Resistance:  
 1000 Megohms min.  
 Voltage: 600V

### Mechanical

Mating Force: 75N max  
 Unmating Force: 75N max

### Physical

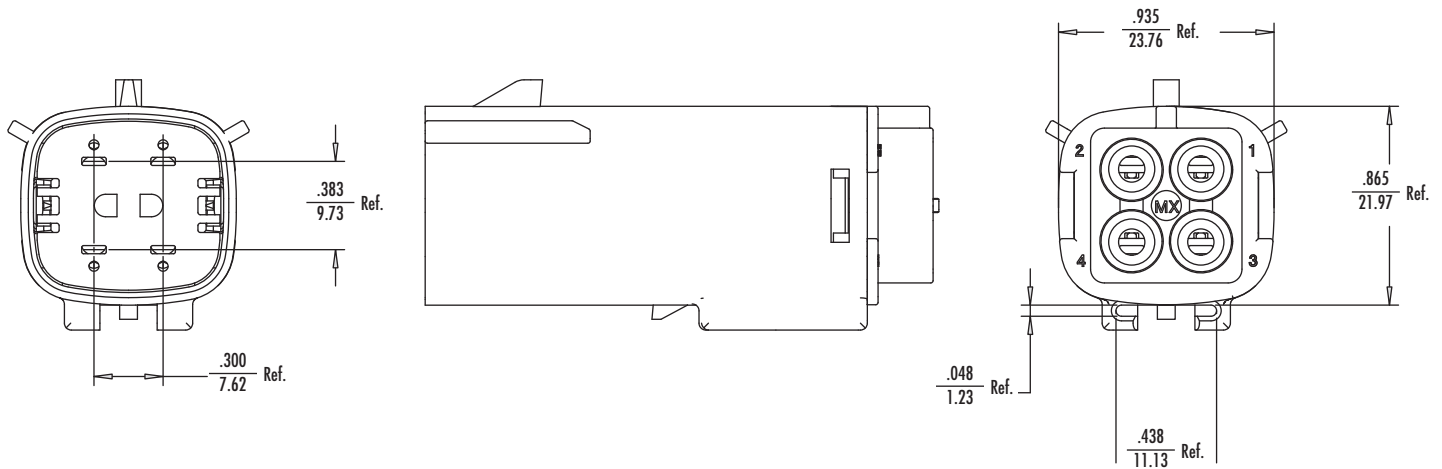
Housing: Glass-Filled PBT  
 Operating Temperature:  
 -40 to +125°C

## 7.62mm (.300") Pitch MX150L™ Industrial Plug

19433 8, 10, 12 AWG  
 Dual Row



## Catalog Drawing (For Reference only)



## Ordering Information

| Circuits | Wire Range (AWG) | Mat Seal Color | Order No.  |
|----------|------------------|----------------|------------|
| 4        | 10-12            | Yellow         | 19433-0001 |
|          | 8                | Red            | 19433-0002 |

## 7.62mm (.300") Pitch MX150L™ Industrial Sealed Panel Mount Plug

19436 Rear Mount Flange  
Single Row

### Features and Specifications

#### Features and Benefits

Environmentally sealed to IP67  
Mates with existing MX150L receptacles  
Supports non-closed in panels  
Field serviceable contact  
removal system  
Tactile and audible mating feedback  
Blind hole boss feature eliminates  
leak path and reduces extra  
sealing process during assembly  
Mates With: 19432

#### Reference Information

UL File No.: E152602  
Designed in: Inches  
Mates with: 19432  
Use with: 19431

#### Electrical

Dielectric Withstanding Voltage:  
2200V AC min  
Insulation Resistance:  
1000 Megohms min.  
Voltage: 600v

#### Mechanical

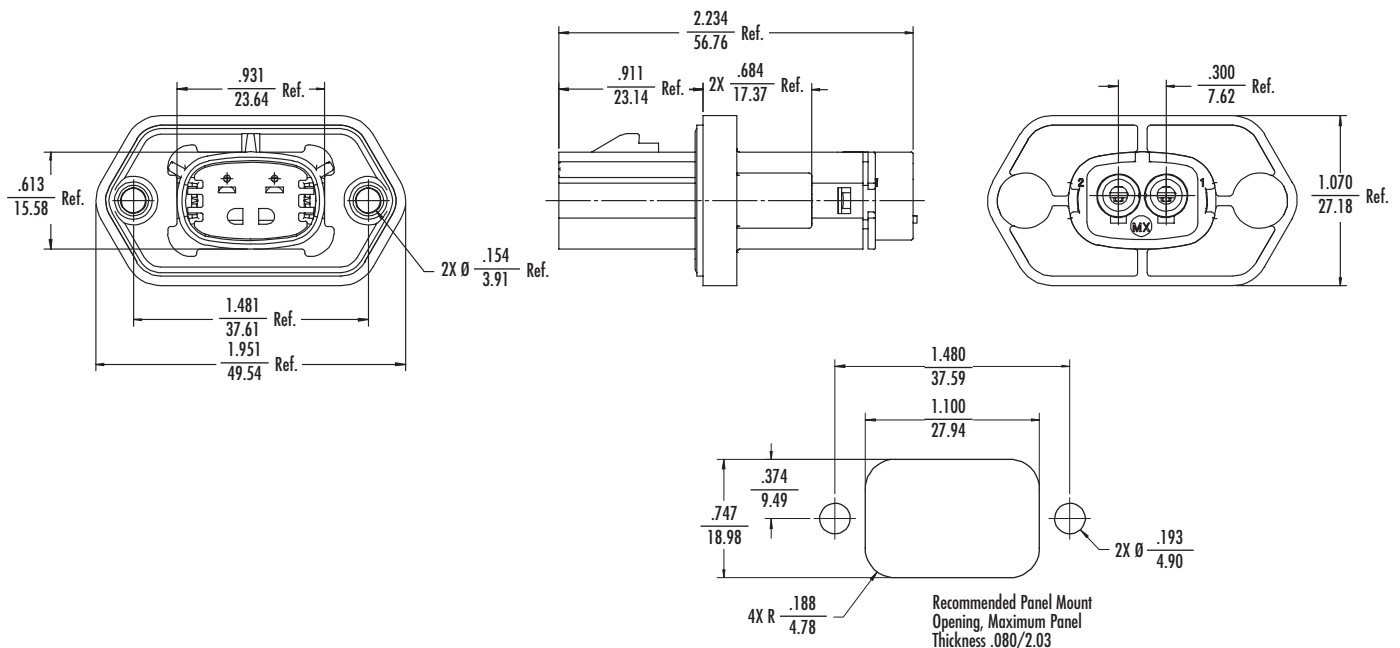
Mating Force: 75N max  
Unmating Force: 75N max

#### Physical

Housing: Glass-Filled PBT  
Operating Temperature:  
-40 to +125°C



### Catalog Drawing (For Reference only)



### Ordering Information

| Circuits | Wire Range (AWG) | Order No.   |                |            |
|----------|------------------|-------------|----------------|------------|
|          |                  | With Gasket | Without Gasket | Gasket     |
| 2        | 10-12            | 19436-0213  | 19436-0211     | 19436-0001 |
|          | 8                | 19436-0214  | 19436-0212     |            |

Note: Recommended Mounting Hardware: (2) #10 x .62/18.9 long, plastic thread cutting screws  
Suggested Source: ITW Shakeproof BosScrew™ or equivalent



## Features and Specifications

### Features and Benefits

Environmentally sealed to IP67  
 Mates with existing MX150L receptacles  
 Supports non-closed in panels  
 Field serviceable contact removal system  
 Tactile and audible mating feedback  
 Blind hole boss feature eliminates leak path and reduces extra sealing process during assembly

### Reference Information

UL File No.: E152602  
 Designed in: Inches  
 Mates with: 19432  
 Use with: 19431

### Electrical

Dielectric Withstanding Voltage: 2200V AC min  
 Insulation Resistance: 1000 Megohms min.  
 Voltage: 600v

### Mechanical

Mating Force: 75N max  
 Unmating Force: 75N max

### Physical

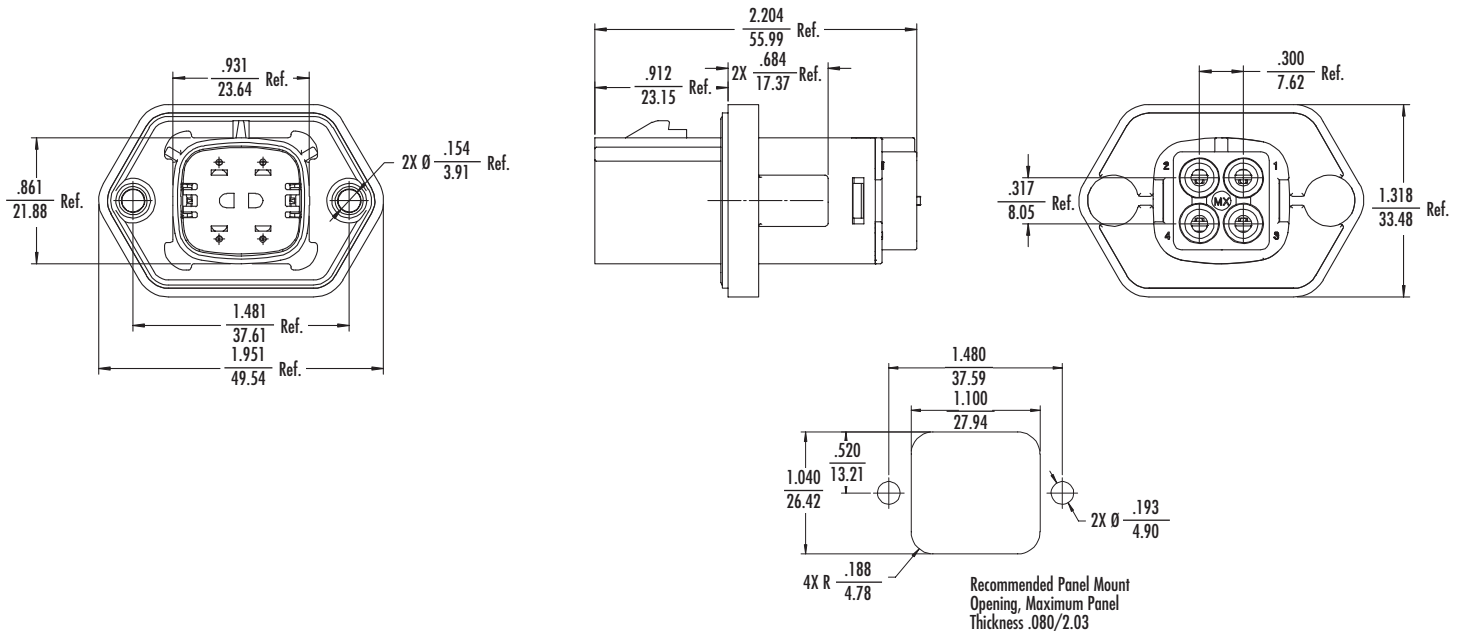
Housing: Glass-Filled PBT  
 Operating Temperature: -40 to +125°C

## 7.62mm (.300") Pitch MX150L™ Industrial Sealed Panel Mount Plug

19436 Rear Mount Flange Dual Row



## Catalog Drawing (For Reference only)



## Ordering Information

| Circuits | Wire Range (AWG) | Order No.      |             |            |
|----------|------------------|----------------|-------------|------------|
|          |                  | Without Gasket | With Gasket | Gasket     |
| 4        | 10-12            | 19436-0413     | 19436-0411  | 19436-0002 |
|          | 8                | 19436-0414     | 19436-0412  |            |

Note: Recommended Mounting Hardware: (2) #10 x .62/18.9 long, plastic thread cutting screws  
 Suggested Source: ITW Shakeproof BosScrew™ or equivalent

### Features and Specifications

#### Features and Benefits

Environmentally sealed to IP67  
 Mates with existing MX150L receptacles  
 Molded silicone panel gasket included  
 Available in tin or gold plating  
 Supports 8-12 AWG receptacle  
 Tactile and audible mating feedback  
 Blind hole boss feature eliminates leak path and reduces extra sealing process during assembly

#### Mechanical

Mating Force: 75N max.  
 Unmating Force: 75N max.  
 Sealing: IEC 529 — IP67 standard  
 Durability: 100 cycles

#### Electrical

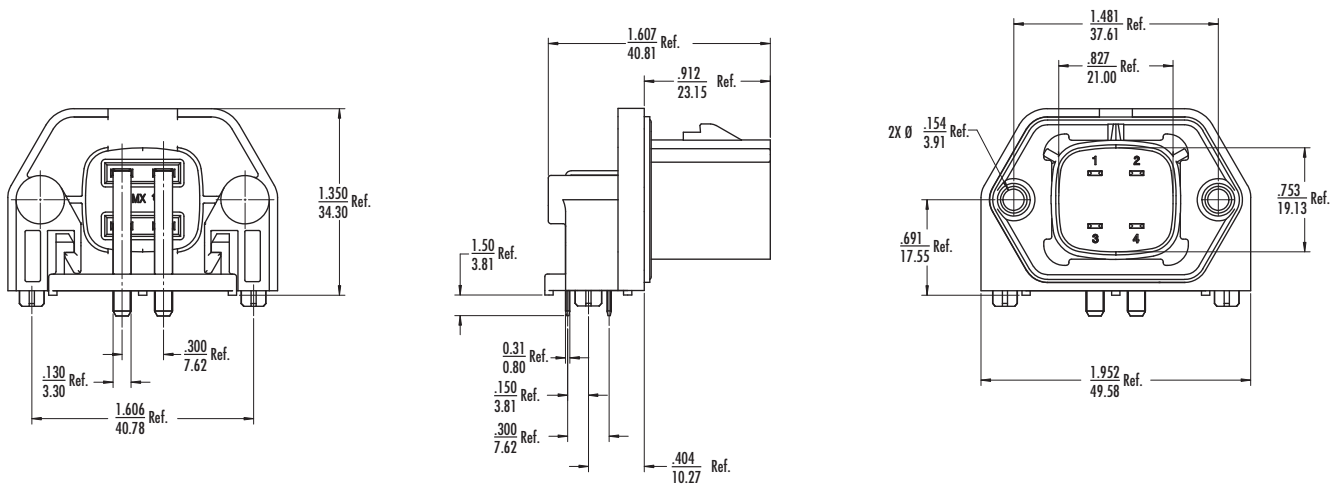
Voltage: 600V AC  
 Current:  
 8 AWG — 40.0A  
 10 to 12 AWG — 30.0A  
 Dielectric Withstanding Voltage:  
 2200V AC min.  
 Insulation Resistance: 1000 Megohms

#### Physical

Housing: Glass-filled PBT, Black  
 Contact: Copper (Cu) Alloy  
 Plating: Tin (Sn)  
 Operating Temperature:  
 -40 to +125°C  
 Flammability: UL 94V-0



### Catalog Drawing (For Reference only)



### Ordering Information

#### PCB Header

| Order No.  | Circuits | Wire Range (AWG) | Panel Gasket |
|------------|----------|------------------|--------------|
| 19437-0029 | 4        | 8, 10 and 12     | Yes          |

## Features and Specifications

With the application of optional circuit plugs, the MX150L system supports the ability to implement sealed blank cavities in both plug and receptacle housings. The circuit plugs occupy and fully seal the unused cavity and can be extracted and replaced with a standard male blade or female receptacle terminal. This feature provides the ability to plan for possible future circuit additions while main-taining the sealing integrity of the mated pair.

### Reference Information

Use With: 19433 and 19432

### Physical

Material: Glass-Filled PBT

Operating Temperature:

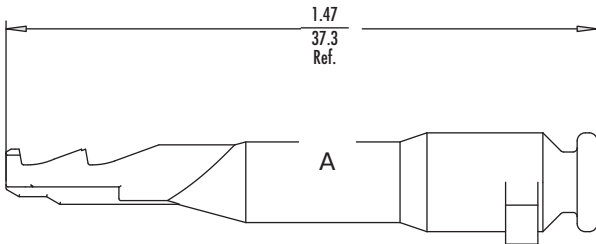
-40 to +125°C

**7.62mm (.300")  
Pitch MX150L™  
Industrial  
Unused Cavity  
Circuit Plug**

**19431 8, 10, 12 AWG**



## Catalog Drawing (For Reference only)



## Ordering Information

| Housing Series | Order No.  |
|----------------|------------|
| 19433          | 19431-0013 |
| 19432          | 19431-0013 |

## Features and Specifications

### FINEADJUST

#### Features and Benefits

FineAdjust allows users to achieve target with little effort by adjusting on increments of 0.15mm (.0006") for conductor crimp height and .063mm (.0025") for insulation height

Independent adjustment rings allow users to quickly adjust the conductor or insulation crimp height without affecting each other

Quick tooling removal with the push of a button for fast and easy tooling change

Track adjustment for bellmouth and cut-off tab is adjusted while the

applicator is in the press for fast and easy setup

Compatible with the Molex TM-2000™ Universal Press and most industry standard presses, however, it does not fit into Molex TM-40™/TM-42™ press

Directly adapts to most automatic wire processing machines

Quick set-up time; plus the crimp height, track and feed adjustments can be preset in applicator

Applicator designed to industry standard mounting and shut height 135.80mm (5.346")

FineAdjust available for most Molex brand terminals

## Semi-Automatic Bench Top Crimp Press Tooling

FineAdjust™ Applicator  
Manual Hand Crimp Tool



### MANUAL HAND CRIMP TOOL

#### Features and Benefits

Ergonomically designed soft handles

Precisely designed crimping profiles with simple contact positioning

Easy handling due to outstanding force ratio

This tool type reduces work related injuries

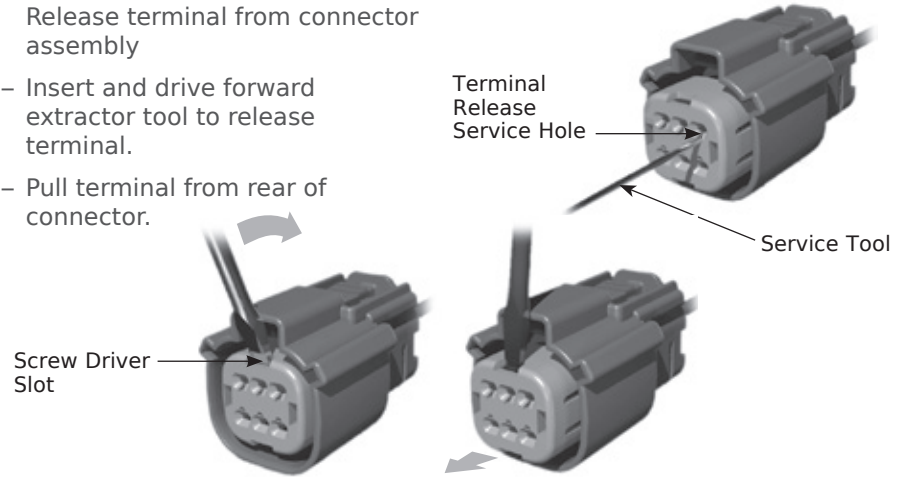


## Ordering Information

| Terminal Series No.     | Terminal Type           | Tool Type                   | Order No.  | Wire Gauge AWG (mm) |
|-------------------------|-------------------------|-----------------------------|------------|---------------------|
| 19417/19420             | MX150L™ Male and Female | FineAdjust Applicator       | 63900-8200 | 14-16 (2.00-1.30)   |
| 19417/19420             | MX150L Male and Female  | Perishable Tool Kit         | 63865-6070 | 14-16 (2.00-1.30)   |
| 19417/19420             | MX150L Male and Female  | T2 Terminator Die           | 63910-8200 | 14-16 (2.00-1.30)   |
| 19417                   | MX150L Male             | FineAdjust Applicator       | 63900-8300 | 18-22 (0.80-0.35)   |
| 19417                   | MX150L Male             | Perishable Tool Kit         | 63865-6170 | 18-22 (0.80-0.35)   |
| 19417                   | MX150L Male             | T2 Terminator Die           | 63910-8300 | 18-22 (0.80-0.35)   |
| 19420                   | MX150L Female           | FineAdjust Applicator       | 63900-8400 | 18-22 (0.80-0.35)   |
| 19420                   | MX150L Female           | Perishable Tool Kit         | 63865-6270 | 18-22 (0.80-0.35)   |
| 19420                   | MX150L Female           | T2 Terminator Die           | 63910-8400 | 18-22 (0.80-0.35)   |
| 19417/19420             | MX150L Male and Female  | OEM PremiumGrade™ Hand Tool | 63811-4400 | 14-22 (2.00-0.35)   |
| 19417/19420             | MX150L Male and Female  | ServiceGrade™ Hand Tool     | 64016-0035 | 14-22 (2.00-0.35)   |
| 19434/19417/19420/19431 | MX150L Male and Female  | Terminal Extraction Tool    | 63813-1500 | 8-22 (.237-0.35)    |
| 19431/19434             | MX150L Male and Female  | FineAdjust Applicator       | 63895-8200 | 10-12 (3.94-4.45)   |
| 19431/19434             | MX150L Male and Female  | Perishable Tool Kit         | 63832-5070 | 10-12 (3.94-4.45)   |
| 19431/19434             | MX150L Male and Female  | OEM PremiumGrade Hand Tool  | 63811-5300 | 10-12 (3.94-4.45)   |
| 19431/19434             | MX150L Male and Female  | FineAdjust Applicator       | 63832-5100 | 8 (.237)            |
| 19431/19434             | MX150L Male and Female  | Perishable Tool Kit         | 63832-5170 | 8 (.237)            |
| 19431/19434             | MX150L Male and Female  | OEM PremiumGrade Hand Tool  | 63811-5400 | 8 (.237)            |
| 19431/19434             | MX150L Male and Female  | ServiceGrade Hand Tool      | 64016-0170 | 10-12 (3.94-4.45)   |
| 19431/19434             | MX150L Male and Female  | ServiceGrade Hand Tool      | 64016-0170 | 8 (.237)            |

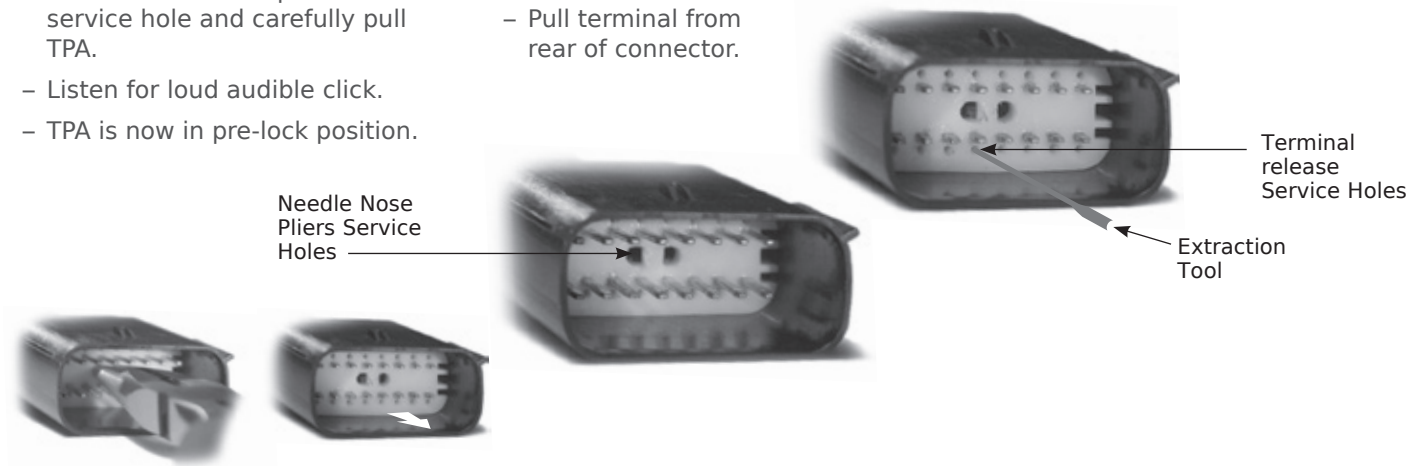
### Sealed Receptacle Assembly - Servicability

- 1) Return TPA to pre-lock position
  - Carefully insert a standard screw driver into slot on top of TPA.
  - Carefully pry TPA forward and listen for audible click.
  - TPA is now in pre-lock position.
- 2) Release terminal from connector assembly
  - Insert and drive forward extractor tool to release terminal.
  - Pull terminal from rear of connector.



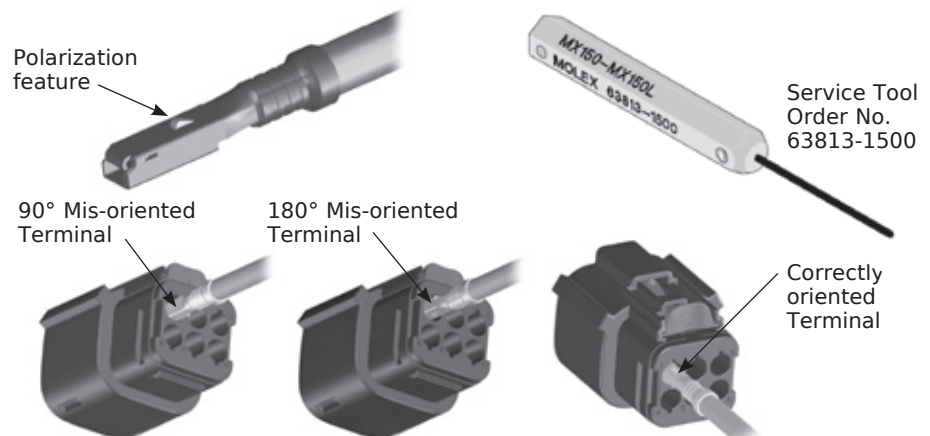
### Sealed Blade Assembly - Servicability

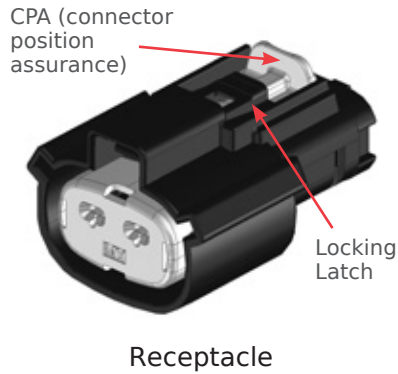
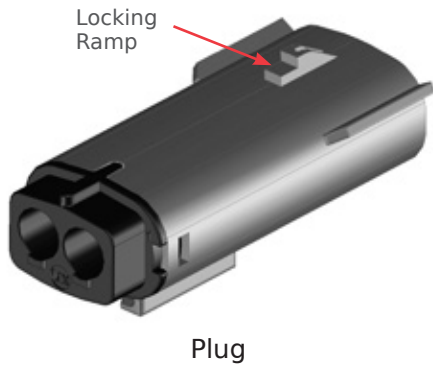
- 1) Return TPA to pre-lock position
  - Use standard needle nose pliers to return TPA to pre-lock position.
  - Insert needle nose pliers into service hole and carefully pull TPA.
  - Listen for loud audible click.
  - TPA is now in pre-lock position.
- 2) Release terminal from connector assembly
  - Insert and drive forward extractor tool to release terminal.
  - Pull terminal from rear of connector.



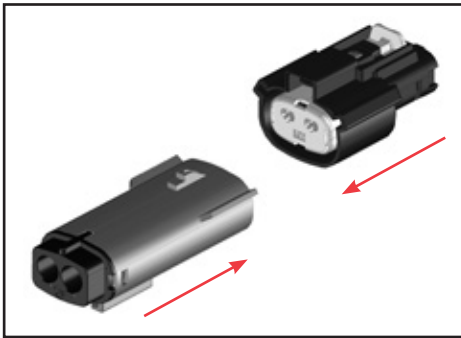
### Terminal Installation

Assure housing TPA is in pre-lock position. Align polarization feature on terminal with keyway in seal cap. Insert terminal and push until seated. Push receptacle TPA back to locked position. Plug TPA will return to locked position when mated with receptacle housing.

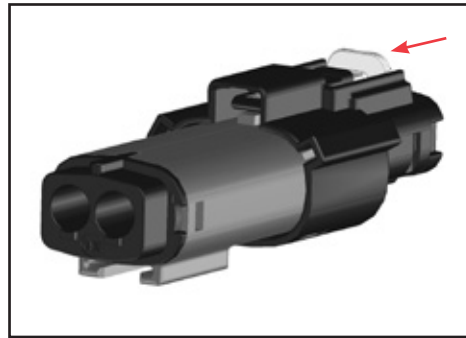




### To Mate:

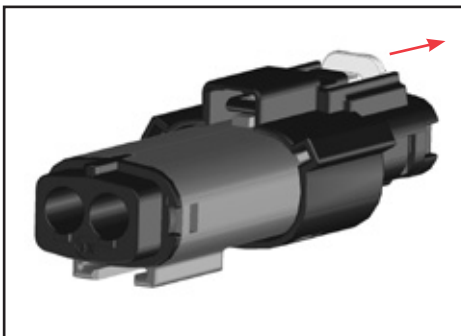


1. Firmly push connectors together until you feel them snap together, you should hear a click. This audible and tactile confirmation ensures the connectors are properly and fully mated.

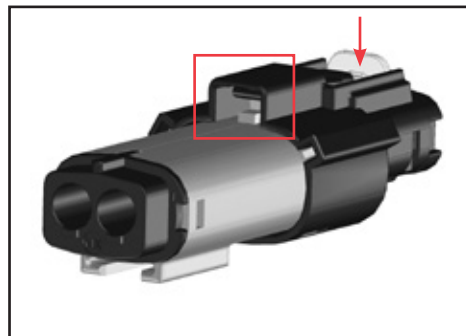


2. Press CPA towards plug to engage the secondary lock.

### To Unmate:

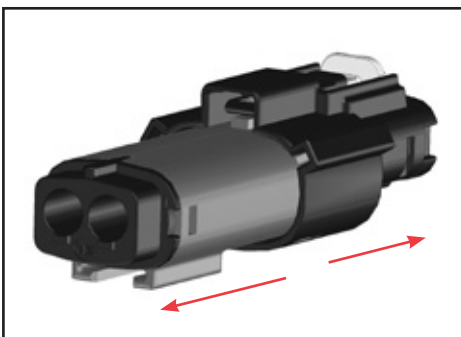


1. Pull back CPA

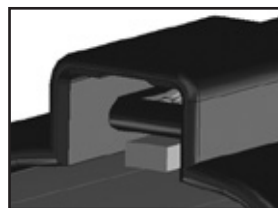


2. Fully depress locking latch

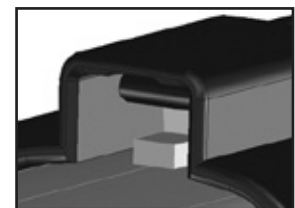
Locking latch must be fully depressed to release the locking ramp on the plug and allow the connectors to be separated!



3. Pull connectors apart



Locking latch shown down, cannot unmate connectors



Locking latch shown fully depressed, latch releases locking ramp

Get more insights at: [molex.com/product/mx150industrial.html](http://molex.com/product/mx150industrial.html)

## Looking for pricing, stock, or lifecycle information?

Click below to explore more details on WIN SOURCE:

 [View 194290030 on WIN SOURCE](#)

 [Molex, LLC Information](#)

## Optimize Your Supply Chain with WIN SOURCE Solutions

-  Global Sourcing Solution
-  Obsolete Management
-  Cost Control Management
-  Shortage Management
-  Alternative Solution
-  Excess Inventory Management