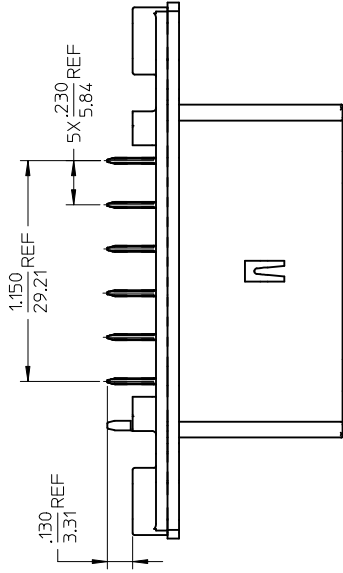
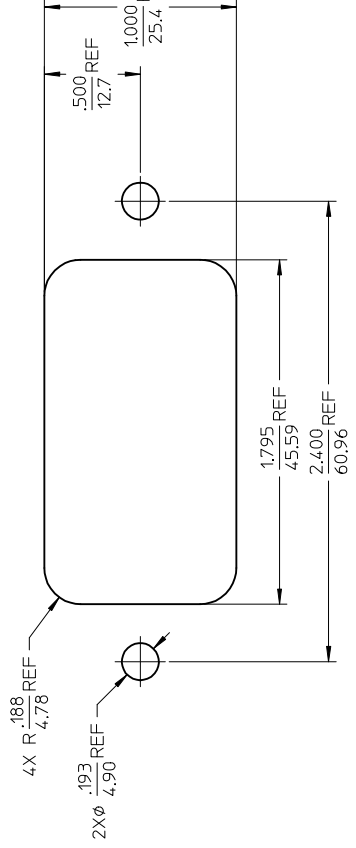


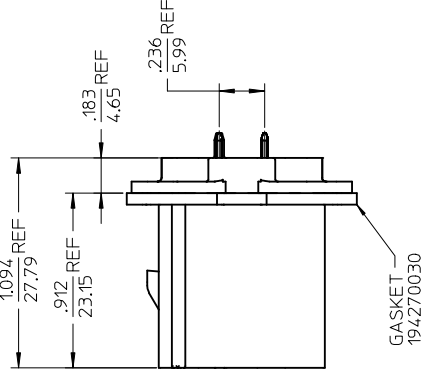
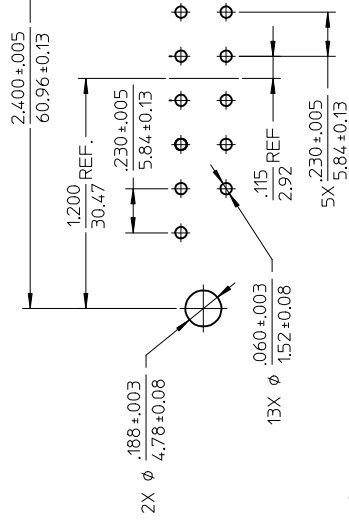


**THE DATASHEET OF**  
**194280015**

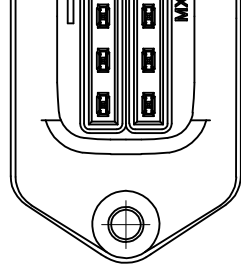
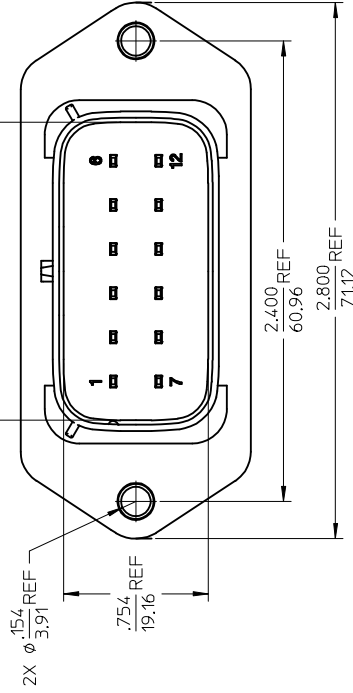




RECOMMENDED PANEL CUTOUT  
MAX PANEL THICKNESS .080/2.03



RECOMMENDED PCB LAYOUT  
COMPONENT VIEW  
TOLERANCES ARE NON-ACCUMULATIVE



NOTES:

1. MATERIALS: HOUSING: POLYESTER (PBT), GLASS FILLED, UL94 V-0, COLOR: BLACK  
TERMINALS: COPPER ALLOY
2. FINISHES: 1. TIN ONLY; 100µIN TIN OVER 50µIN NICKEL  
2. TIN/GOLD; 30µIN SELECT GOLD (CONTACT MATING AREA), 100µIN SELECT TIN (PCB TAIL AREA) OVER 50µIN NICKEL OVERALL.
3. PRODUCT SPECIFICATION: PS-19428-001.
4. PACKAGING SPECIFICATION: PK-19428-002.
5. MATES WITH: 19418 SERIES RECEPTACLE ASSEMBLIES.

REV	DESCRIPTION	QUALITY SYMBOLS	GENERAL TOLERANCES (UNLESS SPECIFIED)	DIMENSION STYLE
A	FC NO: ETC2005-0213 DRWN: JPAMLICK 2005/06/10 CHKD: JPAMLICK 2005/06/14 APP: RDEROSS 2005/06/14	▶=0 ▽=0	mm ± --- INCH ± --- 3 PLACES ± --- ± .015 2 PLACES ± 0.38 ± --- 1 PLACE ± --- ± --- ANGULAR ± 1 °	IN/MM

QUALITY SYMBOLS	GENERAL TOLERANCES (UNLESS SPECIFIED)	DIMENSION STYLE
▶=0 ▽=0	mm ± --- INCH ± --- 3 PLACES ± --- ± .015 2 PLACES ± 0.38 ± --- 1 PLACE ± --- ± --- ANGULAR ± 1 °	IN/MM

DRAFT WHERE APPLICABLE  
MUST REMAIN WITHIN DIMENSIONS

SEE CHART FOR THIS DRAWING CONTAINED AND INCORPORATED AND SH

tb\_frame\_C.P.A.M.T  
Rev. D 2004/06/28

REV	DESCRIPTION	QUALITY SYMBOLS	GENERAL TOLERANCES (UNLESS SPECIFIED)	DIMENSION STYLE
A	FC NO: ETC2005-0213 DRWN: JPAMLICK 2005/06/10 CHKD: JPAMLICK 2005/06/14 APP: RDEROSS 2005/06/14	▶=0 ▽=0	mm ± --- INCH ± --- 3 PLACES ± --- ± .015 2 PLACES ± 0.38 ± --- 1 PLACE ± --- ± --- ANGULAR ± 1 °	IN/MM

## Looking for pricing, stock, or lifecycle information?

Click below to explore more details on WIN SOURCE:

 [View 194280015 on WIN SOURCE](#)

 [Molex, LLC Information](#)

## Optimize Your Supply Chain with WIN SOURCE Solutions

-  Global Sourcing Solution
-  Obsolete Management
-  Cost Control Management
-  Shortage Management
-  Alternative Solution
-  Excess Inventory Management