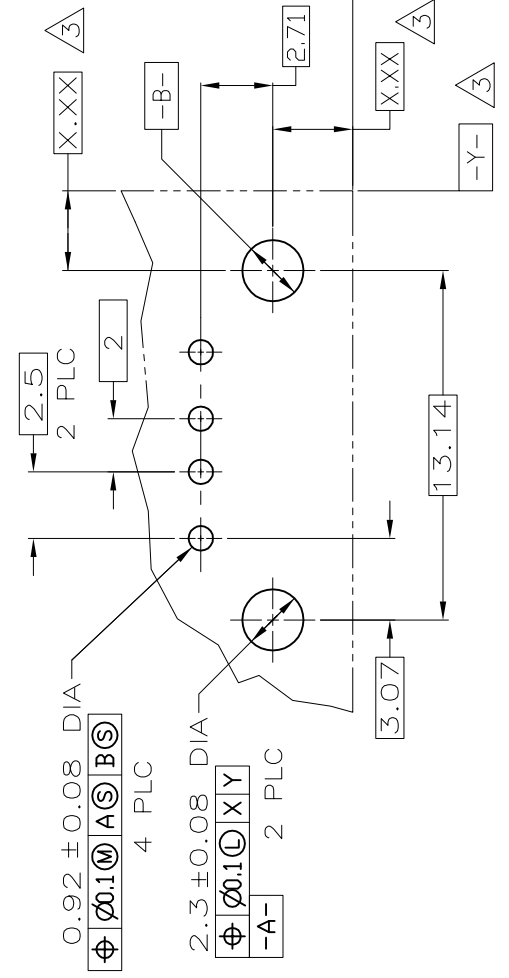


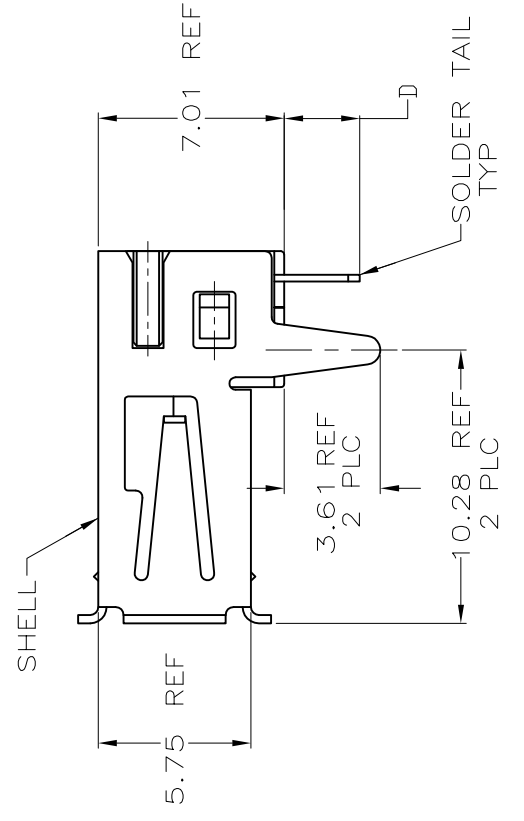
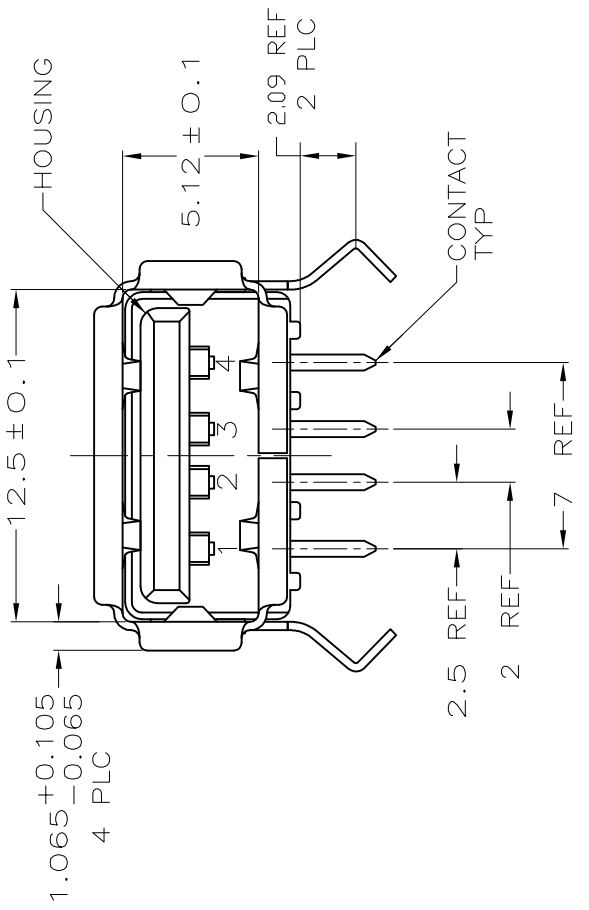
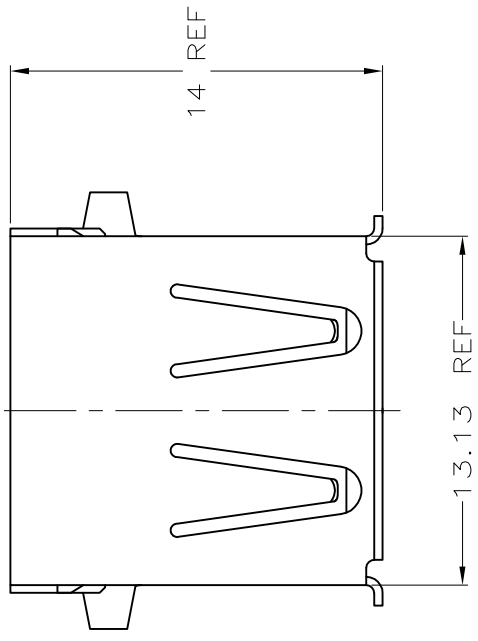


THE DATASHEET OF
292303-4





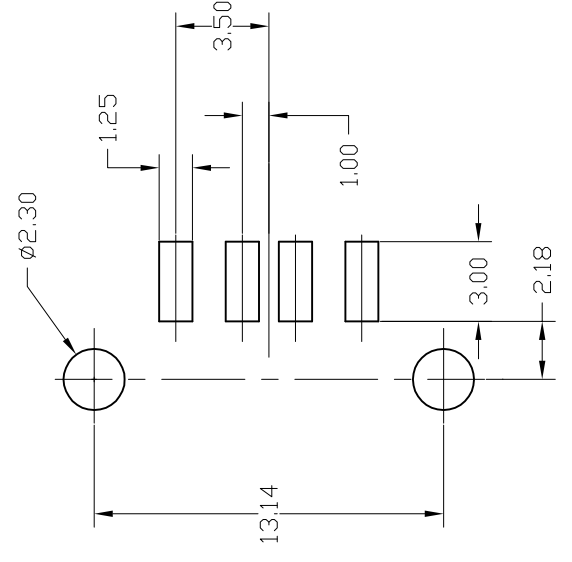
PC BOARD MOUNTING DIMENSIONS



- 3 MATERIAL
- 4 SHELL
- 5 CONTACT
- 6 HOUSING
- 7 PLATING
- 8 CONTACT
- 9 PALLADIUM
- 10 3.8µm
- 11 BOTH
- 12 CONTACT
- 13 AREA,
- 14 OVER
- 15 SHELL:
- 16 DATUM A
- 17 RECOMMENDED
- 18 PLATING
- 19 CONTACT
- 20 3.8µm
- 21 BOTH
- 22 SHELL:

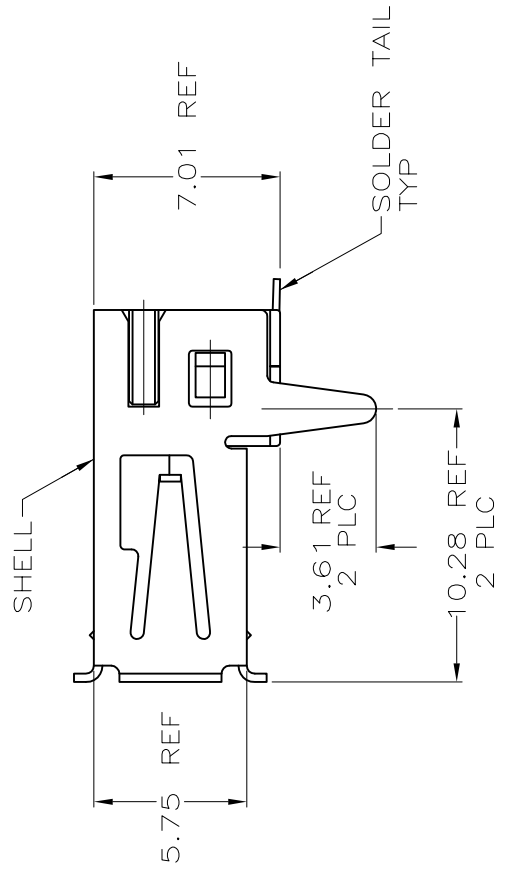
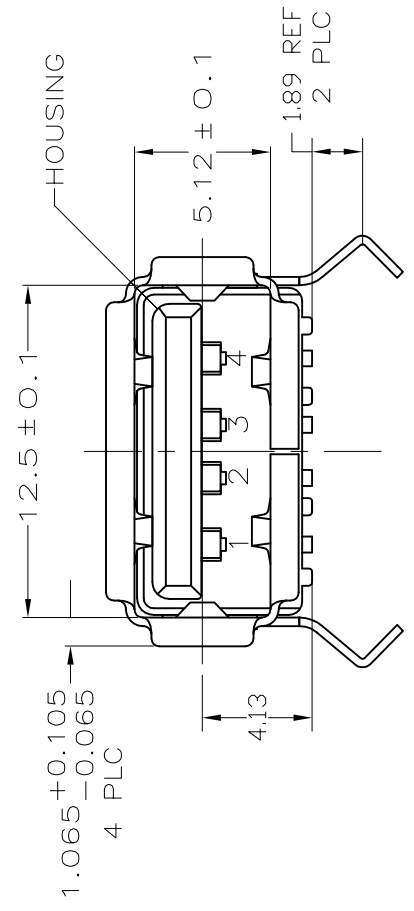
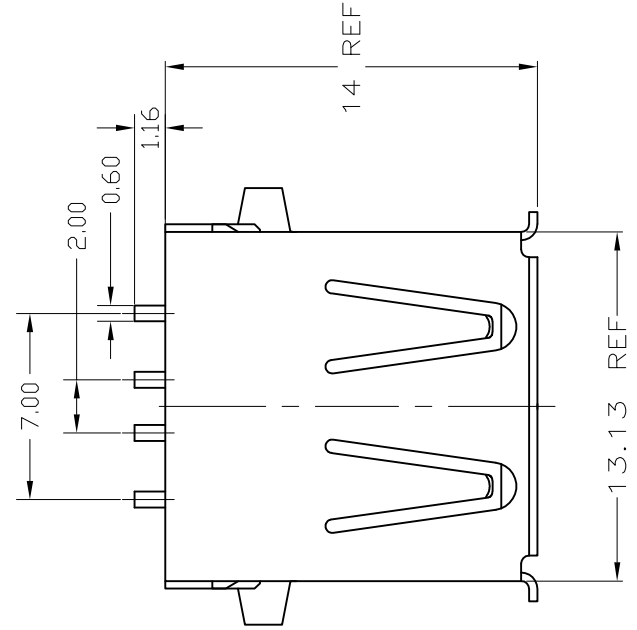
THIS DRAWING IS A CONTROLLED DOCUMENT

DIMENSIONS:		TOLERANCES UNLESS OTHERWISE SPECIFIED:	
mm		0 PLC	±
		1 PLC	±
		2 PLC	± 0.25
		3 PLC	±
		4 PLC	±
		5 PLC	±
		6 PLC	±
		7 PLC	±
		8 PLC	±
		9 PLC	±
		10 PLC	±
		11 PLC	±
		12 PLC	±
		13 PLC	±
		14 PLC	±
		15 PLC	±
		16 PLC	±
		17 PLC	±
		18 PLC	±
		19 PLC	±
		20 PLC	±
		21 PLC	±
		22 PLC	±
		23 PLC	±
		24 PLC	±
		25 PLC	±
		26 PLC	±
		27 PLC	±
		28 PLC	±
		29 PLC	±
		30 PLC	±
		31 PLC	±
		32 PLC	±
		33 PLC	±
		34 PLC	±
		35 PLC	±
		36 PLC	±
		37 PLC	±
		38 PLC	±
		39 PLC	±
		40 PLC	±
		41 PLC	±
		42 PLC	±
		43 PLC	±
		44 PLC	±
		45 PLC	±
		46 PLC	±
		47 PLC	±
		48 PLC	±
		49 PLC	±
		50 PLC	±
		51 PLC	±
		52 PLC	±
		53 PLC	±
		54 PLC	±
		55 PLC	±
		56 PLC	±
		57 PLC	±
		58 PLC	±
		59 PLC	±
		60 PLC	±
		61 PLC	±
		62 PLC	±
		63 PLC	±
		64 PLC	±
		65 PLC	±
		66 PLC	±
		67 PLC	±
		68 PLC	±
		69 PLC	±
		70 PLC	±
		71 PLC	±
		72 PLC	±
		73 PLC	±
		74 PLC	±
		75 PLC	±
		76 PLC	±
		77 PLC	±
		78 PLC	±
		79 PLC	±
		80 PLC	±
		81 PLC	±
		82 PLC	±
		83 PLC	±
		84 PLC	±
		85 PLC	±
		86 PLC	±
		87 PLC	±
		88 PLC	±
		89 PLC	±
		90 PLC	±
		91 PLC	±
		92 PLC	±
		93 PLC	±
		94 PLC	±
		95 PLC	±
		96 PLC	±
		97 PLC	±
		98 PLC	±
		99 PLC	±
		100 PLC	±
		101 PLC	±
		102 PLC	±
		103 PLC	±
		104 PLC	±
		105 PLC	±
		106 PLC	±
		107 PLC	±
		108 PLC	±
		109 PLC	±
		110 PLC	±
		111 PLC	±
		112 PLC	±
		113 PLC	±
		114 PLC	±
		115 PLC	±
		116 PLC	±
		117 PLC	±
		118 PLC	±
		119 PLC	±
		120 PLC	±
		121 PLC	±
		122 PLC	±
		123 PLC	±
		124 PLC	±
		125 PLC	±
		126 PLC	±
		127 PLC	±
		128 PLC	±
		129 PLC	±
		130 PLC	±
		131 PLC	±
		132 PLC	±
		133 PLC	±
		134 PLC	±
		135 PLC	±
		136 PLC	±
		137 PLC	±
		138 PLC	±
		139 PLC	±
		140 PLC	±
		141 PLC	±
		142 PLC	±
		143 PLC	±
		144 PLC	±
		145 PLC	±
		146 PLC	±
		147 PLC	±
		148 PLC	±
		149 PLC	±
		150 PLC	±
		151 PLC	±
		152 PLC	±
		153 PLC	±
		154 PLC	±
		155 PLC	±
		156 PLC	±
		157 PLC	±
		158 PLC	±
		159 PLC	±
		160 PLC	±
		161 PLC	±
		162 PLC	±
		163 PLC	±
		164 PLC	±
		165 PLC	±
		166 PLC	±
		167 PLC	±
		168 PLC	±
		169 PLC	±
		170 PLC	±
		171 PLC	±
		172 PLC	±
		173 PLC	±
		174 PLC	±
		175 PLC	±
		176 PLC	±
		177 PLC	±
		178 PLC	±
		179 PLC	±
		180 PLC	±
		181 PLC	±
		182 PLC	±
		183 PLC	±
		184 PLC	±
		185 PLC	±
		186 PLC	±
		187 PLC	±
		188 PLC	±
		189 PLC	±
		190 PLC	±
		191 PLC	±
		192 PLC	±
		193 PLC	±
		194 PLC	±
		195 PLC	±
		196 PLC	±
		197 PLC	±
		198 PLC	±
		199 PLC	±
		200 PLC	±
		201 PLC	±
		202 PLC	±
		203 PLC	±
		204 PLC	±
		205 PLC	±
		206 PLC	±
		207 PLC	±
		208 PLC	±
		209 PLC	±
		210 PLC	±
		211 PLC	±
		212 PLC	±
		213 PLC	±
		214 PLC	±
		215 PLC	±
		216 PLC	±
		217 PLC	±
		218 PLC	±
		219 PLC	±
		220 PLC	±
		221 PLC	±
		222 PLC	±
		223 PLC	±
		224 PLC	±
		225 PLC	±
		226 PLC	±
		227 PLC	±
		228 PLC	±
		229 PLC	±
		230 PLC	±
		231 PLC	±
		232 PLC	±
		233 PLC	±
		234 PLC	±
		235 PLC	±
		236 PLC	±
		237 PLC	±
		238 PLC	±
		239 PLC	±
		240 PLC	±
		241 PLC	±
		242 PLC	±
		243 PLC	±
		244 PLC	±
		245 PLC	±
		246 PLC	±
		247 PLC	±
		248 PLC	±
		249 PLC	±
		250 PLC	±
		251 PLC	±
		252 PLC	±
		253 PLC	±
		254 PLC	±
		255 PLC	±
		256 PLC	±
		257 PLC	±
		258 PLC	±
		259 PLC	±
		260 PLC	±
		261 PLC	±
		262 PLC	±
		263 PLC	±
		264 PLC	±
		265 PLC	±
		266 PLC	±
		267 PLC	±
		268 PLC	±
		269 PLC	±
		270 PLC	±
		271 PLC	±
		272 PLC	±
		273 PLC	±
		274 PLC	±
		275 PLC	±
		276 PLC	±
		277 PLC	±
		278 PLC	±
		279 PLC	±
		280 PLC	±
		281 PLC	±



- ① MATERIAL
- ② SHELL
- ③ CONTACTS
- ④ HOUSING
- ⑤ PLATING
- ⑥ CONTACTS
- ⑦ PALLADIUM
- ⑧ 3.8 μ
- ⑨ BOTH
- ⑩ CONTACTS
- ⑪ AREA,
- ⑫ OVER
- ⑬ SHELL
- ⑭ RECOMM

RECOMMENDED PC BOARD MOUNTING LAYOUT
(TOLERANCE=±0.05)



A

B

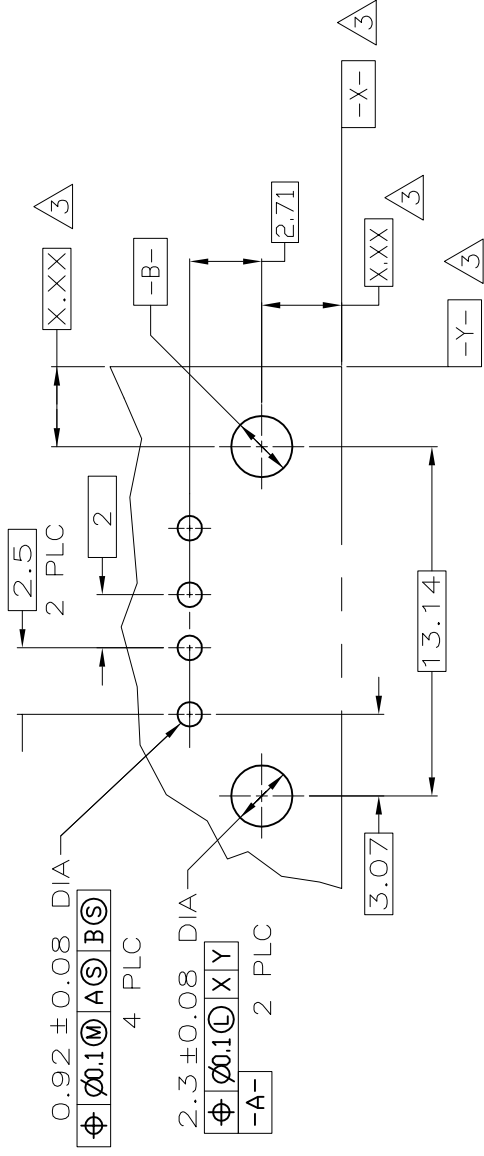
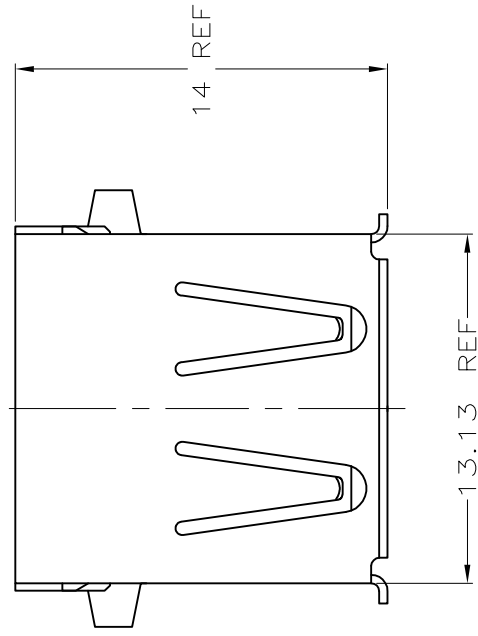
C

D

THIS DRAWING IS A CONTROLLED DOCUMENT

DIMENSIONS:		TOLERANCES UNLESS OTHERWISE SPECIFIED:	
mm		0 PLC	±
		1 PLC	±
		2 PLC	± 0.25
		3 PLC	±
		4 PLC	±
		ANGLES	±
MATERIAL		FINISH	±

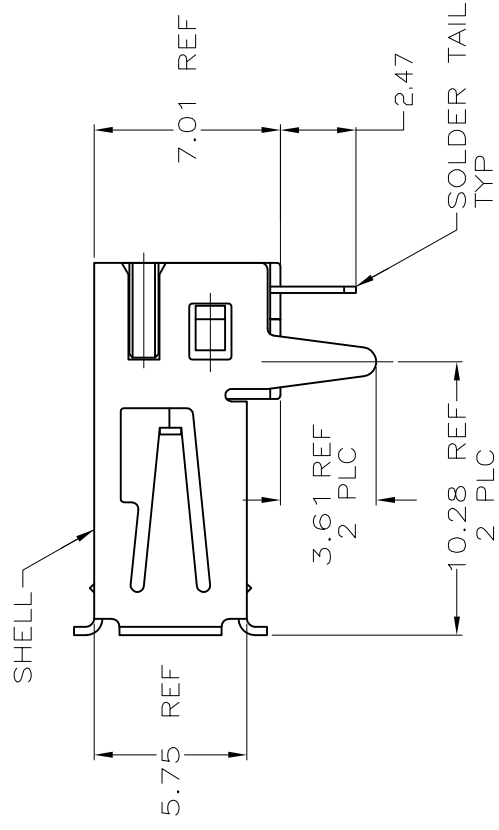
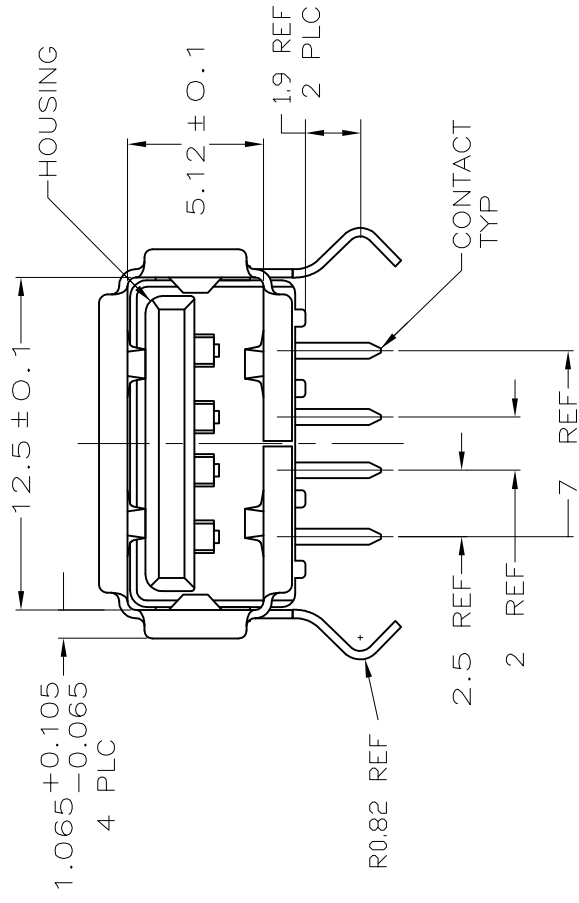
D



PC BOARD MOUNTING DIMENSIONS 4

- △ MATE
- ① SHE
- COI
- HOI
- PLAT
- CON
- PAL
- 3.6
- BOI
- COI
- ARR
- OVE
- SHI
- DATU
- RECO

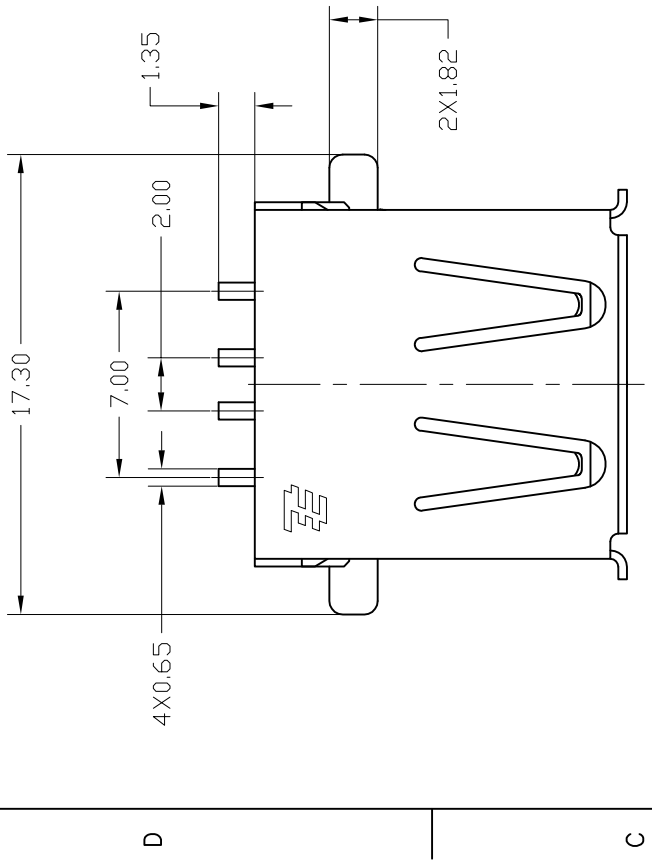
B



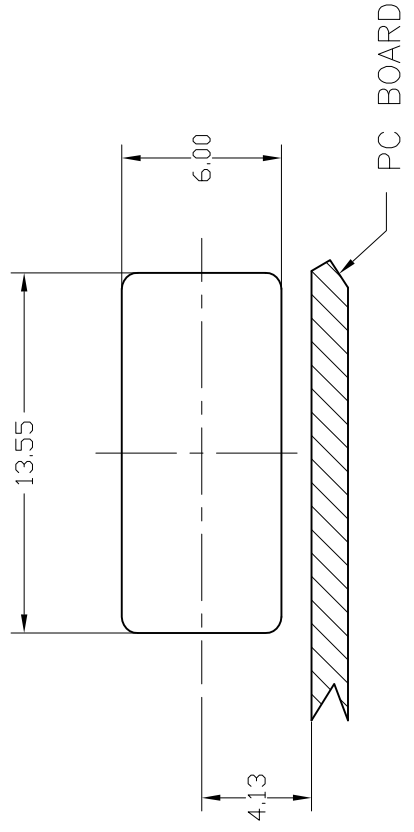
A

THIS DRAWING IS A CONTROLLED DOCUMENT

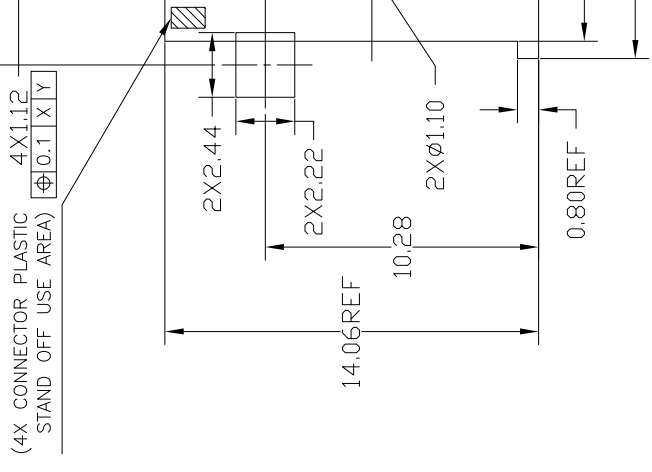
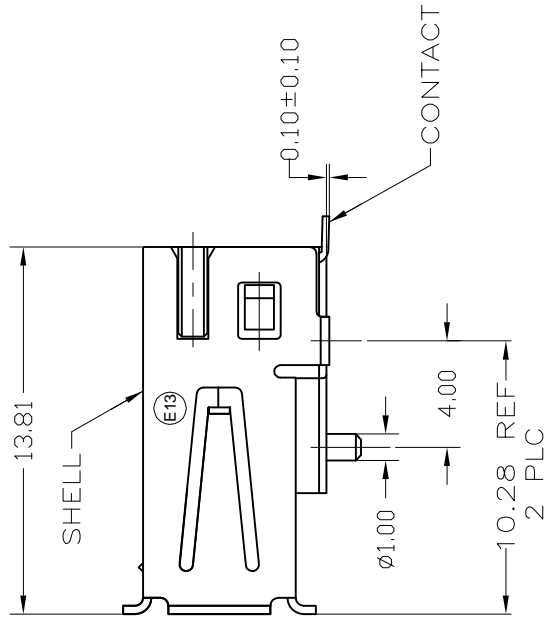
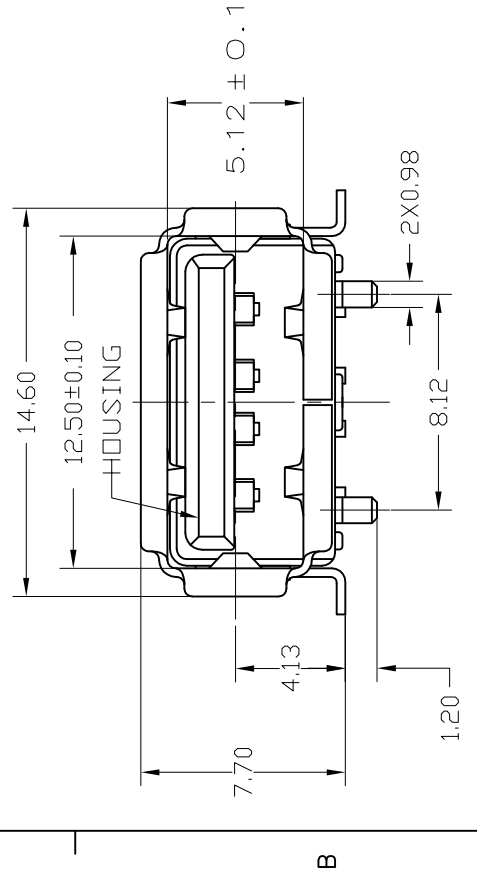
DIMENSIONS:		TOLERANCES UNLESS OTHERWISE SPECIFIED:	
mm		0 PLC	±
		1 PLC	±
		2 PLC	± 0.25
		3 PLC	±
		4 PLC	±
MATERIAL		ANGLES	±
		FINISH	±



- △ MATERIAL
- ① SHELL
- CONT
- HOUS
- PLATIN
- CONT
- PALL
- 3.8
- BOTH
- CON
- AREA
- OVER
- SHEL
- PANEL
- THIS



RECOMMENDED MOUNTING PANEL CUTOUT



RECOMMENDED PC BOARD

YES	BLACK	1-292303-6	PART NUMBER
YES	NATURAL	292303-9	
HIGH TEMPERATURE COMPATIBLE		HOUSING COLOR	

DIMENSIONS:		
mm		
0 PLC	±	
1 PLC	±	
2 PLC	± 0.25	
3 PLC	±	
4 PLC	±	
ANGLES		±
FINISH		△
MATERIAL		△

Looking for pricing, stock, or lifecycle information?

Click below to explore more details on WIN SOURCE:

[View 292303-4 on WIN SOURCE](#)

[TE Connectivity Information](#)

Optimize Your Supply Chain with WIN SOURCE Solutions

- ✓ Global Sourcing Solution
- ✓ Obsolete Management
- ✓ Cost Control Management
- ✓ Shortage Management
- ✓ Alternative Solution
- ✓ Excess Inventory Management