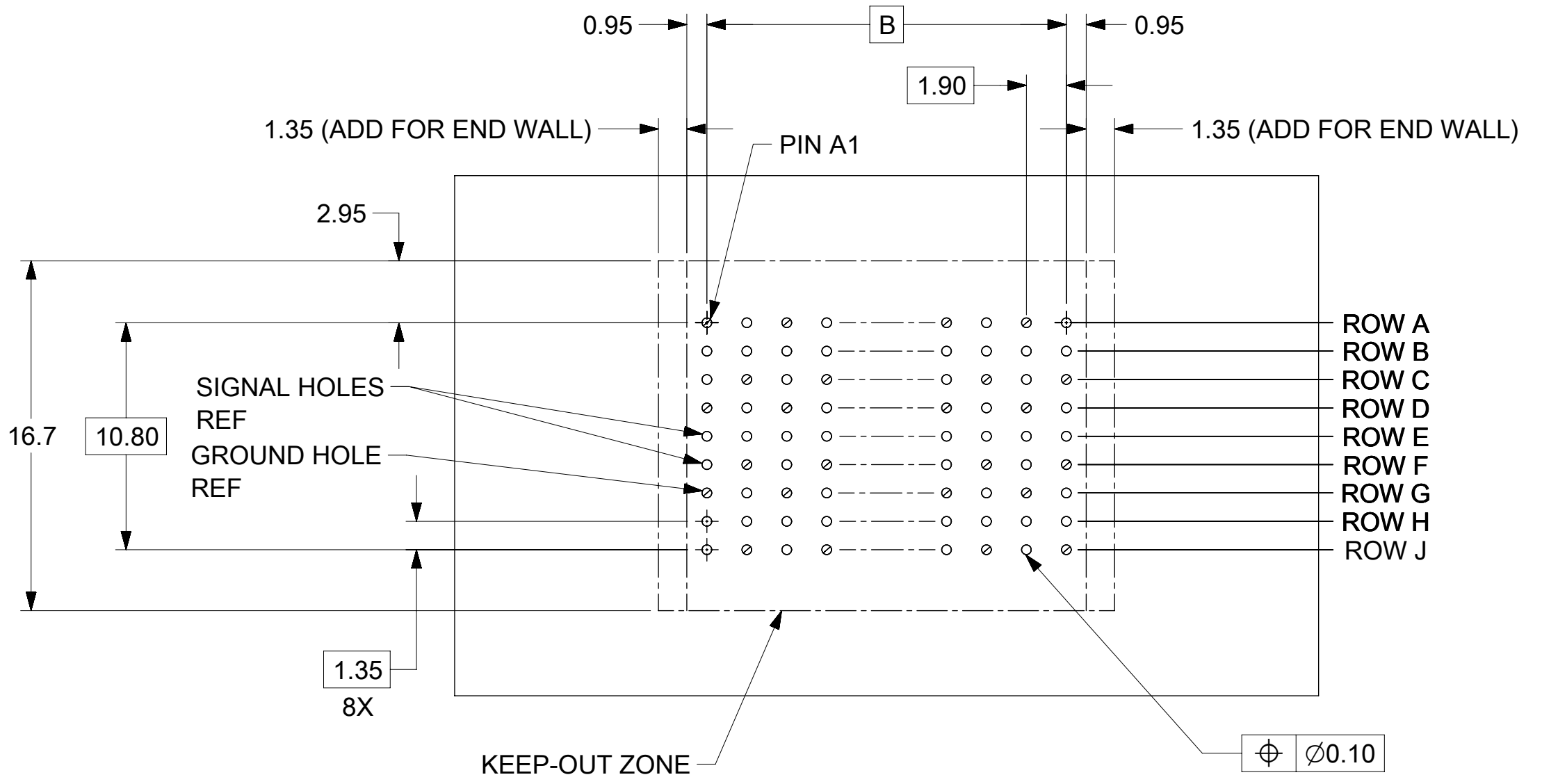
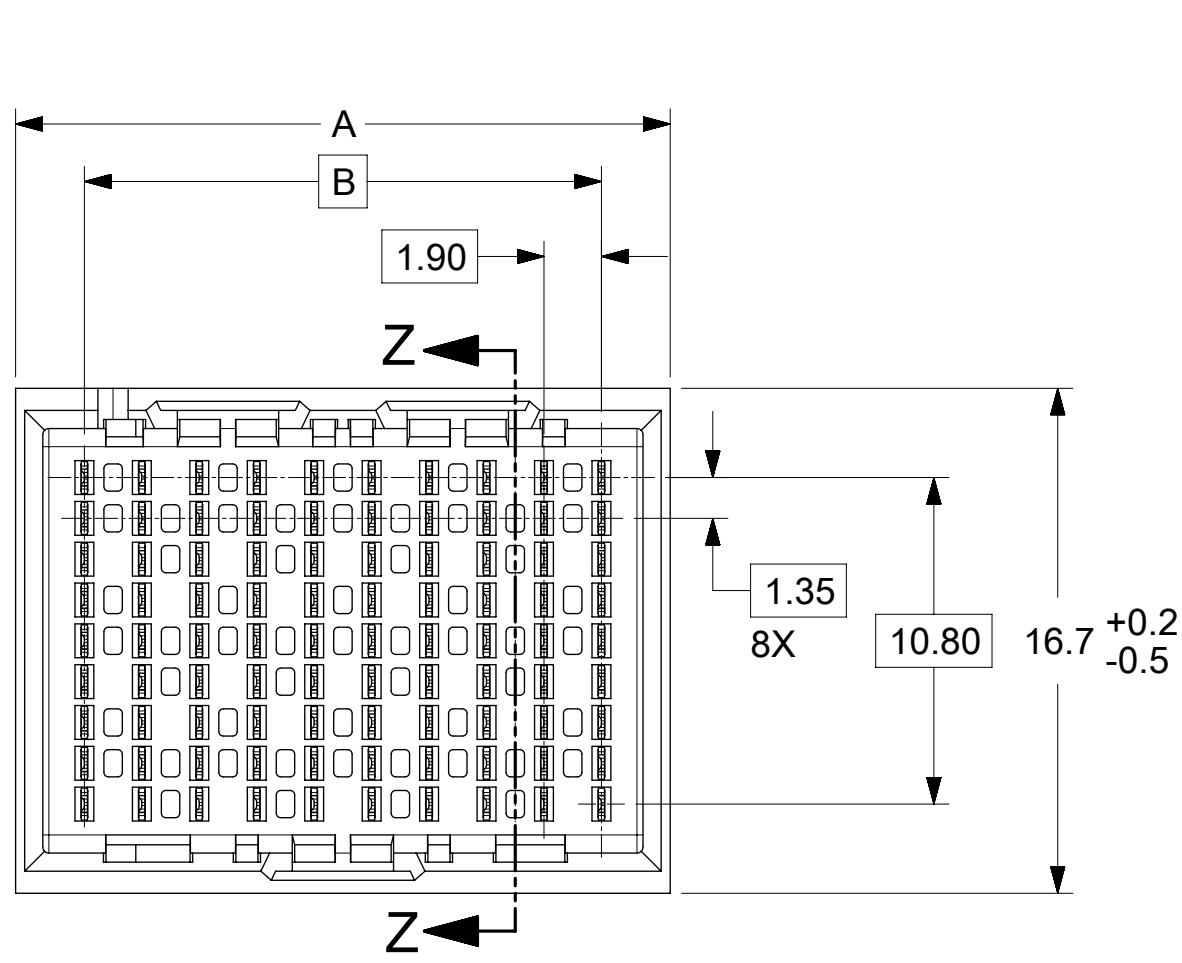




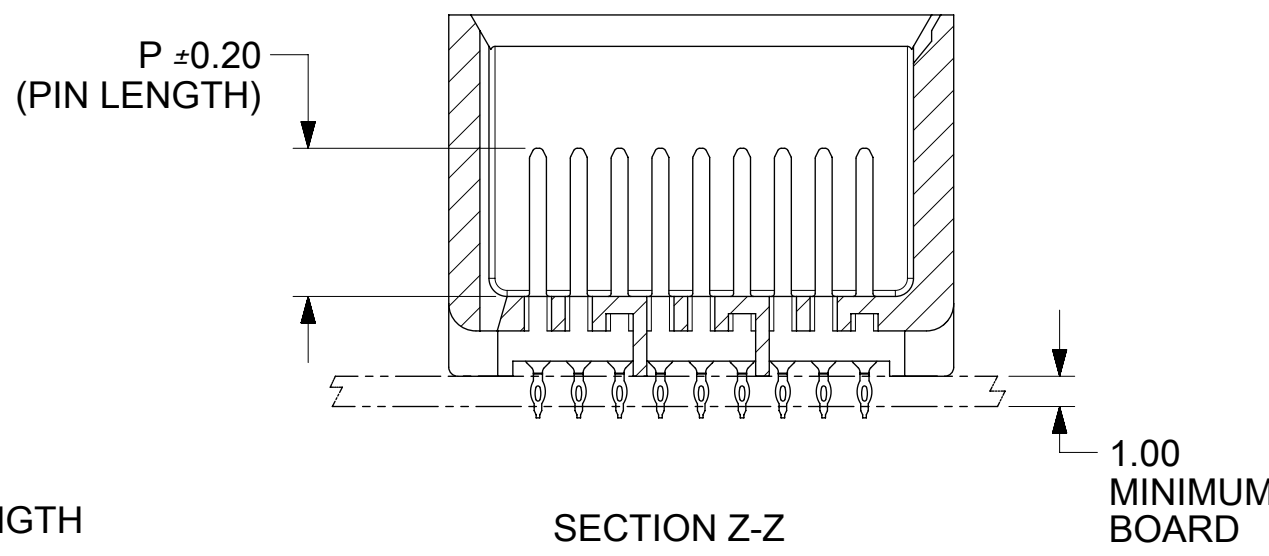
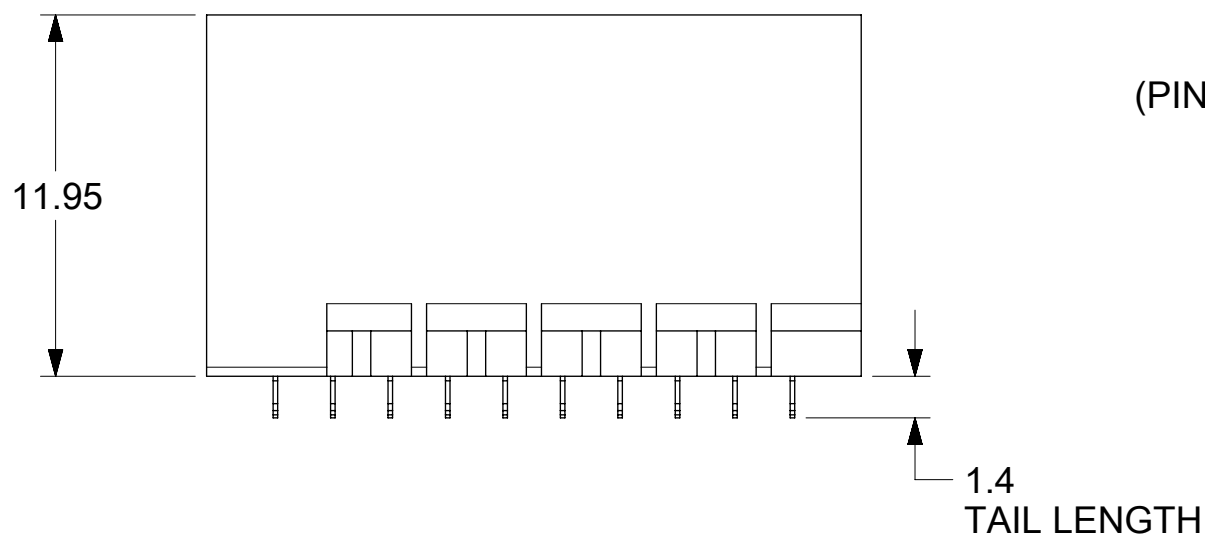
THE DATASHEET OF
1712921328



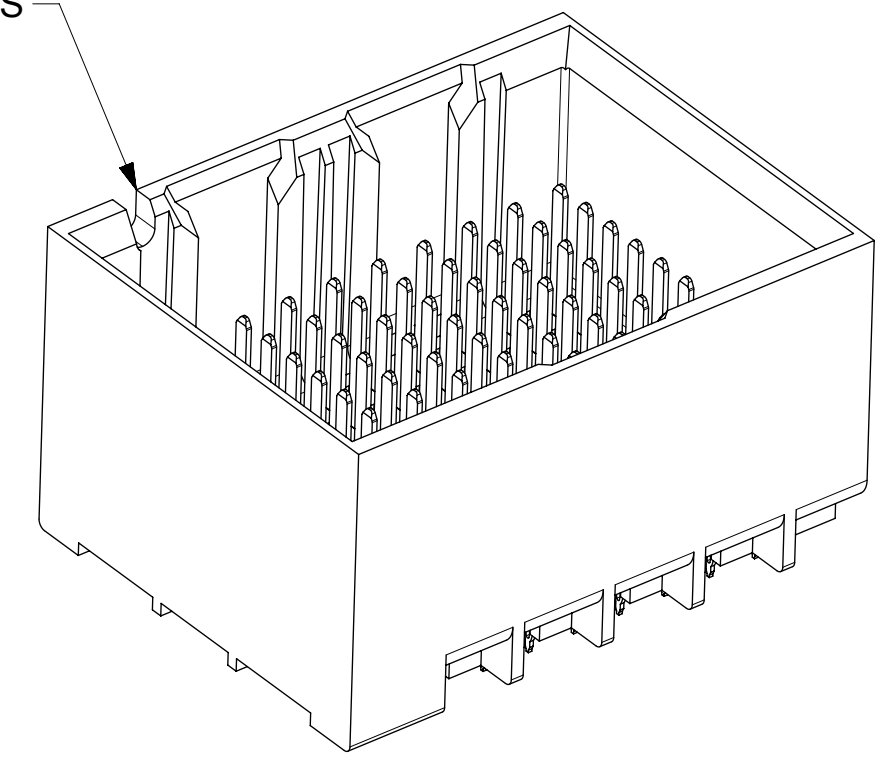


UNGUIDED
BACKPLANE HOLE PATTERN
(CONNECTOR SIDE)
SEE NOTE 9

SEE PART NUMBER CHART
AND
PART NUMBER LOGIC
(9 HOLES PER COLUMN)



NOTCH DESIGNATES
ROW A



- NOTES:
1. MATERIALS: HOUSING - LIQUID CRYSTAL POLYMER (LCP)
GLASS-FILLED, UL94V-0
TERMINALS - HIGH PERFORMANCE COPPER ALLOY
 2. FINISH: 10 μINCH MIN GOLD IN CONTACT AREA.
SELECTIVE MATE TIN ON PCB TAILS, NICKEL OVERALL.
 3. REFER TO MOLEX PRODUCT SPECIFICATION PS-76060-999 FOR PERFORMANCE SPECIFICATIONS AND ADDITIONAL PCB INFORMATION.
 4. THIS PART CONFORMS TO CLASS B REQUIREMENTS OF MOLEX COSMETIC SPEC PS-45499-002.
 5. PARTS PACKAGED PER PK-70873-7700.
 6. SEE SHEETS 2 & 3 FOR PART NUMBERS AND BOARD RELATIONSHIPS.
 7. MATES WITH IMPACT DC SERIES NO. 76170.
 8. REFER TO MOLEX PCB ROUTING GUIDE AS-76060-990 FOR ANTIPAD AND ROUTING RECOMMENDATIONS.
 9. "THESE DIMENSIONS REPRESENT THE AREA NEEDED TO ACCOMMODATE CONNECTOR INSERTION AND REPAIR ON THE PC BOARD. THIS IS REFERRED TO AS THE "CONNECTOR KEEP OUT ZONE" AND DOES NOT REPRESENT THE ACTUAL PERIMETER OF THE CONNECTOR. WHEN LAYING OUT A PC BOARD FOR CONNECTORS STACKED TOGETHER. USE A 1.9mm PROGRESSION."

QUALITY SYMBOLS		THIS DRAWING CONTAINS INFORMATION THAT IS PROPRIETARY TO MOLEX ELECTRONIC TECHNOLOGIES, LLC AND SHOULD NOT BE USED WITHOUT WRITTEN PERMISSION									
▽ = 0	▽ = 0	MIGRATED TO NX EC NO: 123283 DRWN: KUCHILA CHKD: KUCHILA REV / APPR: PRAMASWAMY	GENERAL TOLERANCES (UNLESS SPECIFIED)		DIMENSION UNITS		SCALE				
▽ = 0	▽ = 0		ANGULAR TOL ± 0.5 °		mm		4:1				
▽ = 0	▽ = 0		4 PLACES ±		DRWN BY		DATE		IMPACT 3 PAIR BACKPLANE UNGUIDED ASSEMBLY SALES DRAWING		
▽ = 0	▽ = 0		3 PLACES ±		JBINGHAM		2011/11/16				
▽ = 0	▽ = 0		2 PLACES ± 0.13		CHKD BY		DATE		PRODUCT CUSTOMER DRAWING		
▽ = 0	▽ = 0	1 PLACE ± 0.25		JLAURX		2011/11/16					
▽ = 0	▽ = 0	0 PLACES ±		APPR BY		DATE		SERIES: 171292 MATERIAL NUMBER: SEE CHART CUSTOMER: GENERAL MARKET			
▽ = 0	▽ = 0	DRAFT WHERE APPLICABLE MUST REMAIN WITHIN DIMENSIONS		JLAURX		2011/12/02					
▽ = 0	▽ = 0	A2		DRAWING SIZE		THIRD ANGLE PROJECTION		DOCUMENT NUMBER: SD-171292-0001 DOC TYPE: PSD DOC PART: 001 SHEET NUMBER: 1 OF 3			
		C		C		C					

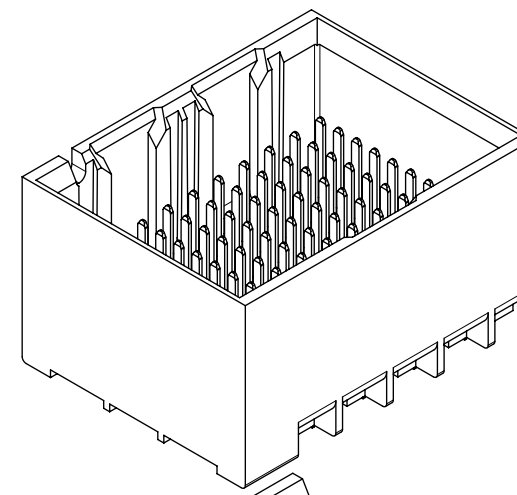
PART NUMBER CHART

MATERIAL NUMBER	# OF COLUMNS	# OF DIFF PAIR	DIM "A"	DIM "B"	DUAL END WALL OPTION
171292-132*	6	18	14.1	9.50	
171292-182*	8	24	17.9	13.30	
171292-112*	10	30	21.7	17.10	
171292-162*	16	48	33.1	28.50	

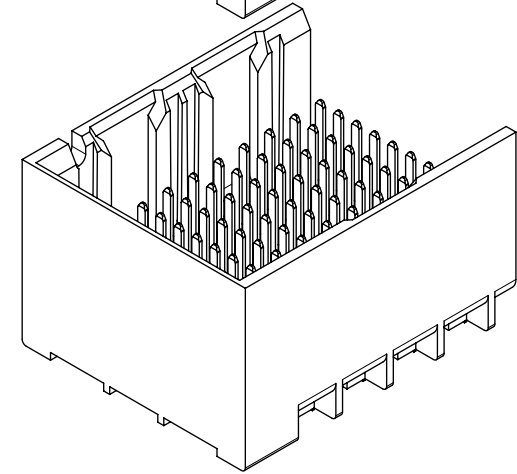
MATERIAL NUMBER	# OF COLUMNS	# OF DIFF PAIR	DIM "A"	DIM "B"	LEFT END WALL OPTION
171292-181*	8	24	16.5	13.30	
171292-111*	10	30	20.3	17.10	
171292-161*	16	48	31.7	28.50	

MATERIAL NUMBER	# OF COLUMNS	# OF DIFF PAIR	DIM "A"	DIM "B"	RIGHT END WALL OPTION
171292-183*	8	24	16.5	13.30	
171292-113*	10	30	20.3	17.10	
171292-163*	16	48	31.7	28.50	

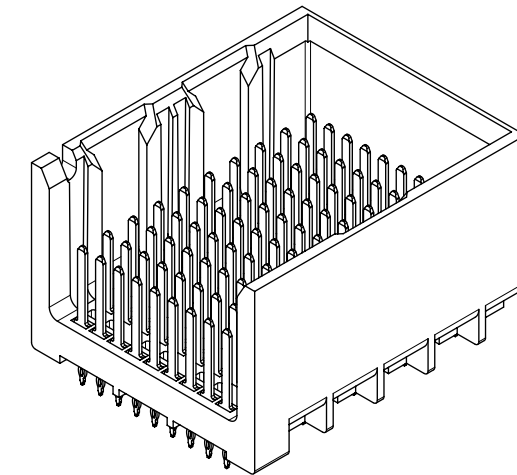
MATERIAL NUMBER	# OF COLUMNS	# OF DIFF PAIR	DIM "A"	DIM "B"	OPEN WALL OPTION
171292-180*	8	24	15.1	13.30	
171292-110*	10	30	18.9	17.10	
171292-160*	18	48	30.4	28.50	



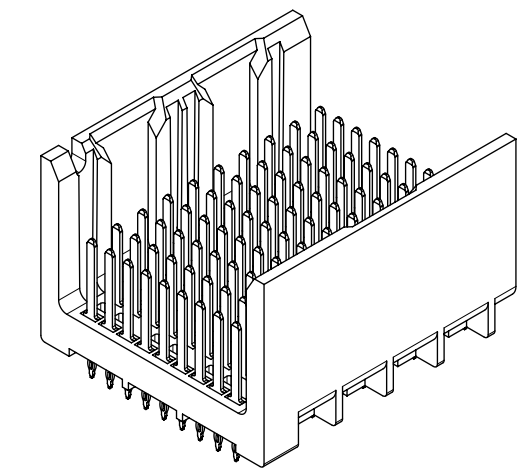
DUAL END
WALL OPTION



LEFT END
WALL OPTION



RIGHT END
WALL OPTION



OPEN
WALL OPTION

PART NUMBER LOGIC

171292- * * * *

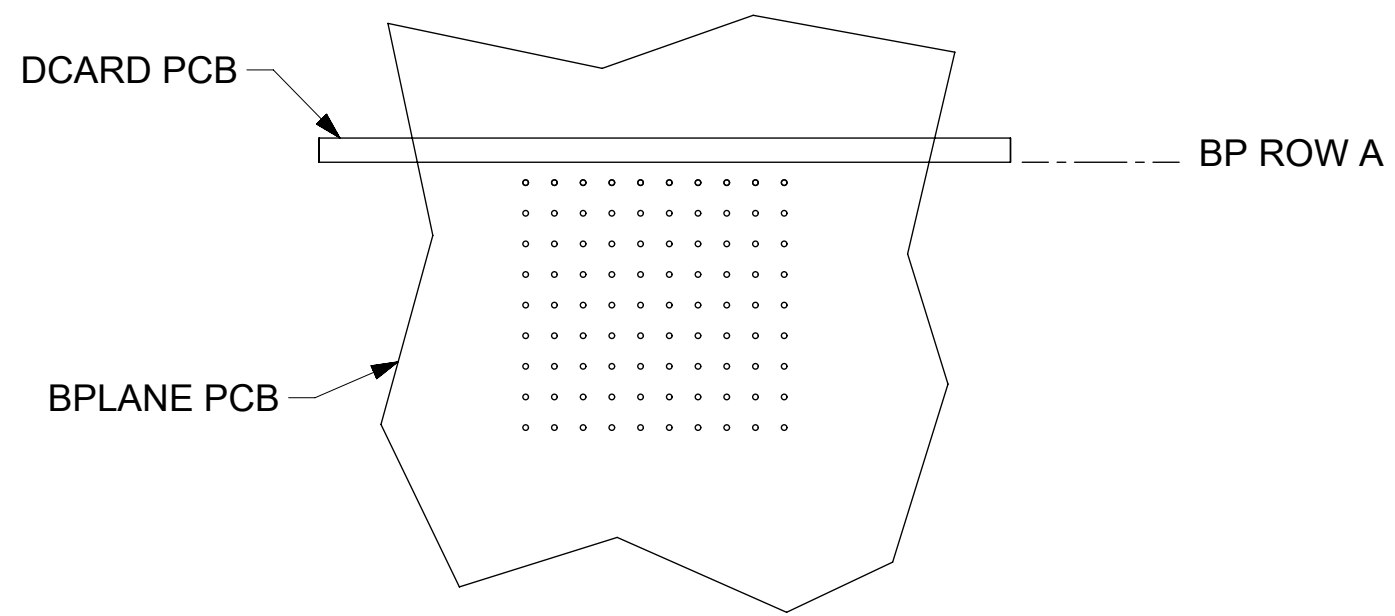
MODULE TYPE
1 = UNGUIDED, MATTE TIN

OF COLUMNS
1 = 10 COL
3 = 6 COL
6 = 16 COL
8 = 8 COL

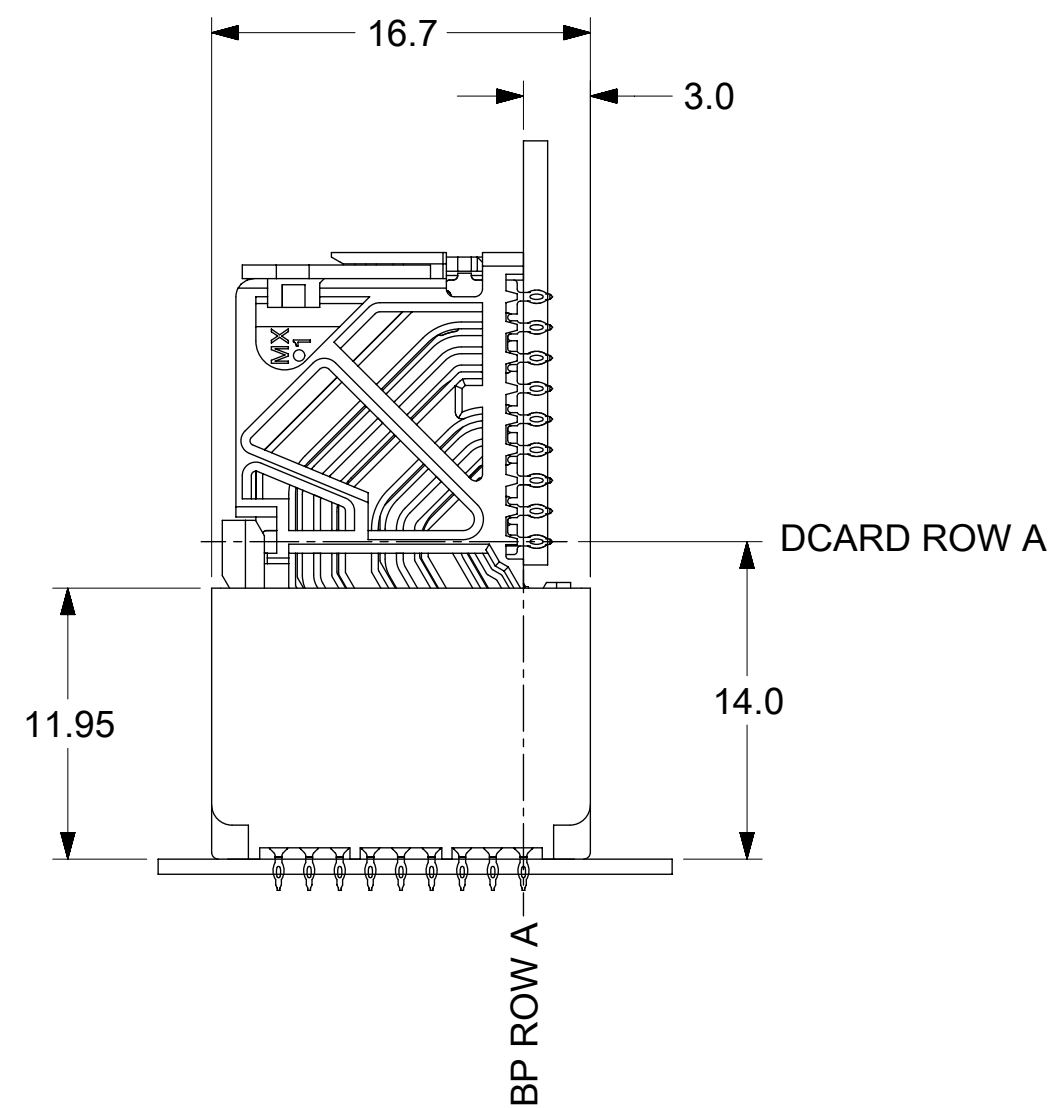
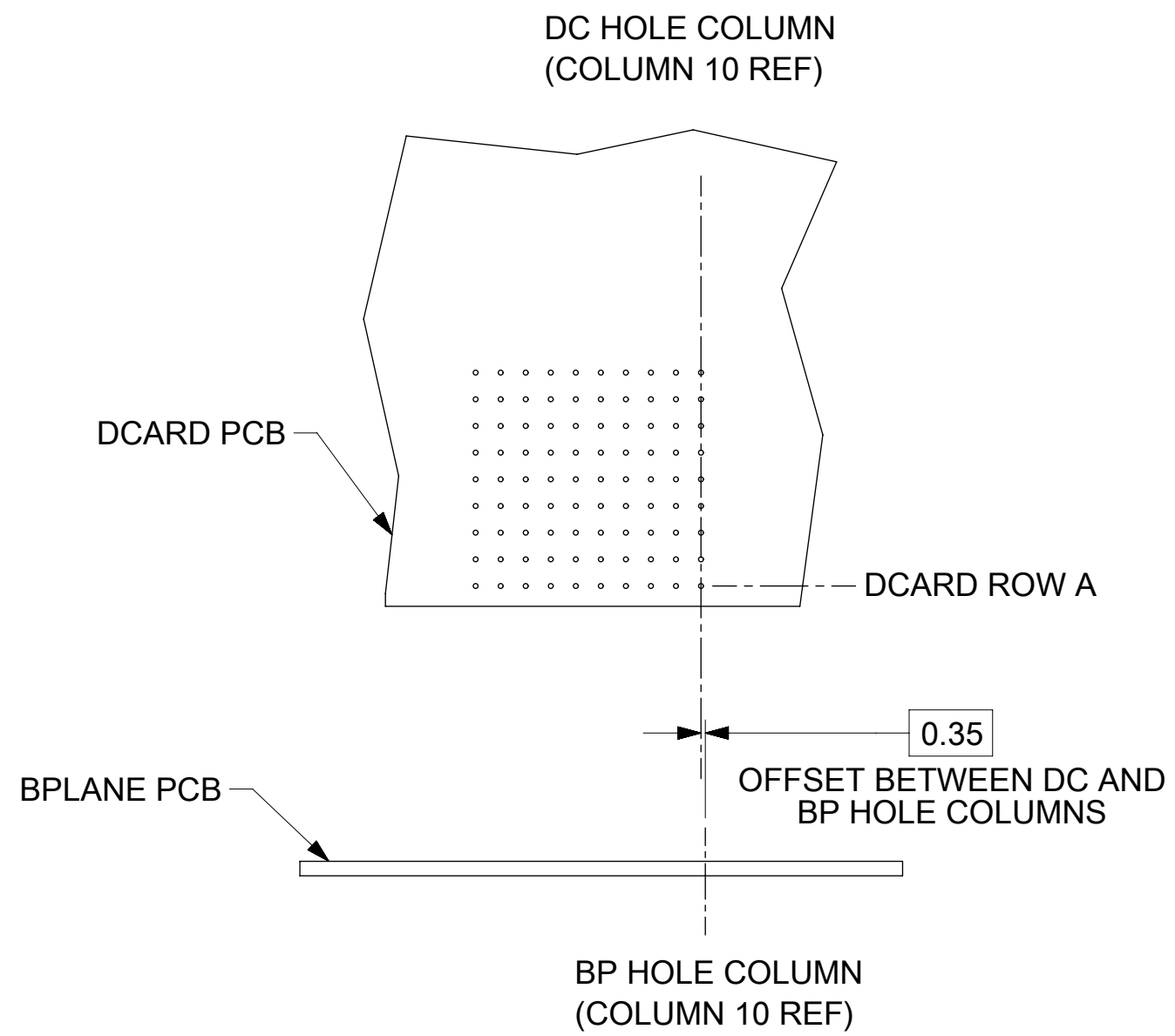
PIN LENGTH (P)
3 = 4.50 (SHORT COMPLIANT, 0.46±0.05 PTH)
4 = 4.90 (SHORT COMPLIANT, 0.46±0.05 PTH)
5 = 5.50 (SHORT COMPLIANT, 0.46±0.05 PTH)
6 = 4.50 (MICRO COMPLIANT, 0.39±0.05 PTH)
7 = 4.90 (MICRO COMPLIANT, 0.39±0.05 PTH)
8 = 5.50 (MICRO COMPLIANT, 0.39±0.05 PTH)

END WALL OPTIONS
0 = OPEN ENDS
1 = LEFT END WALL
2 = DUAL END WALL
3 = RIGHT END WALL

QUALITY SYMBOLS	THIS DRAWING CONTAINS INFORMATION THAT IS PROPRIETARY TO MOLEX ELECTRONIC TECHNOLOGIES, LLC AND SHOULD NOT BE USED WITHOUT WRITTEN PERMISSION										
▽ = 0	EC NO: 123283 DRWN: KUCHILA CHKD: KUCHILA APPR: PRAMASWAMY MIGRATED TO NX 2017/10/13 2017/10/13 2017/10/18	GENERAL TOLERANCES (UNLESS SPECIFIED)		DIMENSION UNITS	SCALE						
▽ = 0		ANGULAR TOL ± 0.5 °		mm	2.5:1						
▽ = 0		4 PLACES ±		DRWN BY	DATE	IMPACT 3 PAIR BACKPLANE UNGUIDED ASSEMBLY SALES DRAWING					
▽ = 0		3 PLACES ±		JBINGHAM	2011/11/16						
▽ = 0		2 PLACES ± 0.13		CHKD BY	DATE						
▽ = 0		1 PLACE ± 0.25		JLAURX	2011/11/16						
▽ = 0		0 PLACES ±		APPR BY	DATE	PRODUCT CUSTOMER DRAWING					
▽ = 0		DRAFT WHERE APPLICABLE MUST REMAIN WITHIN DIMENSIONS		JLAURX	2011/12/02						
▽ = 0		DRAWING SIZE		THIRD ANGLE PROJECTION	SERIES		MATERIAL NUMBER	CUSTOMER		SHEET NUMBER	
▽ = 0		C			171292		SEE CHART	GENERAL MARKET		2 OF 3	
▽ = 0	A2		SD-171292-0001		DOC TYPE	DOC PART	PSD 001				



**IMPACT 3 PAIR
BOARD RELATIONSHIPS**



QUALITY SYMBOLS		THIS DRAWING CONTAINS INFORMATION THAT IS PROPRIETARY TO MOLEX ELECTRONIC TECHNOLOGIES, LLC AND SHOULD NOT BE USED WITHOUT WRITTEN PERMISSION									
▽ = 0	▽ = 0	MIGRATED TO NX EC NO: 123283 DRWN: KUCHILA CHKD: KUCHILA REV APPR: PRAMASWAMY	GENERAL TOLERANCES (UNLESS SPECIFIED)			DIMENSION UNITS	SCALE	molex			
▽ = 0	▽ = 0		ANGULAR TOL ± 0.5 °			mm	1:1				
▽ = 0	▽ = 0		4 PLACES ±			DRWN BY	DATE	IMPACT 3 PAIR BACKPLANE UNGUIDED ASSEMBLY SALES DRAWING			
▽ = 0	▽ = 0		3 PLACES ±			JBINGHAM	2011/11/16				
▽ = 0	▽ = 0		2 PLACES ± 0.13			CHKD BY	DATE	PRODUCT CUSTOMER DRAWING			
▽ = 0	▽ = 0		1 PLACE ± 0.25			JLAURX	2011/11/16				
▽ = 0	▽ = 0	0 PLACES ±			APPR BY	DATE	SERIES	MATERIAL NUMBER	CUSTOMER		
□ = 0	■ = 0	DRAFT WHERE APPLICABLE MUST REMAIN WITHIN DIMENSIONS			JLAURX	2011/12/02	171292	SEE CHART	GENERAL MARKET		
▽ = 0		A2			DRAWING SIZE	THIRD ANGLE PROJECTION	DOCUMENT NUMBER		DOC TYPE	DOC PART	SHEET NUMBER
					C		SD-171292-0001		PSD	001	3 OF 3

Looking for pricing, stock, or lifecycle information?

Click below to explore more details on WIN SOURCE:

 [View 1712921328 on WIN SOURCE](#)

 [Molex, LLC Information](#)

Optimize Your Supply Chain with WIN SOURCE Solutions

-  Global Sourcing Solution
-  Obsolete Management
-  Cost Control Management
-  Shortage Management
-  Alternative Solution
-  Excess Inventory Management