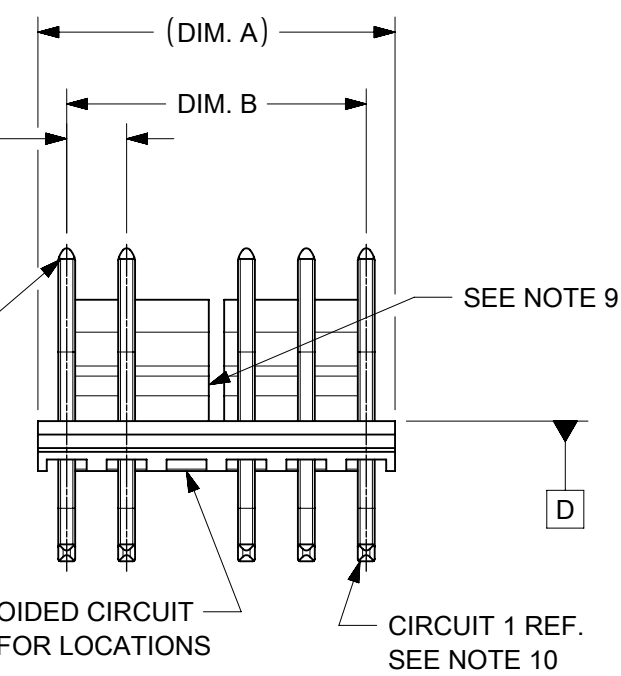
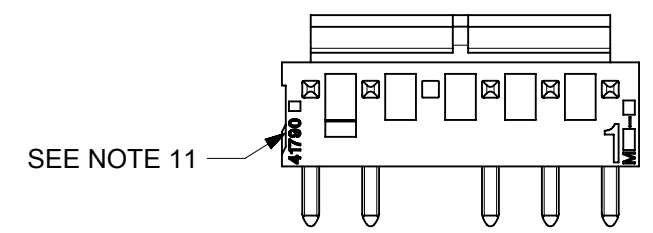
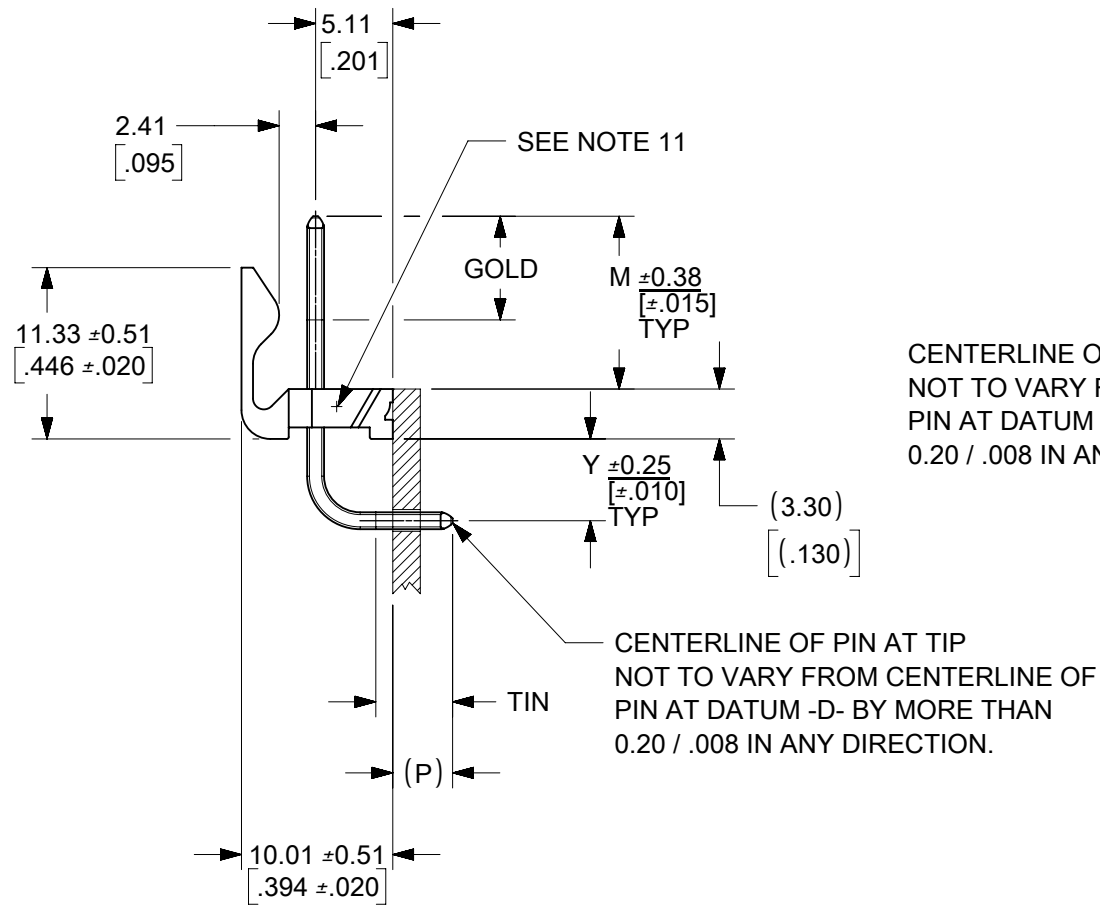
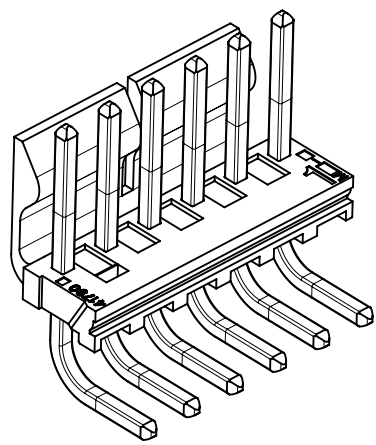




**THE DATASHEET OF**  
**26605030**

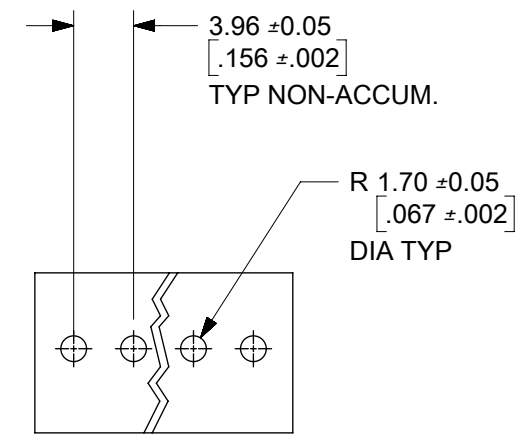




CKT	DIM. A	DIM. B	SLOT LOC BETWEEN CKTS
2	7.77 .306	3.96±0.05 .156±.002	NONE
3	11.73 .462	7.92±0.08 .312±.003	NONE
4	15.70 .618	11.89±0.08 .468±.003	NONE
5	19.66 .774	15.85±0.10 .624±.004	NONE
6	23.62 .930	19.81±0.10 .780±.004	3 & 4
7	27.58 1.086	23.77±0.10 .936±.004	4 & 5
8	31.55 1.242	27.74±0.13 1.092±.005	4 & 5
9	35.51 1.398	31.70±0.13 1.248±.005	5 & 6
10	39.47 1.554	35.66±0.13 1.404±.005	5 & 6
11	43.43 1.710	39.62±0.15 1.560±.006	6 & 7
12	47.40 1.866	43.59±0.15 1.716±.006	4 & 5 8 & 9
13	51.36 2.022	47.55±0.15 1.872±.006	4 & 5 9 & 10
14	55.32 2.178	51.51±0.18 2.028±.007	5 & 6 9 & 10
15	59.28 2.334	55.47±0.18 2.184±.007	5 & 6 10 & 11
16	63.25 2.490	59.44±0.18 2.340±.007	5 & 6 11 & 12
17	67.21 2.646	63.40±0.20 2.496±.008	6 & 7 11 & 12
18	71.17 2.802	67.36±0.20 2.652±.008	6 & 7 12 & 13

CENTERLINE OF PIN AT TIP  
NOT TO VARY FROM CENTERLINE OF  
PIN AT DATUM -D- BY MORE THAN  
0.20 / .008 IN ANY DIRECTION.

- NOTES:
- MATERIAL: HEADER-GLASS FILLED POLYESTER, 94V-0, MOLDED NATURAL (WHITE).
  - FINISH: (197) OVERALL REFLOWED MATTE TIN: 0.00152/.000060 MIN. OVER 0.00127/.000050 MIN. NICKEL OVERALL.  
(154) OVERALL TIN: .00254/.000100 MIN OVER .00127/.000050 MIN NICKEL.  
(208) SELECT GOLD: .00038/.000015 MIN, SELECT TIN: .00254/.000100 MIN, OVERALL NICKEL UNDERPLATE: .00127/.000050 MIN.  
(228) SELECT GOLD: .00076/.000030 MIN, SELECT TIN: .00254/.000100 MIN, OVERALL NICKEL UNDERPLATE: .00127/.000050 MIN.  
(241) SELECT GOLD: 0.00051/.000020 MIN. SELECT TIN: 0.00254/.000100 MIN. OVERALL NICKEL UNDERPLATE: 0.00127/.000050 MIN.  
FOR ADDITIONAL PLATING INFO, SEE SDES-88.
  - PRODUCT SPECIFICATION AND PROCESS PARAMETERS: SEE PS-08-50.
  - PACKAGING INFORMATION: SEE CHART
  - SOLDERABILITY: PER SMES-152.
  - PIN PUSH-OUT FORCE: PRIOR TO SOLDERING, A 3 LB. MINIMUM FORCE (IN EITHER DIRECTION)
  - PARTS ARE STACKABLE END TO END ON 3.96/.156 CENTERS.
  - THIS PART CONFORMS TO CLASS B REQUIREMENTS OF COSMETIC SPECIFICATION PS-45499-002.
  - SLOTS ON BACKWALL ARE BETWEEN CIRCUITS. SEE CHART FOR LOCATION.
  - CIRCUIT 1 DESIGNATION IS USED TO DEFINE VOID LOCATION. CIRCUIT 1 MAY OR MAY NOT LINE UP WITH CIRCUIT 1 ON THE MATING HOUSING.
  - FEATURE MAY BE ON EITHER SIDE OF THE PART



SYMBOLS		THIS DRAWING CONTAINS INFORMATION THAT IS PROPRIETARY TO MOLEX ELECTRONIC TECHNOLOGIES, LLC AND SHOULD NOT BE USED WITHOUT WRITTEN PERMISSION		CURRENT REV DESC: NOTE 11 ADDED	
▽ = 0	mm/in	SCALE		molex	
▽ = 0	GENERAL TOLERANCES (UNLESS SPECIFIED)		EC NO: 620875		KK .156 HEADER ASSEMBLY FRICTION LOCK RIGHT ANGLE W/O PEGS
▽ = 0			DRWN: KSUTAR 2019/07/18		
▽ = 0	4 PLACES ±		CHK'D: ISHWARG 2019/07/18		PRODUCT CUSTOMER DRAWING
▽ = 0	3 PLACES ±		APPR: ISHWARG 2019/07/18		
▽ = 0	2 PLACES ± 0.25 ± 0.015		INITIAL REVISION:		DOCUMENT NUMBER
▽ = 0	1 PLACE ± 0.38 ±		DRWN: JSCHAFFER 11-07-03		
▽ = 0	0 PLACES ±		APPR: MARGULIS 11-17-03		SDA-41792
▽ = 0	ANGULAR TOL ± 0.5°		DRAFT WHERE APPLICABLE MUST REMAIN WITHIN DIMENSIONS		
▽ = 0	THIRD ANGLE PROJECTION		DRAWING		DOC TYPE
▽ = 0	B-SIZE		SERIES		DOC PART
		41792		REVISION	
		SEE CHART		GENERAL MARKET	
		CUSTOMER		SHEET NUMBER	
		1 OF 8			

10	9	8	7	6	5	4	3	2	1																																																																																																				
									41792																																																																																																				
F	E	D	C	B	A	OPTIONS	Group	A-41792-0002/0018	Group	A-41792-0511/0527	Group	A-41792-0528/0544	Group	A-41792-0562/0578																																																																																															
							Header No:	41790-0002/0018	Header No:	41790-0002/0018	Header No:	41790-0002/0018	Header No:	41790-0002/0018																																																																																															
							Pin No:	43294-0572	Pin No:	43294-0569	Pin No:	43294-0570	Pin No:	43294-0570																																																																																															
							Plating:	197 - TIN	Plating:	208 - 15 GOLD	Plating:	228 - 30 GOLD	Plating:	228 - 30 GOLD																																																																																															
							Pin Length L	27.94 / 1.100	Pin Length L	27.94 / 1.100	Pin Length L	27.94 / 1.100	Pin Length L	27.94 / 1.100																																																																																															
							Mating M	11.43 / .450	Mating M	11.43 / .450	Mating M	11.43 / .450	Mating M	11.43 / .450																																																																																															
							Gold Loc G	N/A	Gold Loc G	6.86/ .270	Gold Loc G	6.86/ .270	Gold Loc G	6.86/ .270																																																																																															
							Height Y	5.41 / .213	Height Y	5.41 / .213	Height Y	5.41 / .213	Height Y	5.41 / .213																																																																																															
							PC Tail P	3.96/ .156	PC Tail P	3.96/ .156	PC Tail P	3.96/ .156	PC Tail P	3.96/ .156																																																																																															
							Tin Loc T	OVERALL	Tin Loc T	5.08/ .200	Tin Loc T	5.08/ .200	Tin Loc T	5.08/ .200																																																																																															
							Voided Ckts	NONE	Voided Ckts	NONE	Voided Ckts	NONE	Voided Ckts	2																																																																																															
							Pack Per	PK-41792-002	Pack Per	PK-41792-002	Pack Per	PK-41792-002	Pack Per	PK-41792-002																																																																																															
							Ckts	Material No	Engineer Number	Material No	Engineer Number	Material No	Engineer Number	Material No	Engineer Number																																																																																														
							2	26-60-5020	A-41792-0002	41792-0511	A-41792-0511	41792-0528	A-41792-0528	41792-0562	A-41792-0562																																																																																														
							3	26-60-5030	A-41792-0003	41792-0512	A-41792-0512	41792-0529	A-41792-0529	41792-0563	A-41792-0563																																																																																														
							4	26-60-5040	A-41792-0004	41792-0513	A-41792-0513	41792-0530	A-41792-0530	41792-0564	A-41792-0564																																																																																														
							5	26-60-5050	A-41792-0005	41792-0514	A-41792-0514	41792-0531	A-41792-0531	41792-0565	A-41792-0565																																																																																														
							6	26-60-5060	A-41792-0006	41792-0515	A-41792-0515	41792-0532	A-41792-0532	41792-0566	A-41792-0566																																																																																														
7	26-60-5070	A-41792-0007	41792-0516	A-41792-0516	41792-0533	A-41792-0533	41792-0567	A-41792-0567																																																																																																					
8	26-60-5080	A-41792-0008	41792-0517	A-41792-0517	41792-0534	A-41792-0534	41792-0568	A-41792-0568																																																																																																					
9	26-60-5090	A-41792-0009	41792-0518	A-41792-0518	41792-0535	A-41792-0535	41792-0569	A-41792-0569																																																																																																					
10	26-60-5100	A-41792-0010	41792-0519	A-41792-0519	41792-0536	A-41792-0536	41792-0570	A-41792-0570																																																																																																					
11	26-60-5110	A-41792-0011	41792-0520	A-41792-0520	41792-0537	A-41792-0537	41792-0571	A-41792-0571																																																																																																					
12	26-60-5120	A-41792-0012	41792-0521	A-41792-0521	41792-0538	A-41792-0538	41792-0572	A-41792-0572																																																																																																					
13	26-60-5130	A-41792-0013	41792-0522	A-41792-0522	41792-0539	A-41792-0539	41792-0573	A-41792-0573																																																																																																					
14	26-60-5140	A-41792-0014	41792-0523	A-41792-0523	41792-0540	A-41792-0540	41792-0574	A-41792-0574																																																																																																					
15	26-60-5150	A-41792-0015	41792-0524	A-41792-0524	41792-0541	A-41792-0541	41792-0575	A-41792-0575																																																																																																					
16	26-60-5160	A-41792-0016	41792-0525	A-41792-0525	41792-0542	A-41792-0542	41792-0576	A-41792-0576																																																																																																					
17	26-60-5170	A-41792-0017	41792-0526	A-41792-0526	41792-0543	A-41792-0543	41792-0577	A-41792-0577																																																																																																					
18	26-60-5180	A-41792-0018	41792-0527	A-41792-0527	41792-0544	A-41792-0544	41792-0578	A-41792-0578																																																																																																					
						<table border="1"> <tr> <td>SYMBOLS</td> <td colspan="2">THIS DRAWING CONTAINS INFORMATION THAT IS PROPRIETARY TO MOLEX ELECTRONIC TECHNOLOGIES, LLC AND SHOULD NOT BE USED WITHOUT WRITTEN PERMISSION</td> </tr> <tr> <td>▽ = 0</td> <td>DIMENSION UNITS</td> <td>SCALE</td> </tr> <tr> <td>▽ = 0</td> <td>mm/in</td> <td></td> </tr> <tr> <td>▽ = 0</td> <td colspan="2">GENERAL TOLERANCES (UNLESS SPECIFIED)</td> </tr> <tr> <td>▽ = 0</td> <td></td> <td></td> </tr> <tr> <td>▽ = 0</td> <td>4 PLACES ±</td> <td>±</td> </tr> <tr> <td>▽ = 0</td> <td>3 PLACES ±</td> <td>± 0.01</td> </tr> <tr> <td>▽ = 0</td> <td>2 PLACES ±</td> <td>± 0.015</td> </tr> <tr> <td>▽ = 0</td> <td>1 PLACE ±</td> <td>± 0.38</td> </tr> <tr> <td>▽ = 0</td> <td>0 PLACES ±</td> <td>±</td> </tr> <tr> <td>□ = 0</td> <td colspan="2">ANGULAR TOL ± 0.5°</td> </tr> <tr> <td>■ = 0</td> <td colspan="2">DRAFT WHERE APPLICABLE MUST REMAIN WITHIN DIMENSIONS</td> </tr> <tr> <td>▽ = 0</td> <td>THIRD ANGLE PROJECTION</td> <td>DRAWING</td> </tr> <tr> <td></td> <td></td> <td>SERIES</td> </tr> <tr> <td></td> <td></td> <td>MATERIAL NUMBER</td> </tr> <tr> <td></td> <td></td> <td>CUSTOMER</td> </tr> <tr> <td></td> <td></td> <td>SHEET NUMBER</td> </tr> </table>	SYMBOLS	THIS DRAWING CONTAINS INFORMATION THAT IS PROPRIETARY TO MOLEX ELECTRONIC TECHNOLOGIES, LLC AND SHOULD NOT BE USED WITHOUT WRITTEN PERMISSION		▽ = 0	DIMENSION UNITS	SCALE	▽ = 0	mm/in		▽ = 0	GENERAL TOLERANCES (UNLESS SPECIFIED)		▽ = 0			▽ = 0	4 PLACES ±	±	▽ = 0	3 PLACES ±	± 0.01	▽ = 0	2 PLACES ±	± 0.015	▽ = 0	1 PLACE ±	± 0.38	▽ = 0	0 PLACES ±	±	□ = 0	ANGULAR TOL ± 0.5°		■ = 0	DRAFT WHERE APPLICABLE MUST REMAIN WITHIN DIMENSIONS		▽ = 0	THIRD ANGLE PROJECTION	DRAWING			SERIES			MATERIAL NUMBER			CUSTOMER			SHEET NUMBER	<table border="1"> <tr> <td colspan="3">CURRENT REV DESC: NOTE 11 ADDED</td> </tr> <tr> <td colspan="3"><b>molex</b></td> </tr> <tr> <td colspan="3">KK .156 HEADER ASSEMBLY FRICTION LOCK RIGHT ANGLE W/O PEGS</td> </tr> <tr> <td colspan="3">PRODUCT CUSTOMER DRAWING</td> </tr> <tr> <td>DOCUMENT NUMBER</td> <td>DOC TYPE</td> <td>DOC PART</td> </tr> <tr> <td>SDA-41792</td> <td>PSD</td> <td>000</td> </tr> <tr> <td>REVISION</td> <td></td> <td></td> </tr> <tr> <td>11-07-03</td> <td></td> <td></td> </tr> <tr> <td>11-17-03</td> <td></td> <td></td> </tr> <tr> <td>INITIAL REVISION:</td> <td></td> <td></td> </tr> <tr> <td>DRWN: JSCHAFFER</td> <td></td> <td></td> </tr> <tr> <td>APPR: MARGULIS</td> <td></td> <td></td> </tr> <tr> <td>EC NO: 620875</td> <td></td> <td></td> </tr> <tr> <td>DRWN: KSUTAR</td> <td>2019/07/18</td> <td></td> </tr> <tr> <td>CHK'D: ISHWARG</td> <td>2019/07/18</td> <td></td> </tr> <tr> <td>APPR: ISHWARG</td> <td>2019/07/18</td> <td></td> </tr> <tr> <td>SEE CHART</td> <td>GENERAL MARKET</td> <td>2 OF 8</td> </tr> </table>	CURRENT REV DESC: NOTE 11 ADDED			<b>molex</b>			KK .156 HEADER ASSEMBLY FRICTION LOCK RIGHT ANGLE W/O PEGS			PRODUCT CUSTOMER DRAWING			DOCUMENT NUMBER	DOC TYPE	DOC PART	SDA-41792	PSD	000	REVISION			11-07-03			11-17-03			INITIAL REVISION:			DRWN: JSCHAFFER			APPR: MARGULIS			EC NO: 620875			DRWN: KSUTAR	2019/07/18		CHK'D: ISHWARG	2019/07/18		APPR: ISHWARG	2019/07/18		SEE CHART	GENERAL MARKET	2 OF 8
SYMBOLS	THIS DRAWING CONTAINS INFORMATION THAT IS PROPRIETARY TO MOLEX ELECTRONIC TECHNOLOGIES, LLC AND SHOULD NOT BE USED WITHOUT WRITTEN PERMISSION																																																																																																												
▽ = 0	DIMENSION UNITS	SCALE																																																																																																											
▽ = 0	mm/in																																																																																																												
▽ = 0	GENERAL TOLERANCES (UNLESS SPECIFIED)																																																																																																												
▽ = 0																																																																																																													
▽ = 0	4 PLACES ±	±																																																																																																											
▽ = 0	3 PLACES ±	± 0.01																																																																																																											
▽ = 0	2 PLACES ±	± 0.015																																																																																																											
▽ = 0	1 PLACE ±	± 0.38																																																																																																											
▽ = 0	0 PLACES ±	±																																																																																																											
□ = 0	ANGULAR TOL ± 0.5°																																																																																																												
■ = 0	DRAFT WHERE APPLICABLE MUST REMAIN WITHIN DIMENSIONS																																																																																																												
▽ = 0	THIRD ANGLE PROJECTION	DRAWING																																																																																																											
		SERIES																																																																																																											
		MATERIAL NUMBER																																																																																																											
		CUSTOMER																																																																																																											
		SHEET NUMBER																																																																																																											
CURRENT REV DESC: NOTE 11 ADDED																																																																																																													
<b>molex</b>																																																																																																													
KK .156 HEADER ASSEMBLY FRICTION LOCK RIGHT ANGLE W/O PEGS																																																																																																													
PRODUCT CUSTOMER DRAWING																																																																																																													
DOCUMENT NUMBER	DOC TYPE	DOC PART																																																																																																											
SDA-41792	PSD	000																																																																																																											
REVISION																																																																																																													
11-07-03																																																																																																													
11-17-03																																																																																																													
INITIAL REVISION:																																																																																																													
DRWN: JSCHAFFER																																																																																																													
APPR: MARGULIS																																																																																																													
EC NO: 620875																																																																																																													
DRWN: KSUTAR	2019/07/18																																																																																																												
CHK'D: ISHWARG	2019/07/18																																																																																																												
APPR: ISHWARG	2019/07/18																																																																																																												
SEE CHART	GENERAL MARKET	2 OF 8																																																																																																											
DOCUMENT STATUS	P1	RELEASE DATE	2019/07/18	08:33:56																																																																																																									

10	9	8	7	6	5	4	3	2	1																																																																								
									41792																																																																								
E	OPTIONS	Group	A-41792-0019/0035	Group	A-41792-0036/0050	Group	A-41792-0051/0067	Group																																																																									
		Header No:	41790-0002/0018	Header No:	41790-0004/0018	Header No:	41790-0002/0018	Header No:																																																																									
		Pin No:	43294-0573	Pin No:	43294-0572	Pin No:	43294-0643	Pin No:																																																																									
		Plating:	241 - GOLD	Plating:	197 - TIN	Plating:	197 - TIN	Plating:																																																																									
		Pin Length L	27.94 / 1.100	Pin Length L	27.94 / 1.100	Pin Length L	29.97 / 1.180	Pin Length L																																																																									
		Mating M	11.43 / .450	Mating M	11.43 / .450	Mating M	13.41 / .528	Mating M																																																																									
		Gold Loc G	6.86/ .270	Gold Loc G	N/A	Gold Loc G	N/A	Gold Loc G																																																																									
		Height Y	5.41 / .213	Height Y	5.41 / .213	Height Y	5.41 / .213	Height Y																																																																									
		PC Tail P	3.96/ .156	PC Tail P	3.96/ .156	PC Tail P	4.01 / .158	PC Tail P																																																																									
		Tin Loc T	5.08/ .200	Tin Loc T	OVERALL	Tin Loc T	OVERALL	Tin Loc T																																																																									
		Voided Ckts	NONE	Voided Ckts	4	Voided Ckts	NONE	Voided Ckts																																																																									
		Pack Per	PK-41792-002	Pack Per	PK-41792-002	Pack Per	PK-41792-002	Pack Per																																																																									
Ckts	Material No	Engineer Number	Material No	Engineer Number	Material No	Engineer Number	Material No	Engineer Number																																																																									
2	26-61-5020	A-41792-0019			26-60-5021	A-41792-0051																																																																											
3	26-61-5030	A-41792-0020																																																																															
4	26-61-5040	A-41792-0021	26-61-5043	A-41792-0036	26-60-5041	A-41792-0053																																																																											
5	26-61-5050	A-41792-0022	26-61-5053	A-41792-0037																																																																													
6	26-61-5060	A-41792-0023	26-61-5063	A-41792-0038																																																																													
7	26-61-5070	A-41792-0024	26-61-5073	A-41792-0039																																																																													
8	26-61-5080	A-41792-0025	26-61-5083	A-41792-0040																																																																													
9	26-61-5090	A-41792-0026	26-61-5093	A-41792-0041																																																																													
10	26-61-5100	A-41792-0027	26-61-5103	A-41792-0042																																																																													
11	26-61-5110	A-41792-0028	26-61-5113	A-41792-0043																																																																													
12	26-61-5120	A-41792-0029	26-61-5123	A-41792-0044																																																																													
13	26-61-5130	A-41792-0030	26-61-5133	A-41792-0045																																																																													
14	26-61-5140	A-41792-0031	26-61-5143	A-41792-0046																																																																													
15	26-61-5150	A-41792-0032	26-61-5153	A-41792-0047																																																																													
16	26-61-5160	A-41792-0033	26-61-5163	A-41792-0048																																																																													
17	26-61-5170	A-41792-0034	26-61-5173	A-41792-0049																																																																													
18	26-61-5180	A-41792-0035	26-61-5183	A-41792-0050																																																																													
<table border="1"> <tr> <td>SYMBOLS</td> <td colspan="3">THIS DRAWING CONTAINS INFORMATION THAT IS PROPRIETARY TO MOLEX ELECTRONIC TECHNOLOGIES, LLC AND SHOULD NOT BE USED WITHOUT WRITTEN PERMISSION</td> </tr> <tr> <td></td> <td>DIMENSION UNITS</td> <td>SCALE</td> <td>CURRENT REV DESC: NOTE 11 ADDED</td> </tr> <tr> <td></td> <td>mm/in</td> <td></td> <td></td> </tr> <tr> <td></td> <td colspan="3">GENERAL TOLERANCES (UNLESS SPECIFIED)</td> </tr> <tr> <td></td> <td></td> <td>MM</td> <td>INCH</td> </tr> <tr> <td></td> <td>4 PLACES ±</td> <td></td> <td></td> </tr> <tr> <td></td> <td>3 PLACES ±</td> <td></td> <td>0.01</td> </tr> <tr> <td></td> <td>2 PLACES ±</td> <td>0.25</td> <td>0.015</td> </tr> <tr> <td></td> <td>1 PLACE ±</td> <td>0.38</td> <td></td> </tr> <tr> <td></td> <td>0 PLACES ±</td> <td></td> <td></td> </tr> <tr> <td></td> <td>ANGULAR TOL ±</td> <td>0.5°</td> <td></td> </tr> <tr> <td></td> <td>DRAFT WHERE APPLICABLE MUST REMAIN WITHIN DIMENSIONS</td> <td>THIRD ANGLE PROJECTION</td> <td>DRAWING SERIES</td> </tr> <tr> <td></td> <td></td> <td></td> <td>B-SIZE 41792</td> </tr> <tr> <td colspan="2">DOCUMENT STATUS</td> <td>RELEASE DATE</td> <td>2019/07/18 08:33:56</td> </tr> <tr> <td colspan="2">DOCUMENT NUMBER</td> <td>DOC TYPE</td> <td>DOC PART</td> </tr> <tr> <td colspan="2">SDA-41792</td> <td>PSD</td> <td>000</td> </tr> <tr> <td colspan="2">MATERIAL NUMBER</td> <td>CUSTOMER</td> <td>SHEET NUMBER</td> </tr> <tr> <td colspan="2">SEE CHART</td> <td>GENERAL MARKET</td> <td>3 OF 8</td> </tr> </table>										SYMBOLS	THIS DRAWING CONTAINS INFORMATION THAT IS PROPRIETARY TO MOLEX ELECTRONIC TECHNOLOGIES, LLC AND SHOULD NOT BE USED WITHOUT WRITTEN PERMISSION				DIMENSION UNITS	SCALE	CURRENT REV DESC: NOTE 11 ADDED		mm/in				GENERAL TOLERANCES (UNLESS SPECIFIED)					MM	INCH		4 PLACES ±				3 PLACES ±		0.01		2 PLACES ±	0.25	0.015		1 PLACE ±	0.38			0 PLACES ±				ANGULAR TOL ±	0.5°			DRAFT WHERE APPLICABLE MUST REMAIN WITHIN DIMENSIONS	THIRD ANGLE PROJECTION	DRAWING SERIES				B-SIZE 41792	DOCUMENT STATUS		RELEASE DATE	2019/07/18 08:33:56	DOCUMENT NUMBER		DOC TYPE	DOC PART	SDA-41792		PSD	000	MATERIAL NUMBER		CUSTOMER	SHEET NUMBER	SEE CHART		GENERAL MARKET	3 OF 8
SYMBOLS	THIS DRAWING CONTAINS INFORMATION THAT IS PROPRIETARY TO MOLEX ELECTRONIC TECHNOLOGIES, LLC AND SHOULD NOT BE USED WITHOUT WRITTEN PERMISSION																																																																																
	DIMENSION UNITS	SCALE	CURRENT REV DESC: NOTE 11 ADDED																																																																														
	mm/in																																																																																
	GENERAL TOLERANCES (UNLESS SPECIFIED)																																																																																
		MM	INCH																																																																														
	4 PLACES ±																																																																																
	3 PLACES ±		0.01																																																																														
	2 PLACES ±	0.25	0.015																																																																														
	1 PLACE ±	0.38																																																																															
	0 PLACES ±																																																																																
	ANGULAR TOL ±	0.5°																																																																															
	DRAFT WHERE APPLICABLE MUST REMAIN WITHIN DIMENSIONS	THIRD ANGLE PROJECTION	DRAWING SERIES																																																																														
			B-SIZE 41792																																																																														
DOCUMENT STATUS		RELEASE DATE	2019/07/18 08:33:56																																																																														
DOCUMENT NUMBER		DOC TYPE	DOC PART																																																																														
SDA-41792		PSD	000																																																																														
MATERIAL NUMBER		CUSTOMER	SHEET NUMBER																																																																														
SEE CHART		GENERAL MARKET	3 OF 8																																																																														
<table border="1"> <tr> <td colspan="2">DOCUMENT STATUS</td> <td>RELEASE DATE</td> <td>2019/07/18 08:33:56</td> </tr> <tr> <td colspan="2">DOCUMENT NUMBER</td> <td>DOC TYPE</td> <td>DOC PART</td> </tr> <tr> <td colspan="2">SDA-41792</td> <td>PSD</td> <td>000</td> </tr> <tr> <td colspan="2">MATERIAL NUMBER</td> <td>CUSTOMER</td> <td>SHEET NUMBER</td> </tr> <tr> <td colspan="2">SEE CHART</td> <td>GENERAL MARKET</td> <td>3 OF 8</td> </tr> </table>										DOCUMENT STATUS		RELEASE DATE	2019/07/18 08:33:56	DOCUMENT NUMBER		DOC TYPE	DOC PART	SDA-41792		PSD	000	MATERIAL NUMBER		CUSTOMER	SHEET NUMBER	SEE CHART		GENERAL MARKET	3 OF 8																																																				
DOCUMENT STATUS		RELEASE DATE	2019/07/18 08:33:56																																																																														
DOCUMENT NUMBER		DOC TYPE	DOC PART																																																																														
SDA-41792		PSD	000																																																																														
MATERIAL NUMBER		CUSTOMER	SHEET NUMBER																																																																														
SEE CHART		GENERAL MARKET	3 OF 8																																																																														
10	9	8	7	6	5	4	3	2	1																																																																								

10	9	8	7	6	5	4	3	2	1																																										
		41792																																																	
E	OPTIONS	Group	A-41792-0198/0213	Group	A-41792-0214/0227	Group	A-41792-0242/0257	Group	A-41792-0341/0352																																										
		Header No:	41790-0002/0018	Header No:	41790-0005/0018	Header No:	41790-0003/0018	Header No:	41790-0007/0018																																										
		Pin No:	43294-0572	Pin No:	43294-0572	Pin No:	43294-0572	Pin No:	43294-0572																																										
		Plating:	197 - TIN	Plating:	197 - TIN	Plating:	197 - TIN	Plating:	197 - TIN																																										
		Pin Length L	27.94/ 1.100	Pin Length L	27.94/ 1.100	Pin Length L	27.94/ 1.100	Pin Length L	27.94/ 1.100																																										
		Mating M	11.43 / .450	Mating M	11.43 / .450	Mating M	11.43 / .450	Mating M	11.43 / .450																																										
		Gold Loc G	N/A	Gold Loc G	N/A	Gold Loc G	N/A	Gold Loc G	N/A																																										
		Height Y	5.41 / .213	Height Y	5.41 / .213	Height Y	5.41 / .213	Height Y	5.41 / .213																																										
		PC Tail P	3.96 / .156	PC Tail P	3.96 / .156	PC Tail P	3.96 / .156	PC Tail P	3.96 / .156																																										
		Tin Loc T	OVERALL	Tin Loc T	OVERALL	Tin Loc T	OVERALL	Tin Loc T	OVERALL																																										
		Voided Ckts	2	Voided Ckts	5	Voided Ckts	3	Voided Ckts	7																																										
		Pack Per	PK-41792-002	Pack Per	PK-41792-002	Pack Per	PK-41792-002	Pack Per	PK-41792-002																																										
Ckts	Material No	Engineer Number	Material No	Engineer Number	Material No	Engineer Number	Material No	Engineer Number																																											
2																																																			
3	26-62-5031	A-41792-0198			26-62-5035	A-41792-0242																																													
4	26-62-5041	A-41792-0199			26-62-5045	A-41792-0243																																													
5	26-62-5051	A-41792-0200	41792-0214	A-41792-0214	26-62-5055	A-41792-0244																																													
6	26-62-5061	A-41792-0201	26-62-5060	A-41792-0215	26-62-5065	A-41792-0245																																													
7	26-62-5071	A-41792-0202	41792-0216	A-41792-0216	26-62-5075	A-41792-0246	41792-0341	A-41792-0341																																											
8	26-62-5081	A-41792-0203	41792-0217	A-41792-0217	26-62-5085	A-41792-0247	41792-0342	A-41792-0342																																											
9	26-62-5091	A-41792-0204	41792-0218	A-41792-0218	26-62-5095	A-41792-0248	41792-0343	A-41792-0343																																											
10	26-62-5101	A-41792-0205	26-62-5100	A-41792-0219	26-62-5105	A-41792-0249	26-62-5104	A-41792-0344																																											
11	26-62-5111	A-41792-0206	41792-0220	A-41792-0220	26-62-5115	A-41792-0250	26-62-5114	A-41792-0345																																											
12	26-62-5121	A-41792-0207	41792-0221	A-41792-0221	26-62-5125	A-41792-0251	41792-0346	A-41792-0346																																											
13	26-62-5131	A-41792-0208	41792-0222	A-41792-0222	26-62-5135	A-41792-0252	41792-0347	A-41792-0347																																											
14	26-62-5141	A-41792-0209	41792-0223	A-41792-0223	26-62-5145	A-41792-0253	41792-0348	A-41792-0348																																											
15	26-62-5151	A-41792-0210	41792-0224	A-41792-0224	26-62-5155	A-41792-0254	41792-0349	A-41792-0349																																											
16	26-62-5161	A-41792-0211	41792-0225	A-41792-0225	26-62-5165	A-41792-0255	41792-0350	A-41792-0350																																											
17	26-62-5171	A-41792-0212	41792-0226	A-41792-0226	26-62-5175	A-41792-0256	41792-0351	A-41792-0351																																											
18	26-62-5181	A-41792-0213	41792-0227	A-41792-0227	26-62-5185	A-41792-0257	41792-0352	A-41792-0352																																											
		<table border="1"> <tr> <td>SYMBOLS</td> <td colspan="2">THIS DRAWING CONTAINS INFORMATION THAT IS PROPRIETARY TO MOLEX ELECTRONIC TECHNOLOGIES, LLC AND SHOULD NOT BE USED WITHOUT WRITTEN PERMISSION</td> </tr> <tr> <td>▽ = 0</td> <td>DIMENSION UNITS</td> <td>SCALE</td> </tr> <tr> <td>▽ = 0</td> <td>mm/in</td> <td></td> </tr> <tr> <td>▽ = 0</td> <td colspan="2">GENERAL TOLERANCES (UNLESS SPECIFIED)</td> </tr> <tr> <td>▽ = 0</td> <td></td> <td></td> </tr> <tr> <td>▽ = 0</td> <td>4 PLACES ±</td> <td>±</td> </tr> <tr> <td>▽ = 0</td> <td>3 PLACES ±</td> <td>± 0.01</td> </tr> <tr> <td>▽ = 0</td> <td>2 PLACES ±</td> <td>± 0.015</td> </tr> <tr> <td>▽ = 0</td> <td>1 PLACE ±</td> <td>± 0.38</td> </tr> <tr> <td>▽ = 0</td> <td>0 PLACES ±</td> <td>±</td> </tr> <tr> <td>□ = 0</td> <td colspan="2">ANGULAR TOL ± 0.5°</td> </tr> <tr> <td>■ = 0</td> <td colspan="2">DRAFT WHERE APPLICABLE MUST REMAIN WITHIN DIMENSIONS</td> </tr> <tr> <td>▽ = 0</td> <td>THIRD ANGLE PROJECTION</td> <td>DRAWING SERIES</td> </tr> <tr> <td></td> <td></td> <td>B-SIZE 41792</td> </tr> </table>								SYMBOLS	THIS DRAWING CONTAINS INFORMATION THAT IS PROPRIETARY TO MOLEX ELECTRONIC TECHNOLOGIES, LLC AND SHOULD NOT BE USED WITHOUT WRITTEN PERMISSION		▽ = 0	DIMENSION UNITS	SCALE	▽ = 0	mm/in		▽ = 0	GENERAL TOLERANCES (UNLESS SPECIFIED)		▽ = 0			▽ = 0	4 PLACES ±	±	▽ = 0	3 PLACES ±	± 0.01	▽ = 0	2 PLACES ±	± 0.015	▽ = 0	1 PLACE ±	± 0.38	▽ = 0	0 PLACES ±	±	□ = 0	ANGULAR TOL ± 0.5°		■ = 0	DRAFT WHERE APPLICABLE MUST REMAIN WITHIN DIMENSIONS		▽ = 0	THIRD ANGLE PROJECTION	DRAWING SERIES			B-SIZE 41792
SYMBOLS	THIS DRAWING CONTAINS INFORMATION THAT IS PROPRIETARY TO MOLEX ELECTRONIC TECHNOLOGIES, LLC AND SHOULD NOT BE USED WITHOUT WRITTEN PERMISSION																																																		
▽ = 0	DIMENSION UNITS	SCALE																																																	
▽ = 0	mm/in																																																		
▽ = 0	GENERAL TOLERANCES (UNLESS SPECIFIED)																																																		
▽ = 0																																																			
▽ = 0	4 PLACES ±	±																																																	
▽ = 0	3 PLACES ±	± 0.01																																																	
▽ = 0	2 PLACES ±	± 0.015																																																	
▽ = 0	1 PLACE ±	± 0.38																																																	
▽ = 0	0 PLACES ±	±																																																	
□ = 0	ANGULAR TOL ± 0.5°																																																		
■ = 0	DRAFT WHERE APPLICABLE MUST REMAIN WITHIN DIMENSIONS																																																		
▽ = 0	THIRD ANGLE PROJECTION	DRAWING SERIES																																																	
		B-SIZE 41792																																																	
		CURRENT REV DESC: NOTE 11 ADDED				<table border="1"> <tr> <td colspan="4" style="text-align: center;"><b>molex</b></td> </tr> <tr> <td colspan="4" style="text-align: center;">KK .156 HEADER ASSEMBLY FRICTION LOCK RIGHT ANGLE W/O PEGS</td> </tr> <tr> <td colspan="4" style="text-align: center;">PRODUCT CUSTOMER DRAWING</td> </tr> <tr> <td>DOCUMENT NUMBER</td> <td>DOC TYPE</td> <td>DOC PART</td> <td>REVISION</td> </tr> <tr> <td>SDA-41792</td> <td>PSD</td> <td>000</td> <td>K7</td> </tr> <tr> <td>MATERIAL NUMBER</td> <td>CUSTOMER</td> <td colspan="2">SHEET NUMBER</td> </tr> <tr> <td>SEE CHART</td> <td>GENERAL MARKET</td> <td colspan="2">4 OF 8</td> </tr> </table>				<b>molex</b>				KK .156 HEADER ASSEMBLY FRICTION LOCK RIGHT ANGLE W/O PEGS				PRODUCT CUSTOMER DRAWING				DOCUMENT NUMBER	DOC TYPE	DOC PART	REVISION	SDA-41792	PSD	000	K7	MATERIAL NUMBER	CUSTOMER	SHEET NUMBER		SEE CHART	GENERAL MARKET	4 OF 8															
<b>molex</b>																																																			
KK .156 HEADER ASSEMBLY FRICTION LOCK RIGHT ANGLE W/O PEGS																																																			
PRODUCT CUSTOMER DRAWING																																																			
DOCUMENT NUMBER	DOC TYPE	DOC PART	REVISION																																																
SDA-41792	PSD	000	K7																																																
MATERIAL NUMBER	CUSTOMER	SHEET NUMBER																																																	
SEE CHART	GENERAL MARKET	4 OF 8																																																	
DOCUMENT STATUS P1		RELEASE DATE	2019/07/18	08:33:56																																															
10	9	8	7	6	5	4	3	2	1																																										



10	9	8	7	6	5	4	3	2	1																																																																																																																																																																																																																																																						
									41792																																																																																																																																																																																																																																																						
F	E	D	C	B	A	OPTIONS	Group	A-41792-0596/0612	Group	A-41792-0613/0629	Group	A-41792-0484/0493	Group	A-41792-0653																																																																																																																																																																																																																																																	
							Header No:	41790-0007/0018	Header No:	41790-0009/0018	Header No:	41790-0009/0018	Header No:	41790-0005/0018																																																																																																																																																																																																																																																	
							Pin No:	43294-0571	Pin No:	43294-0571	Pin No:	43294-0571	Pin No:	43294-0570																																																																																																																																																																																																																																																	
							Plating:	154 - TIN	Plating:	154 - TIN	Plating:	154 - TIN	Plating:	228 - 30 GOLD																																																																																																																																																																																																																																																	
							Pin Length L	27.94 / 1.100	Pin Length L	27.94 / 1.100	Pin Length L	27.94 / 1.100	Pin Length L	27.94 / 1.100																																																																																																																																																																																																																																																	
							Mating M	11.43 / .450	Mating M	11.43 / .450	Mating M	11.43 / .450	Mating M	11.43 / .450																																																																																																																																																																																																																																																	
							Gold Loc G	N/A	Gold Loc G	N/A	Gold Loc G	N/A	Gold Loc G	6.86/ .270																																																																																																																																																																																																																																																	
							Height Y	5.41 / .213	Height Y	5.41 / .213	Height Y	5.41 / .213	Height Y	5.41 / .213																																																																																																																																																																																																																																																	
							PC Tail P	3.96 / .156	PC Tail P	3.96 / .156	PC Tail P	3.96 / .156	PC Tail P	3.96/ .156																																																																																																																																																																																																																																																	
							Tin Loc T	OVERALL	Tin Loc T	OVERALL	Tin Loc T	OVERALL	Tin Loc T	5.08/ .200																																																																																																																																																																																																																																																	
							Voided Ckts	2, 7	Voided Ckts	2, 5, 9	Voided Ckts	2, 5, 9	Voided Ckts	2, 5																																																																																																																																																																																																																																																	
							Pack Per	PK-41792-002	Pack Per	PK-41792-002	Pack Per	PK-41792-002	Pack Per	PK-41792-002																																																																																																																																																																																																																																																	
							Ckts	Material No	Engineer Number	Material No	Engineer Number	Material No	Engineer Number	Material No	Engineer Number																																																																																																																																																																																																																																																
							2																																																																																																																																																																																																																																																								
							3																																																																																																																																																																																																																																																								
							4																																																																																																																																																																																																																																																								
							5																																																																																																																																																																																																																																																								
							6							41792-0653	A-41792-0653																																																																																																																																																																																																																																																
7	50-29-1926	A-41792-0601																																																																																																																																																																																																																																																													
8	50-29-1927	A-41792-0602																																																																																																																																																																																																																																																													
9	50-29-1928	A-41792-0603	50-29-1945	A-41792-0620		A-41792-0630																																																																																																																																																																																																																																																									
10	50-29-1929	A-41792-0604	50-29-1946	A-41792-0621		A-41792-0631																																																																																																																																																																																																																																																									
11	50-29-1930	A-41792-0605	50-29-1947	A-41792-0622		A-41792-0632																																																																																																																																																																																																																																																									
12	50-29-1931	A-41792-0606	50-29-1948	A-41792-0623	41792-0633	A-41792-0633																																																																																																																																																																																																																																																									
13	50-29-1932	A-41792-0607	50-29-1949	A-41792-0624		A-41792-0634																																																																																																																																																																																																																																																									
14	50-29-1933	A-41792-0608	50-29-1950	A-41792-0625		A-41792-0635																																																																																																																																																																																																																																																									
15	50-29-1934	A-41792-0609	50-29-1951	A-41792-0626		A-41792-0636																																																																																																																																																																																																																																																									
16	50-29-1935	A-41792-0610	50-29-1952	A-41792-0627		A-41792-0637																																																																																																																																																																																																																																																									
17	50-29-1936	A-41792-0611	50-29-1953	A-41792-0628		A-41792-0638																																																																																																																																																																																																																																																									
18	50-29-1937	A-41792-0612	50-29-1954	A-41792-0629		A-41792-0639																																																																																																																																																																																																																																																									
						<table border="1"> <tr> <td rowspan="10">SYMBOLS</td> <td colspan="2">THIS DRAWING CONTAINS INFORMATION THAT IS PROPRIETARY TO MOLEX ELECTRONIC TECHNOLOGIES, LLC AND SHOULD NOT BE USED WITHOUT WRITTEN PERMISSION</td> </tr> <tr> <td>DIMENSION UNITS</td> <td>SCALE</td> </tr> <tr> <td> = 0</td> <td>mm/in</td> </tr> <tr> <td> = 0</td> <td>GENERAL TOLERANCES (UNLESS SPECIFIED)</td> </tr> <tr> <td> = 0</td> <td></td> </tr> <tr> <td> = 0</td> <td></td> </tr> <tr> <td> = 0</td> <td></td> </tr> <tr> <td> = 0</td> <td></td> </tr> <tr> <td> = 0</td> <td></td> </tr> <tr> <td> = 0</td> <td></td> </tr> <tr> <td> = 0</td> <td></td> </tr> <tr> <td> = 0</td> <td></td> </tr> <tr> <td> = 0</td> <td></td> </tr> <tr> <td> = 0</td> <td></td> </tr> <tr> <td> = 0</td> <td></td> </tr> <tr> <td> = 0</td> <td></td> </tr> <tr> <td> = 0</td> <td></td> </tr> <tr> <td> = 0</td> <td></td> </tr> <tr> <td> = 0</td> <td></td> </tr> <tr> <td> = 0</td> <td></td> </tr> <tr> <td> = 0</td> <td></td> </tr> <tr> <td> = 0</td> <td></td> </tr> <tr> <td> = 0</td> <td></td> </tr> <tr> <td> = 0</td> <td></td> </tr> <tr> <td> = 0</td> <td></td> </tr> <tr> <td> = 0</td> <td></td> </tr> <tr> <td> = 0</td> <td></td> </tr> <tr> <td> = 0</td> <td></td> </tr> <tr> <td> = 0</td> <td></td> </tr> <tr> <td> = 0</td> <td></td> </tr> <tr> <td> = 0</td> <td></td> </tr> <tr> <td> = 0</td> <td></td> </tr> <tr> <td> = 0</td> <td></td> </tr> <tr> <td> = 0</td> <td></td> </tr> <tr> <td> = 0</td> <td></td> </tr> <tr> <td> = 0</td> <td></td> </tr> <tr> <td> = 0</td> <td></td> </tr> <tr> <td> = 0</td> <td></td> </tr> <tr> <td> = 0</td> <td></td> </tr> <tr> <td> = 0</td> <td></td> </tr> <tr> <td> = 0</td> <td></td> </tr> <tr> <td> = 0</td> <td></td> </tr> <tr> <td> = 0</td> <td></td> </tr> <tr> <td> = 0</td> <td></td> </tr> <tr> <td> = 0</td> <td></td> </tr> <tr> <td> = 0</td> <td></td> </tr> <tr> <td> = 0</td> <td></td> </tr> <tr> <td> = 0</td> <td></td> </tr> <tr> <td> = 0</td> <td></td> </tr> <tr> <td> = 0</td> <td></td> </tr> <tr> <td> = 0</td> <td></td> </tr> <tr> <td> = 0</td> <td></td> </tr> <tr> <td> = 0</td> <td></td> </tr> <tr> <td> = 0</td> <td></td> </tr> <tr> <td> = 0</td> <td></td> </tr> <tr> <td> = 0</td> <td></td> </tr> <tr> <td> = 0</td> <td></td> </tr> <tr> <td> = 0</td> <td></td> </tr> <tr> <td> = 0</td> <td></td> </tr> <tr> <td> = 0</td> <td></td> </tr> <tr> <td> = 0</td> <td></td> </tr> <tr> <td> = 0</td> <td></td> </tr> <tr> <td> = 0</td> <td></td> </tr> <tr> <td> = 0</td> <td></td> </tr> <tr> <td> = 0</td> <td></td> </tr> <tr> <td> = 0</td> <td></td> </tr> <tr> <td> = 0</td> <td></td> </tr> <tr> <td> = 0</td> <td></td> </tr> <tr> <td> = 0</td> <td></td> </tr> <tr> <td> = 0</td> <td></td> </tr> <tr> <td> = 0</td> <td></td> </tr> <tr> <td> = 0</td> <td></td> </tr> <tr> <td> = 0</td> <td></td> </tr> <tr> <td> = 0</td> <td></td> </tr> <tr> <td> = 0</td> <td></td> </tr> <tr> <td> = 0</td> <td></td> </tr> <tr> <td> = 0</td> <td></td> </tr> <tr> <td> = 0</td> <td></td> </tr> <tr> <td> = 0</td> <td></td> </tr> <tr> <td> = 0</td> <td></td> </tr> <tr> <td> = 0</td> <td></td> </tr> <tr> <td> = 0</td> <td></td> </tr> <tr> <td> = 0</td> <td></td> </tr> <tr> <td> = 0</td> <td></td> </tr> <tr> <td> = 0</td> <td></td> </tr> <tr> <td> = 0</td> <td></td> </tr> <tr> <td> = 0</td> <td></td> </tr> <tr> <td> = 0</td> <td></td> </tr> <tr> <td> = 0</td> <td></td> </tr> <tr> <td> = 0</td> <td></td> </tr> <tr> <td> = 0</td> <td></td> </tr> <tr> <td> = 0</td> <td></td> </tr> <tr> <td> = 0</td> <td></td> </tr> <tr> <td> = 0</td> <td></td> </tr> <tr> <td> = 0</td> <td></td> </tr> <tr> <td> = 0</td> <td></td> </tr> <tr> <td> = 0</td> <td></td> </tr> <tr> <td> = 0</td> <td></td> </tr> <tr> <td> = 0</td> <td></td> </tr> <tr> <td> = 0</td> <td></td> </tr> <tr> <td> = 0</td> <td></td> </tr> <tr> <td> = 0</td> <td></td> </tr> </table>	SYMBOLS	THIS DRAWING CONTAINS INFORMATION THAT IS PROPRIETARY TO MOLEX ELECTRONIC TECHNOLOGIES, LLC AND SHOULD NOT BE USED WITHOUT WRITTEN PERMISSION		DIMENSION UNITS	SCALE	= 0	mm/in	= 0	GENERAL TOLERANCES (UNLESS SPECIFIED)	= 0		= 0		= 0		= 0		= 0		= 0		= 0		= 0		= 0		= 0		= 0		= 0		= 0		= 0		= 0		= 0		= 0		= 0		= 0		= 0		= 0		= 0		= 0		= 0		= 0		= 0		= 0		= 0		= 0		= 0		= 0		= 0		= 0		= 0		= 0		= 0		= 0		= 0		= 0		= 0		= 0		= 0		= 0		= 0		= 0		= 0		= 0		= 0		= 0		= 0		= 0		= 0		= 0		= 0		= 0		= 0		= 0		= 0		= 0		= 0		= 0		= 0		= 0		= 0		= 0		= 0		= 0		= 0		= 0		= 0		= 0		= 0		= 0		= 0		= 0		= 0		= 0		= 0		= 0		= 0		= 0		= 0		= 0		= 0		= 0		= 0		= 0		= 0		= 0		= 0		= 0		= 0		= 0		= 0		= 0		= 0		= 0		= 0		<table border="1"> <tr> <td colspan="3">CURRENT REV DESC: NOTE 11 ADDED</td> </tr> <tr> <td>EC NO: 620875</td> <td>DRWN: KSUTAR</td> <td>2019/07/18</td> </tr> <tr> <td>CHK'D: ISHWARG</td> <td>APPR: ISHWARG</td> <td>2019/07/18</td> </tr> <tr> <td>INITIAL REVISION:</td> <td>DRWN: JSCHAFFER</td> <td>11-07-03</td> </tr> <tr> <td>APPR: MARGULIS</td> <td></td> <td>11-17-03</td> </tr> </table>	CURRENT REV DESC: NOTE 11 ADDED			EC NO: 620875	DRWN: KSUTAR	2019/07/18	CHK'D: ISHWARG	APPR: ISHWARG	2019/07/18	INITIAL REVISION:	DRWN: JSCHAFFER	11-07-03	APPR: MARGULIS		11-17-03	<table border="1"> <tr> <td colspan="3"><b>molex</b></td> </tr> <tr> <td colspan="3">KK .156 HEADER ASSEMBLY FRICTION LOCK RIGHT ANGLE W/O PEGS</td> </tr> <tr> <td colspan="3">PRODUCT CUSTOMER DRAWING</td> </tr> <tr> <td>DOCUMENT NUMBER</td> <td>DOC TYPE</td> <td>DOC PART</td> </tr> <tr> <td>SDA-41792</td> <td>PSD</td> <td>000</td> </tr> <tr> <td>REVISION</td> <td></td> <td></td> </tr> <tr> <td>K7</td> <td></td> <td></td> </tr> <tr> <td>MATERIAL NUMBER</td> <td>CUSTOMER</td> <td>SHEET NUMBER</td> </tr> <tr> <td>SEE CHART</td> <td>GENERAL MARKET</td> <td>6 OF 8</td> </tr> </table>	<b>molex</b>			KK .156 HEADER ASSEMBLY FRICTION LOCK RIGHT ANGLE W/O PEGS			PRODUCT CUSTOMER DRAWING			DOCUMENT NUMBER	DOC TYPE	DOC PART	SDA-41792	PSD	000	REVISION			K7			MATERIAL NUMBER	CUSTOMER	SHEET NUMBER	SEE CHART	GENERAL MARKET	6 OF 8
SYMBOLS	THIS DRAWING CONTAINS INFORMATION THAT IS PROPRIETARY TO MOLEX ELECTRONIC TECHNOLOGIES, LLC AND SHOULD NOT BE USED WITHOUT WRITTEN PERMISSION																																																																																																																																																																																																																																																														
	DIMENSION UNITS	SCALE																																																																																																																																																																																																																																																													
	= 0	mm/in																																																																																																																																																																																																																																																													
	= 0	GENERAL TOLERANCES (UNLESS SPECIFIED)																																																																																																																																																																																																																																																													
	= 0																																																																																																																																																																																																																																																														
	= 0																																																																																																																																																																																																																																																														
	= 0																																																																																																																																																																																																																																																														
	= 0																																																																																																																																																																																																																																																														
	= 0																																																																																																																																																																																																																																																														
	= 0																																																																																																																																																																																																																																																														
= 0																																																																																																																																																																																																																																																															
= 0																																																																																																																																																																																																																																																															
= 0																																																																																																																																																																																																																																																															
= 0																																																																																																																																																																																																																																																															
= 0																																																																																																																																																																																																																																																															
= 0																																																																																																																																																																																																																																																															
= 0																																																																																																																																																																																																																																																															
= 0																																																																																																																																																																																																																																																															
= 0																																																																																																																																																																																																																																																															
= 0																																																																																																																																																																																																																																																															
= 0																																																																																																																																																																																																																																																															
= 0																																																																																																																																																																																																																																																															
= 0																																																																																																																																																																																																																																																															
= 0																																																																																																																																																																																																																																																															
= 0																																																																																																																																																																																																																																																															
= 0																																																																																																																																																																																																																																																															
= 0																																																																																																																																																																																																																																																															
= 0																																																																																																																																																																																																																																																															
= 0																																																																																																																																																																																																																																																															
= 0																																																																																																																																																																																																																																																															
= 0																																																																																																																																																																																																																																																															
= 0																																																																																																																																																																																																																																																															
= 0																																																																																																																																																																																																																																																															
= 0																																																																																																																																																																																																																																																															
= 0																																																																																																																																																																																																																																																															
= 0																																																																																																																																																																																																																																																															
= 0																																																																																																																																																																																																																																																															
= 0																																																																																																																																																																																																																																																															
= 0																																																																																																																																																																																																																																																															
= 0																																																																																																																																																																																																																																																															
= 0																																																																																																																																																																																																																																																															
= 0																																																																																																																																																																																																																																																															
= 0																																																																																																																																																																																																																																																															
= 0																																																																																																																																																																																																																																																															
= 0																																																																																																																																																																																																																																																															
= 0																																																																																																																																																																																																																																																															
= 0																																																																																																																																																																																																																																																															
= 0																																																																																																																																																																																																																																																															
= 0																																																																																																																																																																																																																																																															
= 0																																																																																																																																																																																																																																																															
= 0																																																																																																																																																																																																																																																															
= 0																																																																																																																																																																																																																																																															
= 0																																																																																																																																																																																																																																																															
= 0																																																																																																																																																																																																																																																															
= 0																																																																																																																																																																																																																																																															
= 0																																																																																																																																																																																																																																																															
= 0																																																																																																																																																																																																																																																															
= 0																																																																																																																																																																																																																																																															
= 0																																																																																																																																																																																																																																																															
= 0																																																																																																																																																																																																																																																															
= 0																																																																																																																																																																																																																																																															
= 0																																																																																																																																																																																																																																																															
= 0																																																																																																																																																																																																																																																															
= 0																																																																																																																																																																																																																																																															
= 0																																																																																																																																																																																																																																																															
= 0																																																																																																																																																																																																																																																															
= 0																																																																																																																																																																																																																																																															
= 0																																																																																																																																																																																																																																																															
= 0																																																																																																																																																																																																																																																															
= 0																																																																																																																																																																																																																																																															
= 0																																																																																																																																																																																																																																																															
= 0																																																																																																																																																																																																																																																															
= 0																																																																																																																																																																																																																																																															
= 0																																																																																																																																																																																																																																																															
= 0																																																																																																																																																																																																																																																															
= 0																																																																																																																																																																																																																																																															
= 0																																																																																																																																																																																																																																																															
= 0																																																																																																																																																																																																																																																															
= 0																																																																																																																																																																																																																																																															
= 0																																																																																																																																																																																																																																																															
= 0																																																																																																																																																																																																																																																															
= 0																																																																																																																																																																																																																																																															
= 0																																																																																																																																																																																																																																																															
= 0																																																																																																																																																																																																																																																															
= 0																																																																																																																																																																																																																																																															
= 0																																																																																																																																																																																																																																																															
= 0																																																																																																																																																																																																																																																															
= 0																																																																																																																																																																																																																																																															
= 0																																																																																																																																																																																																																																																															
= 0																																																																																																																																																																																																																																																															
= 0																																																																																																																																																																																																																																																															
= 0																																																																																																																																																																																																																																																															
= 0																																																																																																																																																																																																																																																															
= 0																																																																																																																																																																																																																																																															
= 0																																																																																																																																																																																																																																																															
= 0																																																																																																																																																																																																																																																															
= 0																																																																																																																																																																																																																																																															
= 0																																																																																																																																																																																																																																																															
= 0																																																																																																																																																																																																																																																															
= 0																																																																																																																																																																																																																																																															
= 0																																																																																																																																																																																																																																																															
= 0																																																																																																																																																																																																																																																															
CURRENT REV DESC: NOTE 11 ADDED																																																																																																																																																																																																																																																															
EC NO: 620875	DRWN: KSUTAR	2019/07/18																																																																																																																																																																																																																																																													
CHK'D: ISHWARG	APPR: ISHWARG	2019/07/18																																																																																																																																																																																																																																																													
INITIAL REVISION:	DRWN: JSCHAFFER	11-07-03																																																																																																																																																																																																																																																													
APPR: MARGULIS		11-17-03																																																																																																																																																																																																																																																													
<b>molex</b>																																																																																																																																																																																																																																																															
KK .156 HEADER ASSEMBLY FRICTION LOCK RIGHT ANGLE W/O PEGS																																																																																																																																																																																																																																																															
PRODUCT CUSTOMER DRAWING																																																																																																																																																																																																																																																															
DOCUMENT NUMBER	DOC TYPE	DOC PART																																																																																																																																																																																																																																																													
SDA-41792	PSD	000																																																																																																																																																																																																																																																													
REVISION																																																																																																																																																																																																																																																															
K7																																																																																																																																																																																																																																																															
MATERIAL NUMBER	CUSTOMER	SHEET NUMBER																																																																																																																																																																																																																																																													
SEE CHART	GENERAL MARKET	6 OF 8																																																																																																																																																																																																																																																													
DOCUMENT STATUS	P1	RELEASE DATE	2019/07/18	08:33:56																																																																																																																																																																																																																																																											
10	9	8	7	6	5	4	3	2	1																																																																																																																																																																																																																																																						

10	9	8	7	6	5	4	3	2	1																																																																																																																																															
									41792																																																																																																																																															
E	OPTIONS	Group	A-41792-0667	Group	A-41792-0677	Group	A-41792-0690	Group	A-41792-0698																																																																																																																																															
		Header No:	41790-0009/0018	Header No:	41790-0011/0018	Header No:	41790-0006/0018	Header No:	41790-0013/0018																																																																																																																																															
		Pin No:	43294-0570	Pin No:	43294-0570	Pin No:	43294-0570	Pin No:	43294-0572																																																																																																																																															
		Plating:	228 - 30 GOLD	Plating:	228 - 30 GOLD	Plating:	228 - 30 GOLD	Plating:	197 - TIN																																																																																																																																															
		Pin Length L	27.94 / 1.100	Pin Length L	27.94 / 1.100	Pin Length L	27.94 / 1.100	Pin Length L	27.94 / 1.100																																																																																																																																															
		Mating M	11.43 / .450	Mating M	11.43 / .450	Mating M	11.43 / .450	Mating M	11.43 / .450																																																																																																																																															
		Gold Loc G	6.86/ .270	Gold Loc G	6.86/ .270	Gold Loc G	6.86/ .270	Gold Loc G	N/A																																																																																																																																															
		Height Y	5.41 / .213	Height Y	5.41 / .213	Height Y	5.41 / .213	Height Y	5.41 / .213																																																																																																																																															
		PC Tail P	3.96/ .156	PC Tail P	3.96/ .156	PC Tail P	3.96/ .156	PC Tail P	3.96/ .156																																																																																																																																															
		Tin Loc T	5.08/ .200	Tin Loc T	5.08/ .200	Tin Loc T	5.08/ .200	Tin Loc T	OVERALL																																																																																																																																															
		Voided Ckts	2, 3, 5, 6, 8, 9	Voided Ckts	7, 9, 11	Voided Ckts	2, 4, 6	Voided Ckts	2, 6, 11, 13																																																																																																																																															
		Pack Per	PK-41792-002	Pack Per	PK-41792-002	Pack Per	PK-41792-002	Pack Per	PK-41792-002																																																																																																																																															
Ckts	Material No	Engineer Number	Material No	Engineer Number	Material No	Engineer Number	Material No	Engineer Number																																																																																																																																																
2																																																																																																																																																								
3																																																																																																																																																								
4																																																																																																																																																								
5																																																																																																																																																								
6																																																																																																																																																								
7																																																																																																																																																								
8																																																																																																																																																								
9																																																																																																																																																								
10	41792-0667	A-41792-0667																																																																																																																																																						
11																																																																																																																																																								
12			41792-0677	A-41792-0677	41792-0690	A-41792-0690																																																																																																																																																		
13																																																																																																																																																								
14							41792-0698	A-41792-0698																																																																																																																																																
15																																																																																																																																																								
16																																																																																																																																																								
17																																																																																																																																																								
18																																																																																																																																																								
<table border="1"> <tr> <td rowspan="10">A</td> <td>SYMBOLS</td> <td colspan="8">THIS DRAWING CONTAINS INFORMATION THAT IS PROPRIETARY TO MOLEX ELECTRONIC TECHNOLOGIES, LLC AND SHOULD NOT BE USED WITHOUT WRITTEN PERMISSION</td> </tr> <tr> <td></td> <td>DIMENSION UNITS</td> <td>SCALE</td> <td colspan="6">CURRENT REV DESC: NOTE 11 ADDED</td> <td rowspan="2"> </td> </tr> <tr> <td></td> <td>mm/in</td> <td></td> <td colspan="6">GENERAL TOLERANCES (UNLESS SPECIFIED)</td> </tr> <tr> <td></td> <td></td> <td></td> <td></td> <td colspan="6">EC NO: 620875</td> </tr> <tr> <td></td> <td>4 PLACES ±</td> <td>MM</td> <td>INCH</td> <td colspan="6">DRWN: KSUTAR 2019/07/18</td> </tr> <tr> <td></td> <td>3 PLACES ±</td> <td></td> <td></td> <td colspan="6">CHK'D: ISHWARG 2019/07/18</td> </tr> <tr> <td></td> <td>2 PLACES ± 0.25 ± 0.015</td> <td></td> <td></td> <td colspan="6">APPR: ISHWARG 2019/07/18</td> </tr> <tr> <td></td> <td>1 PLACE ± 0.38 ±</td> <td></td> <td></td> <td colspan="6">INITIAL REVISION:</td> </tr> <tr> <td></td> <td>0 PLACES ±</td> <td></td> <td></td> <td colspan="6">DRWN: JSCHAFFER 11-07-03</td> </tr> <tr> <td></td> <td>ANGULAR TOL ± 0.5°</td> <td></td> <td></td> <td colspan="6">APPR: MARGULIS 11-17-03</td> </tr> <tr> <td></td> <td>DRAFT WHERE APPLICABLE MUST REMAIN WITHIN DIMENSIONS</td> <td>THIRD ANGLE PROJECTION</td> <td>DRAWING</td> <td>SERIES</td> <td>MATERIAL NUMBER</td> <td>CUSTOMER</td> <td>DOCUMENT NUMBER</td> <td>DOC TYPE</td> <td>DOC PART</td> <td>REVISION</td> </tr> <tr> <td></td> <td></td> <td></td> <td>B-SIZE</td> <td>41792</td> <td>SEE CHART</td> <td>GENERAL MARKET</td> <td>SDA-41792</td> <td>PSD</td> <td>000</td> <td>K7</td> </tr> <tr> <td></td> <td></td> <td></td> <td></td> <td></td> <td></td> <td></td> <td></td> <td></td> <td></td> <td>SHEET NUMBER</td> </tr> <tr> <td></td> <td></td> <td></td> <td></td> <td></td> <td></td> <td></td> <td></td> <td></td> <td></td> <td>7 OF 8</td> </tr> </table>										A	SYMBOLS	THIS DRAWING CONTAINS INFORMATION THAT IS PROPRIETARY TO MOLEX ELECTRONIC TECHNOLOGIES, LLC AND SHOULD NOT BE USED WITHOUT WRITTEN PERMISSION									DIMENSION UNITS	SCALE	CURRENT REV DESC: NOTE 11 ADDED								mm/in		GENERAL TOLERANCES (UNLESS SPECIFIED)										EC NO: 620875							4 PLACES ±	MM	INCH	DRWN: KSUTAR 2019/07/18							3 PLACES ±			CHK'D: ISHWARG 2019/07/18							2 PLACES ± 0.25 ± 0.015			APPR: ISHWARG 2019/07/18							1 PLACE ± 0.38 ±			INITIAL REVISION:							0 PLACES ±			DRWN: JSCHAFFER 11-07-03							ANGULAR TOL ± 0.5°			APPR: MARGULIS 11-17-03							DRAFT WHERE APPLICABLE MUST REMAIN WITHIN DIMENSIONS	THIRD ANGLE PROJECTION	DRAWING	SERIES	MATERIAL NUMBER	CUSTOMER	DOCUMENT NUMBER	DOC TYPE	DOC PART	REVISION				B-SIZE	41792	SEE CHART	GENERAL MARKET	SDA-41792	PSD	000	K7											SHEET NUMBER											7 OF 8
A	SYMBOLS	THIS DRAWING CONTAINS INFORMATION THAT IS PROPRIETARY TO MOLEX ELECTRONIC TECHNOLOGIES, LLC AND SHOULD NOT BE USED WITHOUT WRITTEN PERMISSION																																																																																																																																																						
		DIMENSION UNITS	SCALE	CURRENT REV DESC: NOTE 11 ADDED																																																																																																																																																				
		mm/in		GENERAL TOLERANCES (UNLESS SPECIFIED)																																																																																																																																																				
					EC NO: 620875																																																																																																																																																			
		4 PLACES ±	MM	INCH	DRWN: KSUTAR 2019/07/18																																																																																																																																																			
		3 PLACES ±			CHK'D: ISHWARG 2019/07/18																																																																																																																																																			
		2 PLACES ± 0.25 ± 0.015			APPR: ISHWARG 2019/07/18																																																																																																																																																			
		1 PLACE ± 0.38 ±			INITIAL REVISION:																																																																																																																																																			
		0 PLACES ±			DRWN: JSCHAFFER 11-07-03																																																																																																																																																			
		ANGULAR TOL ± 0.5°			APPR: MARGULIS 11-17-03																																																																																																																																																			
	DRAFT WHERE APPLICABLE MUST REMAIN WITHIN DIMENSIONS	THIRD ANGLE PROJECTION	DRAWING	SERIES	MATERIAL NUMBER	CUSTOMER	DOCUMENT NUMBER	DOC TYPE	DOC PART	REVISION																																																																																																																																														
			B-SIZE	41792	SEE CHART	GENERAL MARKET	SDA-41792	PSD	000	K7																																																																																																																																														
										SHEET NUMBER																																																																																																																																														
										7 OF 8																																																																																																																																														
DOCUMENT STATUS	P1	RELEASE DATE	2019/07/18	08:33:56																																																																																																																																																				

41792

OPTIONS	Group	A-41792-0704	Group		Group		Group	
	Header No:	41790-0005/0018	Header No:		Header No:		Header No:	
	Pin No:	43294-0572	Pin No:		Pin No:		Pin No:	
	Plating:	197 - TIN	Plating:		Plating:		Plating:	
	Pin Length L	27.94 / 1.100	Pin Length L		Pin Length L		Pin Length L	
	Mating M	11.43 / .450	Mating M		Mating M		Mating M	
	Gold Loc G	N/A	Gold Loc G		Gold Loc G		Gold Loc G	
	Height Y	5.41 / .213	Height Y		Height Y		Height Y	
	PC Tail P	3.96/ .156	PC Tail P		PC Tail P		PC Tail P	
	Tin Loc T	OVERALL	Tin Loc T		Tin Loc T		Tin Loc T	
	Voided Ckts	2, 3, 5	Voided Ckts		Voided Ckts		Voided Ckts	
	Pack Per	PK-41792-002	Pack Per		Pack Per		Pack Per	
Ckts	Material No	Engineer Number	Material No	Engineer Number	Material No	Engineer Number	Material No	Engineer Number
2								
3								
4								
5								
6	41792-0704	A-41792-0704						
7								
8								
9								
10								
11								
12								
13								
14								
15								
16								
17								
18								

<b>SYMBOLS</b> ▽ = 0 ▽ = 0 ▽ = 0 ▽ = 0 ▽ = 0 ▽ = 0 ▽ = 0 ▽ = 0 ▽ = 0 ▽ = 0 ▽ = 0	THIS DRAWING CONTAINS INFORMATION THAT IS PROPRIETARY TO MOLEX ELECTRONIC TECHNOLOGIES, LLC AND SHOULD NOT BE USED WITHOUT WRITTEN PERMISSION		DIMENSION UNITS: <b>mm/in</b>		SCALE:		CURRENT REV DESC: NOTE 11 ADDED	
	GENERAL TOLERANCES (UNLESS SPECIFIED)						EC NO: 620875	
	4 PLACES ±		MM		INCH		DRWN: KSUTAR 2019/07/18	
	3 PLACES ±		± 0.25		± 0.015		CHK'D: ISHWARG 2019/07/18	
	2 PLACES ±		± 0.38		±		APPR: ISHWARG 2019/07/18	
	1 PLACE ±		±		±		INITIAL REVISION: DRWN: JSCHAFFER 11-07-03 APPR: MARGULIS 11-17-03	
	0 PLACES ±		±		±		DOCUMENT NUMBER: <b>SDA-41792</b>	
	ANGULAR TOL ± 0.5°		THIRD ANGLE PROJECTION		DRAWING		DOC TYPE: PSD DOC PART: 000 REVISION: K7	
	DRAFT WHERE APPLICABLE MUST REMAIN WITHIN DIMENSIONS		B-SIZE 41792		MATERIAL NUMBER: SEE CHART		CUSTOMER: GENERAL MARKET	
					SHEET NUMBER: 8 OF 8			



KK .156 HEADER ASSEMBLY  
FRICTION LOCK RIGHT ANGLE W/O PEGS

PRODUCT CUSTOMER DRAWING

## Looking for pricing, stock, or lifecycle information?

Click below to explore more details on WIN SOURCE:

 [View 26605030 on WIN SOURCE](#)

 [Molex, LLC Information](#)

## Optimize Your Supply Chain with WIN SOURCE Solutions

-  Global Sourcing Solution
-  Obsolete Management
-  Cost Control Management
-  Shortage Management
-  Alternative Solution
-  Excess Inventory Management