

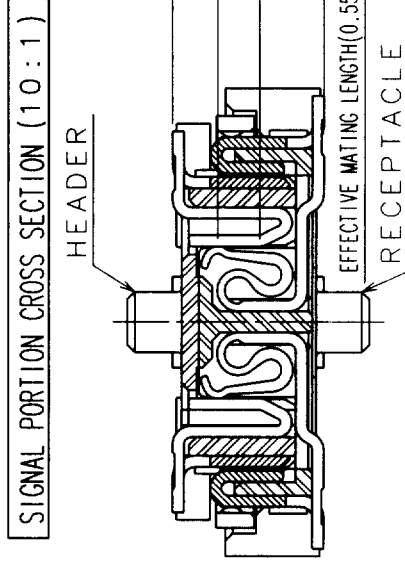
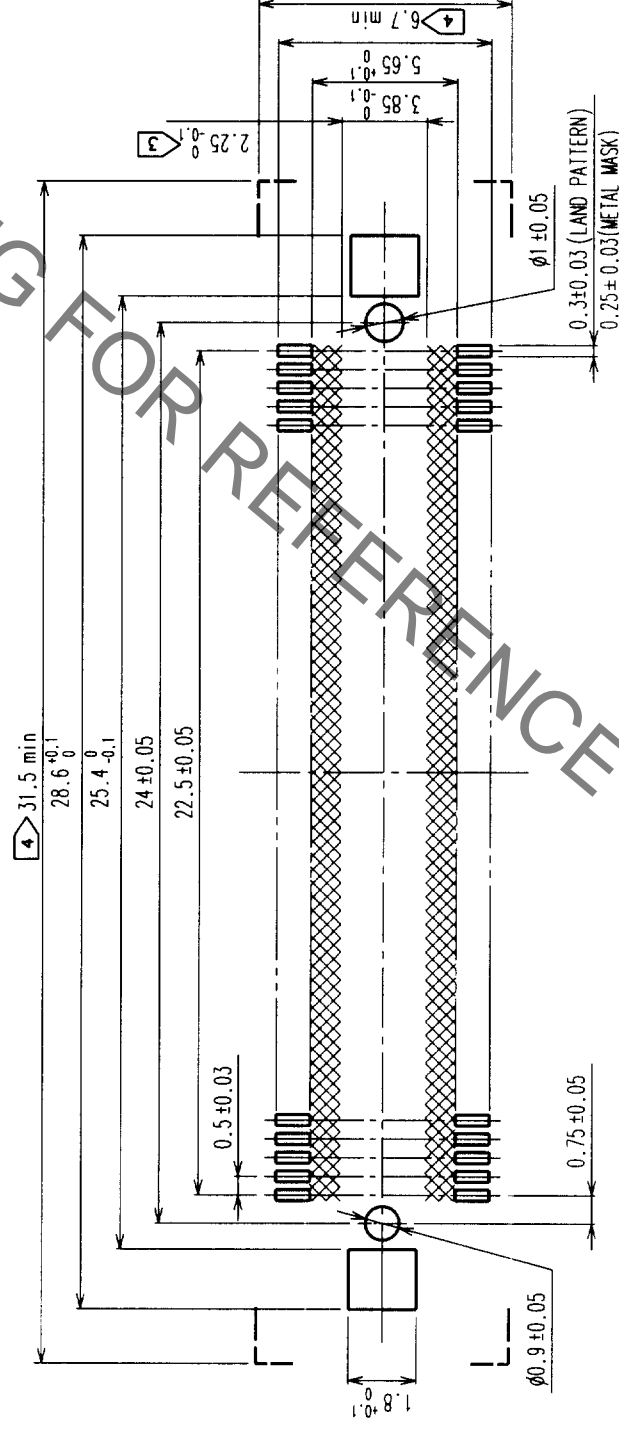


**THE DATASHEET OF  
FX11LA-92P-SV(21)**





RECOMMENDED LAND PATTERN DIMENSION OF PCB



- NOTES
- 1 SMT LEAD-COPLANARITY: 0.1 MAX.
  - 2 THIS PRODUCT HAS NO POLARITY TO PATTERN FOR MOUNTING.
  - 3 MAKE SURE WIDTH OF PATTERN IS WITHIN THAT OF LAND ,OR LEAD MAY TOUCH PATTERN. (THIS APPLIES TO HATCHED AREA.)
  - 4 DO NOT MOUNT OTHER DEVICES ONTO [ ] AREA ,OR MATING PAIR CANNOT BE MATED.
  - 5 TO BE EMBOSSED CARRIER TAPED AS SPECIFIED IN SHEET 2.

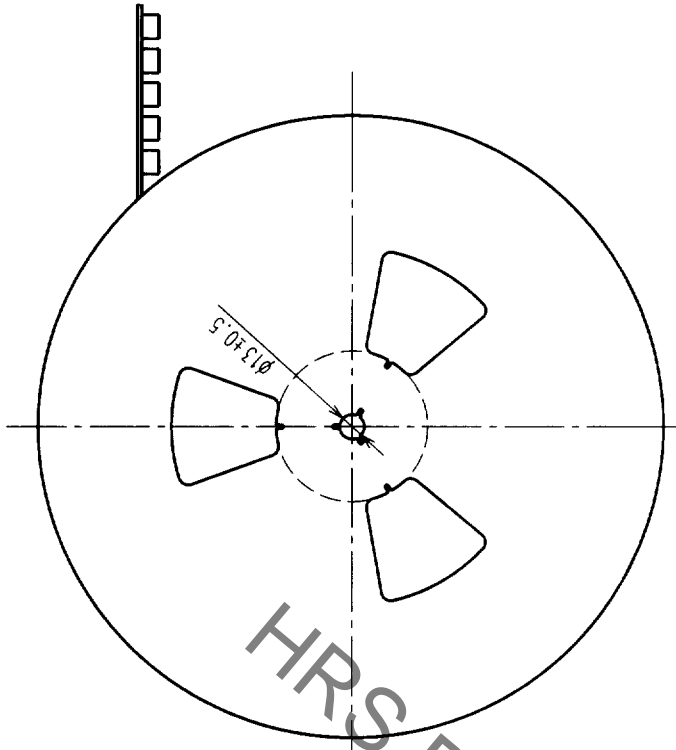
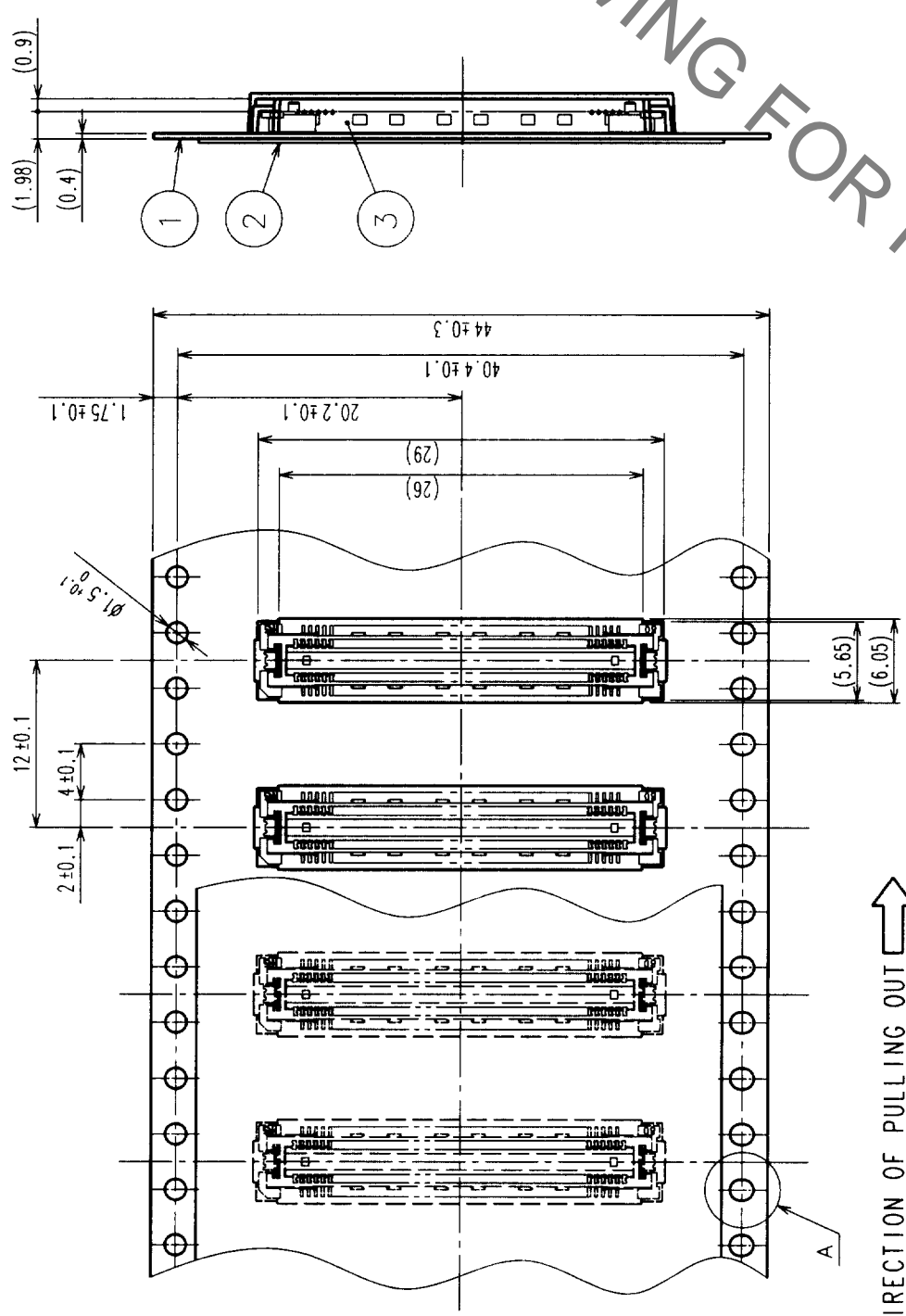
COUNT	DESCRIPTION OF REVISIONS	BY	CHKD	DATE	COUNT	DESCRIPTION OF REVISIONS	BY	CHKD	DATE
0					0				
0					0				
0					0				

NO.	COPPER ALLOY	CONTACT AREA: GOLD (0.1µm) OVER NICKEL	LEAD: GOLD FLASH OVER NICKEL	FINISH	REMARKS	NO.	PHOSPHOR BRONZE	TIN	PLATED	FINISH	REMARKS	
2	COPPER ALLOY					3						
1	LCP			BEIGE	UL94V-0							
	CODE NO. (OLD)	CL										
	DRAWN	M. Saitoh		DESIGNED	M. Saitoh		CHECKED	M. Saitoh		APPROVED	M. Saitoh	
	SCALE	5 : 1										
	UNITS	mm										
	DRAWING NO.	EDC3-152101-01										
	PART NO.	FX11LA-92P-SV (21)										
	CODE NO.	CL573-0043-4-21										

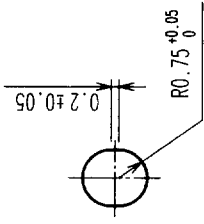
TO  
PCK

COUNT	DESCRIPTION OF REVISIONS	BY	CHKD	DATE	COUNT	DESCRIPTION OF REVISIONS	BY	CHKD	DATE
△					△				
△					△				
△					△				

REELED DIMENSION (Free)



A (5:1)



- NOTES
- 1 REEL: 1000 CONNECTORS.
  - 2 MINIMUM 10 COMPARTMENTS FROM BOTH REEL ENDS REMAIN EMPTY.
  - 3 THIS PRODUCT HAS NO POLARITY TO TAPE AND REEL PACKAGING.

2		TOP COVER TAPE		3		(CONNECTOR)	
1		EMBOSSED CARRIER TAPE		3			
NO.	MATERIAL	FINISH, REMARKS	NO.	MATERIAL	FINISH, REMARKS	NO.	MATERIAL
CODE NO. (OLD)		DRAWN		DESIGNED		CHECKED	
CL		Hirose Electric Co., Ltd. 99.10.25 99.10.25		Hirose Electric Co., Ltd. 99.10.25 99.10.26		Hirose Electric Co., Ltd. 99.10.26 99.10.26	
DRAWING FOR PACKING		DRAWING NO.		PART NO.		FINISH, REMARKS	
SCALE		EDC3-152101-01		FX11LA-92P-SV(21)			
UNITS		2 : 1		CODE NO.		CL573-0043-4-21	
		HIRSE		HIROSE ELECTRIC CO., LTD			

TO	
PCK	

## Looking for pricing, stock, or lifecycle information?

Click below to explore more details on WIN SOURCE:

[View FX11LA-92P-SV\(21\) on WIN SOURCE](#)

[Hirose Electric Co Ltd Information](#)

## Optimize Your Supply Chain with WIN SOURCE Solutions

- ✓ Global Sourcing Solution
- ✓ Obsolete Management
- ✓ Cost Control Management
- ✓ Shortage Management
- ✓ Alternative Solution
- ✓ Excess Inventory Management