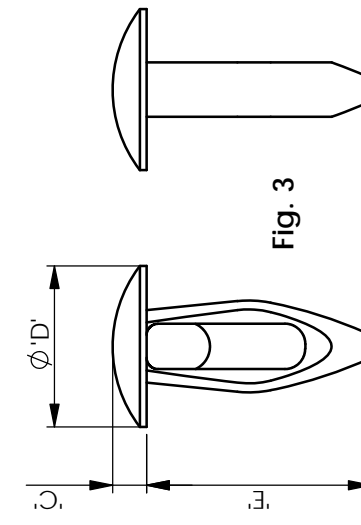
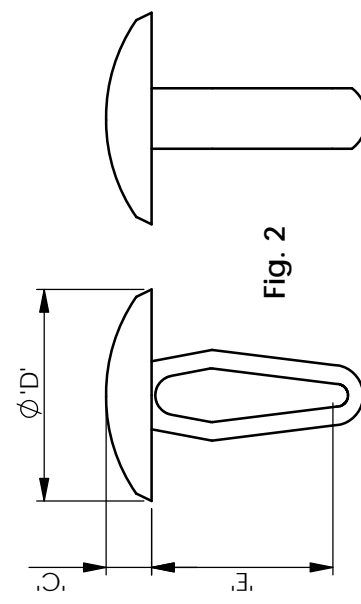
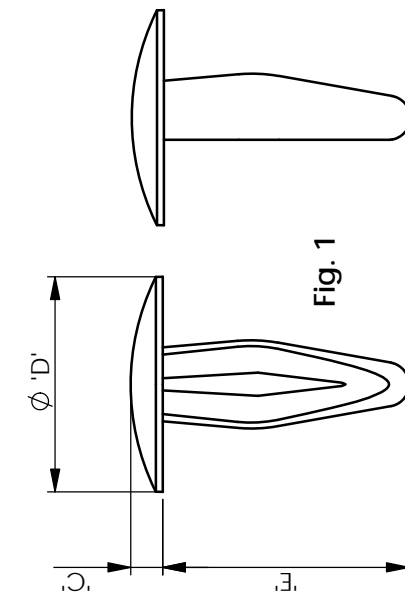




**THE DATASHEET OF
MMB-250-01BK**



Material: Nylon 6/6 UL94 V2 RMS-01		Material: Nylon 6/6 UL94 V0 RMS-19		Mounting Hole Dia	Total Holding Thickness	'C'	'D' Dia	'E'	Fig
Colour: Natural	Colour: Black	Colour: Natural	Colour: Black						
MMB-125-01	MMB-125-01BK	MMB-125-19	MMB-125-19BK	3.10 - 3.22	2.0 - 2.5	1.0	6.9	8.4	1
MMB-136-01	MMB-136-01BK	MMB-136-19	MMB-136-19BK	3.32 - 3.58	2.9 - 4.0	1.7	10.3	11.1	
MMB-187-01	MMB-187-01BK	MMB-187-19	MMB-187-19BK	4.61 - 4.88	2.5 - 4.0	2.2	12.7	10.9	
MMB-250-01	MMB-250-01BK	MMB-250-19	MMB-250-19BK	6.27 - 6.42	2.5 - 5.6	2.2	12.7	16.3	2
MMB-210-01	MMB-210-01BK	MMB-210-19	MMB-210-19BK	5.0 - 5.4	2.5 - 4.0	3.0	14	14	
MMB-130-01	MMB-130-01BK	MMB-130-19	MMB-130-19BK	3.3 - 3.4	1.6 - 3.2	1.5	7.1	9.9	3
MMB-132-01	MMB-132-01BK	MMB-132-19	MMB-132-19BK	5.4 - 5.6	1.6 - 3.2	1.5	9.4	11.5	



INFOR
RICHIC
REPRC

RICHIC
WWW.RICHIC.COM

MATERIAL: SEE
DESCRIPTION MINI

DRG No: 05

DRN
NJB

A B C D

Looking for pricing, stock, or lifecycle information?

Click below to explore more details on WIN SOURCE:

- ⊖ [View MMB-250-01BK on WIN SOURCE](#)
- ⊖ [Essentra Components Information](#)

Optimize Your Supply Chain with WIN SOURCE Solutions

- ✓ Global Sourcing Solution
- ✓ Obsolete Management
- ✓ Cost Control Management
- ✓ Shortage Management
- ✓ Alternative Solution
- ✓ Excess Inventory Management