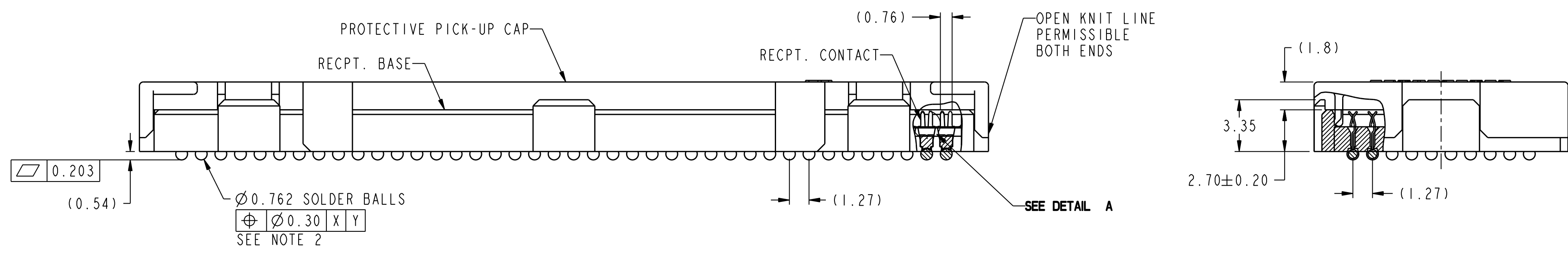
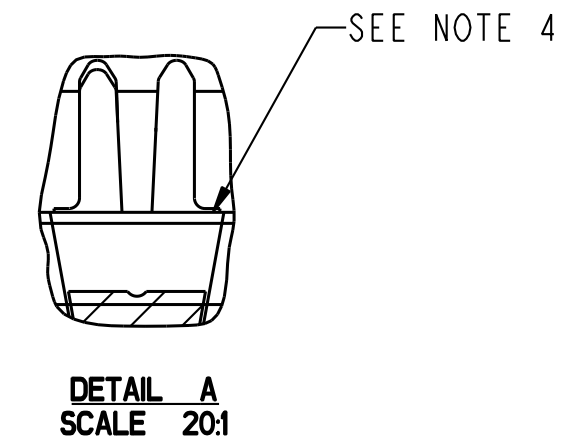
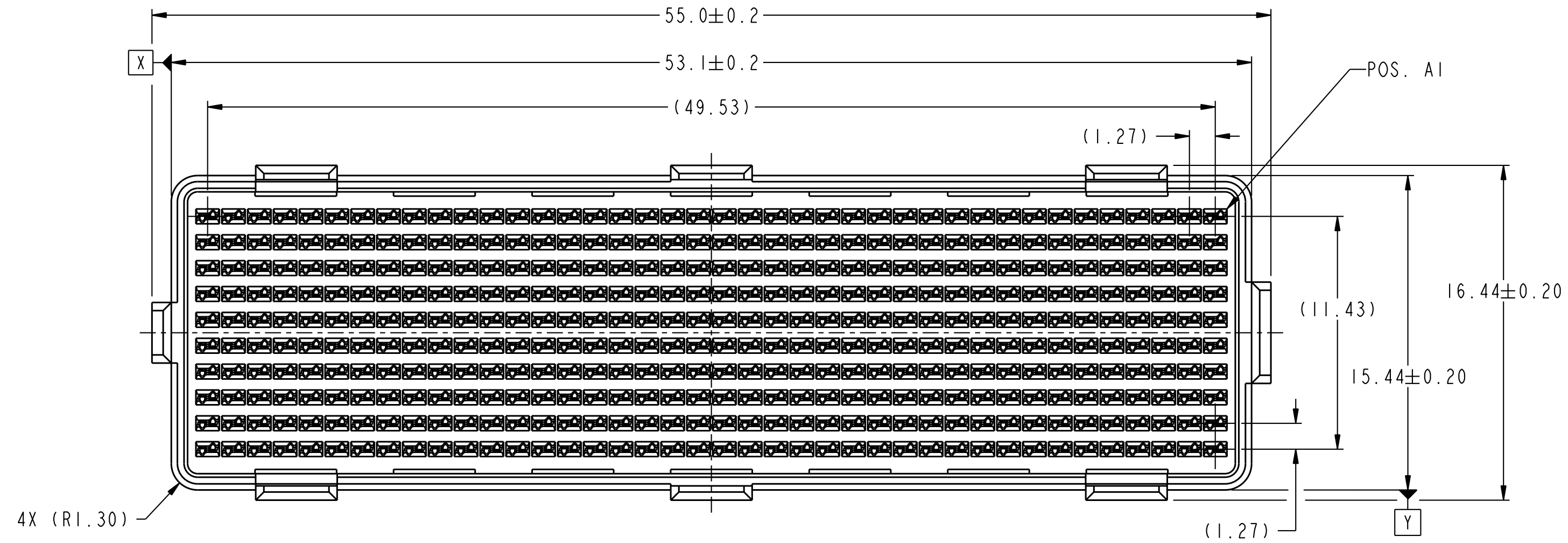


PRODUCT NUMBER
SEE TABLE-SHEET 3

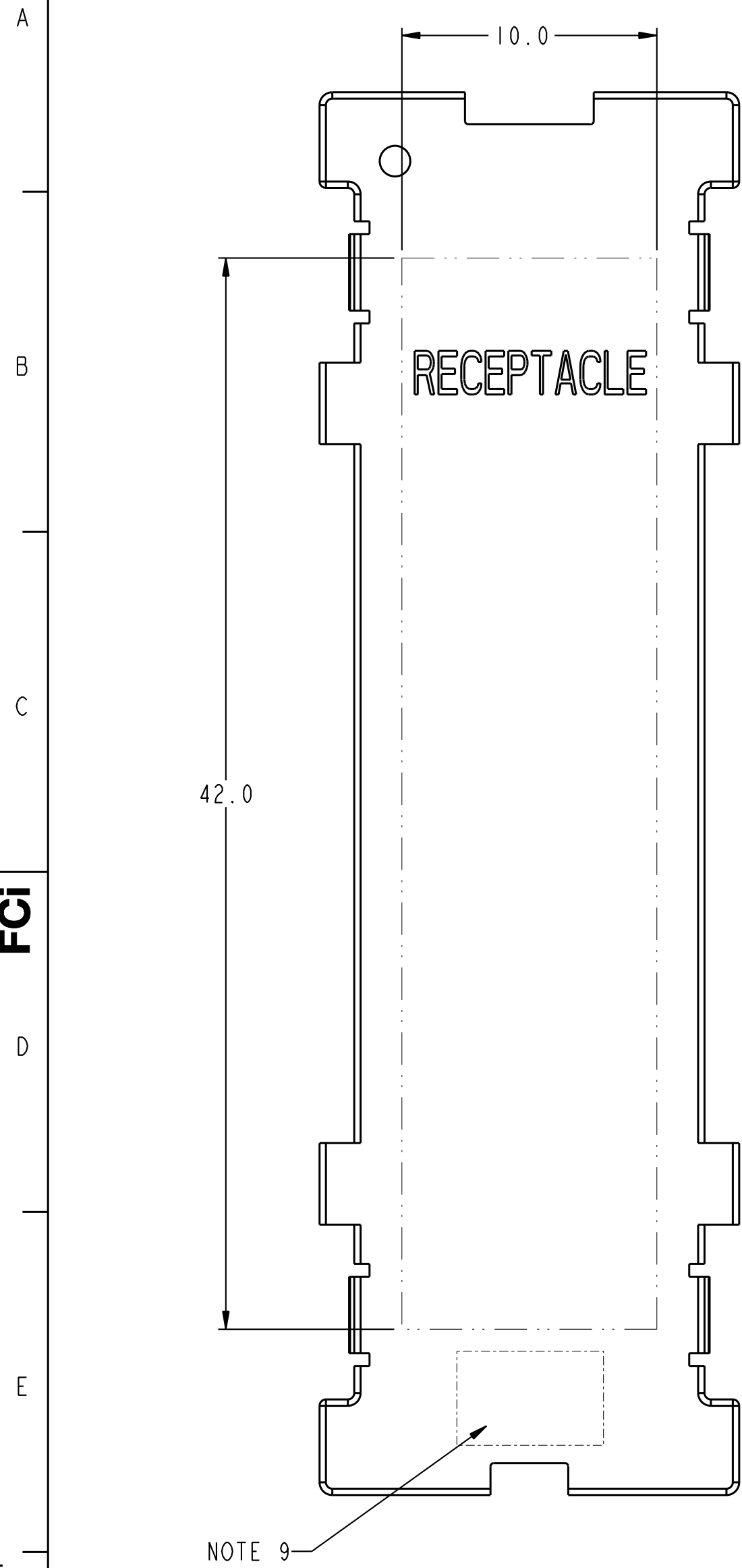


spec ref	-	dr	Chougale, Nand	2019/02/15	projection	MM	size	A2	scale	5:1				
tolerance std	ASME Y14.5	eng	Robert Brown	2019/02/16			ecn no	ELX-V-32687-1	rel level	Released				
TOLERANCES UNLESS OTHERWISE SPECIFIED		chr	-	app							John Ravert	2019/02/15	product family	MEG-ARRAY
surface	ASME Y14.5	linear	0.X	± 0.3							0.XX	± 0.13	0.XXX	± 0.050
		Amphenol FCI			4mm RECEPTACLE ASSEMBLY		cat. no.	74221	Product - Customer Draw	sheet 1 of 4				

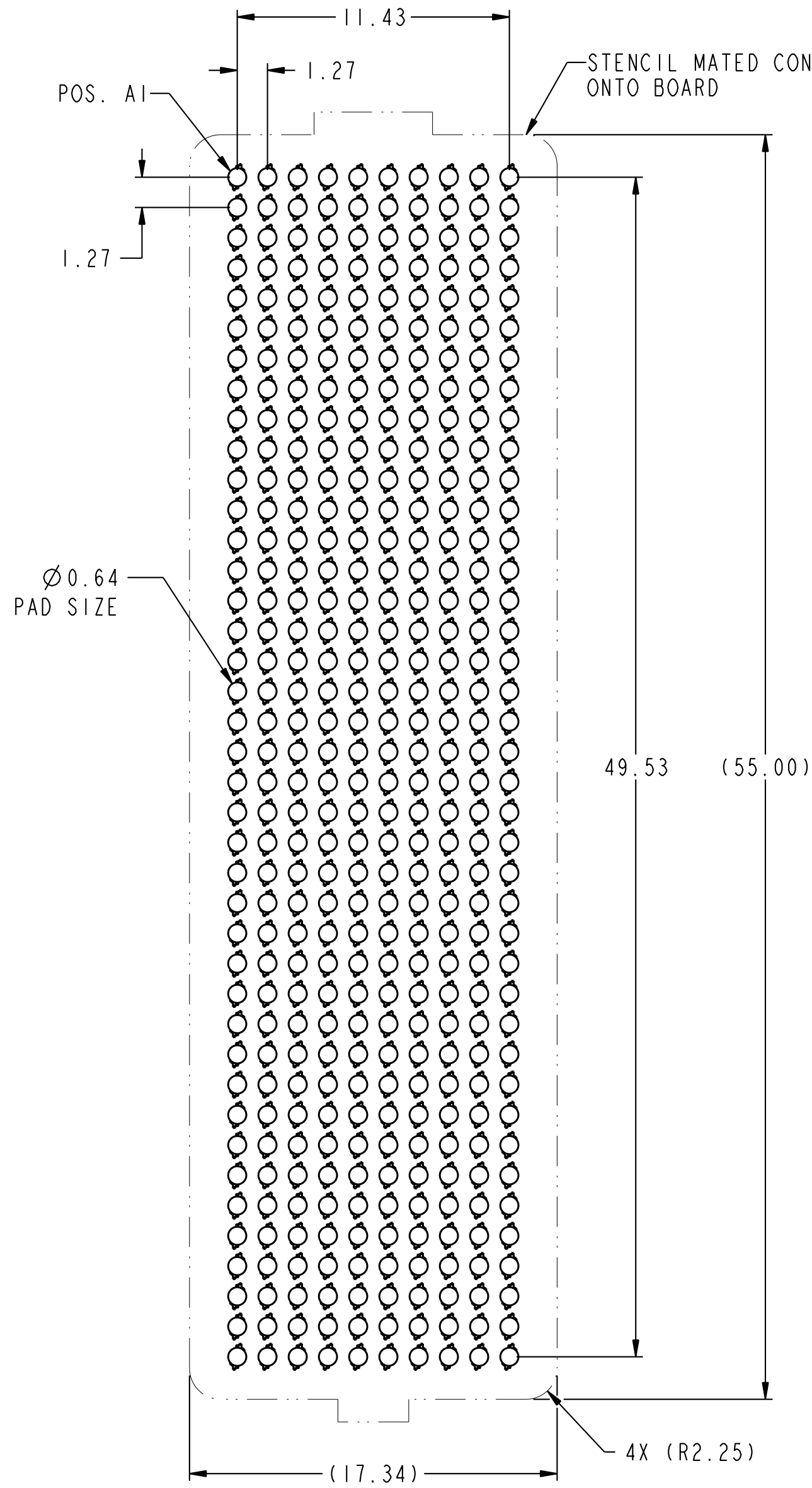
Amphenol FCI

© 2016 APCI

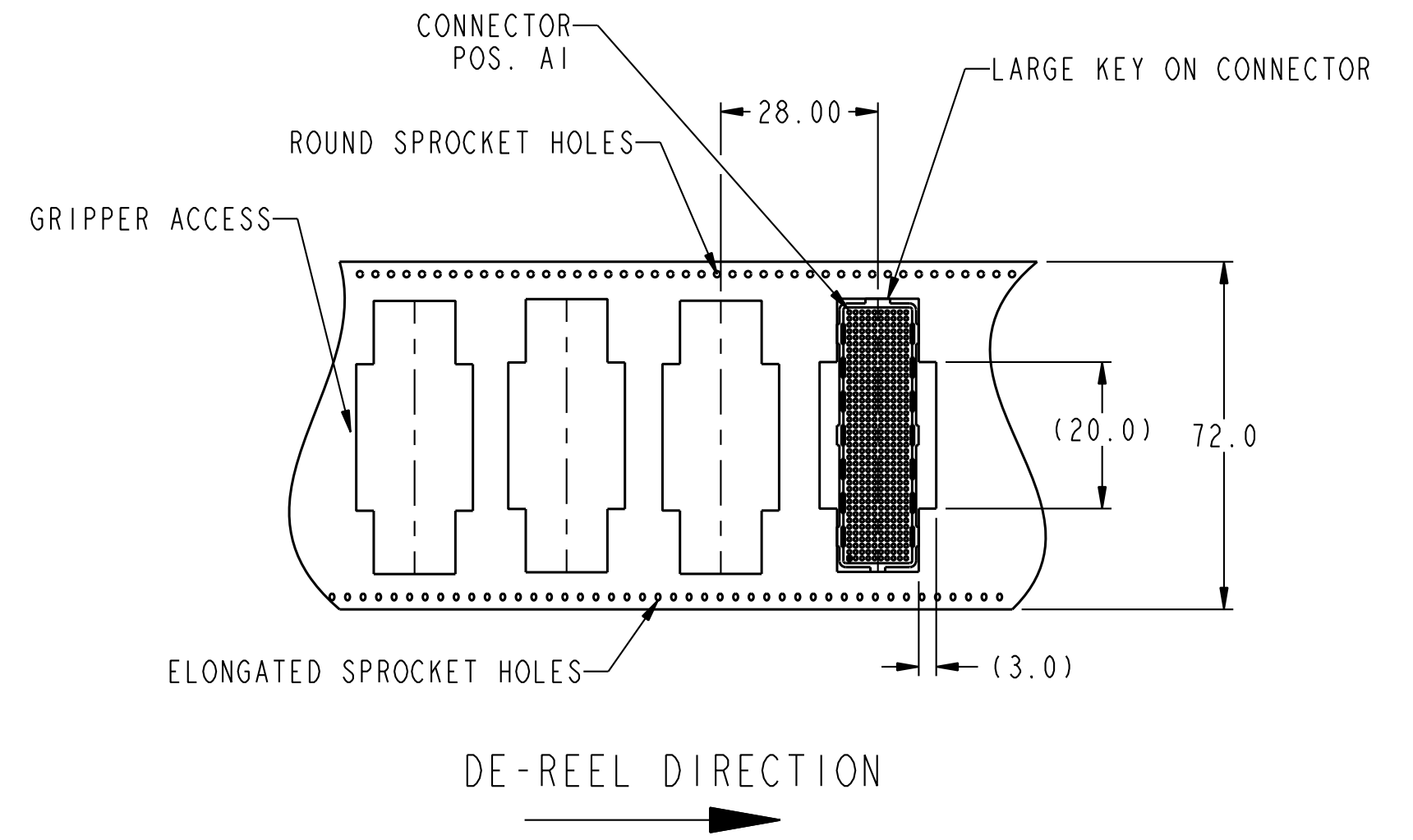
PRODUCT NUMBER
SEE TABLE-SHEET 3



FLAT AREA FOR
PICK-UP CAP



BOARD PATTERN



TAPE & REEL PACKAGING
PER EIA 481-3

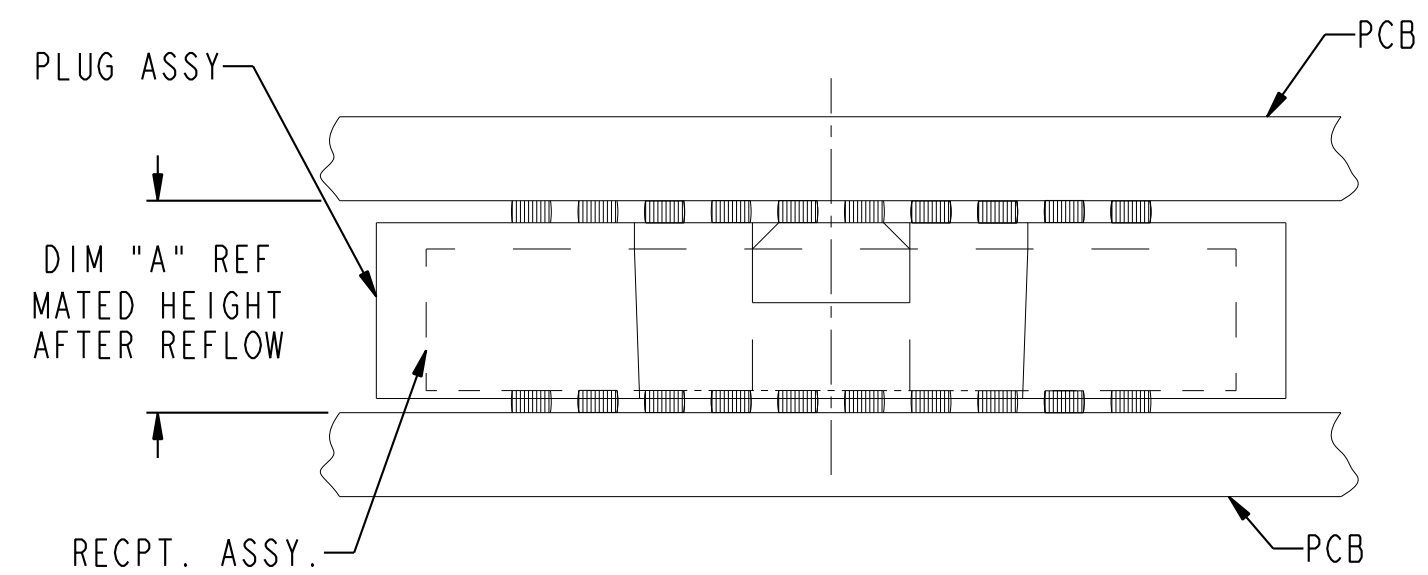
spec ref	-			dr	Chougale, Nand	2018/02/15	projection	MM	size	A2	scale	5:1		
tolerance std	ASME Y14.5			eng	Robert Brown	2019/02/16			ecn no	ELX-V-32687-1				
TOLERANCES UNLESS OTHERWISE SPECIFIED				chr	-				rel level	Released				
surface	linear	0.X	± 0.3	appr	John Ravert	2019/02/15	product family	MEG-ARRAY		rel level	Released			
		0.XX	± 0.13	Amphenol FCI				title	4mm RECEPTACLE ASSEMBLY		diag no	74221	rev	U
		0.XXX	± 0.050					part no	10 X 40 = 400 POSITIONS		cat. no.	Product - Customer Drw		sheet 2 of 4
ASME Y14.5	angular	0°	$\pm 2^\circ$											

PDS: Rev :U

STATUS:Released

Printed: Feb 16, 2019

PRODUCT NUMBER	PIC-UP CAP	CONTACT PLATING	SOLDER BALLS	NOTES
74221-001	YES	15μ" (0.38μm) Au	SnPb	-
74221-001LF	YES	15μ" (0.38μm) Au	SnAgCu LEAD FREE	7
74221-091	YES	15μ" (0.38μm) GXT	SnPb	-
74221-091LF	YES	15μ" (0.38μm) GXT	SnAgCu LEAD FREE	7
74221-101	YES	30μ" (0.76μm) Au	SnPb	-
74221-101LF	YES	30μ" (0.76μm) Au	SnAgCu LEAD FREE	7
74221-191	YES	30μ" (0.76μm) GXT	SnPb	-
74221-191LF	YES	30μ" (0.76μm) GXT	SnAgCu LEAD FREE	7
74221-201	YES	Au SPECIAL	SnPb	5
74221-201LF	YES	Au SPECIAL	SnAgCu LEAD FREE	5 AND 7
74221-291	YES	GXT SPECIAL	SnPb	5
74221-291LF	YES	GXT SPECIAL	SnAgCu LEAD FREE	5 AND 7
74221-A01	YES	30μ" (0.76μm) Au SPECIAL	SnPb	8
74221-A01LF	YES	30μ" (0.76μm) Au SPECIAL	SnAgCu LEAD FREE	7 AND 8



MATED HEIGHT TABLE		
DIM. A	PLUG ASSY. P/N	RECPT. ASSY. P/N
4.0	84740	74221
10.0	84520	74221

MATED HEIGHT AFTER REFLOW IS BASED ON Ø 0.64mm PAD (METAL-DEFINED) AND 0.13mm SOLDER PASTE STENCIL THICKNESS. SEE NOTE 3

END VIEW - MATED CONNECTORS

spec ref	-	dr	Chougale, Nand	2019/02/15	projection	MM	size	A2	scale	3:1				
tolerance std	ASME Y14.5	eng	Robert Brown	2019/02/16			ecn no	ELX-V-32687-1	rel level	Released				
TOLERANCES UNLESS OTHERWISE SPECIFIED		chr	-	apppr							John Ravert	2019/02/15	product family	MEG-ARRAY
surface	ASME Y14.5	linear	0.X ±0.3 0.XX ±0.13 0.XXX ±0.050	angular							0° ±2°	Amphenol FCI	4mm RECEPTACLE ASSEMBLY	10 X 40 = 400 POSITIONS
cat. no.		Product - Customer Drw			sheet 3 of 4									

PDS: Rev :U


STATUS:Released

Printed: Feb 16, 2019

PRODUCT NUMBER
SEE TABLE-SHEET 3

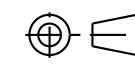
NOTES:

- ① MATERIAL:
HOUSING: LCP, MEETS UL94 V-0 OR BETTER.
CONTACT: COPPER ALLOY

PLATING:
CONTACT: (SEE TABLE ON SHEET 3)
SOLDER BALL: (SEE TABLE ON SHEET 3)
EUTECTIC SnPb OR LEAD FREE
95.5Sn/4Ag/0.5Cu
- ② SOLDER BALLS WILL NOT HAVE PERFECT SPHERICAL SHAPES DUE TO REFLOW ATTACHMENT.
- ③ MATED HEIGHT EFFECTED BY CUSTOMER'S PCB PAD SIZE, PLATING SOLDER REFLOW PROFILE & SOLDER PASTE.
- ④ NO TIN/LEAD OR FLUX ABOVE TERMINAL SHOULDER.
- ⑤ PLATING FOR -2XX SERIES DASH NOS. MEETS THE REQUIREMENTS OF GR-1217-CORE, CENTRAL OFFICE ENVIRONMENT, (25 YEAR LIFE EXPECTANCY).
- ⑥ FOR PROPER APPLICATION FOLLOW AFCI APPLICATION SPECIFICATION GS-20-033. LEAD FREE SOLDER BALLS WILL NOT SOLDER PROPERLY IN A LEADED SOLDER PROCESS DUE TO A HIGHER REFLOW TEMPERATURE. LEAD FREE PRODUCT IS THEREFORE NOT BACKWARDS COMPATIBLE WITH LEADED OR SOME SOLDERING APPLICATIONS. REFERENCE AFCI APPLICATION SPECIFICATION.
- ⑦ THIS PRODUCT MEETS EUROPEAN UNION DIRECTIVES AND OTHER COUNTRY REGULATIONS AS DESCRIBED IN GS-47-0004 PRODUCT MEETING THIS DIRECTIVE IS IDENTIFIED IN THE LOT CODE NUMBER MARKED ON EACH PART BY HAVING AN "X" IN THE SEVENTH CHARACTER POSITION.
- ⑧ 74221-A01, -A01LF HAVE CUSTOMER SPECIAL PLATING.
- ⑨ CURRENT COMPANY LOGO TO BE VISIBLE IN APPROXIMATE AREA SHOWN.
10. A  SYMBOL WILL BE NEXT TO ANY DIMENSION, NEW VIEW, OR NOTE WHICH HAS BEEN MODIFIED WITH THE CURRENT DRAWING REVISION.
11. -301, -301LF, -401, -401LF, -501, -501LF ARE OBOSOLETE AND REMOVED FROM THE PRODUCT NUMBER TABLE.

Amphenol
FCi

© 2016 AFCI

spec ref		-		dr	Chougale, Nand	2019/02/15	projection	MM	size	A2	scale	3:1	
tolerance std		ASME Y14.5		eng	Robert Brown	2019/02/16		←	ecn no		ELX-V-32687-1		
TOLERANCES UNLESS OTHERWISE SPECIFIED				chr	-	rel level			Released				
surface		linear	0.X ±0.3 0.XX ±0.13 0.XXX ±0.050	appr	John Ravert	2019/02/15	product family	MEG-ARRAY		diag no	74221	rev	U
ASME Y14.5		angular	0° ±2°	Amphenol FCi		4mm RECEPTACLE ASSEMBLY		10 X 40 = 400 POSITIONS		cat. no.		Product - Customer Drw	sheet 4 of 4

PDS: Rev :U

STATUS:Released

Printed: Feb 16, 2019

Looking for pricing, stock, or lifecycle information?

Click below to explore more details on WIN SOURCE:

 [View 74221-291 on WIN SOURCE](#)

 [Amphenol FCI Information](#)

Optimize Your Supply Chain with WIN SOURCE Solutions

-  Global Sourcing Solution
-  Obsolete Management
-  Cost Control Management
-  Shortage Management
-  Alternative Solution
-  Excess Inventory Management