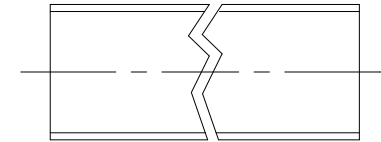
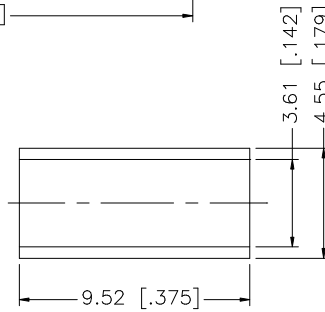
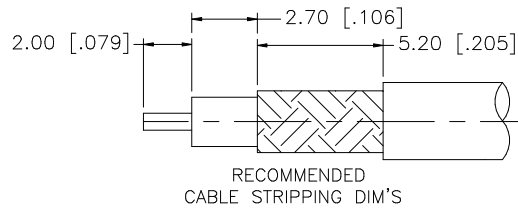
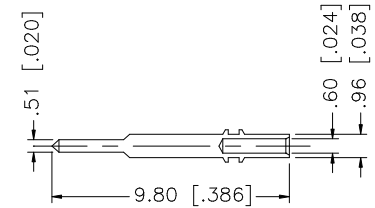
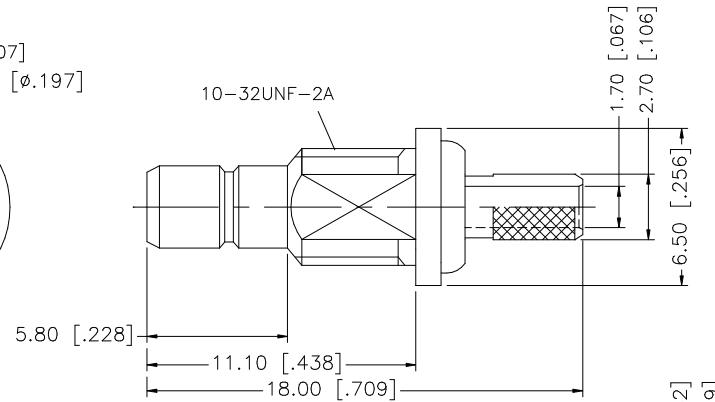
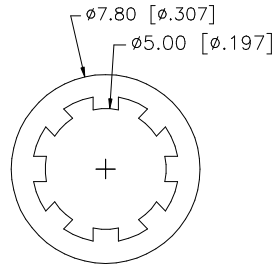
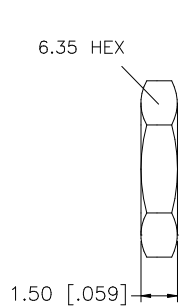
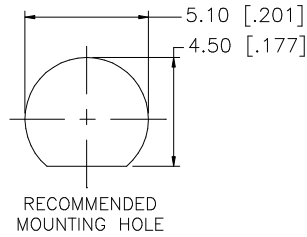




THE DATASHEET OF
142180



REV.	DATE	DESCRIPTION
NC	01/25/99	INITIAL RELEASE
A	07/28/06	UPDATE DRAWING FORMAT



NOTE:

1. CRIMPED FERRULE HEX CRIMP SIZE .151"
2. CRIMPED CONTACT PIN SQ. CRIMP SIZE 0.7mm

QTY	DESCRIPTION	MATERIAL	FINISH	DO NOT SCALE DRAWING	APPROVALS	DATE	Amphenol Connex				
8					DRAWN	G.R.S.	07/28/06	PART DESCRIPTION SMB BULKHEAD CRIMP JACK (FOR RG-316U/D CABLE)			
7	HEAT SHRINK TUBE				CHECKED						
5	FERRULE	COPPER	NICKEL	1	ISSUED			DWG. NO. 142180.DWG			
6	HEX NUT	BRASS	NICKEL	1	SHEET	1 OF 1					
4	LOCK WASHER	BRASS	NICKEL	1	CAD FILE C:/142/142180.DWG						
3	CONTACT PIN	BRASS	GOLD	1							
2	INSULATOR	TEFLON	NATURAL	1							
1	BODY	BRASS	NICKEL	1							



UNLESS OTHERWISE SPECIFIED DIMENSIONS ARE IN MILLIMETERS. DIMENSIONS IN [] ARE IN INCHES AND FOR CUSTOMER REFERENCE ONLY.

UNLESS OTHERWISE SPECIFIED TOLERANCES FOR MILLIMETERS ARE:
0.5 - 8mm ± 0.20mm
8 - 30mm ± 0.40mm
30 - 120mm ± 0.50mm

UNLESS OTHERWISE SPECIFIED TOLERANCES FOR INCHES ARE:
.020 - .315 = ± 0.007"
.315 - 1.180 = ± 0.015"
1.180 - 4.724 = ± 0.020"

Looking for pricing, stock, or lifecycle information?

Click below to explore more details on WIN SOURCE:

-  [View 142180 on WIN SOURCE](#)
-  [Amphenol-RF Division Information](#)

Optimize Your Supply Chain with WIN SOURCE Solutions

-  Global Sourcing Solution
-  Obsolete Management
-  Cost Control Management
-  Shortage Management
-  Alternative Solution
-  Excess Inventory Management