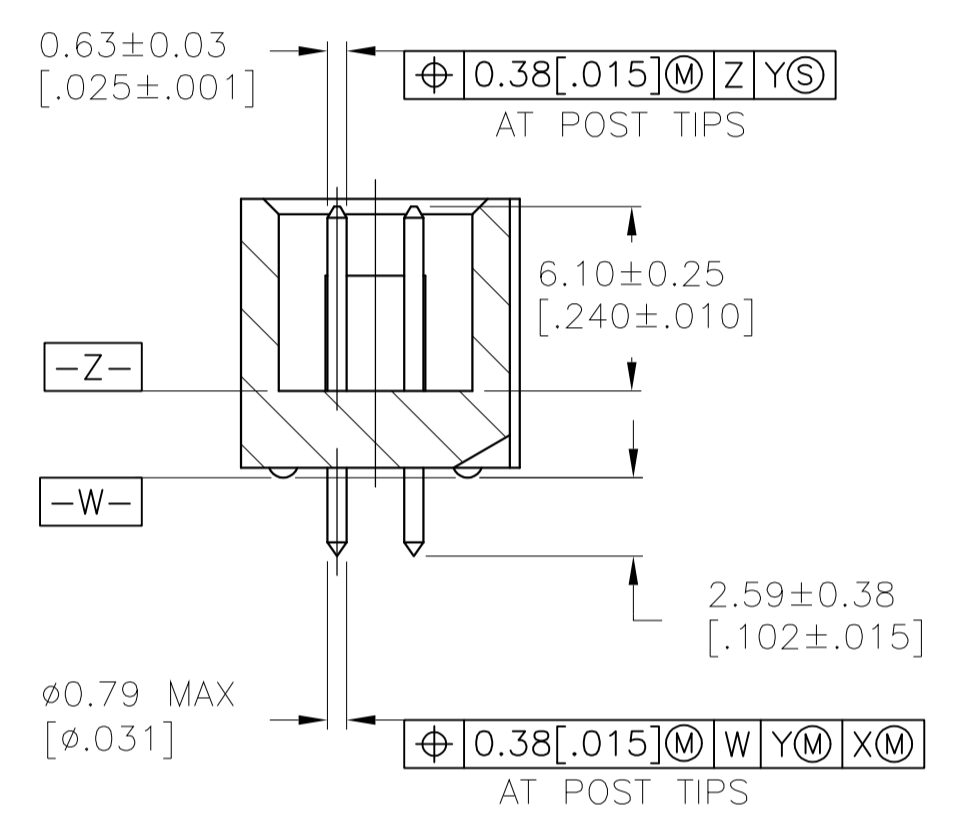
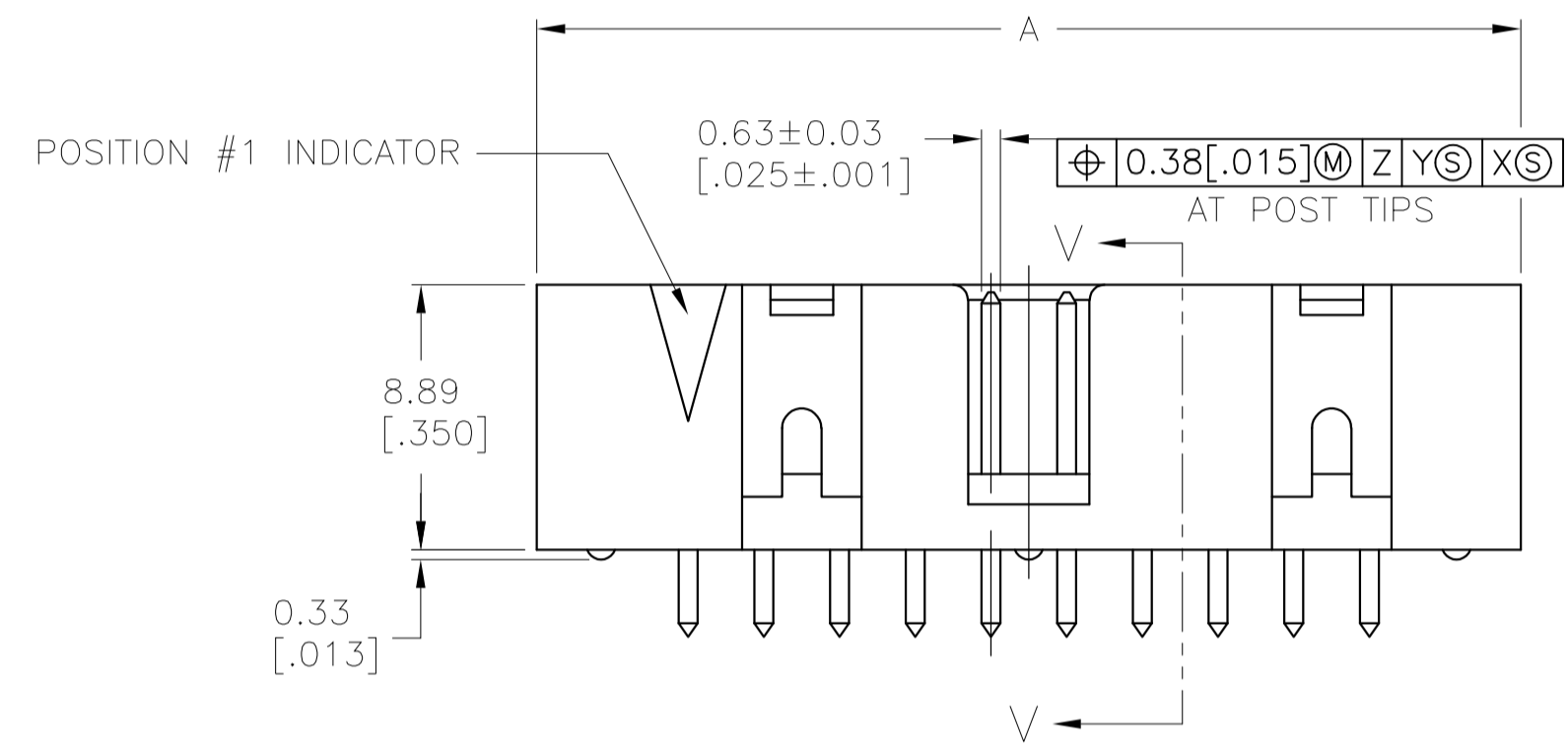
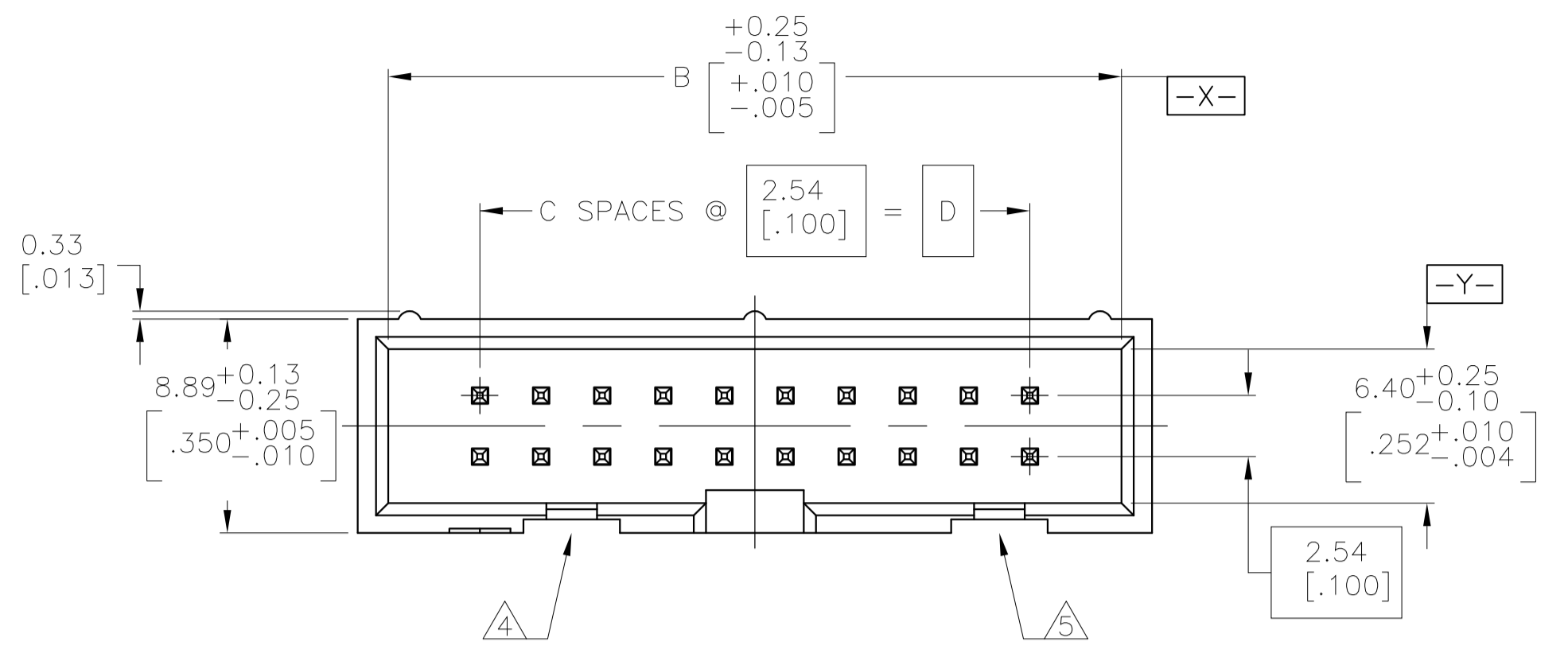


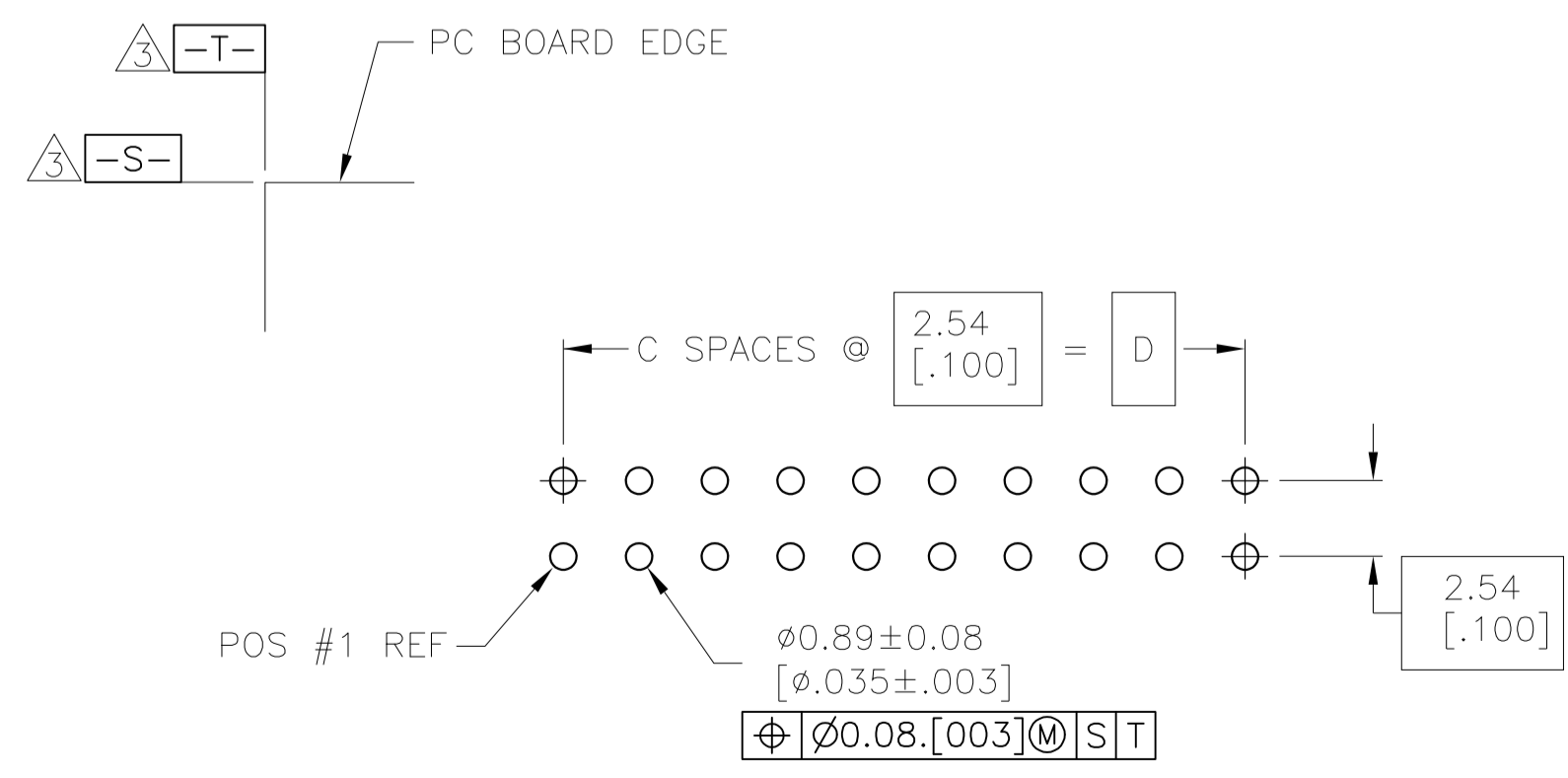


THE DATASHEET OF
2-1761603-6





SECTION V-V



RECOMMENDED PC BOARD LAYOUT (VIEWED FROM CONNECTOR SIDE)

- 1 HOUSING: PBT, UL94V-0, COLOR: SEE TABLE.
- 2 POSTS: PHOSPHOR BRONZE.
- 3 POSTS: 0.00076[.000030] MIN GOLD ON MATING AREA, 0.00254[.000100] MIN TIN ON SOLDER END, ALL OVER 0.00127[.000050] MIN NICKEL ON ENTIRE POST.
- 4 DATUMS S & T TO BE ESTABLISHED BY CUSTOMER.
- 5 NO KEYING SLOT ON THIS END FOR 6, 8, 10, 12 & 14 POSITION ASSEMBLIES.
- 6 NO KEYING SLOT ON THIS END FOR 6, 8 & 10 POSITION ASSEMBLIES.

Color	Length (mm)	Length (in)	Position	Length (mm)	Length (in)	Position	Part Number
BLUE	78.74	[3.100]	31	86.36	[3.400]	64	3-1761603-7
OBSOLETE	BLUE	73.66	29	81.28	[3.200]	60	3-1761603-6
BLUE	60.96	[2.400]	24	68.58	[2.700]	50	3-1761603-5
BLUE	53.34	[2.100]	21	60.96	[2.400]	44	3-1761603-4
BLUE	48.26	[1.900]	19	55.88	[2.200]	40	3-1761603-3
BLUE	43.18	[1.700]	17	50.80	[2.000]	36	3-1761603-2
BLUE	40.64	[1.600]	16	48.26	[1.900]	34	3-1761603-1
BLUE	35.56	[1.400]	14	43.18	[1.700]	30	3-1761603-0
BLUE	30.48	[1.200]	12	38.10	[1.500]	26	2-1761603-9
BLUE	27.94	[1.100]	11	35.56	[1.400]	24	2-1761603-8
BLUE	22.86	[.900]	9	30.48	[1.200]	20	2-1761603-7
BLUE	17.78	[.700]	7	25.40	[1.000]	16	2-1761603-6
BLUE	15.24	[.600]	6	22.86	[.900]	14	2-1761603-5
BLUE	12.70	[.500]	5	20.32	[.800]	12	2-1761603-4
BLUE	10.16	[.400]	4	17.78	[.700]	10	2-1761603-3
OBSOLETE	BLUE	7.62	3	15.24	[.600]	8	2-1761603-2
BLUE	5.08	[.200]	2	12.70	[.500]	6	2-1761603-1
OBSOLETE	BLACK	73.66	29	81.28	[3.200]	60	1-1761603-6
OBSOLETE	BLACK	60.96	24	68.58	[2.700]	50	1-1761603-5
OBSOLETE	BLACK	48.26	19	55.88	[2.200]	40	1-1761603-3
OBSOLETE	BLACK	40.64	16	48.26	[1.900]	34	1-1761603-1
OBSOLETE	BLACK	35.56	14	43.18	[1.700]	30	1-1761603-0
OBSOLETE	BLACK	30.48	12	38.10	[1.500]	26	1761603-9
OBSOLETE	BLACK	22.86	9	30.48	[1.200]	20	1761603-7
OBSOLETE	BLACK	17.78	7	25.40	[1.000]	16	1761603-6
OBSOLETE	BLACK	15.24	6	22.86	[.900]	14	1761603-5
OBSOLETE	BLACK	10.16	4	17.78	[.700]	10	1761603-3
OBSOLETE	PART NUMBER	D	C	B	A	NO OF POS	PART NUMBER

THIS DRAWING IS A CONTROLLED DOCUMENT.

APPROVED: M. WALMSLEY

DATE: 11MAR11

SCALE: 4:1

SHEET 1 OF 1

REV B1


CUSTOMER DRAWING

TE Connectivity

HEADER ASSEMBLY, VERTICAL, LOW PROFILE, IDC

Looking for pricing, stock, or lifecycle information?

Click below to explore more details on WIN SOURCE:

 [View 2-1761603-6 on WIN SOURCE](#)

 [TE Connectivity](#) Information

Optimize Your Supply Chain with WIN SOURCE Solutions

-  Global Sourcing Solution
-  Obsolete Management
-  Cost Control Management
-  Shortage Management
-  Alternative Solution
-  Excess Inventory Management